

ASSEMBLY INSTRUCTIONS COASTER FINE FURNITURE



Fine Furniture for every stage of life

100730 BAR TABLE

REVISION 0:06/16/2020
REVISION 1:08/04/2022
REVISION 2:11/29/2024

COASTERFURNITURE.COM

ITEM :100730
ASSEMBLY INSTRUCTIONS



ASSEMBLY TIPS:

1. Remove hardware from box and sort by size.
2. Please check to see that all hardware and parts are present prior to start of assembly.
3. Please follow attached instructions in the same sequence as numbered to assure fast & easy assembly.



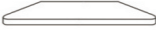



Warning!

1. Don't attempt to repair or modify parts that are broken or defective. Please contact the store immediately.
2. This product is for home use only and not intended for commercial establishments.









ASSEMBLY TIME 5 MINUTES

PARTS IDENTIFICATION

	PART NAME	FIGURE	QTY
A	BAMBOO TOP		1PC
B	SAIVER		1PC
C	BASE		1PC
D	MAIN POST		1PC

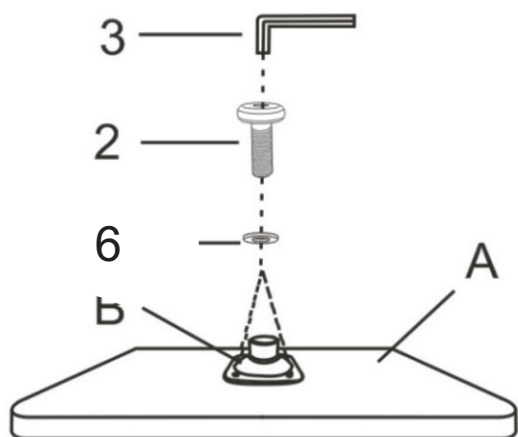
HARDWARE IDENTIFICATION

	HARDWARE NAME	FIGURE	QTY
1	BOLTS M8x32MM		3PCS
2	BOLTS M6x14MM		4PCS
3	ALLEN WRENCH M6		1PC
4	ALLEN WRENCH M4		1PC
5	BOLT 6 MM		2PCS
6	WASHER		4PCS

ITEM :100730
ASSEMBLY INSTRUCTIONS



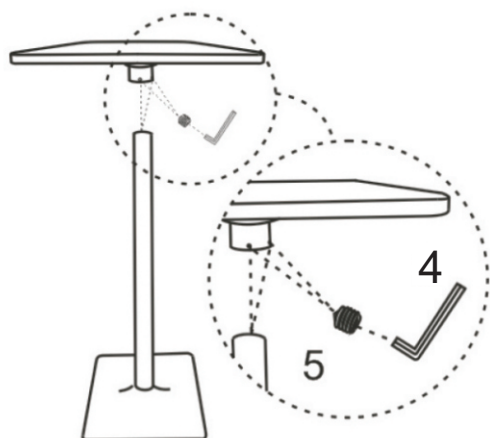
STEP1



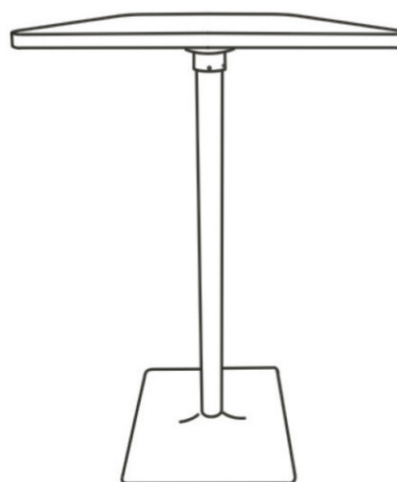
STEP2



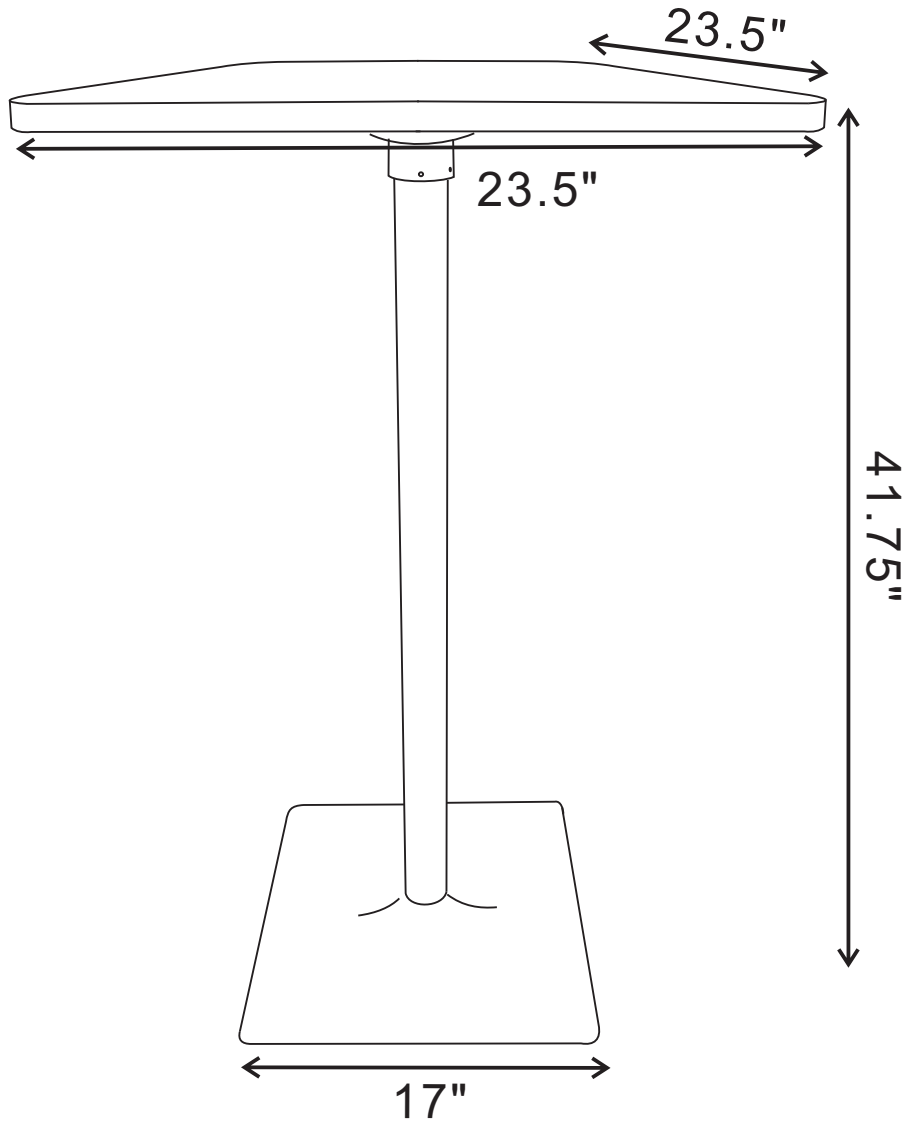
STEP3



STEP4



ITEM :100730
ASSEMBLY INSTRUCTIONS



ASSEMBLY INSTRUCTIONS COASTER FINE FURNITURE



Fine Furniture for every stage of life

100737 BAR STOOL

REVISION 0:06/16/2020
REVISION 1:08/04/2022
REVISION 2:11/29/2024

COASTERFURNITURE.COM

ITEM :100737
ASSEMBLY INSTRUCTIONS



ASSEMBLY TIPS:

1. Remove hardware from box and sort by size.
2. Please check to see that all hardware and parts are present prior to start of assembly.
3. Please follow attached instructions in the same sequence as numbered to assure fast & easy assembly.





Warning!

1. Don't attempt to repair or modify parts that are broken or defective. Please contact the store immediately.
2. This product is for home use only and not intended for commercial establishments.







ASSEMBLY TIME 5 MINUTES

PARTS IDENTIFICATION

	PART NAME	FIGURE	QTY
A	BACK REST		1PC
B	BASE		1PC

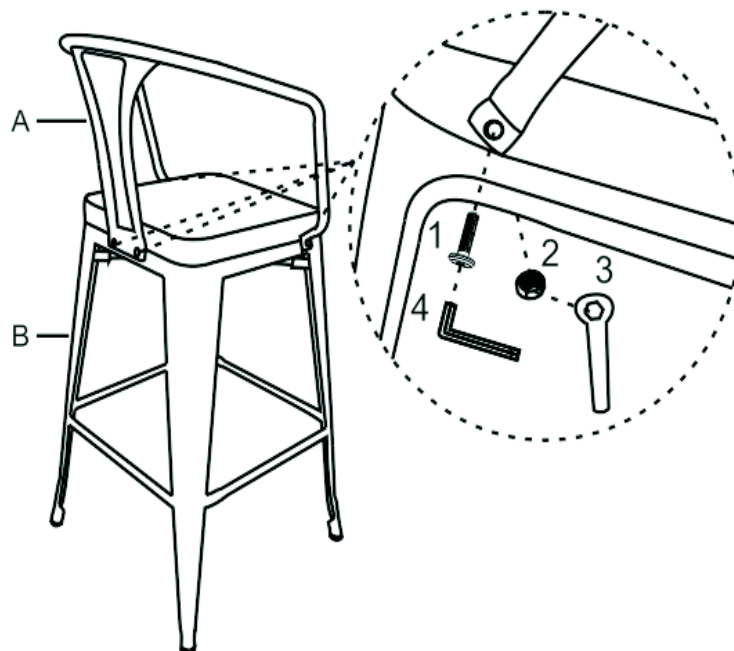
HARDWARE IDENTIFICATION

	HARDWARE NAME	FIGURE	QTY
1	BOLTS M6x16MM		4PCS
2	HEXAGON NUT		4PCS
3	SPANNER		1PC
4	ALLEN WRENCH M6		1PC

ITEM :100737
ASSEMBLY INSTRUCTIONS



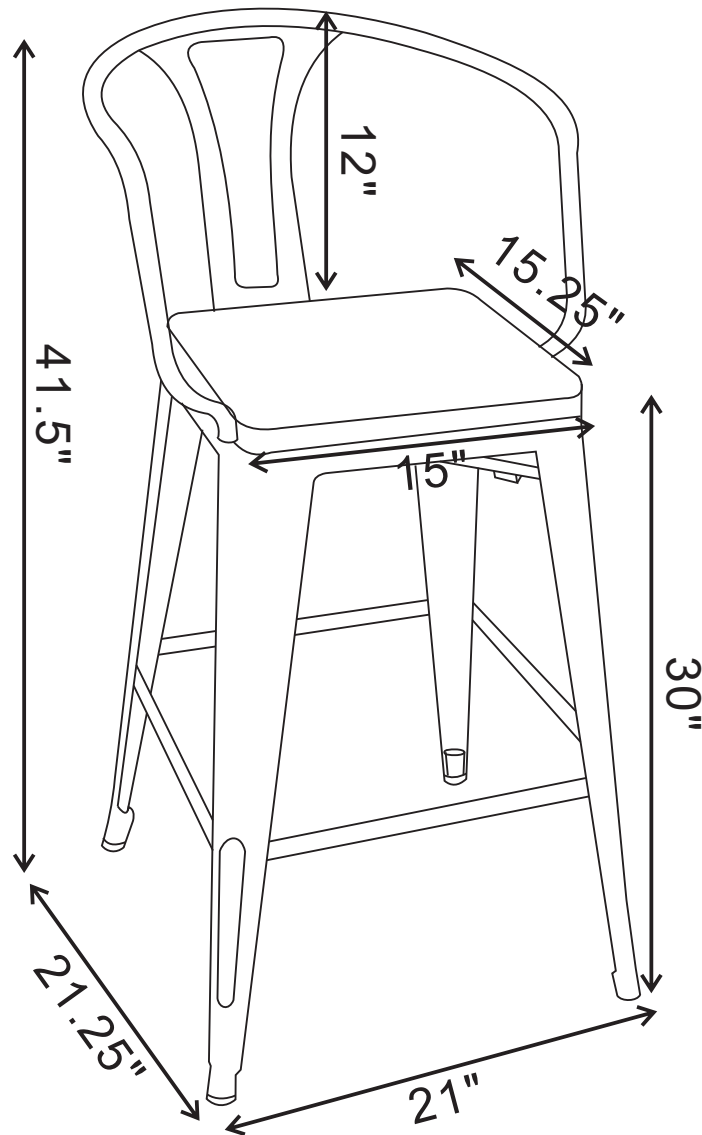
STEP1



STEP2



ITEM :100737
ASSEMBLY INSTRUCTIONS



Note:Dimension tolerance±5%

COASTERFURNITURE.COM