

ASSEMBLY INSTRUCTIONS
COASTER FINE FURNITURE



Fine Furniture for every stage of life

104600(B1&B2)
Dining Table

ITEM: 104600(B1&B2)

ASSEMBLY INSTRUCTIONS

ASSEMBLY TIPS:

1. Remove hardware from box and sort by size.
2. Please check to see that all hardware and parts are present prior to start of assembly.
3. Please follow attached instruction in the same sequence as numbered to assure fast and easy assembly.



WARNING !

1. Don't attempt to repair or modify parts that are broken or defective. Please contact the store immediately.
2. This product is for home use only and not intended for commercial establishment.


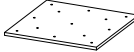




ASSEMBLY TIME

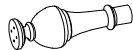
20 MINUTES

PARTS IDENTIFICATION

B1 (BOX 1)





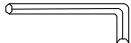
A	TOP		1PC
B	MOUNTING PLATE		1PC
C	UPPER BASE		1PC
D	BOTTOM BASE		1PC

B2 (BOX 2)

E	LEG		4PCS
F	PEDESTAL COLUMN		1PC

HARDWARE IDENTIFICATION

Z-B1 (BOX1) - HARDWARE PACK IS LOCATED IN 104600(B1)

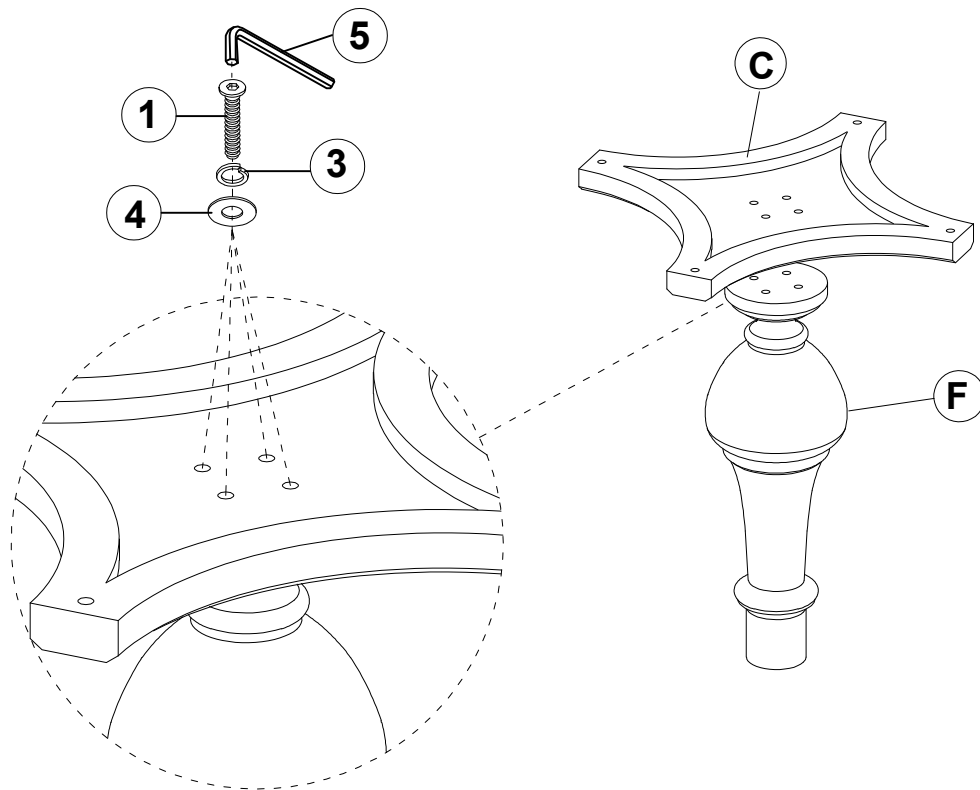
1	LONG BOLT (Ø5/16" x 50mm - RBW)		17PCS
2	SHORT BOLT (Ø5/16" x 35mm - RBW)		12PCS
3	LOCK WASHER (Ø5/16" x 2mm - RBW)		29PCS
4	FLAT WASHER (Ø5/16" x 2mm - RBW)		29PCS
5	ALLEN WRENCH (4 x 60mm - RBW)		1PC

ITEM: **104600(B1&B2)**

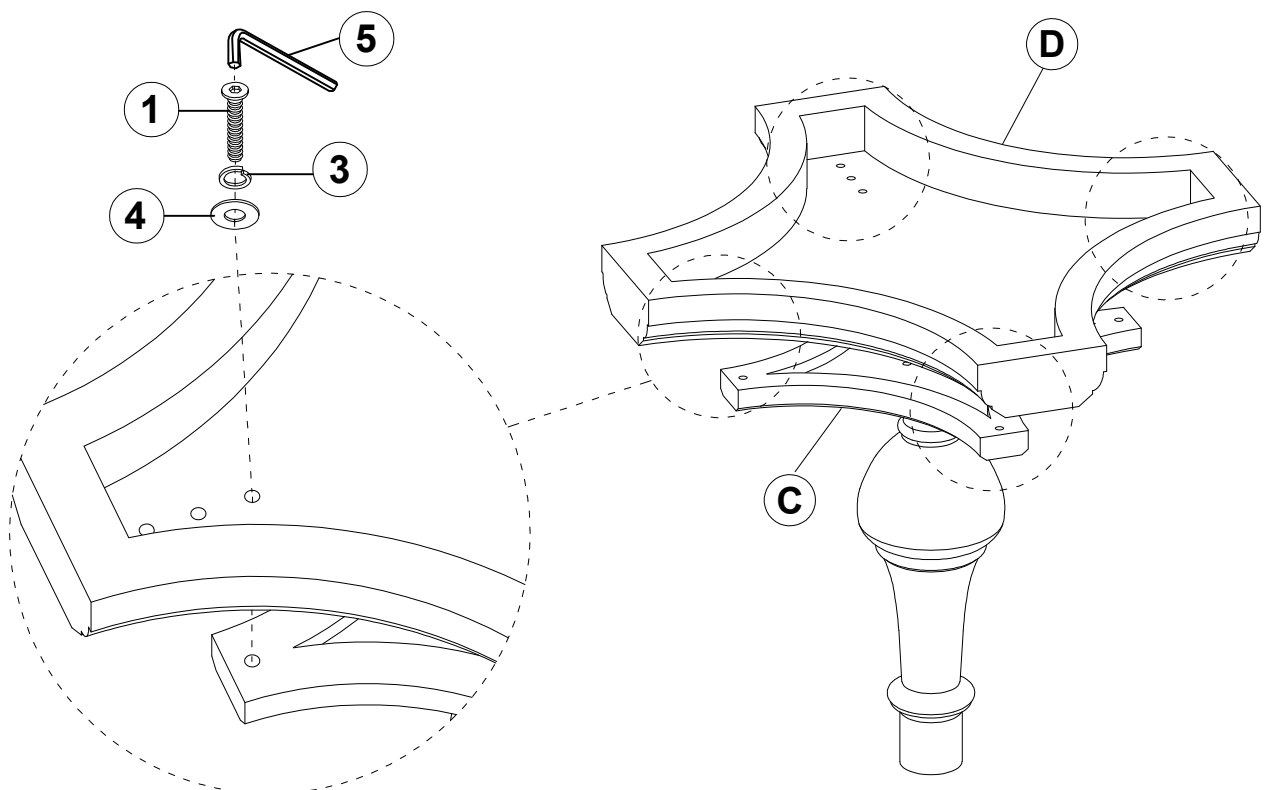
ASSEMBLY INSTRUCTIONS



STEP 1



STEP 2

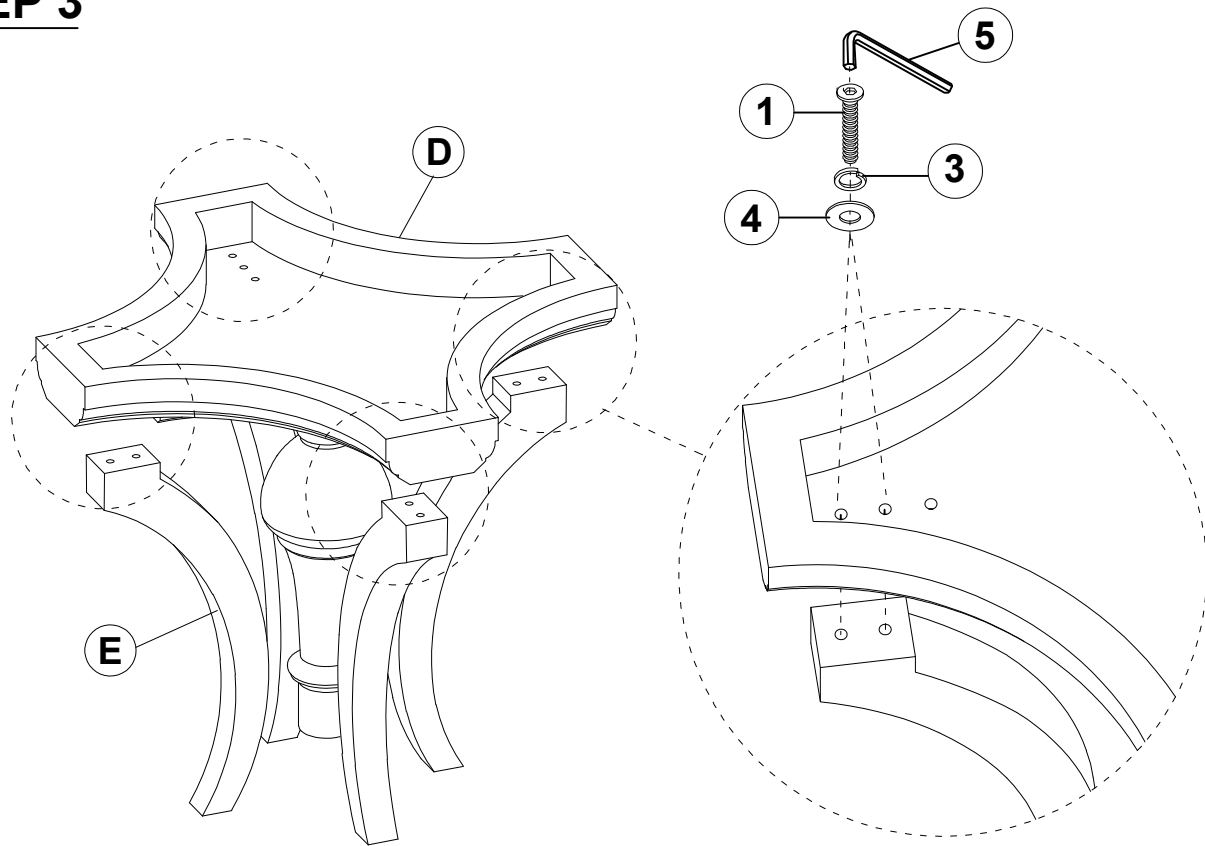


ITEM: 104600(B1&B2)

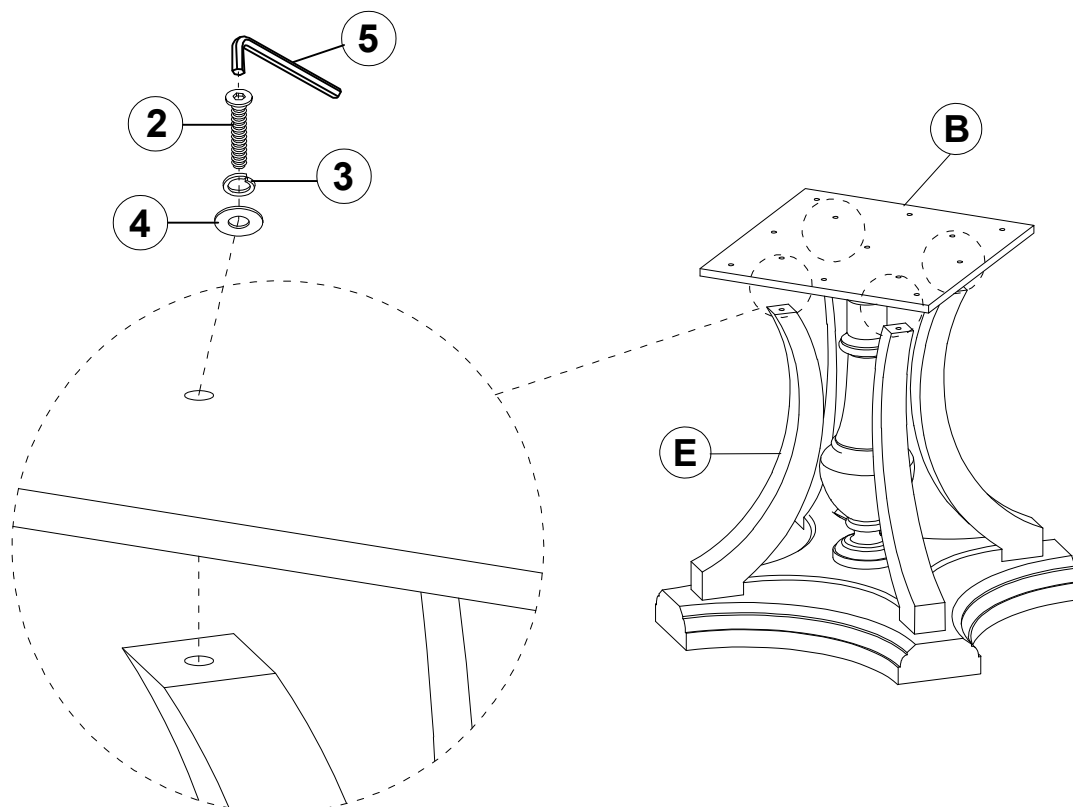
ASSEMBLY INSTRUCTIONS



STEP 3



STEP 4

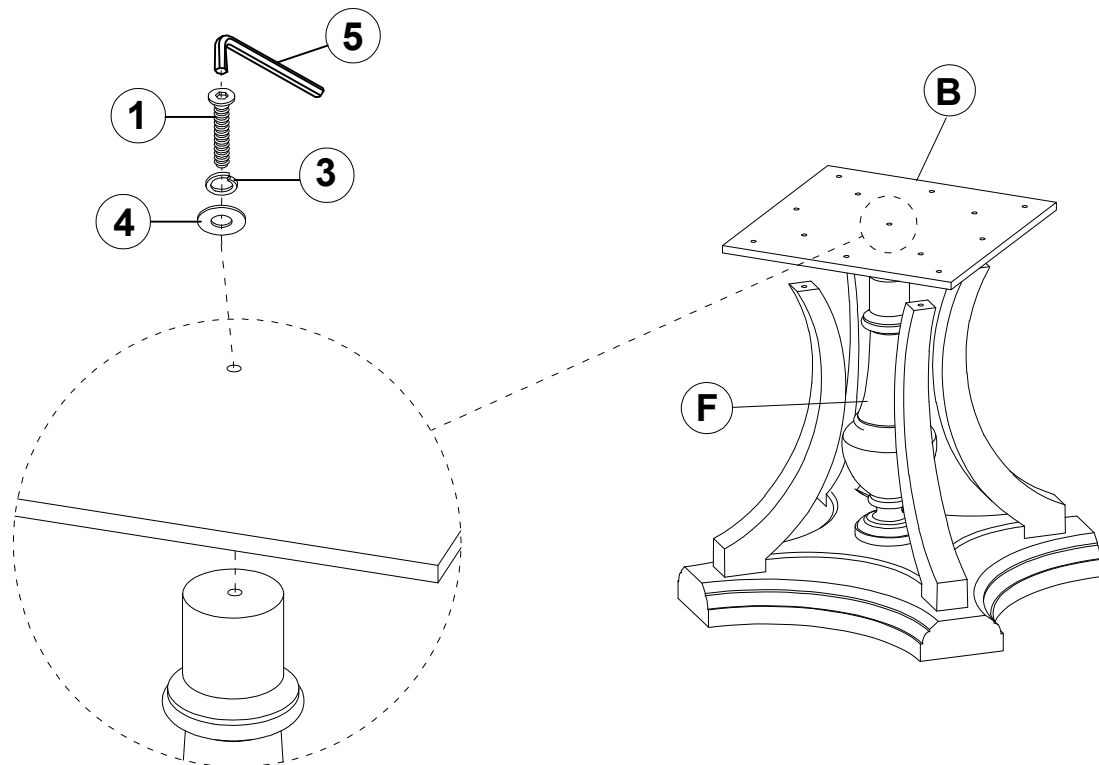


ITEM: 104600(B1&B2)

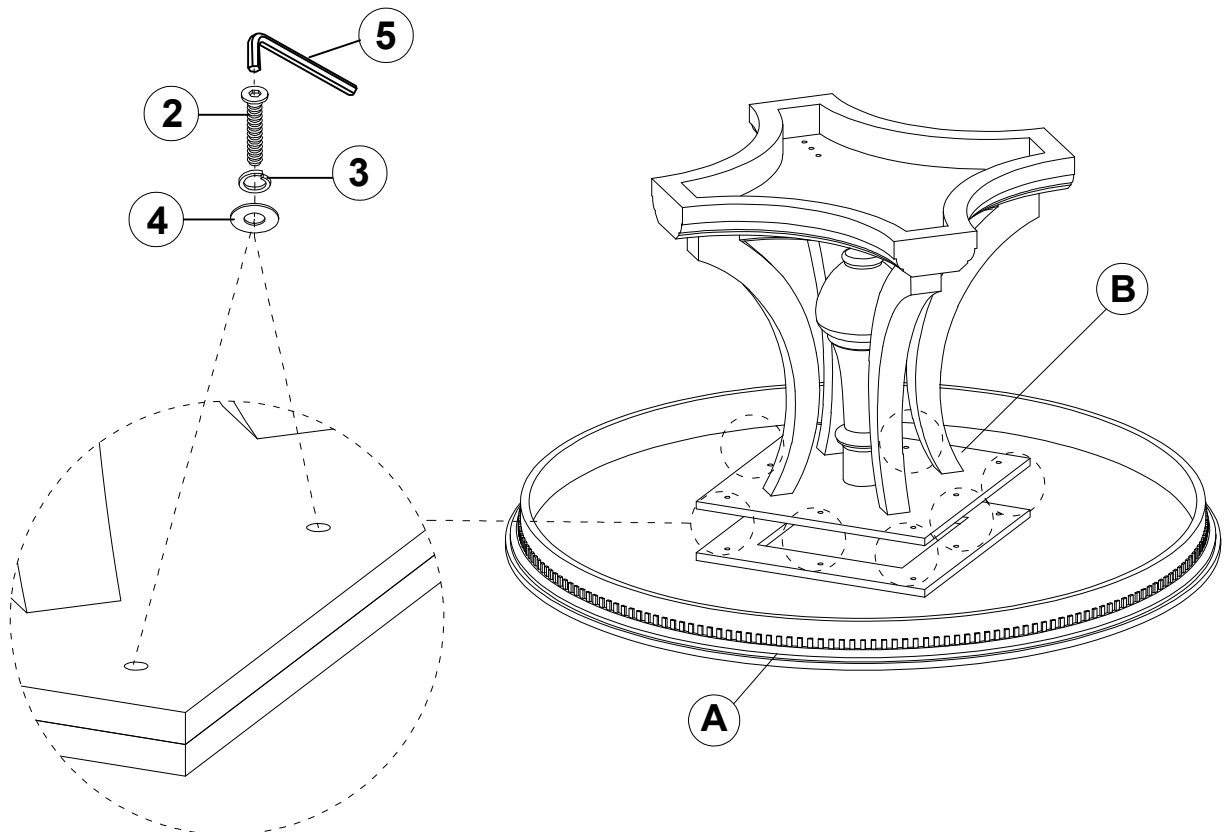
ASSEMBLY INSTRUCTIONS



STEP 5



STEP 6



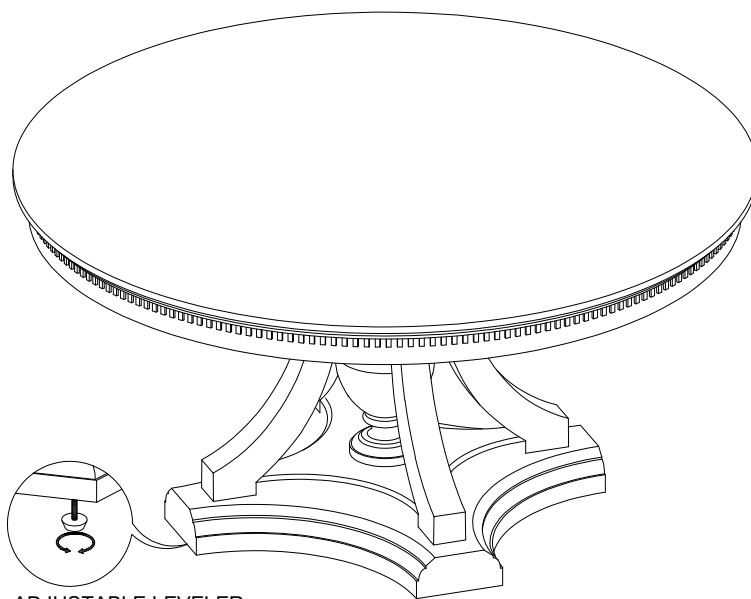
ITEM: **104600(B1&B2)**

ASSEMBLY INSTRUCTIONS



STEP 7

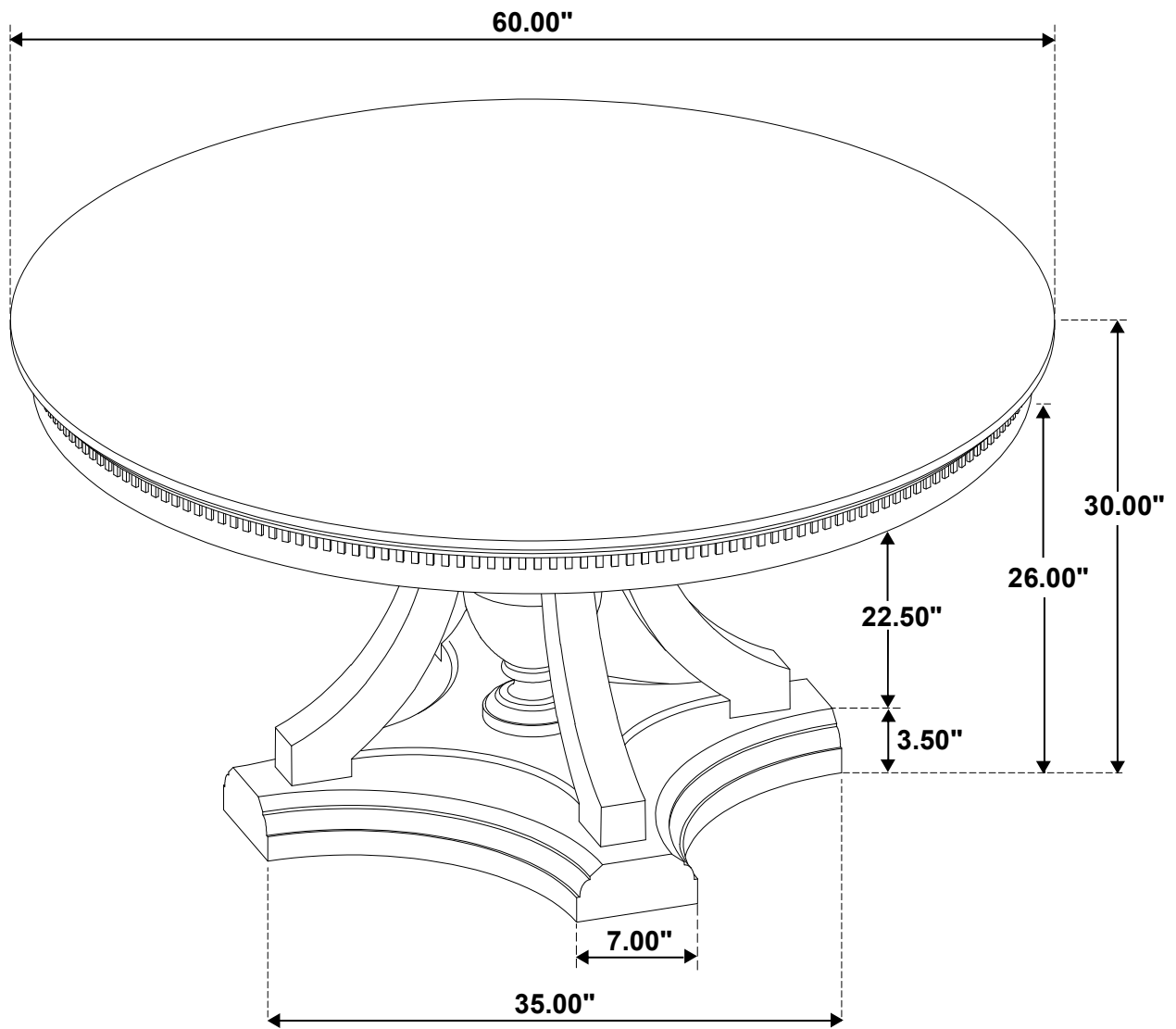
COMPLETE



ADJUSTABLE LEVELER



ITEM: **104600(B1&B2)**



Note: Dimension tolerance $\pm 5\%$