

ASSEMBLY INSTRUCTIONS
COASTER FINE FURNITURE



Fine Furniture for every stage of life

104601(B1&B2)
Dining Table

ITEM: 104601(B1&B2)

ASSEMBLY INSTRUCTIONS



ASSEMBLY TIPS:

1. Remove hardware from box and sort by size.
2. Please check to see that all hardware and parts are present prior to start of assembly.
3. Please follow attached instruction in the same sequence as numbered to assure fast and easy assembly.



WARNING !

1. Don't attempt to repair or modify parts that are broken or defective. Please contact the store immediately.
2. This product is for home use only and not intended for commercial establishment.



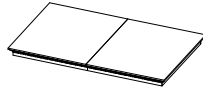
ASSEMBLY TIME

20 MINUTES

PARTS IDENTIFICATION

B1 (BOX 1)

A TOP



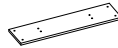
1PC

C LEAF



2PCS

B MOUNTING PLATE



2PCS

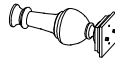
D CROSSBAR



1PC

B2 (BOX 2)

E PEDESTAL COLUMN



4PCS

F BASE



2PCS

HARDWARE IDENTIFICATION

Z-B1 (BOX 1) - HARDWARE PACK IS LOCATED IN 104601(B1)

1 THREADED BOLT
(Ø5/16" x 100mm - RBW)



4 PCS

5 ALLEN WRENCH
(4 x 60mm - RBW)



1PC

2 BOLT
(Ø5/16" x 50mm - RBW)



24PCS

6 HEX NUT
(Ø5/16" x 12mm - RBW)



4PCS

3 LOCK WASHER
(Ø5/16" x 2mm - RBW)



28PCS

7 WRENCH
(12mm - RBW)



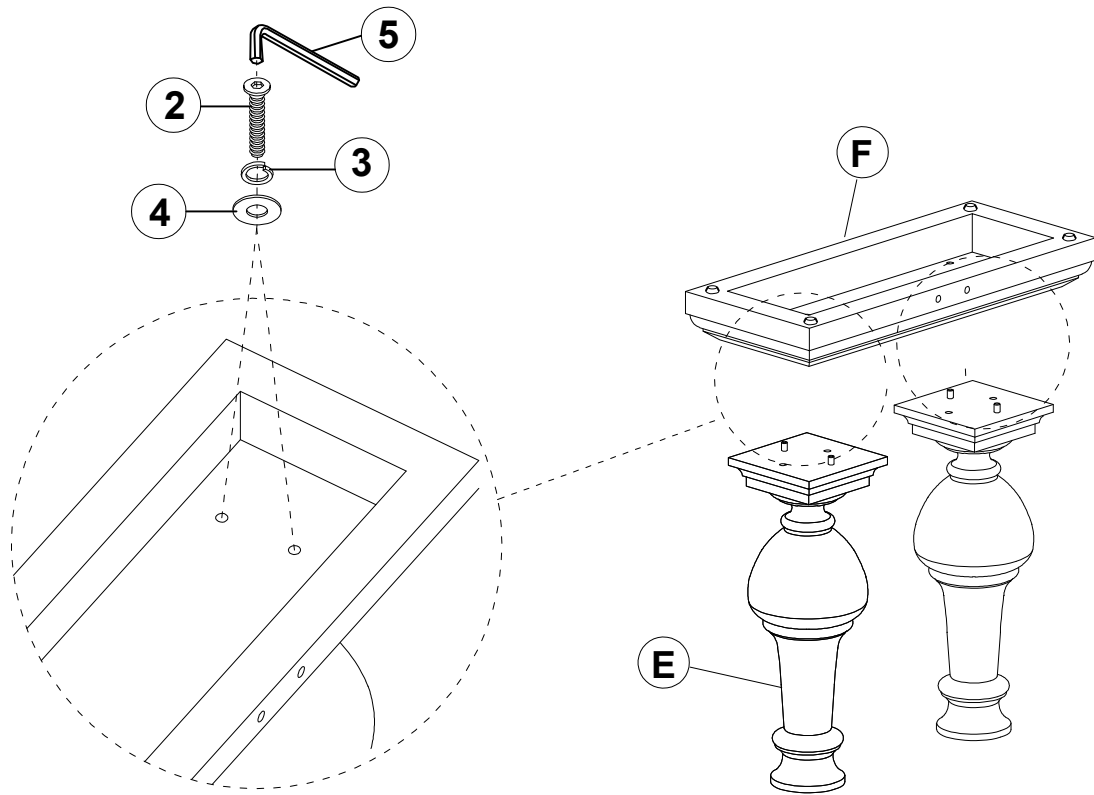
1PC

4 FLAT WASHER
(Ø5/16" x 2mm - RBW)

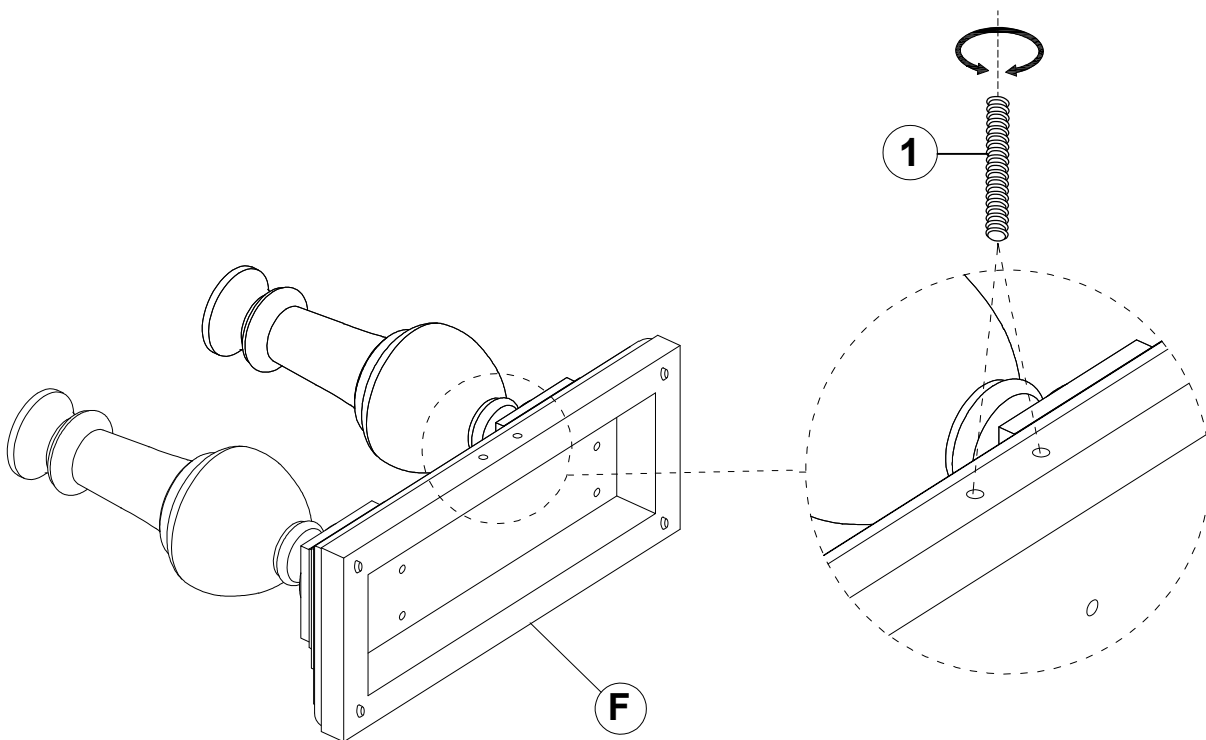


28PCS

ITEM: **104601(B1&B2)**
ASSEMBLY INSTRUCTIONS
STEP 1



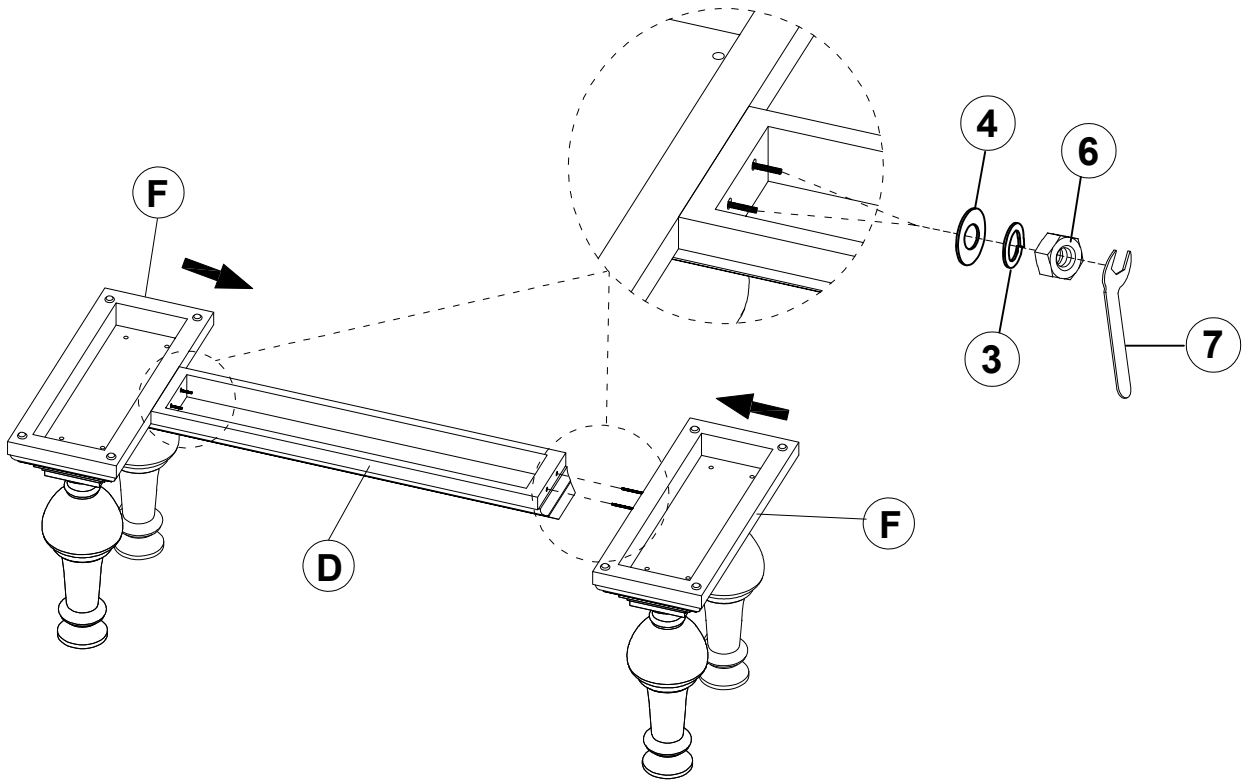
STEP 2



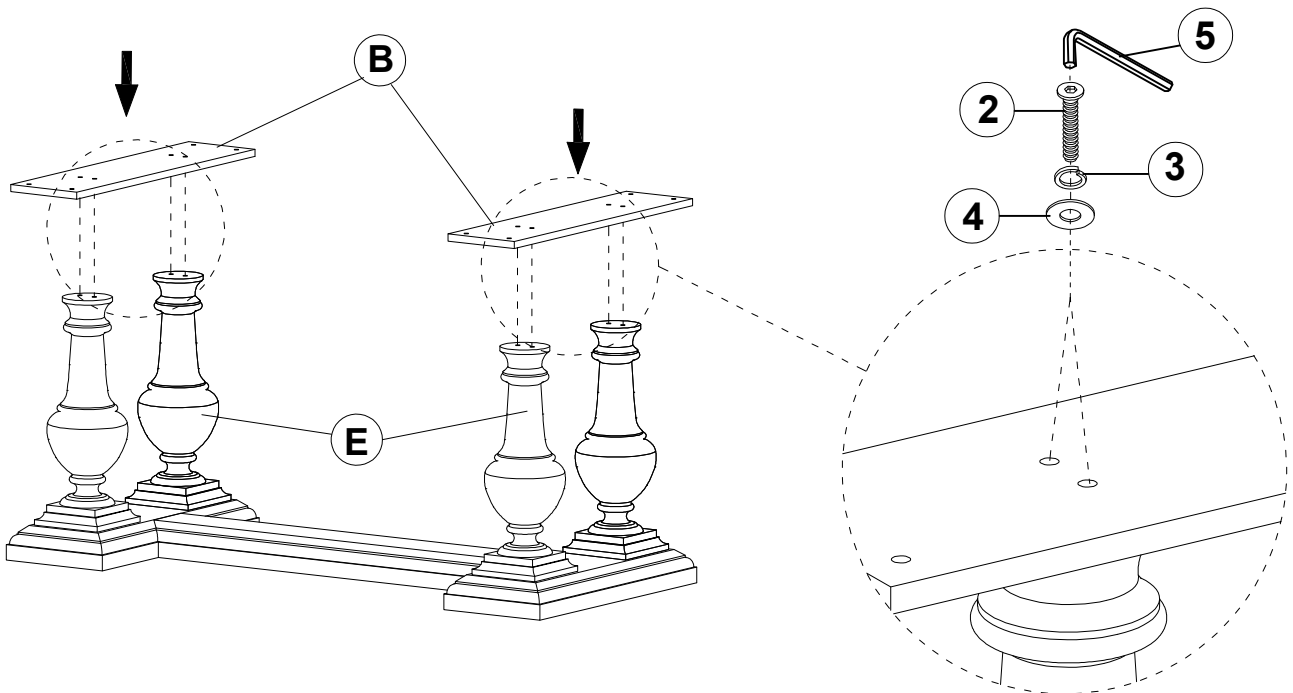
ITEM: 104601(B1&B2)

ASSEMBLY INSTRUCTIONS

STEP 3



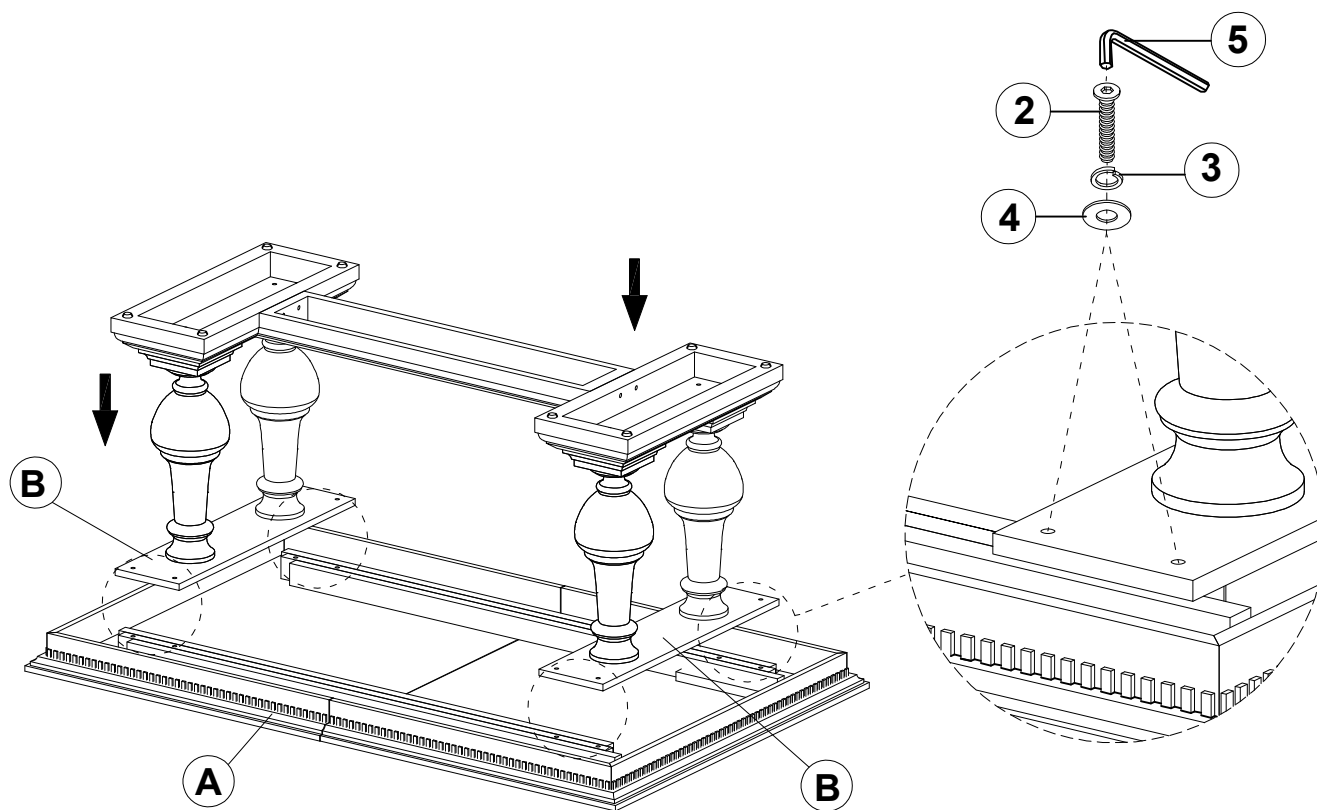
STEP 4



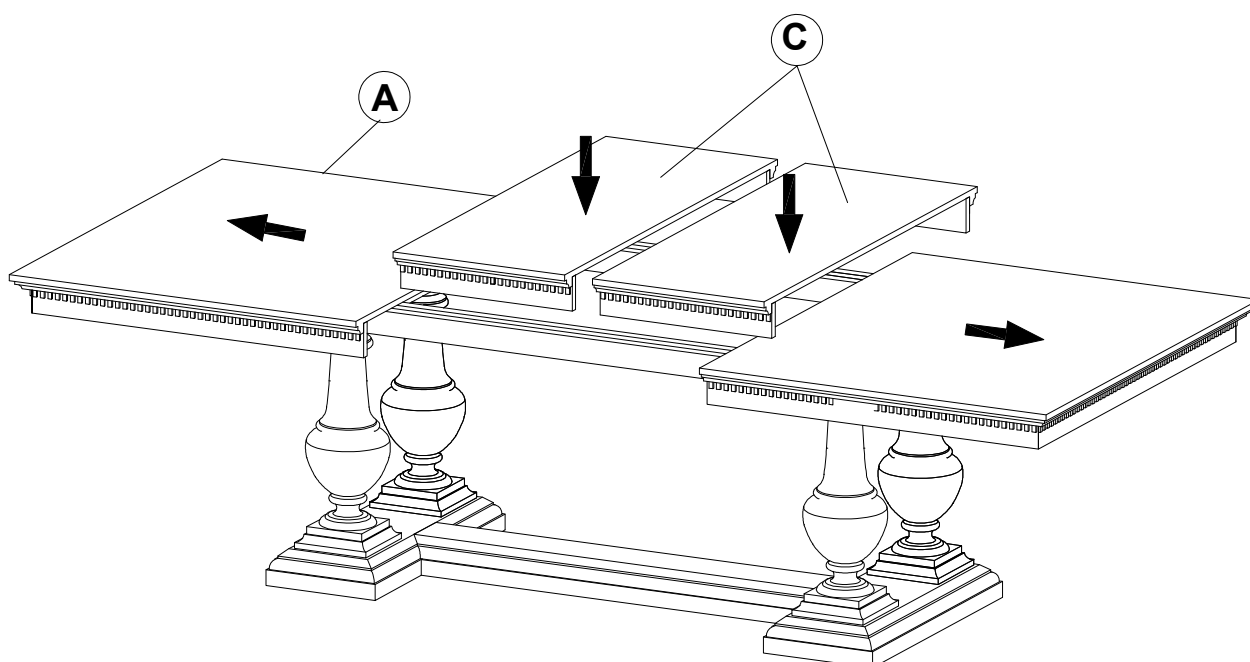
ITEM: 104601(B1&B2)

ASSEMBLY INSTRUCTIONS

STEP 5



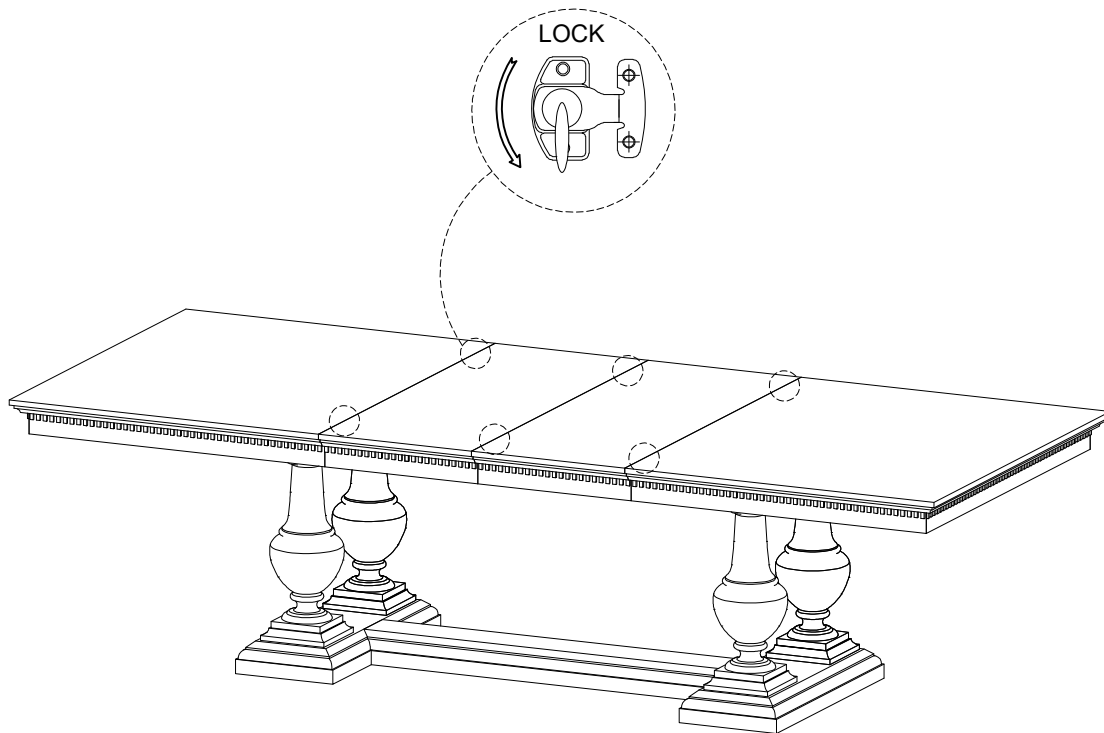
STEP 6



ITEM: **104601(B1&B2)**

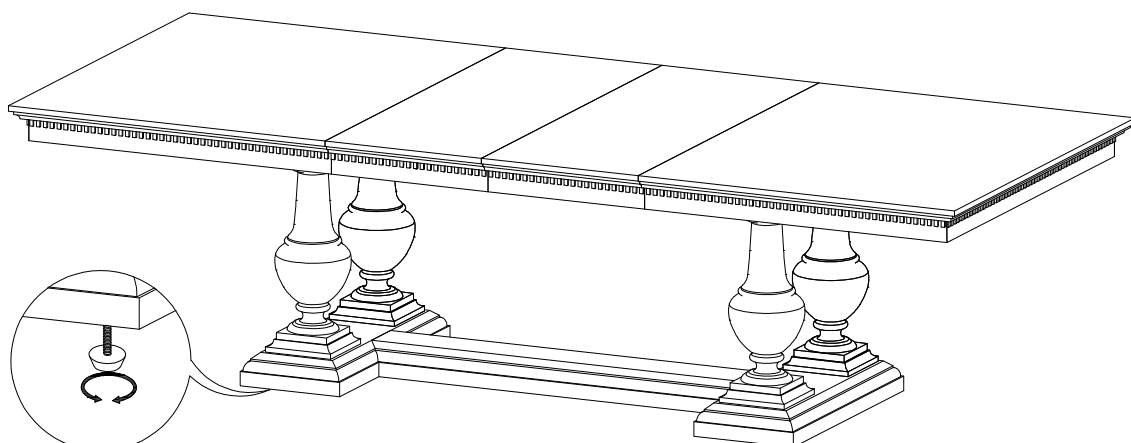
ASSEMBLY INSTRUCTIONS

STEP 7

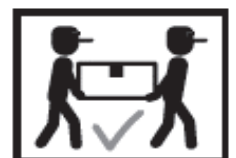


STEP 8

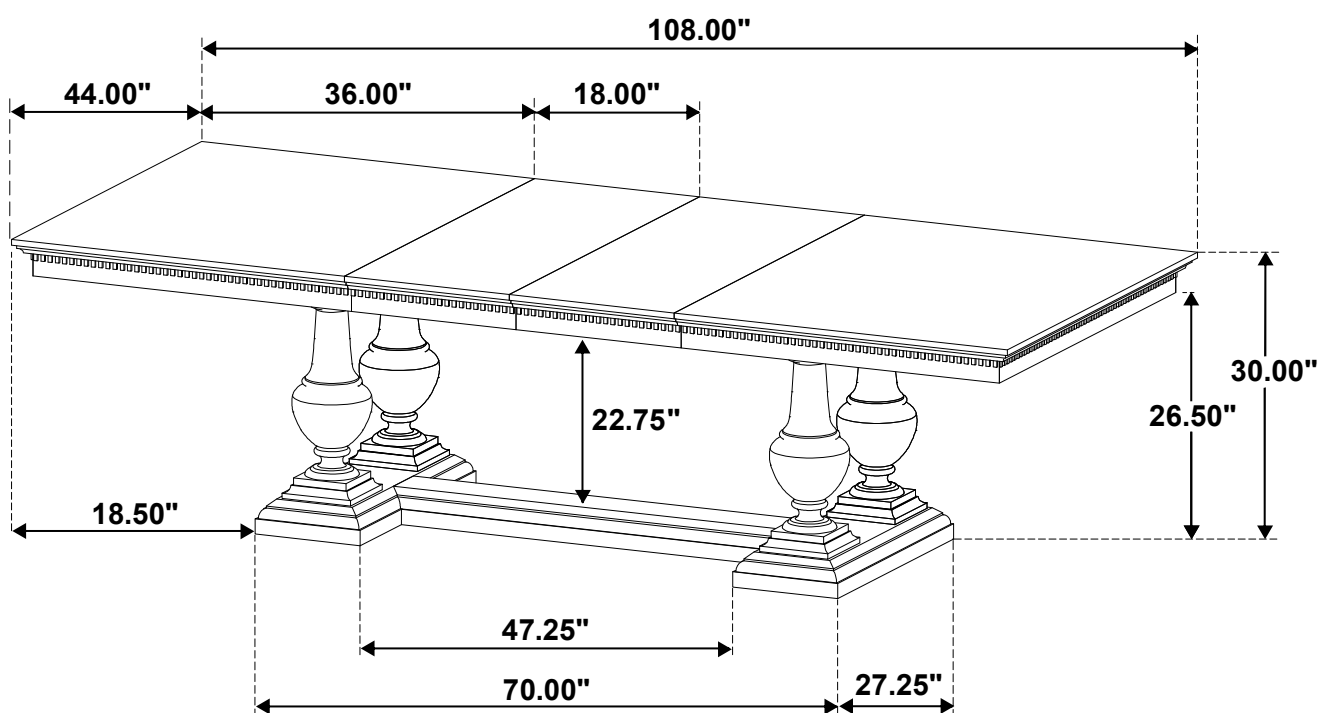
COMPLETE



ADJUSTABLE LEVELER



ITEM: **104601(B1&B2)**



Note: Dimension tolerance $\pm 5\%$