

ASSEMBLY INSTRUCTIONS
COASTER FINE FURNITURE



Fine Furniture for every stage of life

105362
Side Chair

REVISION 0: 05/26/2014
REVISION 1: 08/19/2014
REVISION 2: 02/18/2016
REVISION 3: 11/13/2020

ITEM: 105362



ASSEMBLY INSTRUCTIONS

ASSEMBLY TIPS:

1. Remove hardware from box and sort by size.
2. Please check to see that all hardware and parts are present prior to start of assembly.
3. Please follow attached instructions in the same sequence as numbered to assure fast & easy assembly.



WARNING!

1. Don't attempt to repair or modify parts that are broken or defective. Please contact the store immediately.
2. This product is for home use only and not intended for commercial establishments.



ASSEMBLY TIME

15 MINUTES

PARTS IDENTIFICATION

AF BACKREST		1PC	DF WOOD CLEAT		1PC
BF UPPER LEG FRAME		1PC	EF SEAT CUSHION		1PC
CF LOWER LEG FRAME		1PC			

HARDWARE IDENTIFICATION

1 ALLEN WRENCH (M4 x 100MM - BLK)		1PC	5 BOLT (M7 x 50MM - ZB)		1PC
2 LONG BOLT (M6 x 60MM - RBW)		4PCS	6 LOCK WASHER (1/4" - BLK)		8PCS
3 MEDIUM BOLT (M6 x 35MM - RBW)		4PCS	7 FLAT WASHER (M6 X 13MM - RBW)		4PCS
4 SHORT BOLT (M6 x 25MM - RBW)		4PCS	8 WOOD PLUG (Ø14.5 X 9MM)		4PCS

NOTE :

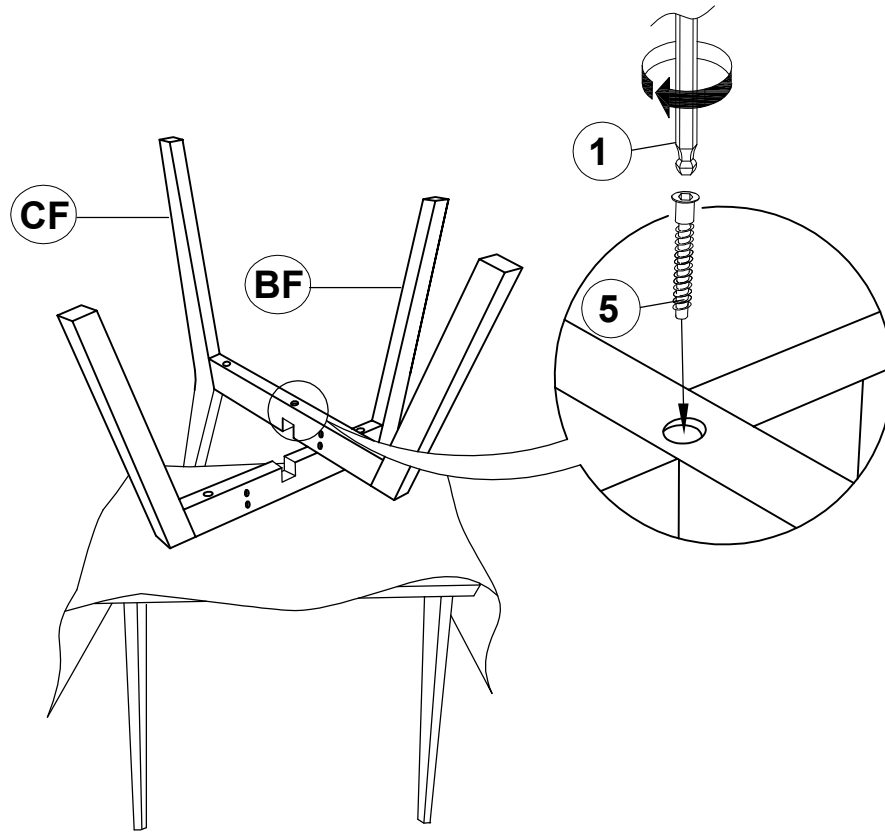
Phillips head screw driver is required in the assembly process; However, manufacturer not provide this item. Quantities shown are for one chair.

ITEM: **105362**

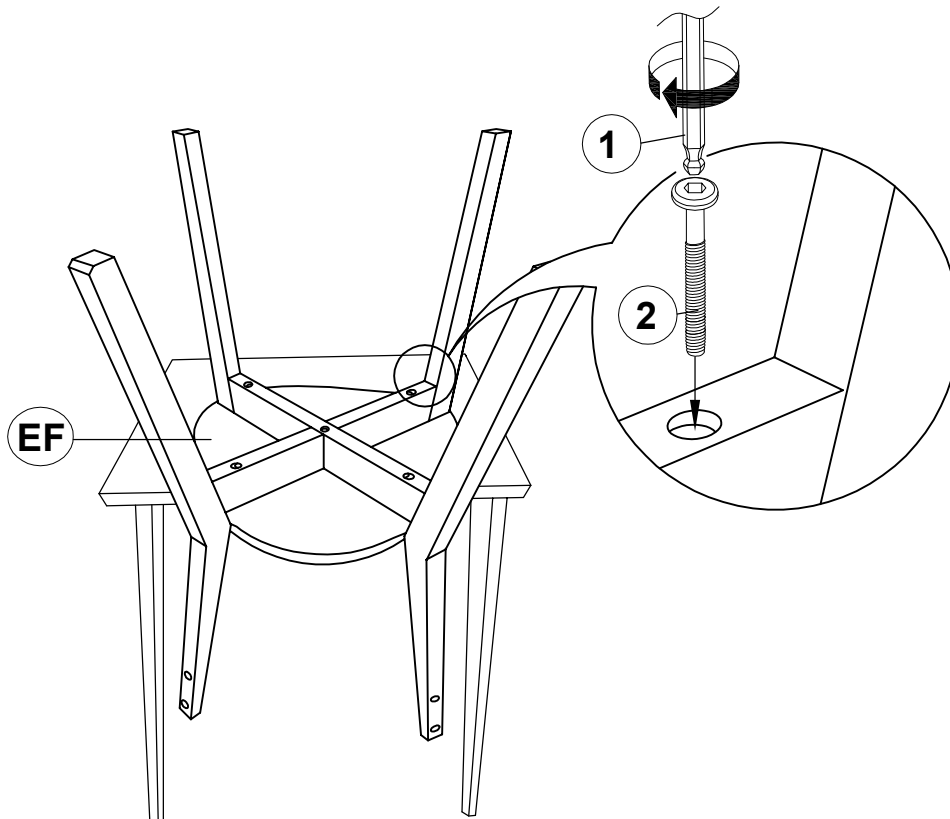


ASSEMBLY INSTRUCTIONS

STEP 1



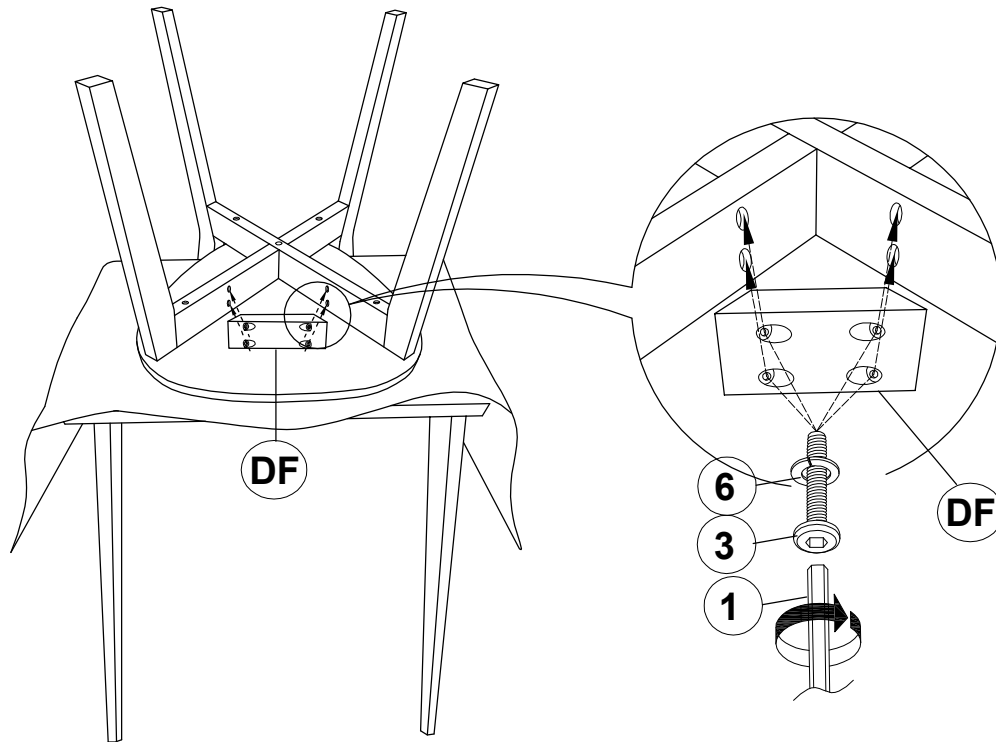
STEP 2



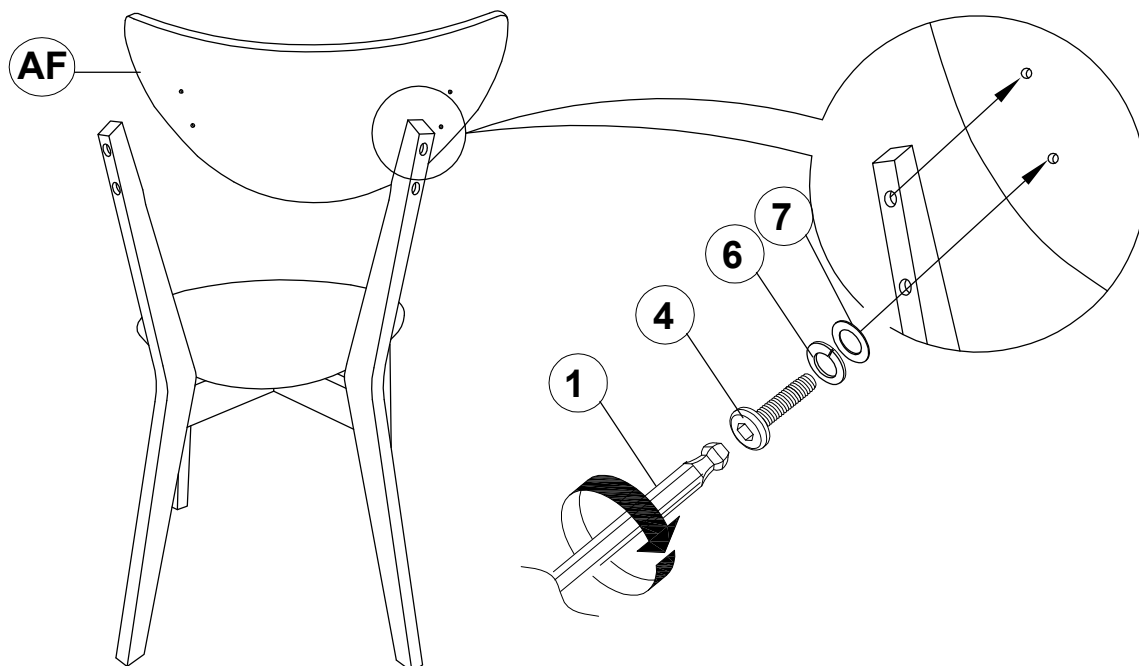
ITEM: **105362**

ASSEMBLY INSTRUCTIONS

STEP 3



STEP 4

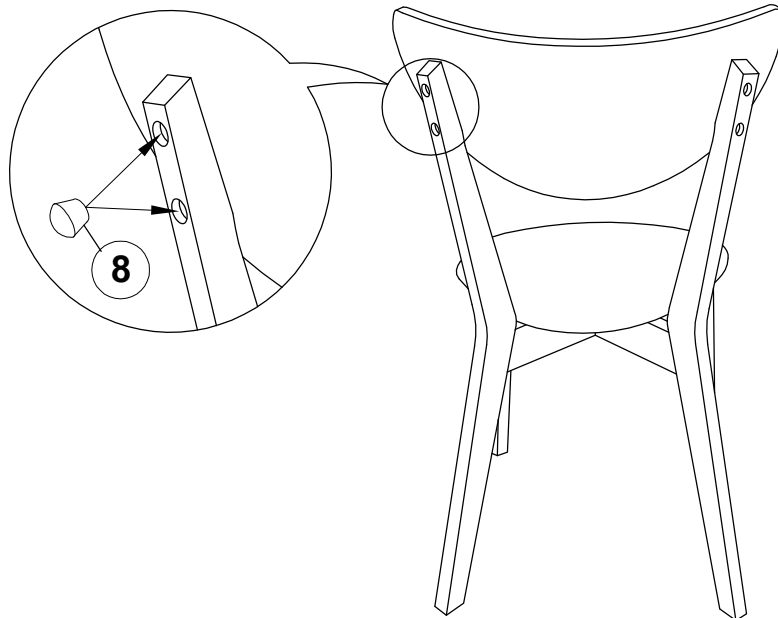


ITEM: **105362**

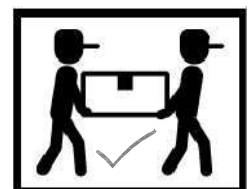
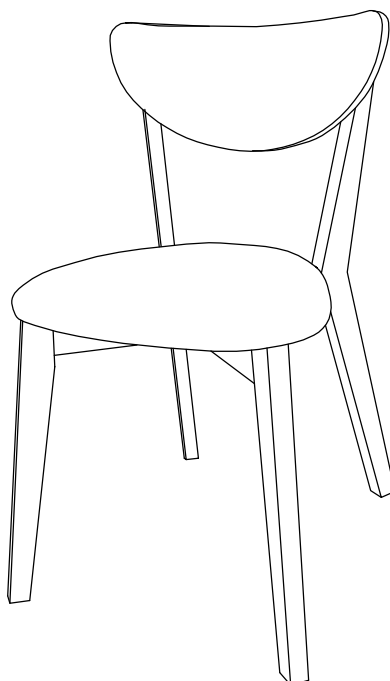


ASSEMBLY INSTRUCTIONS

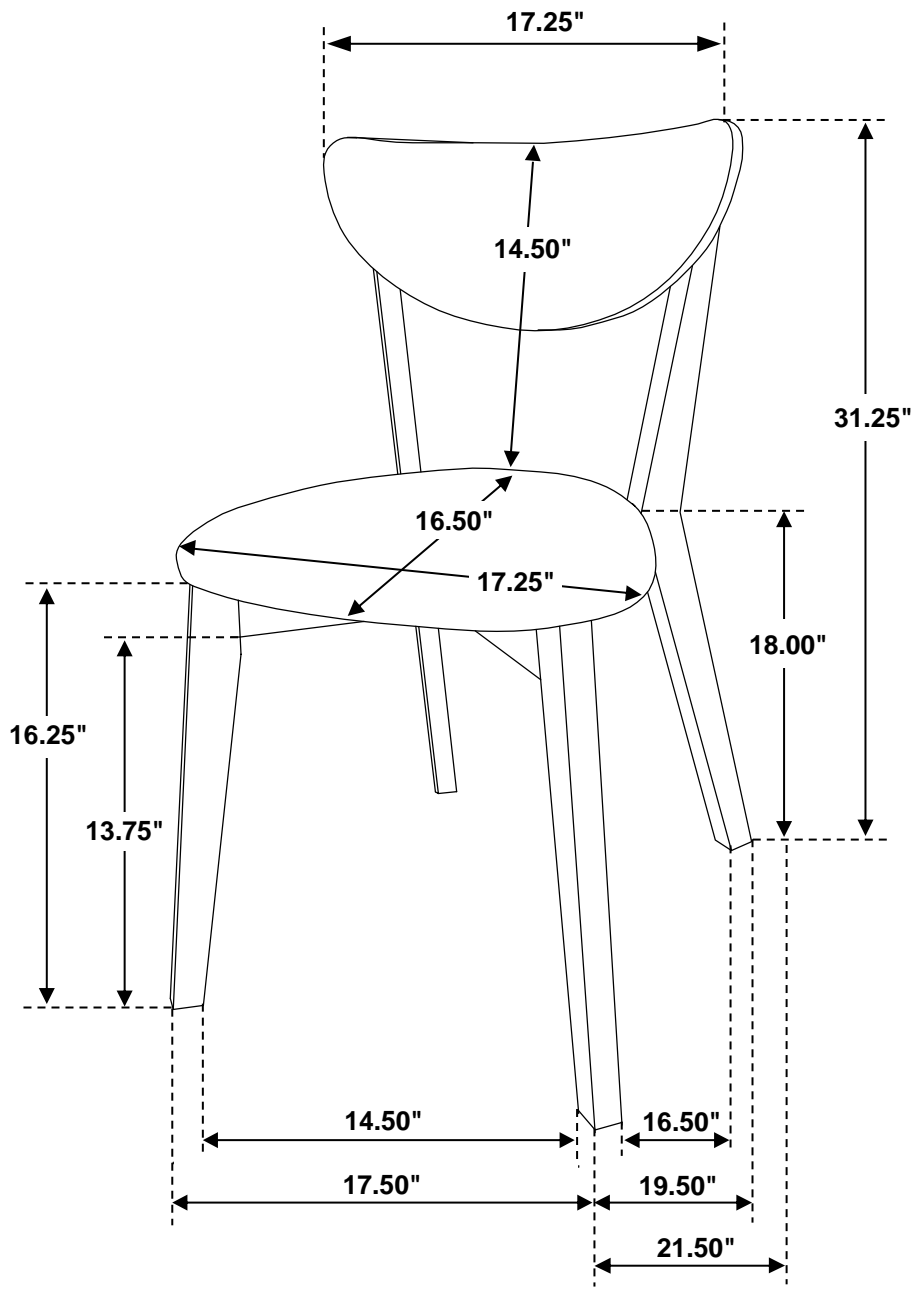
STEP 5



STEP 6
COMPLETE



ITEM: **105362**



Note: Dimension tolerance $\pm 5\%$