

ASSEMBLY INSTRUCTIONS
COASTER FINE FURNITURE



Fine Furniture for every stage of life

107202WAL
Side Chair

ITEM: 107202WAL

ASSEMBLY INSTRUCTIONS



ASSEMBLY TIPS:

1. Remove hardware from box and sort by size.
2. Please check to see that all hardware and parts are present prior to start of assembly.
3. Please follow attached instructions in the same sequence as numbered to assure fast & easy assembly.



WARNING!

1. Don't attempt to repair or modify parts that are broken or defective. Please contact the store immediately.
2. This product is for home use only and not intended for commercial establishments.



ASSEMBLY TIME

15 MINUTES

PARTS IDENTIFICATION

A	SEAT AND BACK		1PC
B	LEFT LEG FRAME		1PC
C	RIGHT LEG FRAME		1PC
D	STRETCHER		1PC

HARDWARE IDENTIFICATION

1	BOLT (5/16" x 35mm - BLK)		4PCS
2	LOCK WASHER (5/16" x 14mm - BLK)		4PCS
3	FLAT WASHER (5/16" x 19mm - BLK)		4PCS
4	ALLEN WRENCH (4mm x 64mm - BLK)		1PC
5	PAN HEAD SCREW (Ø4 x 30mm - BLK)		2PCS
6	WOODEN LOCK (Ø10 x 25mm - WOOD)		2PCS

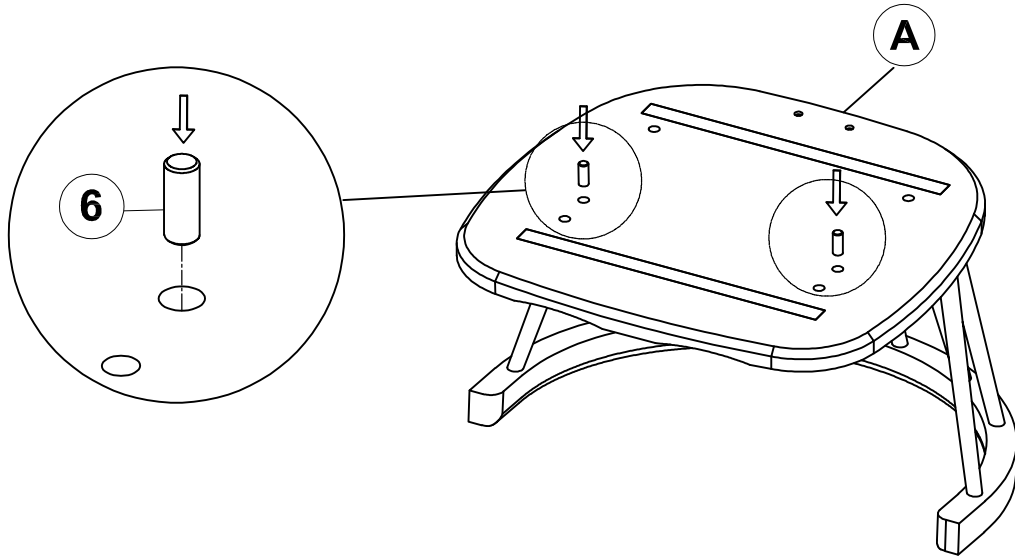
NOTE:

Quantities shown are for one chair.

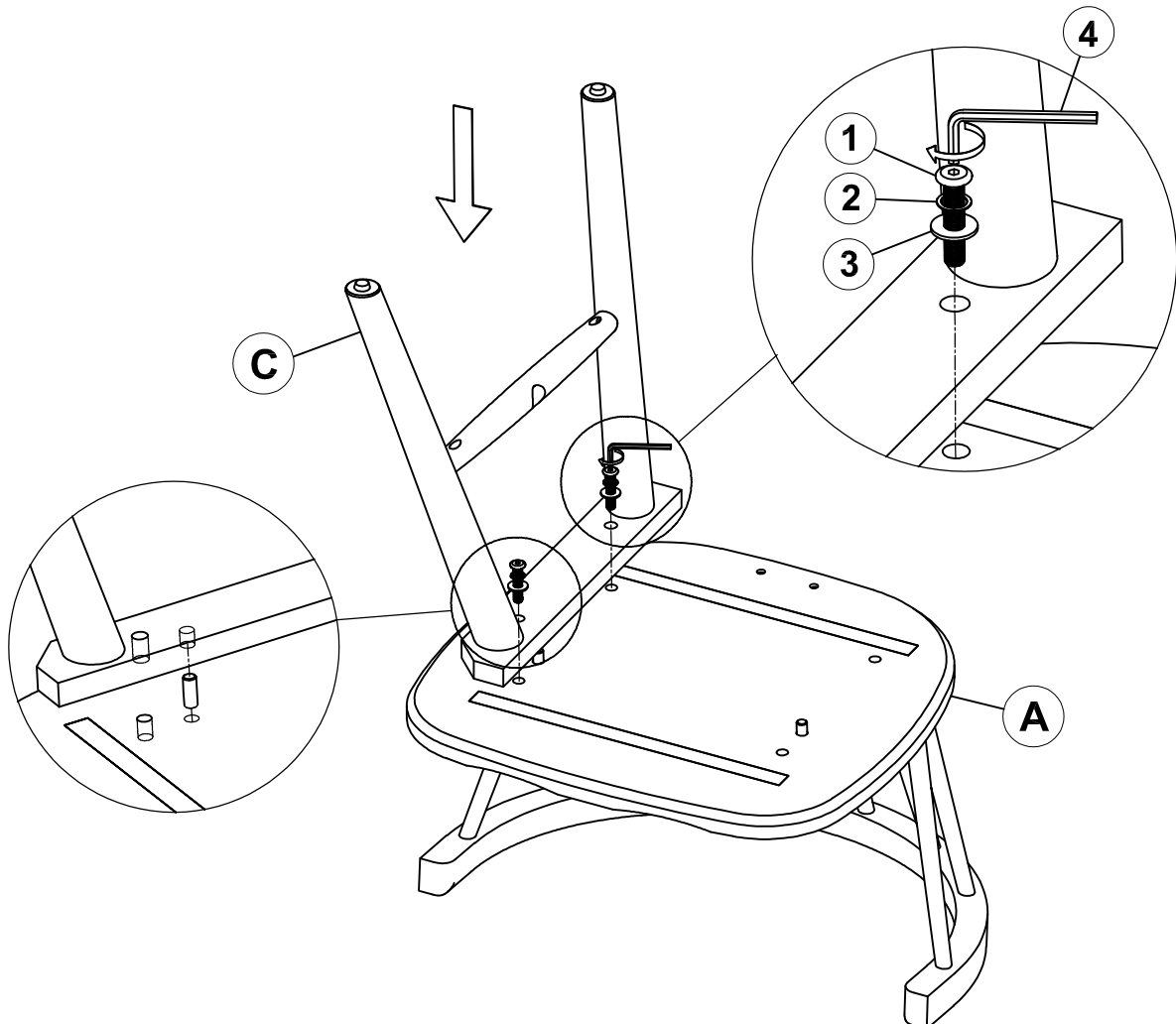
Phillips head screw driver is required in the assembly process; however, manufacturer does not provide this item.

ITEM: **107202WAL**
ASSEMBLY INSTRUCTIONS

STEP 1

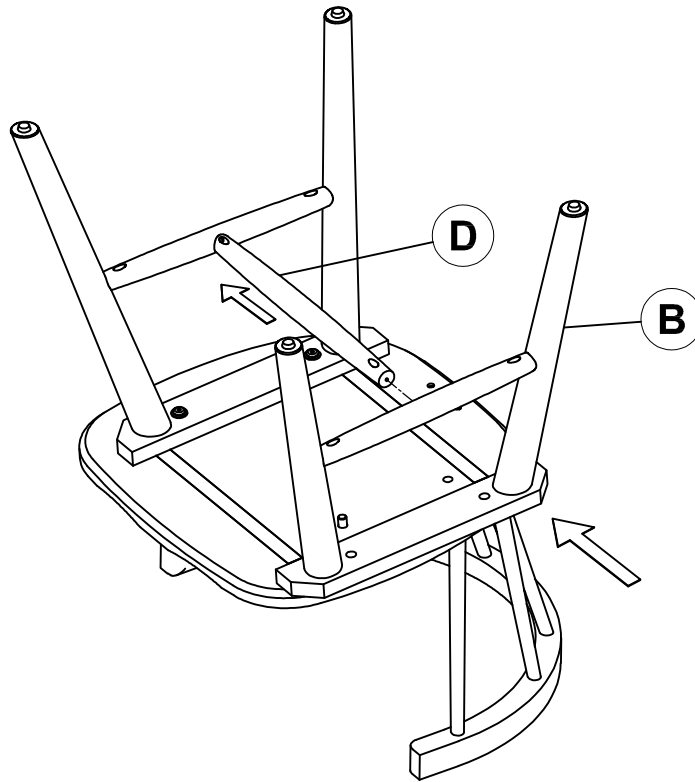


STEP 2

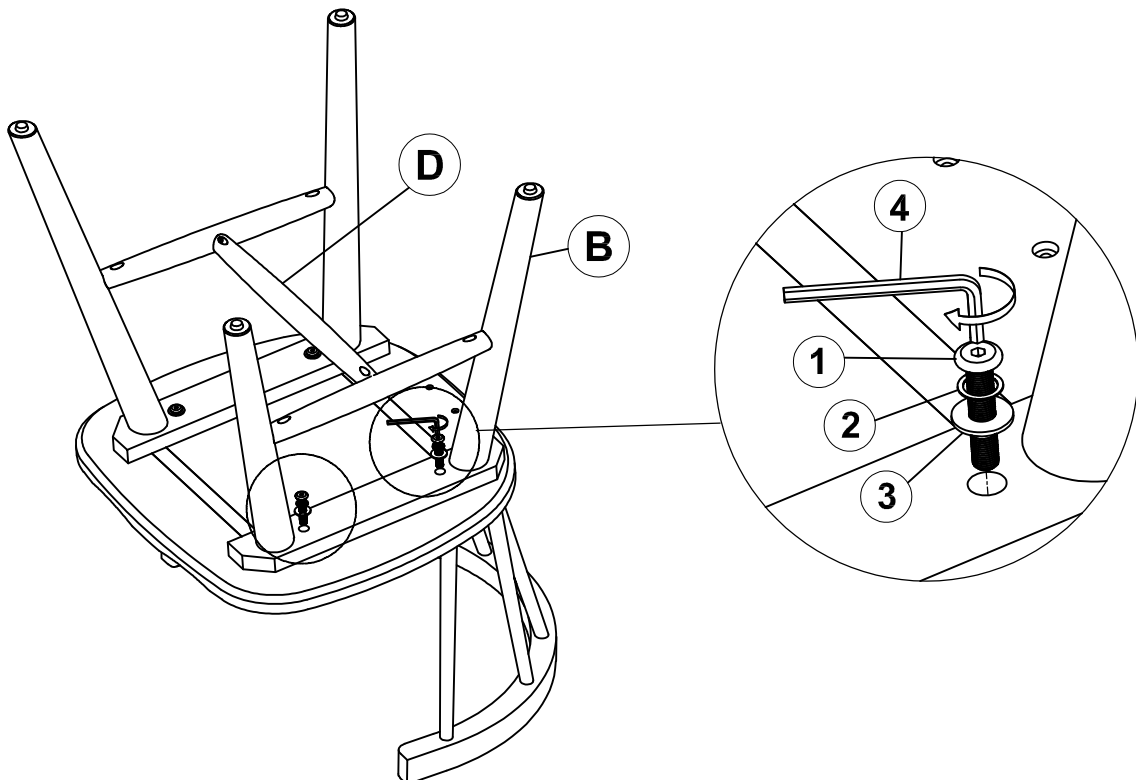


ITEM: **107202WAL**
ASSEMBLY INSTRUCTIONS

STEP 3



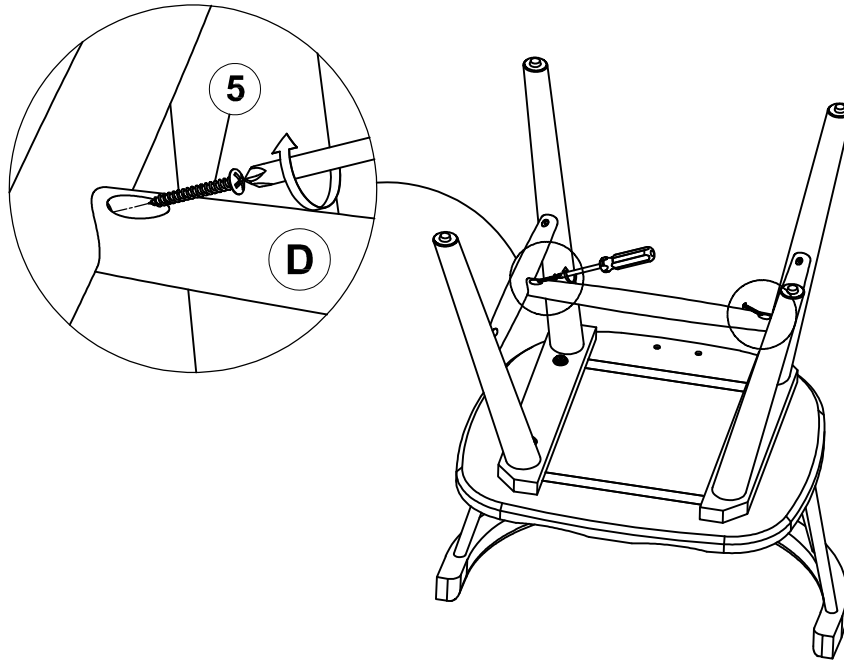
STEP 4



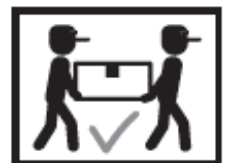
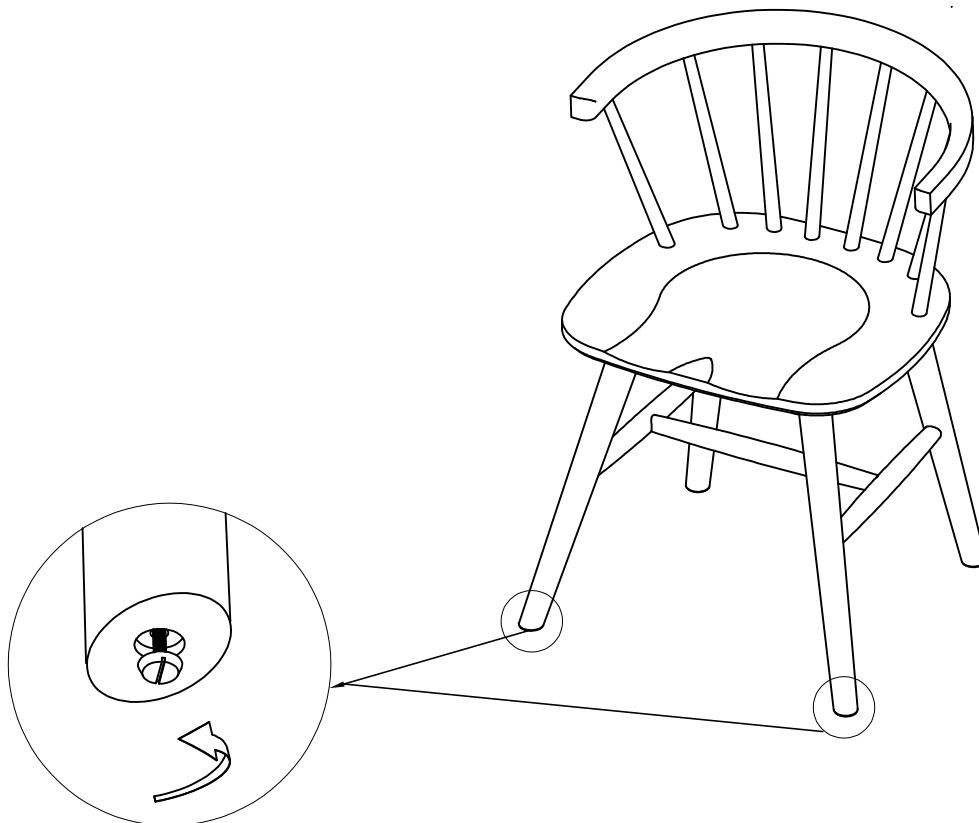
ITEM: **107202WAL**
ASSEMBLY INSTRUCTIONS



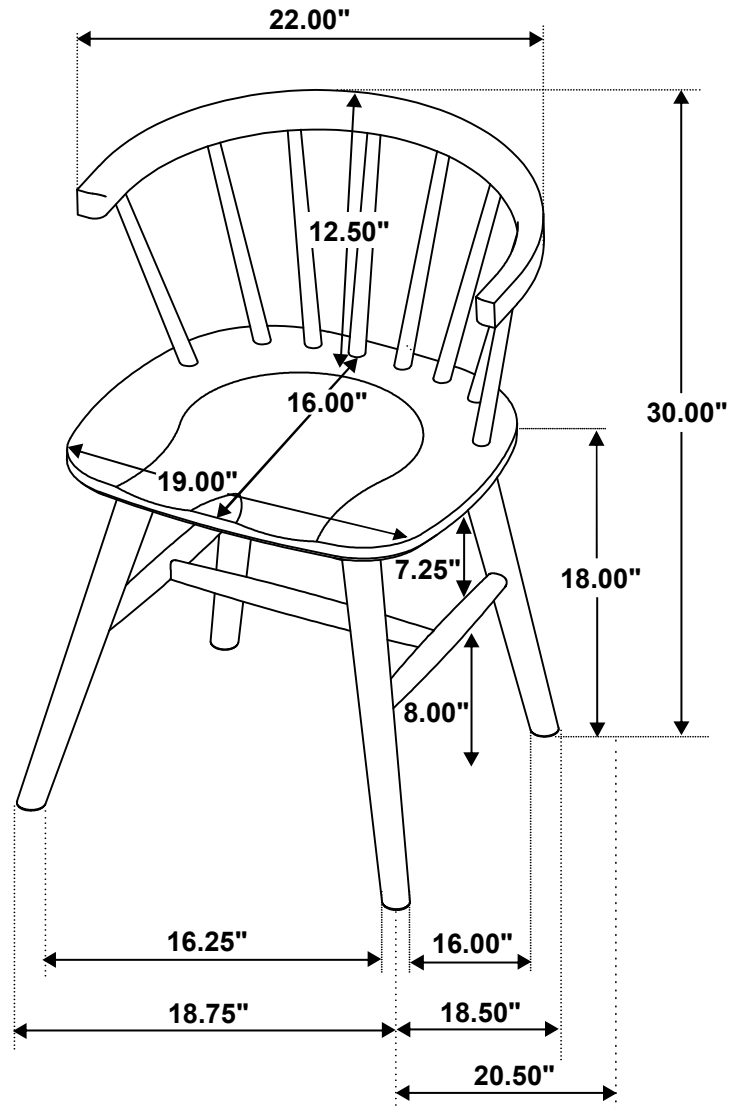
STEP 5



STEP 6
COMPLETE



ITEM: 107202WAL



Note: Dimension tolerance $\pm 5\%$