

ASSEMBLY INSTRUCTIONS
COASTER FINE FURNITURE



Fine Furniture for every stage of life

108291
DINING TABLE

REVISION 0 : 12/03/2018
REVISION 1 : 05/13/2019
REVISION 2 : 09/14/2022
REVISION 3 : 06/14/2023

PAGE 1 OF 6

COASTERFURNITURE.COM

ITEM:108291



ASSEMBLY INSTRUCTIONS

ASSEMBLY TIPS:

1. Remove hardware from box and sort by size.
2. Please check to see that all hardware and parts are present prior to start of assembly.
3. Please follow attached instructions in the same sequence as numbered to assure fast & easy assembly.


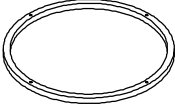

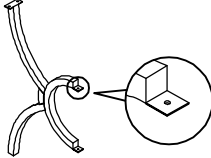
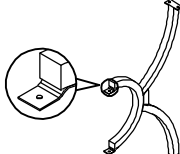


WARNING!





1. Don't attempt to repair or modify parts that are broken or defective. Please contact the store immediately.
2. This product is for home use only and not intended for commercial establishments.

ASSEMBLY TIME 30 MINUTES

PARTS IDENTIFICATION

A	GLASS		1PC
	GLASS SOLD SEPARATELY.		
B	TOP FRAME		1PC
C	LARGE FRAME		1PC
D	LEFT FRAME		1PC
E	RIGHT FRAME		1PC

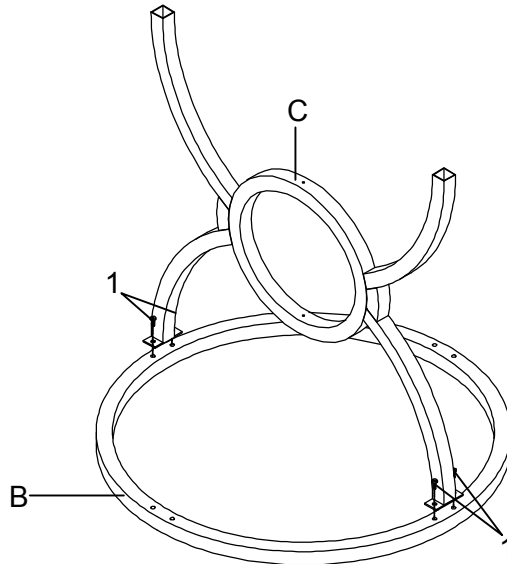
HARDWARE IDENTIFICATION

1	SHORT BOLT (1/4" x 15mm BLK)		10PCS	3	LEVELER (5/16" x 15mm BLK)		4PCS
2	SUCTION CUP (20 x 5mm)		4PCS	4	ALLEN WRENCH (4mm)		1PC

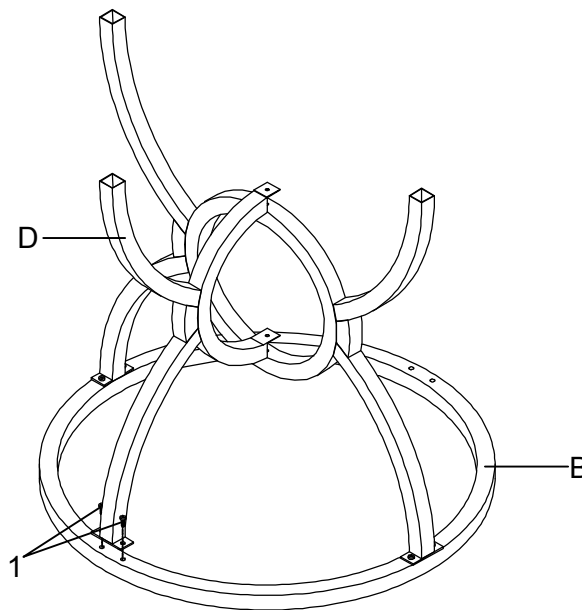
ITEM: 108291 ASSEMBLY INSTRUCTIONS



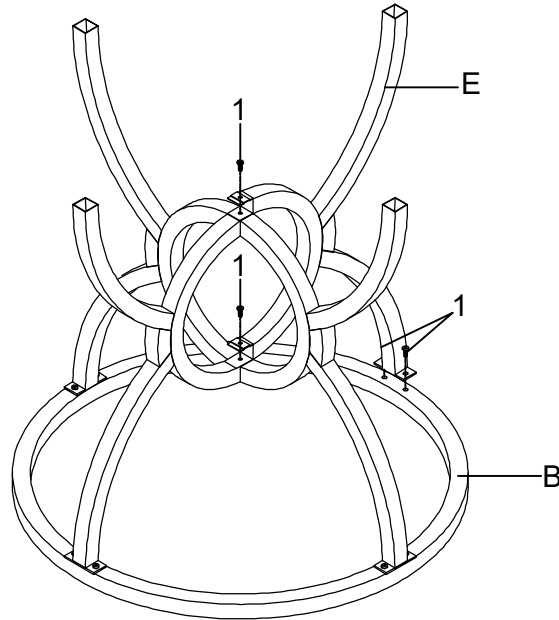
STEP 1 Do not tighten until each step is completed or instructed.



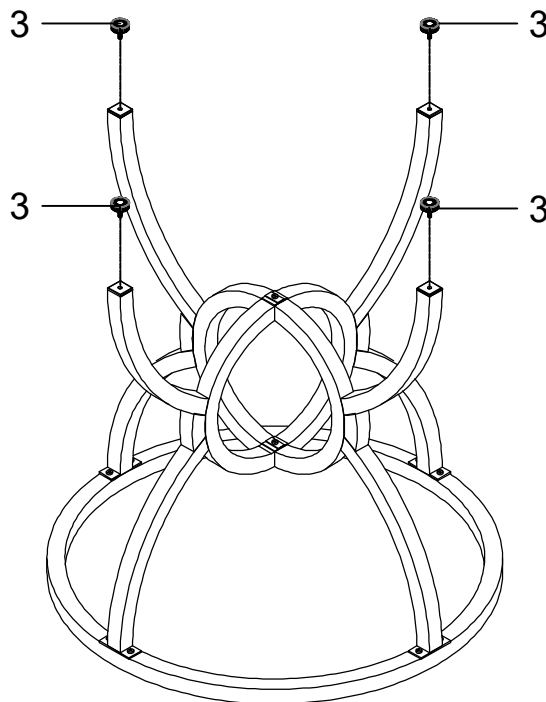
STEP 2



ITEM:108291
ASSEMBLY INSTRUCTIONS
STEP 3



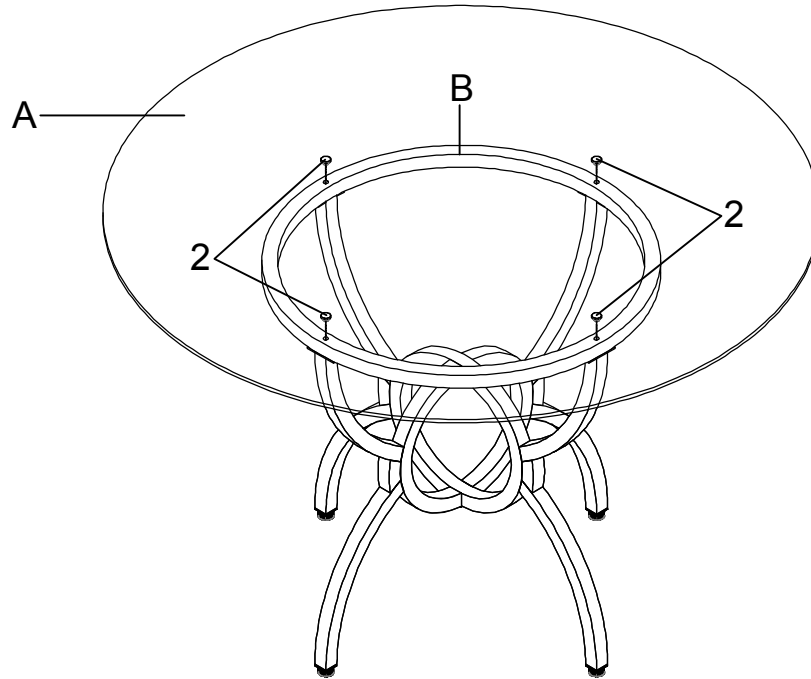
STEP 4



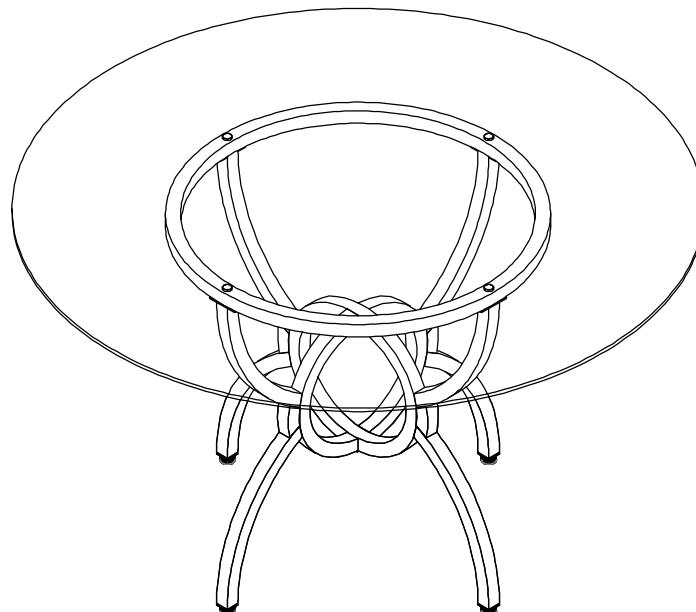
ITEM: 108291
ASSEMBLY INSTRUCTIONS



STEP 5 *GLASS (PART#A) SOLD SEPARATELY.*



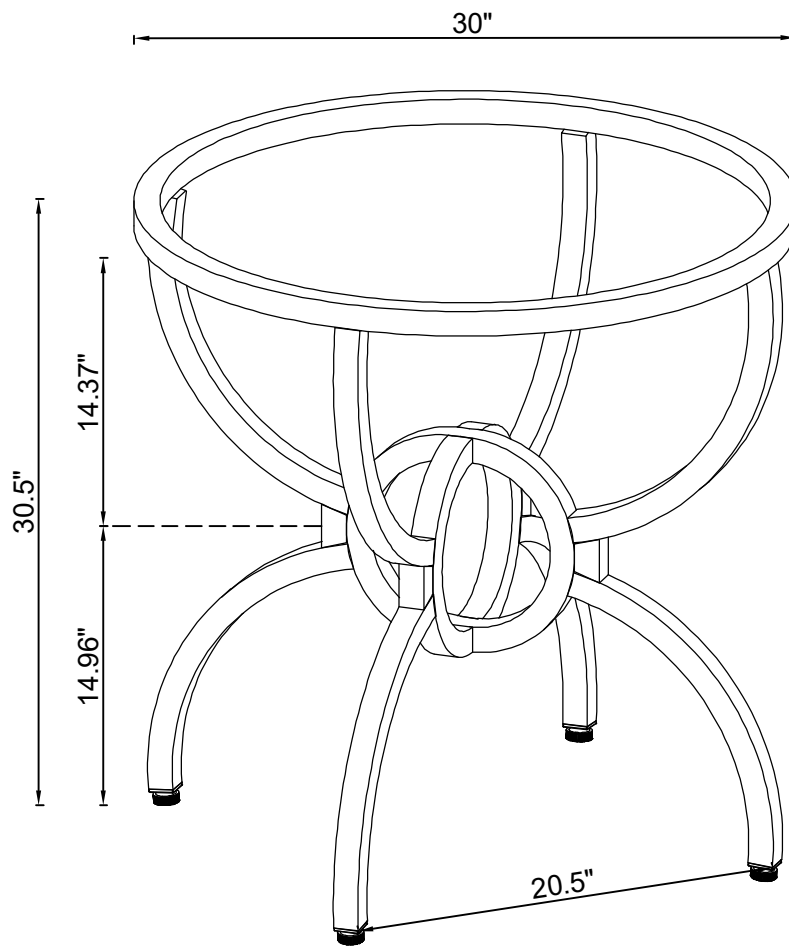
STEP 6 *GLASS (PART#A) SOLD SEPARATELY.*
COMPLETE



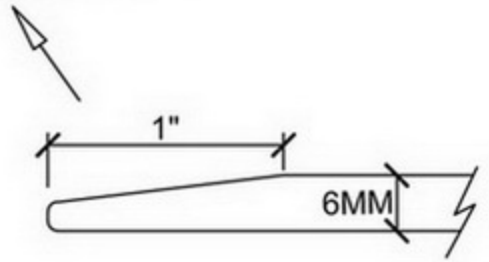
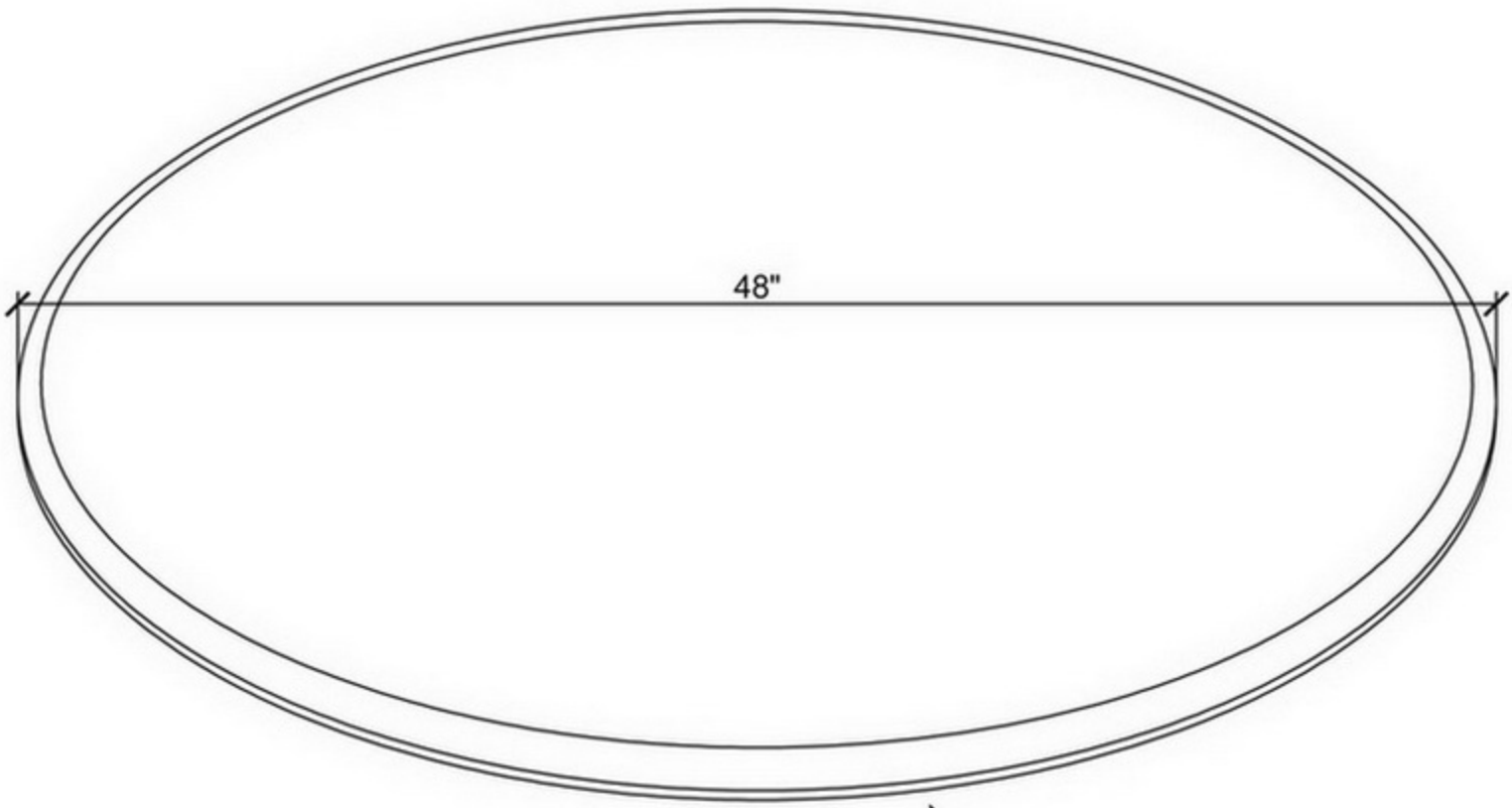
ITEM:108291 ASSEMBLY INSTRUCTIONS

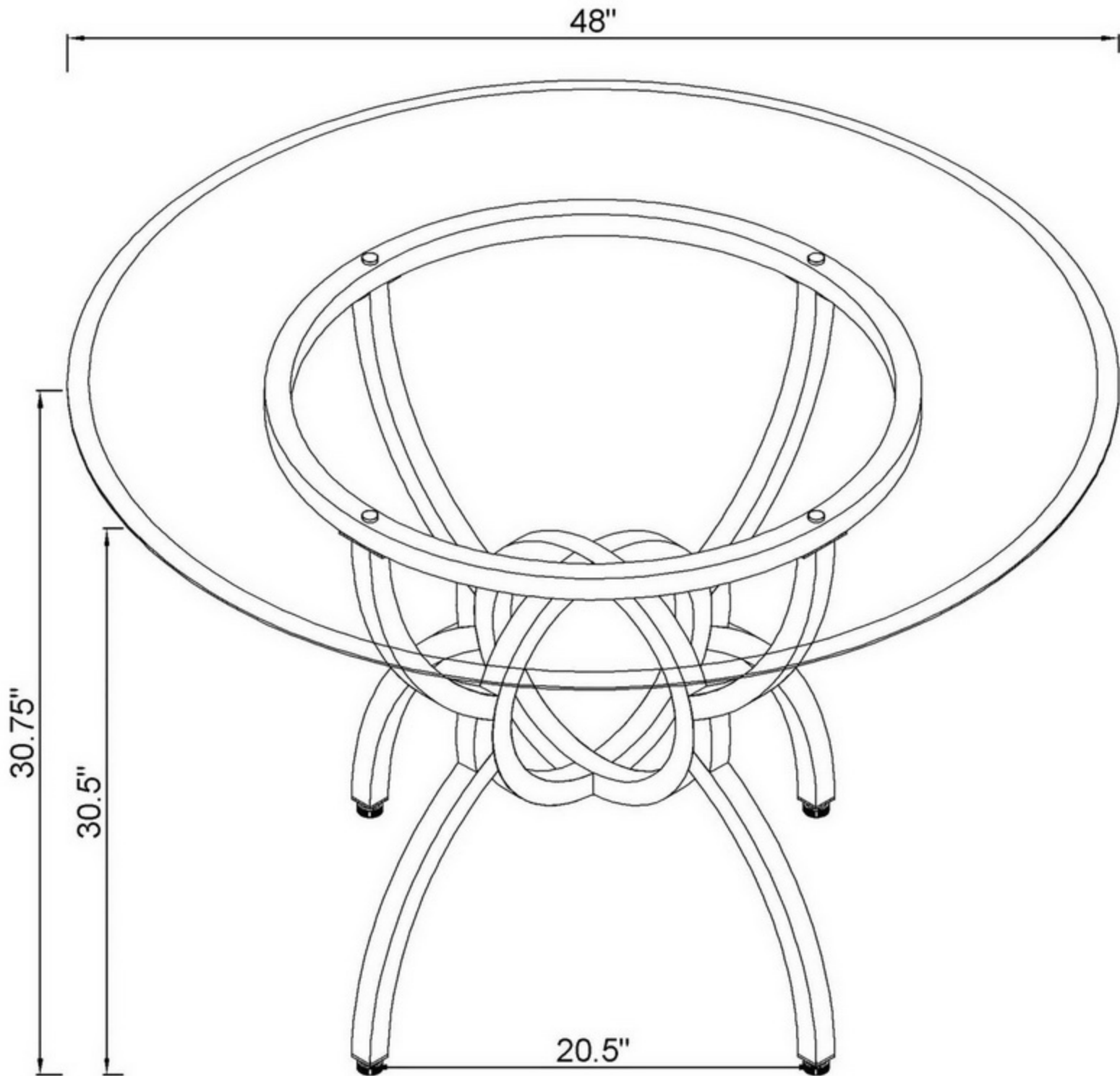


Product Size : 762 DIA X 775 H (MM)
Product Size : 30" DIA X 30.5"



Note : Dimension tolerance $\pm 5\%$





ASSEMBLY INSTRUCTIONS
COASTER FINE FURNITURE



Fine Furniture for every stage of life

109292

Dining Side Chair

ITEM: **109292**



ASSEMBLY INSTRUCTIONS

ASSEMBLY TIPS:

1. Remove hardware from box and sort by size.
2. Please check to see that all hardware and parts are present prior to start of assembly.
3. Please follow attached instructions in the same sequence as numbered to assure fast & easy assembly.



WARNING!

1. Don't attempt to repair or modify parts that are broken or defective. Please contact the store immediately.
2. This product is for home use only and not intended for commercial establishments.



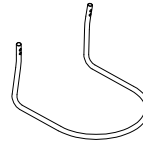
ASSEMBLY TIME

15 MINUTES

PARTS IDENTIFICATION

AV

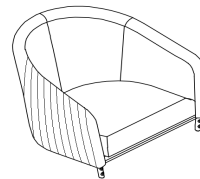
BASE



1PC

BV

SEAT AND BACK



1PC

HARDWARE IDENTIFICATION

1

BOLT
(Ø5/16" x 15mm - BLK)



4PCS

2

LOCK WASHER
(Ø5/16" - BLK)



4PCS

3

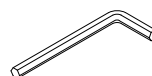
FLAT WASHER
(Ø5/16" - BLK)



4PCS

4

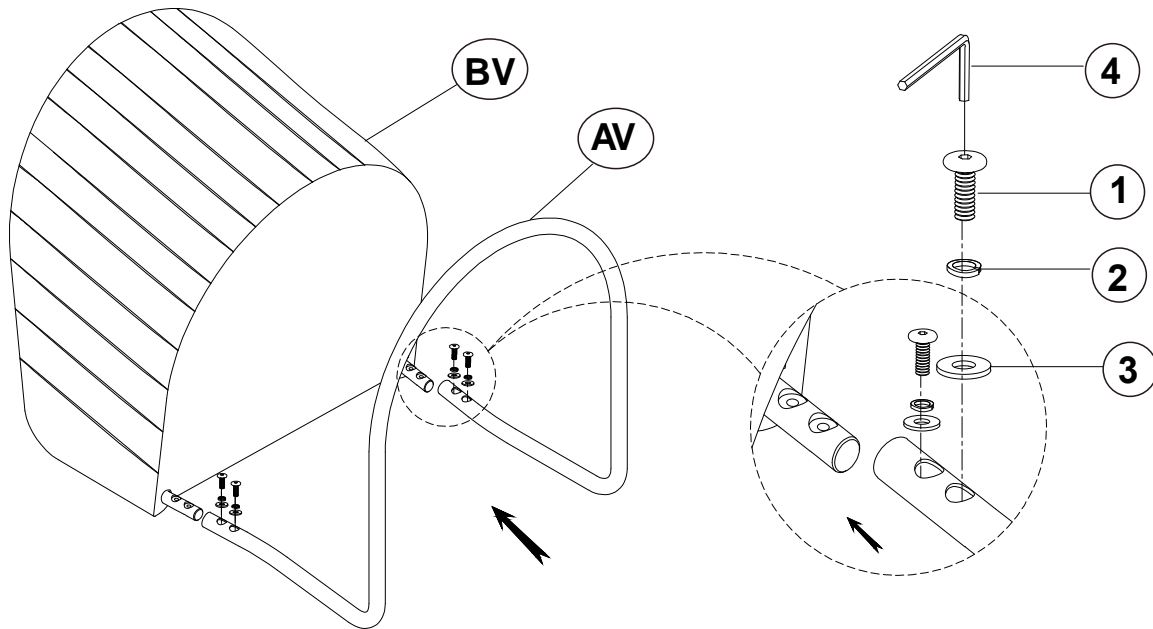
ALLEN WRENCH
(M4 - BLK)



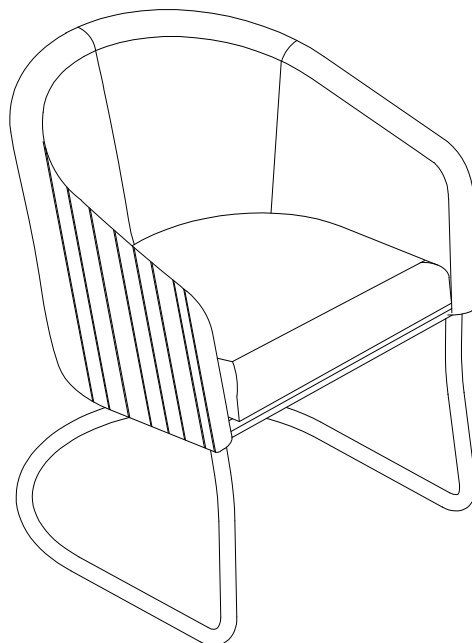
1PC

ITEM: **109292**

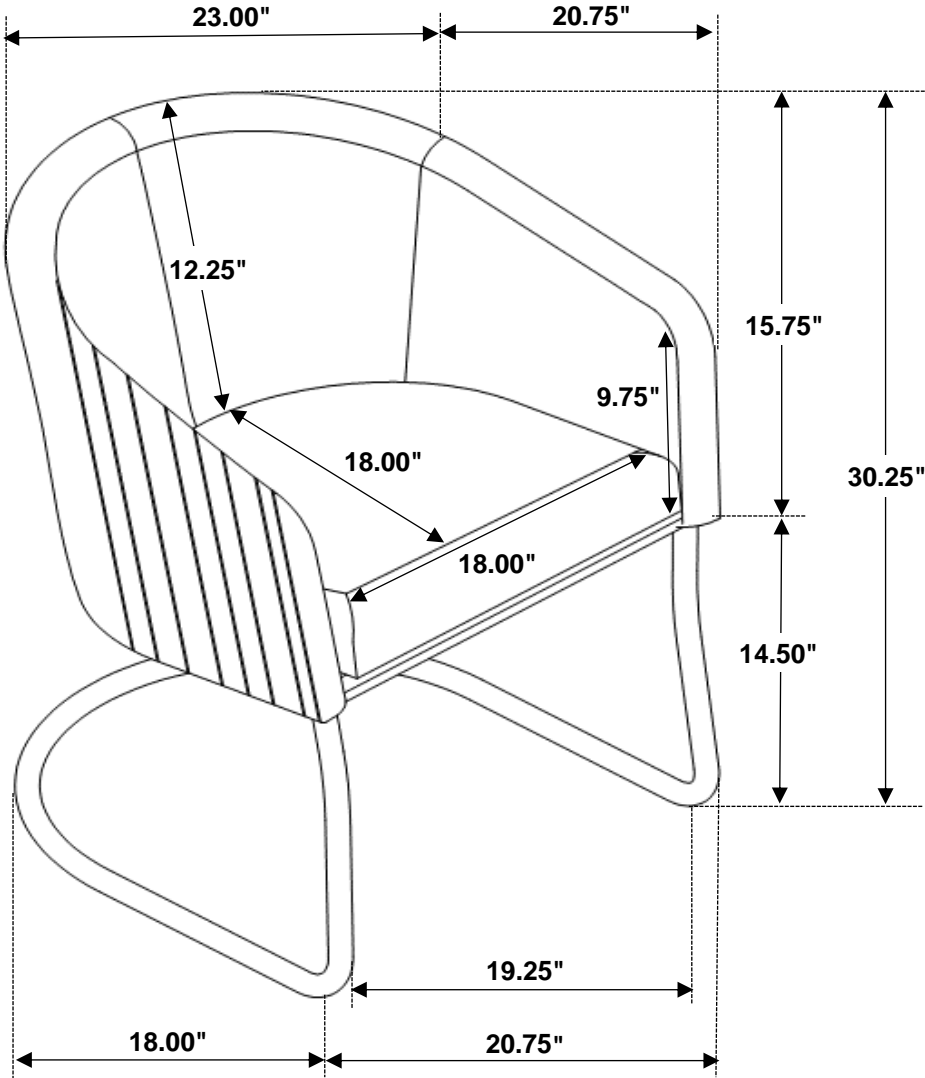
ASSEMBLY INSTRUCTIONS
STEP 1



STEP 2
COMPLETE



ITEM: **109292**



Note: Dimension tolerance $\pm 5\%$