

*ASSEMBLY INSTRUCTIONS*  
*COASTER FINE FURNITURE*



*Fine Furniture for every stage of life*

**109460 (B1&B2)**  
***Dining Table***

# ITEM: 109460(B1&B2)

## ASSEMBLY INSTRUCTIONS

### ASSEMBLY TIPS:

1. Remove hardware from box and sort by size.
2. Please check to see that all hardware and parts are present prior to start of assembly.
3. Please follow attached instructions in the same sequence as numbered to assure fast & easy assembly.



### WARNING!

1. Don't attempt to repair or modify parts that are broken or defective. Please contact the store immediately.
2. This product is for home use only and not intended for commercial establishments.



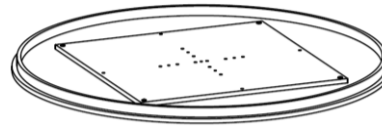
ASSEMBLY TIME

30 MINUTES

## PARTS IDENTIFICATION

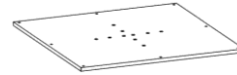
### B1 (BOX 1)

A TOP



1PC

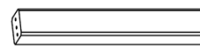
B MOUNTING PLATE  
(PRE-ATTACHED TO TOP)



1PC

### B2 (BOX 2)

C PEDESTAL



1PC

D LEG



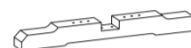
4PCS

E UPPER BASE



1PC

F LOWER BASE



1PC

# ITEM: 109460(B1&B2)

## ASSEMBLY INSTRUCTIONS

### ASSEMBLY TIPS:

1. Remove hardware from box and sort by size.
2. Please check to see that all hardware and parts are present prior to start of assembly.
3. Please follow attached instructions in the same sequence as numbered to assure fast & easy assembly.



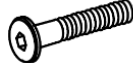







### WARNING!

1. Don't attempt to repair or modify parts that are broken or defective. Please contact the store immediately.
2. This product is for home use only and not intended for commercial establishments.

## HARDWARE IDENTIFICATION

### Z-B1 (BOX 1) - HARDWARE PACK IS LOCATED IN 109460 (B1)

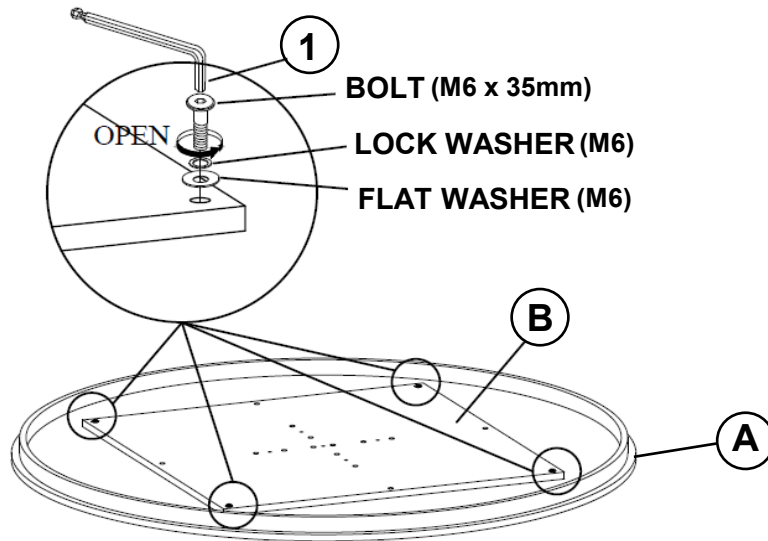
1	<b>ALLEN WRENCH</b> (M4 x 100mm - BLK)		1PC
2	<b>SHORT BOLT</b> (M6 x 35mm - RBW)		14PCS
3	<b>MEDIUM BOLT</b> (M6 x 50mm - RBW)		1PC
4	<b>LONG BOLT</b> (M6 x 90mm - RBW)		10PCS
5	<b>LOCK WASHER</b> (M6 - RBW)		25PCS
6	<b>FLAT WASHER</b> (M6 - RBW)		14PCS
7	<b>PLASTIC DOWEL</b> (M8 x 30mm - BLK)		10PCS
8	<b>LEVELER</b> (M6 x 23mm - BLK)		4PCS

# ITEM: 109460(B1&B2)

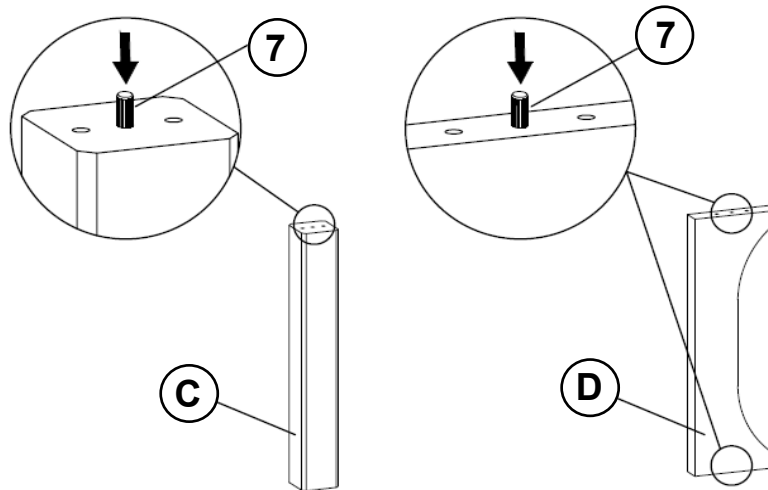
## ASSEMBLY INSTRUCTIONS

### STEP 1

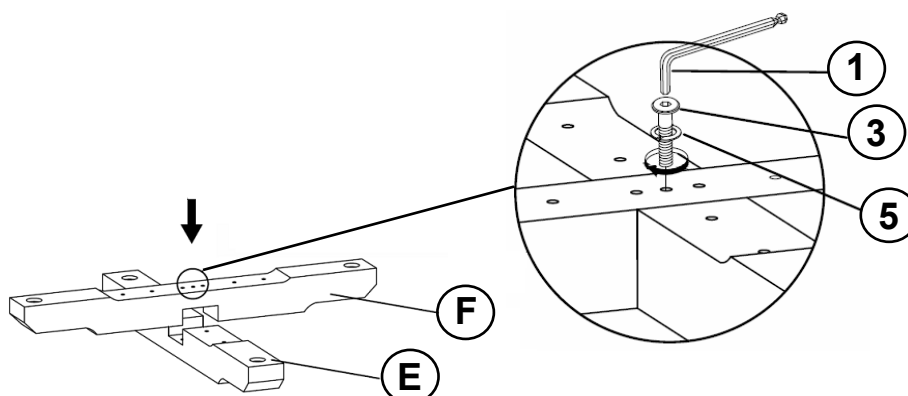
Attention! Please remove part B and all hardware from TOP (A), using ALLEN WRENCH (1) and keep for STEP 9.



### STEP 2



### STEP 3

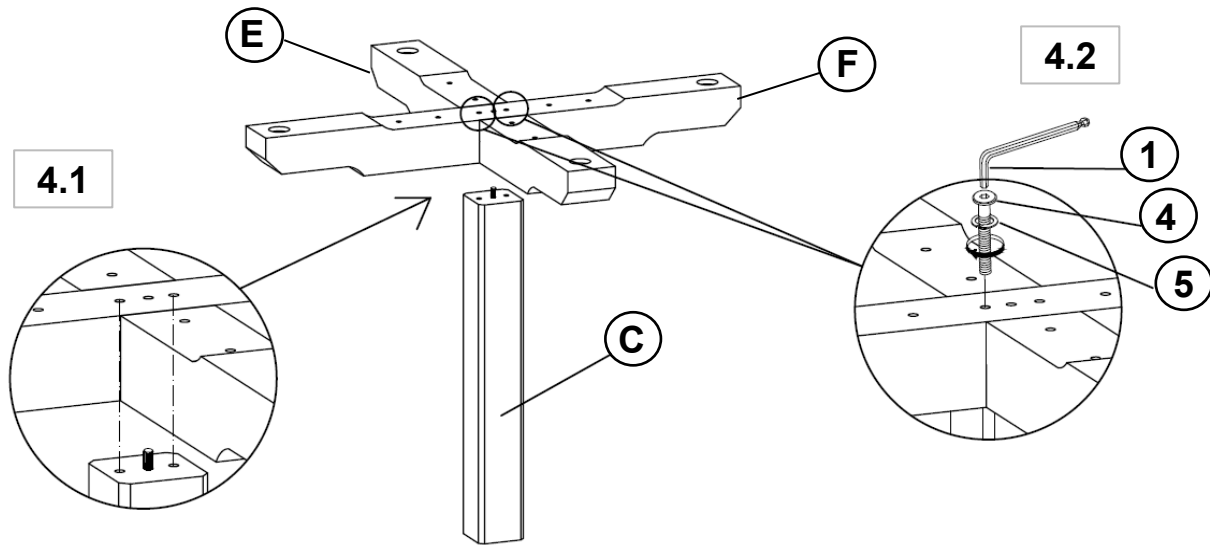


# ITEM: 109460(B1&B2)

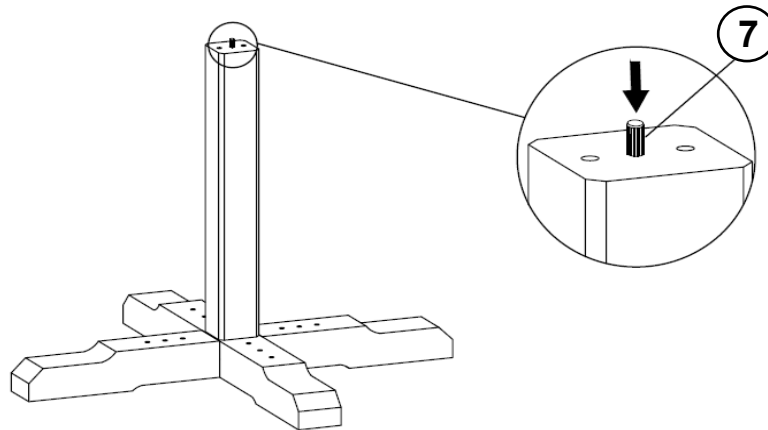
## ASSEMBLY INSTRUCTIONS



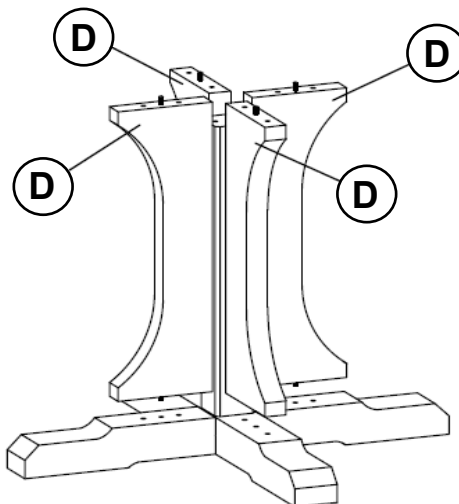
### STEP 4



### STEP 5



### STEP 6

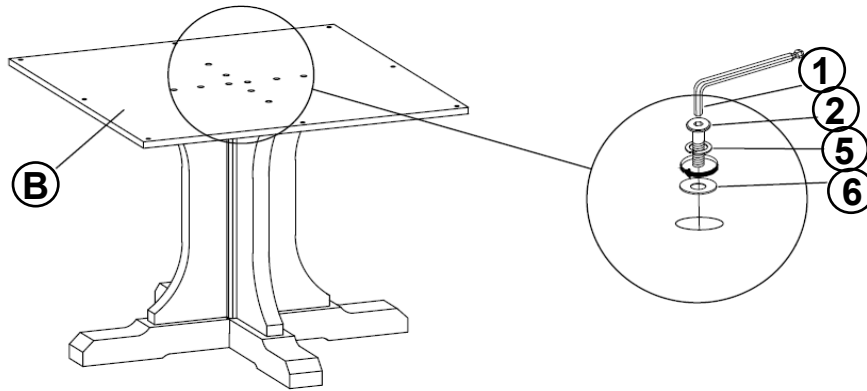


# ITEM: 109460(B1&B2)

## ASSEMBLY INSTRUCTIONS

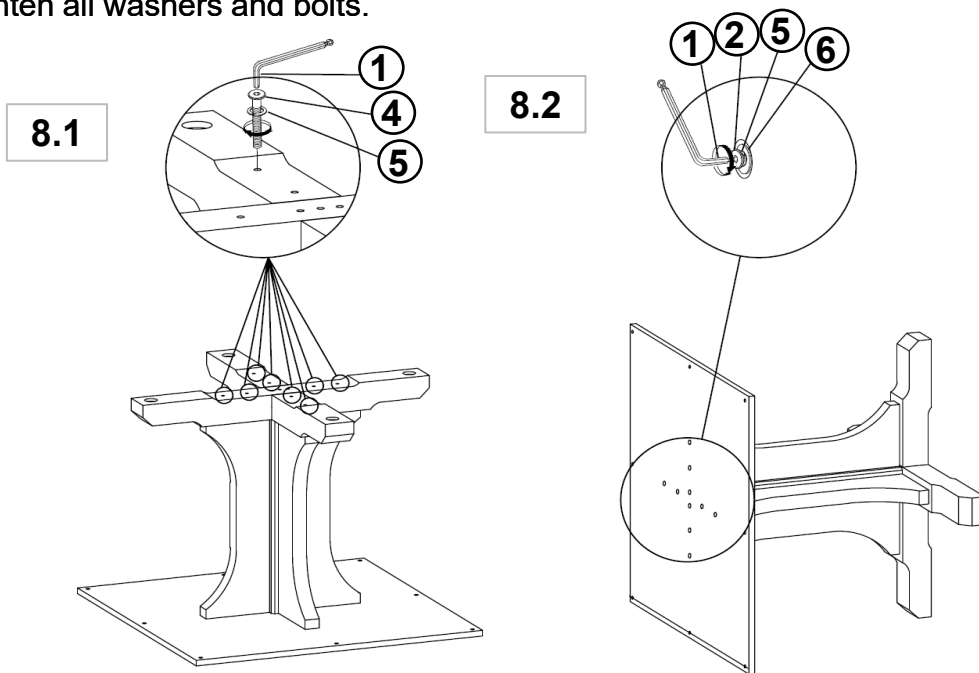


### STEP 7



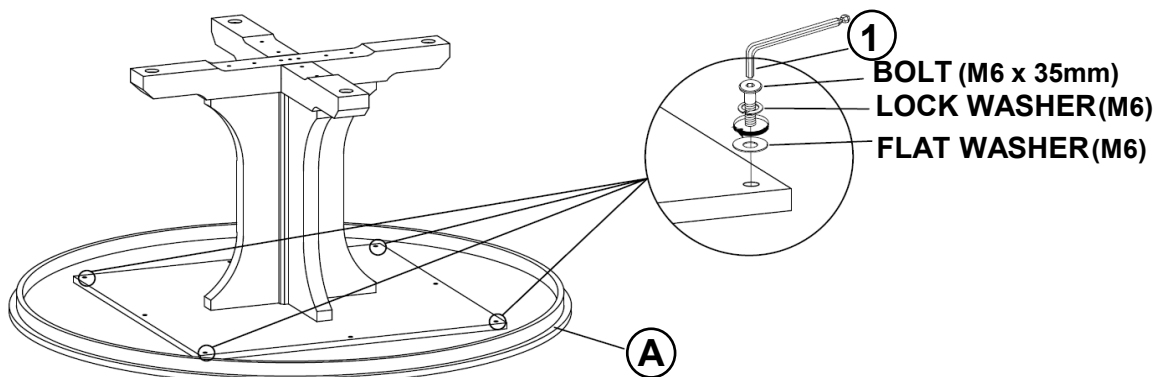
### STEP 8

\*\*Fully tighten all washers and bolts.



### STEP 9

Attention! Use hardware from STEP 1 for this STEP.

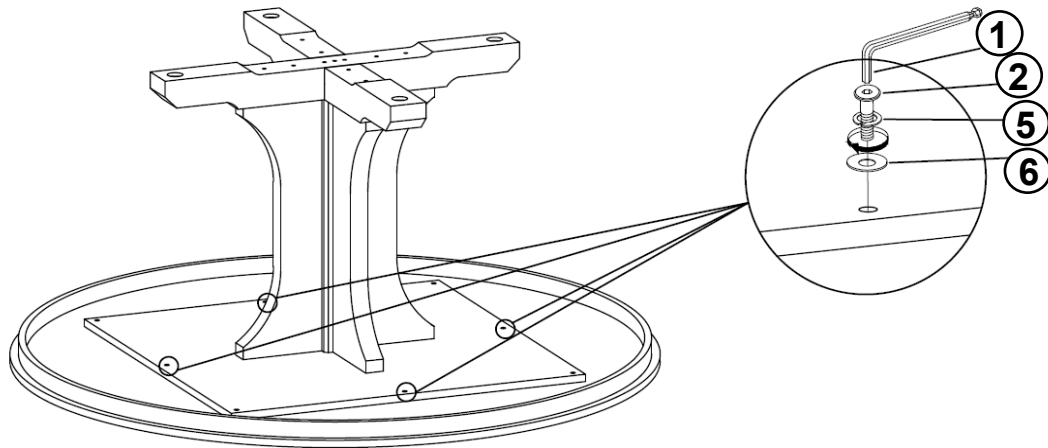


# ITEM: 109460(B1&B2)

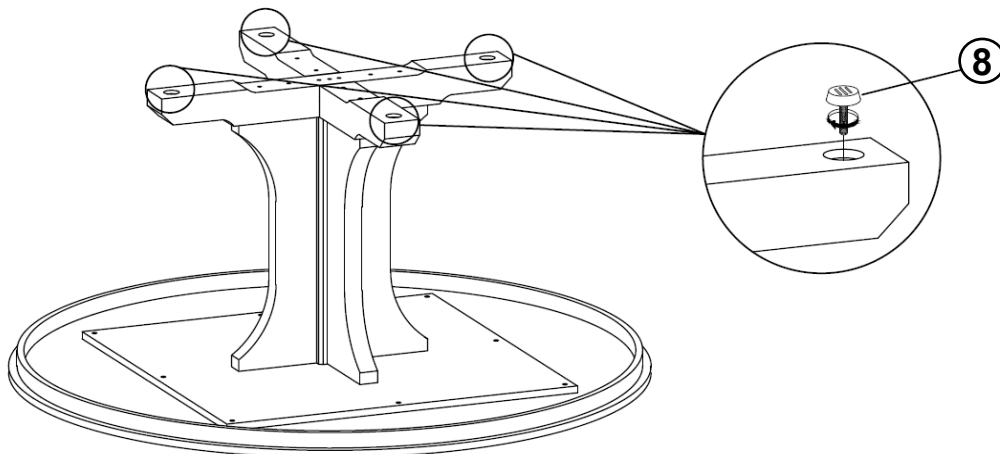
## ASSEMBLY INSTRUCTIONS



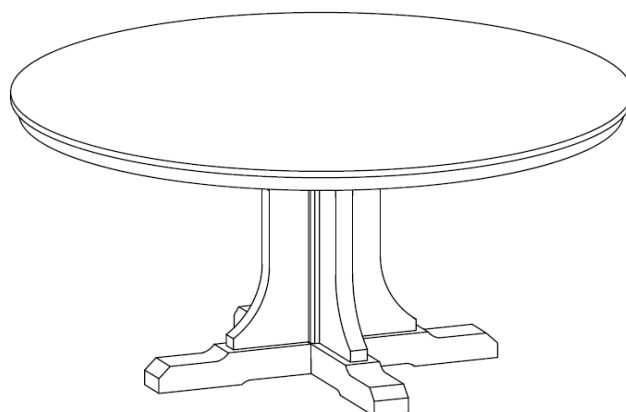
### STEP 10



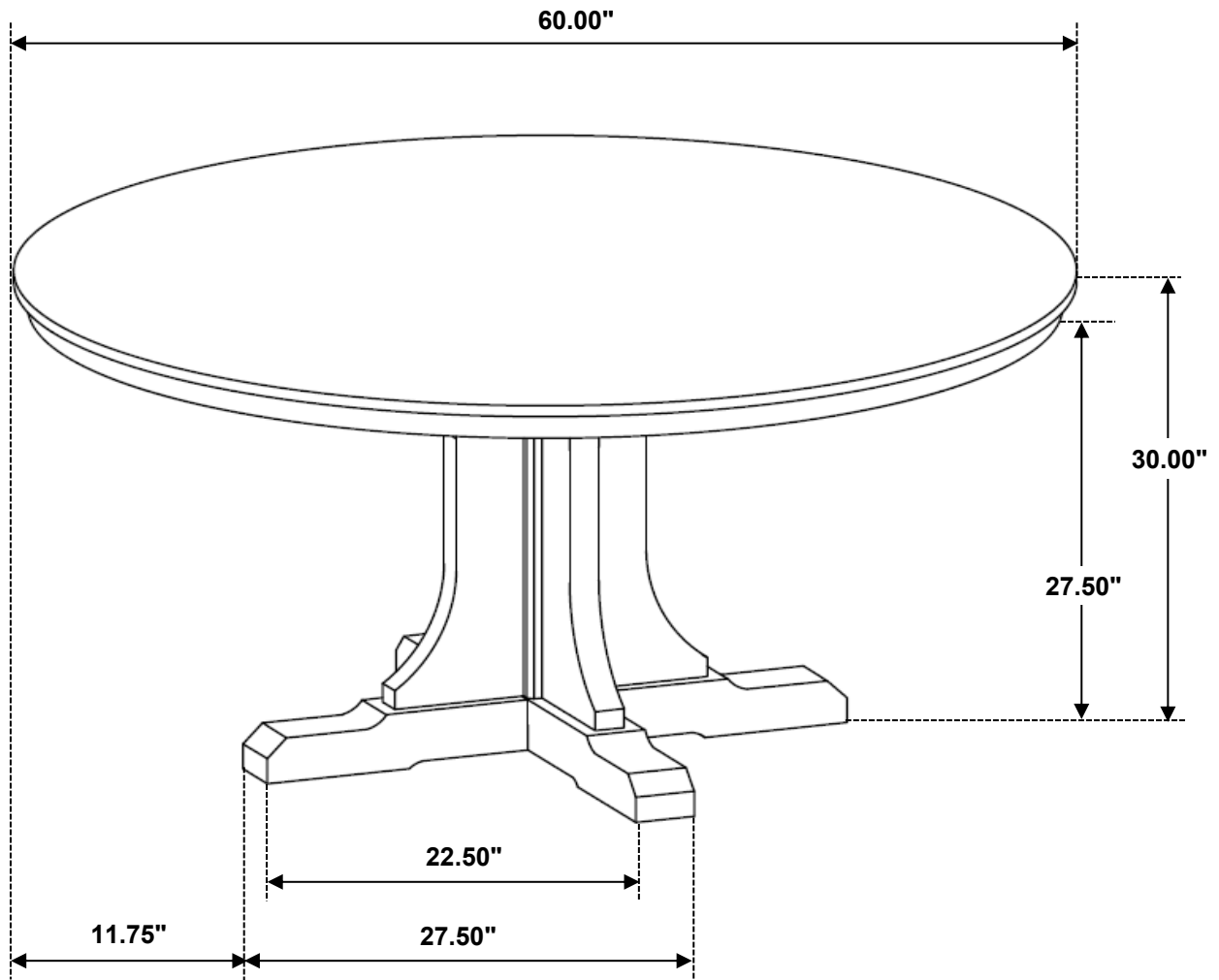
### STEP 11



### STEP 12 **COMPLETE**



ITEM: **109460(B1&B2)**



**Note: Dimension tolerance  $\pm 5\%$**





*ASSEMBLY INSTRUCTIONS*  
*COASTER FINE FURNITURE*



*Fine Furniture for every stage of life*

**109462**  
**Side Chair**

ITEM: **109462**



## ASSEMBLY INSTRUCTIONS

### ASSEMBLY TIPS:

1. Remove hardware from box and sort by size.
2. Please check to see that all hardware and parts are present prior to start of assembly.
3. Please follow attached instructions in the same sequence as numbered to assure fast & easy assembly.



### WARNING!

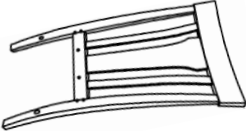
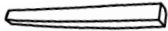
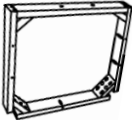
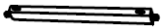

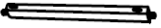
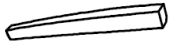
1. Don't attempt to repair or modify parts that are broken or defective. Please contact the store immediately.
2. This product is for home use only and not intended for commercial establishments.







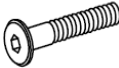

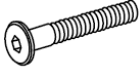

ASSEMBLY TIME

15 MINUTES

## PARTS IDENTIFICATION

A	BACK FRAME		1PC	E	RIGHT FRONT LEG		1PC
B	SEAT FRAME		1PC	F	LEFT SIDE STRETCHER		1PC
C	SEAT CUSHION		1PC	G	RIGHT SIDE STRETCHER		1PC
D	LEFT FRONT LEG		1PC				

## HARDWARE IDENTIFICATION

1	ALLEN WRENCH (M4 x 100mm - BLK)		1PC	5	LOCK WASHER (M6 - RBW)		10PCS
2	SHORT BOLT (M6 x 40mm - RBW)		2PCS	6	FLAT WASHER (M6 - RBW)		10PCS
3	MEDIUM BOLT (M6 x 60mm - RBW)		4PCS	7	SHORT FLAT HEAD SCREW (M4 x 25mm - RBW)		5PCS
4	LONG BOLT (M6 x 70mm - RBW)		4PCS	8	LONG FLAT HEAD SCREW (M4 x 38mm - RBW)		4PCS

### NOTE:

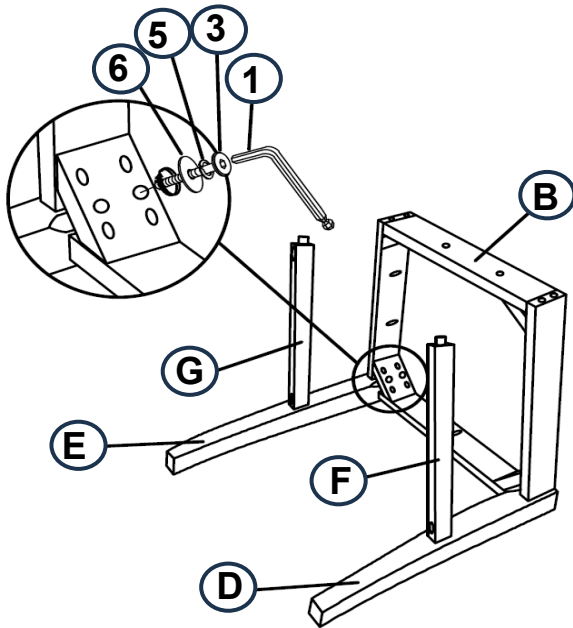
Quantities shown are for one chair.

Phillips head screw driver is required in the assembly process; however, manufacturer does not provide this item.

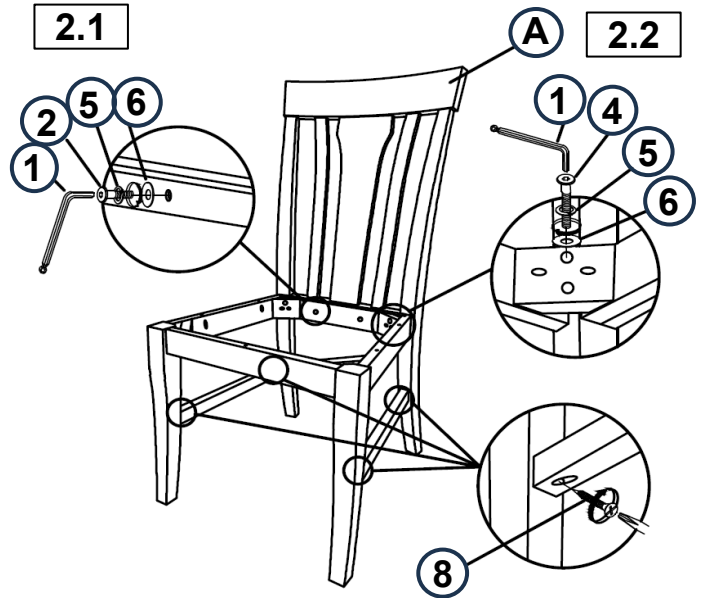
ITEM: **109462**

**ASSEMBLY INSTRUCTIONS**

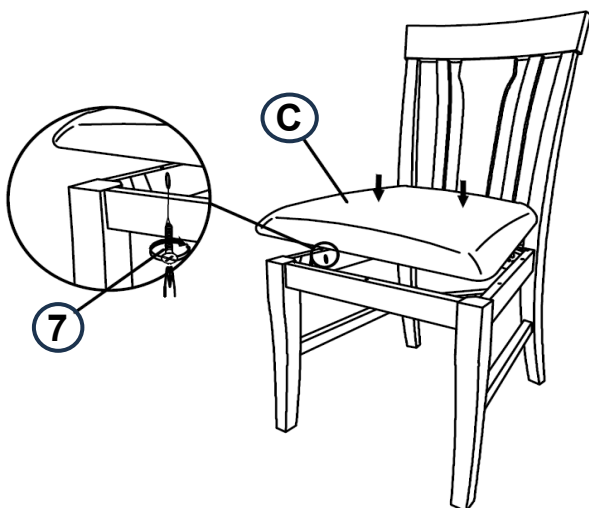
**STEP 1**



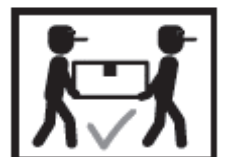
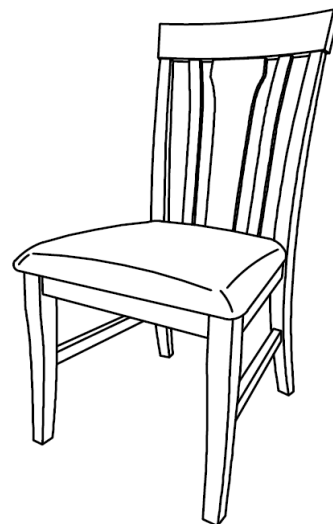
**STEP 2**



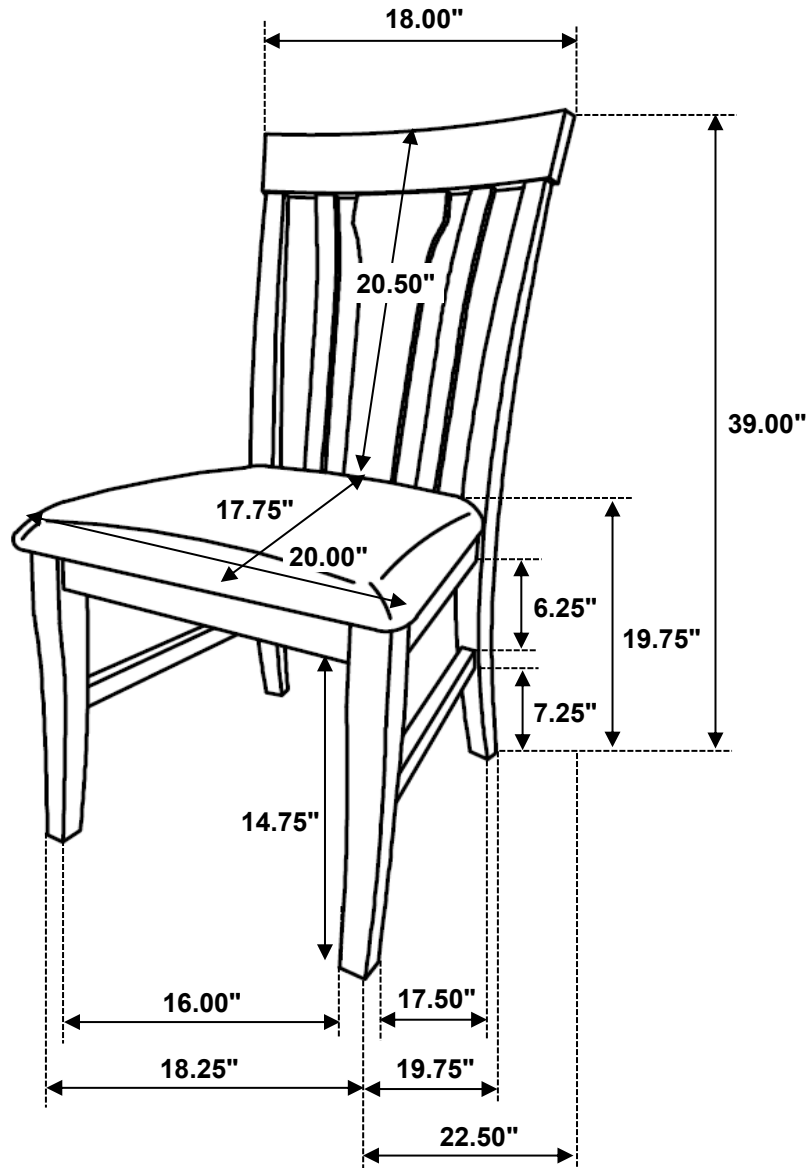
**STEP 3**



**STEP 4**  
**COMPLETE**



ITEM: 109462



Note: Dimension tolerance  $\pm 5\%$