



ASSEMBLY INSTRUCTIONS
COASTER FINE FURNITURE



Fine Furniture for every stage of life

110332FRT(B1&B2)
Side Chair

ITEM: 110332FRT(B1&B2)



ASSEMBLY INSTRUCTIONS

ASSEMBLY TIPS:

1. Remove hardware from box and sort by size.
2. Please check to see that all hardware and parts are present prior to start of assembly.
3. Please follow attached instructions in the same sequence as numbered to assure fast & easy assembly.



WARNING!

1. Don't attempt to repair or modify parts that are broken or defective. Please contact the store immediately.
2. This product is for home use only and not intended for commercial establishments.



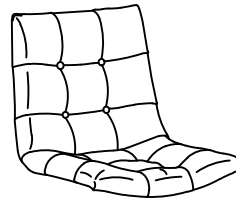
ASSEMBLY TIME

15 MINUTES

PARTS IDENTIFICATION

B1(BOX 1)

A SEAT AND BACK



1PC

B2(BOX 2)

B LEG



1PC

HARDWARE IDENTIFICATION

Z-B2(BOX2) - HARDWARE PACK IS LOCATED IN 110332: RT(B2)

1 BOLT
(Ø1/4" x 25mm - BLK)



4PCS

2 FLAT WASHER
(Ø1/4" x 16mm - BLK)



4PCS

3 LOCK WASHER
(Ø1/4" x 12mm - BLK)



4PCS

4 ALLEN WRENCH
(M4 x 59mm - BLK)



1PC

NOTE.

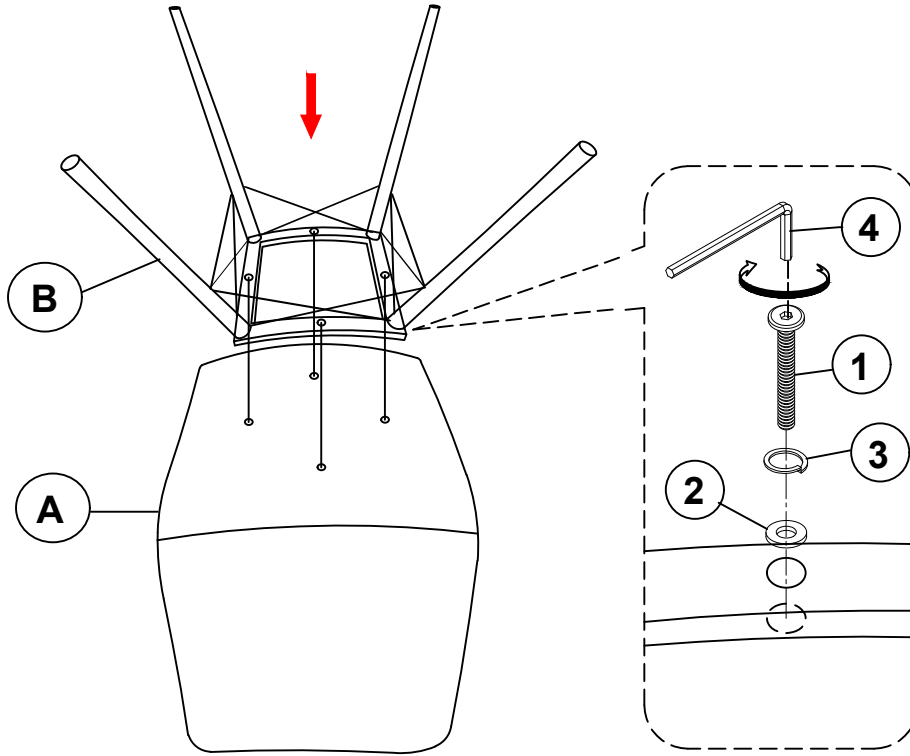
Ei Ubi jmg\ ck b Uj Zf cbY W Ujf"

ITEM: 110332FRT(B1&B2)

ASSEMBLY INSTRUCTIONS

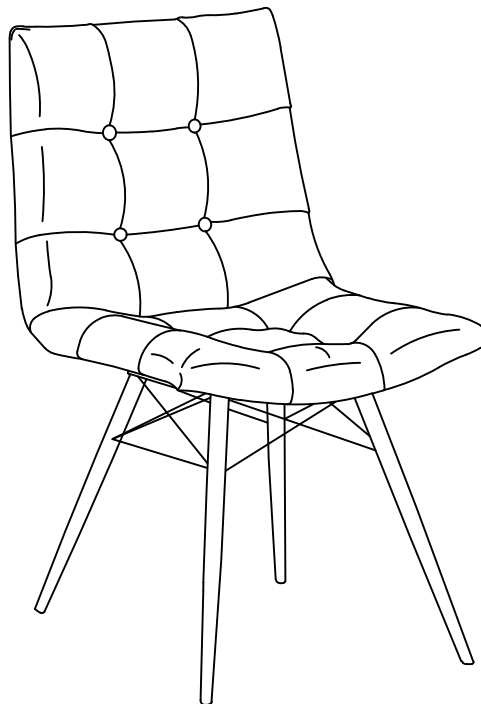


STEP 1

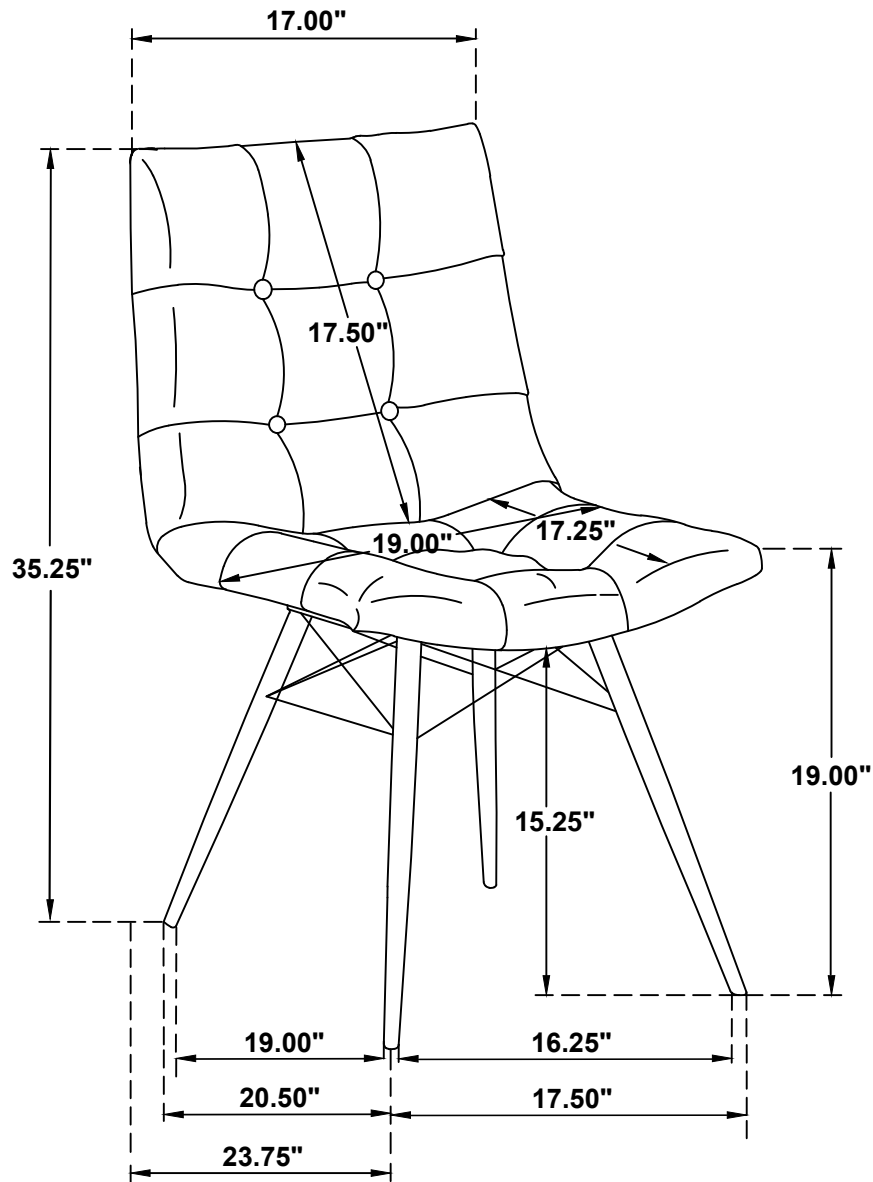


BOTTOM VIEW

STEP 2 COMPLETE



ITEM: 110332FRT(B1&B2)



Note: Dimension tolerance $\pm 5\%$