

ASSEMBLY INSTRUCTIONS
COASTER FINE FURNITURE



Fine Furniture for every stage of life

115558
COUNTER HEIGHT TABLE

ITEM : 115558

ASSEMBLY INSTRUCTIONS

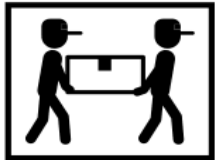
ASSEMBLY TIPS:

- 1.Remove hardware from box and sort by size.
- 2.Please check to see that all hardware and parts are present prior to start of assembly.
- 3.Please follow attached instruction in the same sequence as numbered to assure fast & easy assembly.



WARNING!

- 1.Don't attempt to repair or modify parts that are broken or defective. Please contact the store
- 2.This product is for home use only and not intended for commercial establishment.



ASSEMBLY TIME

10 MINUTES

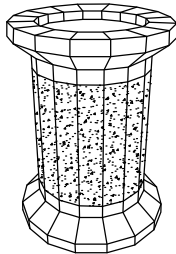
PARTS IDENTIFICATION

HARDWARE

A GLASS TOP 1PC



B BASE 1PC



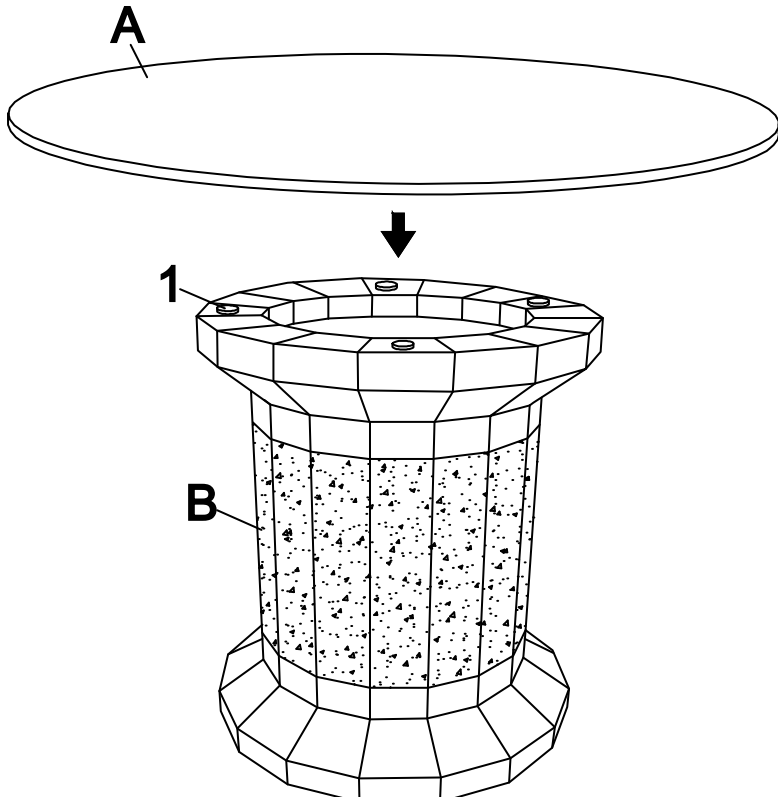
1 SUCTION CUP 4PC



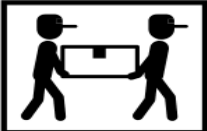
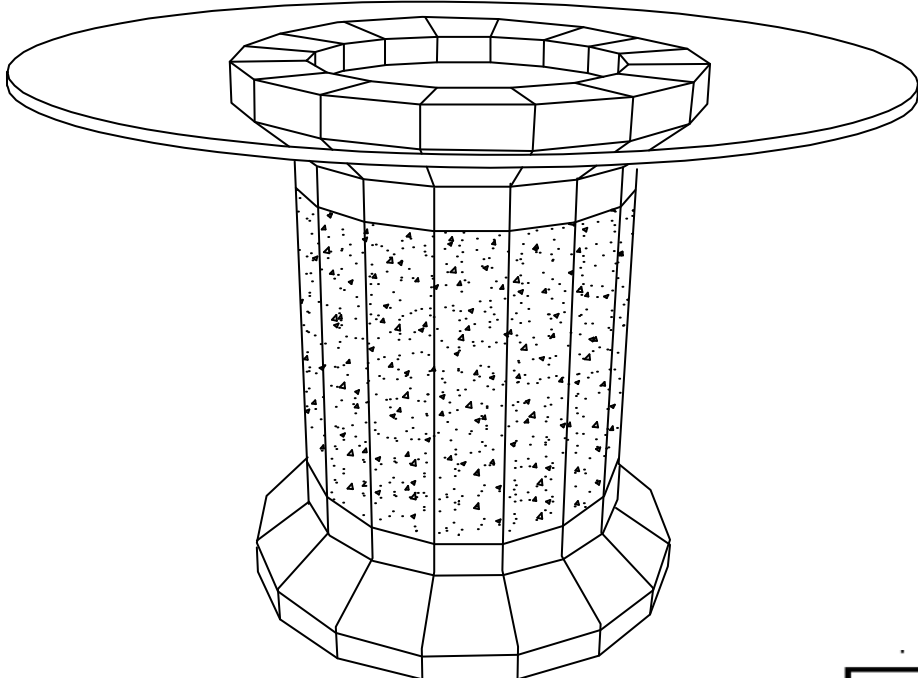
ITEM : 115558

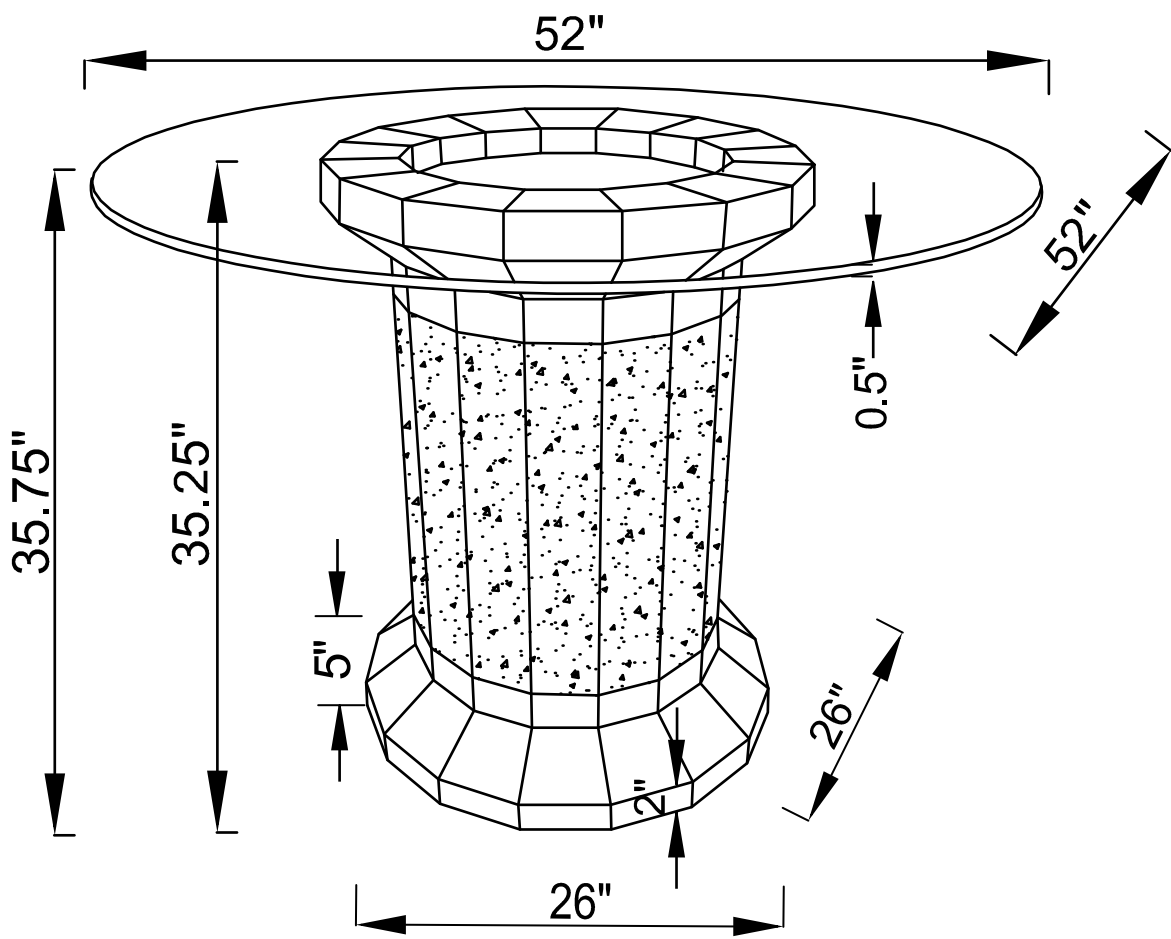
ASSEMBLY INSTRUCTIONS

STEP 1

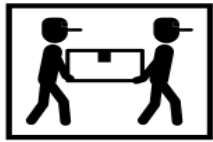


STEP 2





Note: Dimension tolerance $\pm 5\%$



ASSEMBLY INSTRUCTIONS
COASTER FINE FURNITURE



Fine Furniture for every stage of life

192549
Counter Height Stool

REVISION 0: 04/29/2021

REVISION 1: 08/11/2022

REVISION 2: 11/15/2023

PAGE 1 OF 5

COASTERFURNITURE.COM

ITEM:192549



ASSEMBLY INSTRUCTIONS

ASSEMBLY TIPS:

1. Remove hardware from box and sort by size.
2. Please check to see that all hardware and parts are present prior to start of assembly.
3. Please follow attached instructions in the same sequence as numbered to assure fast & easy assembly.

Warning !!

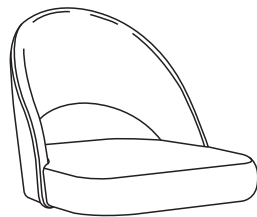
1. Don't attempt to repair or modify parts that are broken or defective. Please contact the store immediately.
2. This product is for home use only and not intended for commercial establishment.

ASSEMBLY TIME

15 MINUTES

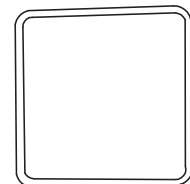
PARTS IDENTIFICATION

A BACK AND SEAT



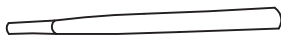
1PC

D FOOTREST



1PC

B LEG



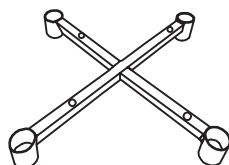
4PCS

E GOLDEN LEG RING



4PCS

C CROSSBAR

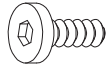


1PC

Z

HARDWARE IDENTIFICATION

1 BOLT (M6 x 35mm - BLK)



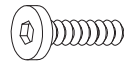
4PCS

2 BOLT (M6 x2 5mm - GD)



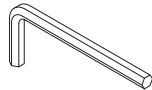
4PCS

3 BOLT (M8 x 55mm - BLK)



4PCS

4 ALLEN WRENCH (5mm - GD)



1PC

5 BOLT WASHER (Ø8 x 20 x 2mm - BLK)



4PCS

6 WASHER (Ø6 x 20 x 2mm - BLK)



4PCS

7 ALLEN WRENCH (4mm - GD)



1PC

NOTE:

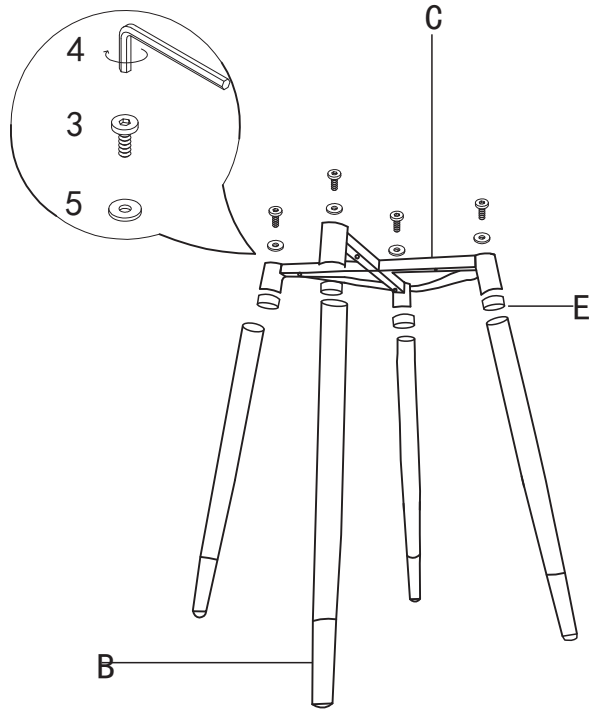
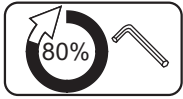
Quantities shown are for one stool.

ITEM: 192549

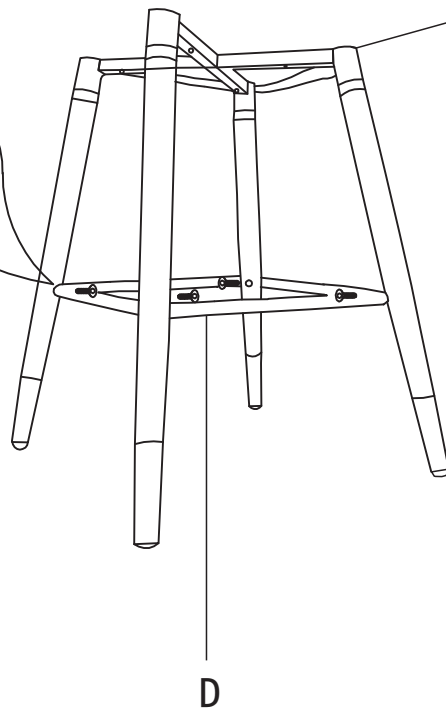
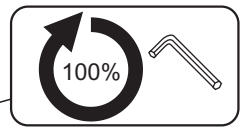
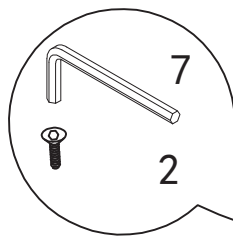
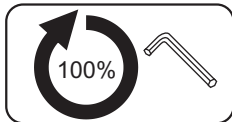
ASSEMBLY INSTRUCTIONS



STEP 1



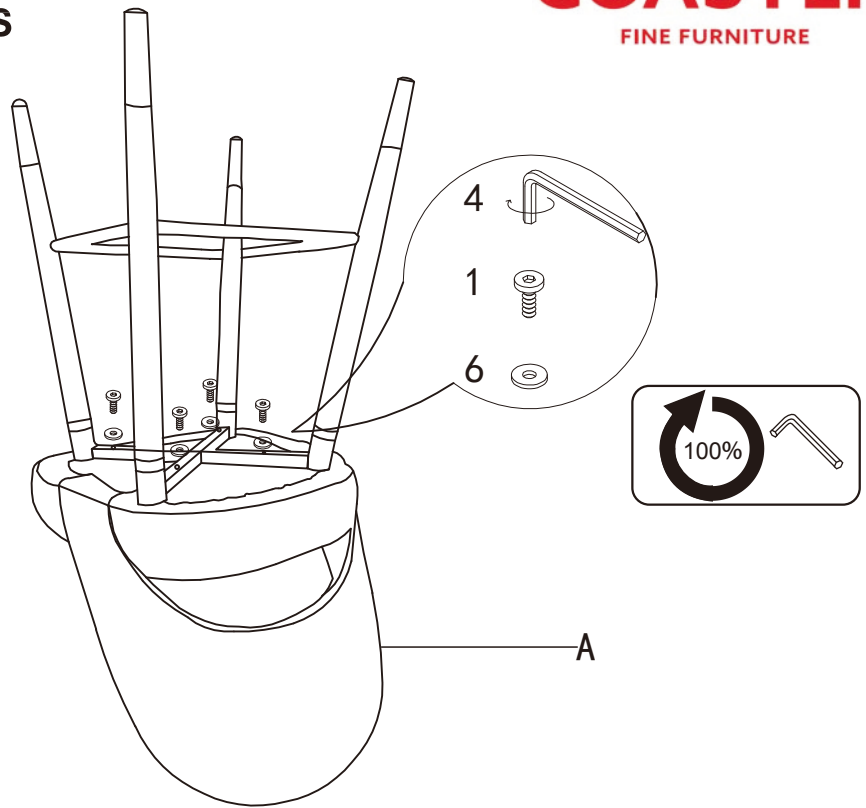
STEP 2



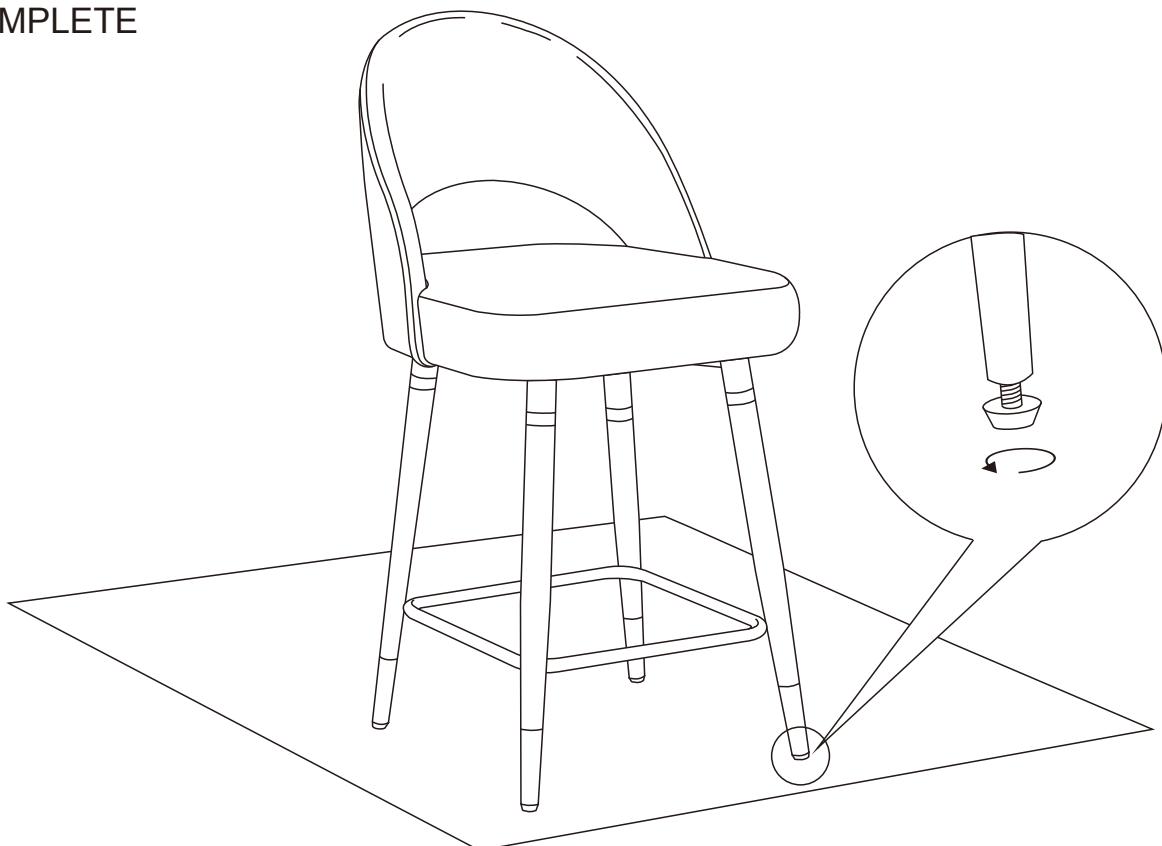
ITEM: **192549**

ASSEMBLY INSTRUCTIONS

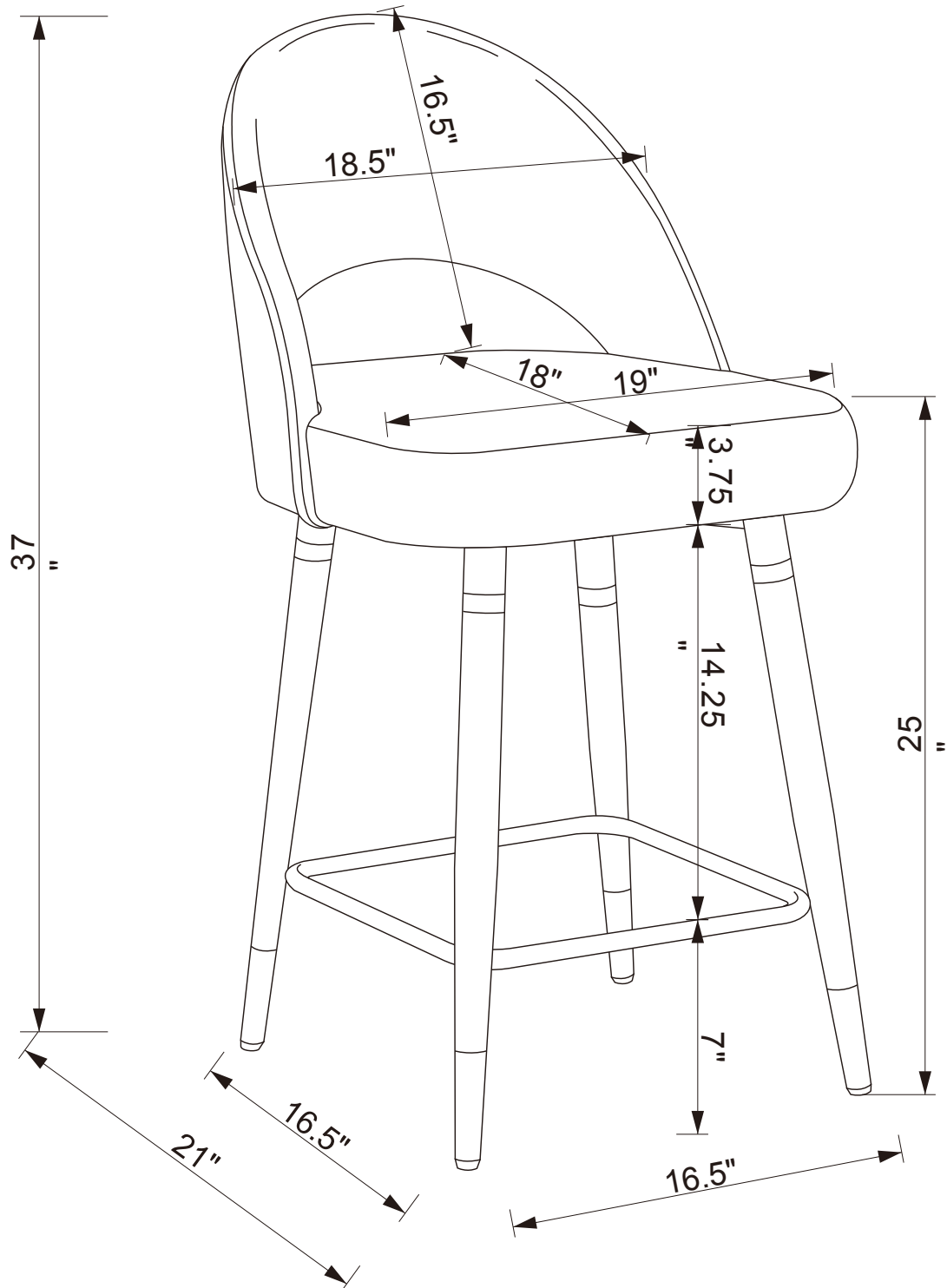
STEP 3



STEP 4
COMPLETE



ITEM:192549



Note: Dimension tolerance $\pm 5\%$