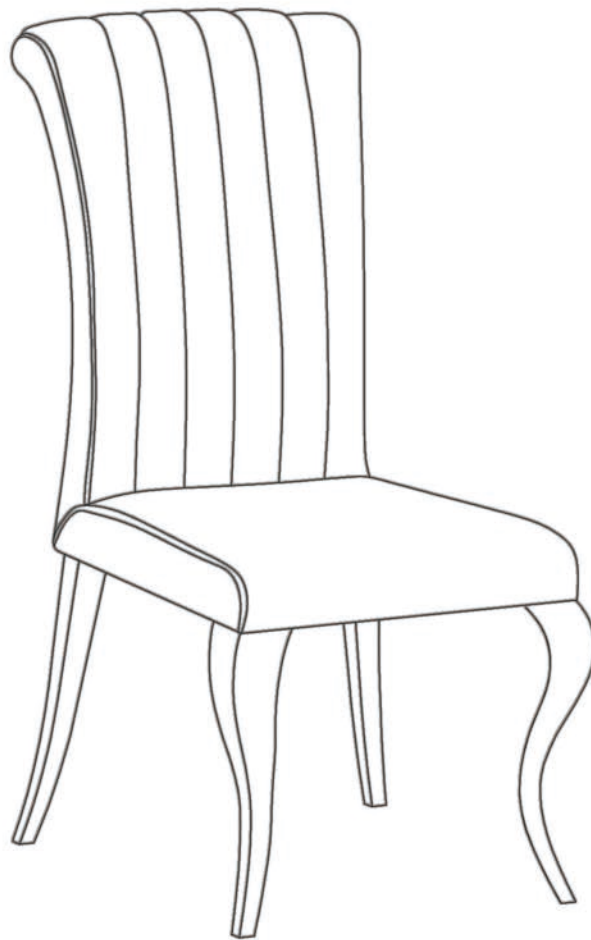


ASSEMBLY INSTRUCTIONS
COASTER FINE FURNITURE



Fine Furniture for every stage of life

105073(B1-B2)
Side Chair

ITEM: 105073(B1-B2)

ASSEMBLY INSTRUCTIONS

ASSEMBLY TIPS:

1. Remove hardware from box and sort by size.
2. Please check to see that all hardware and parts are present prior to start of assembly.
3. Please follow attached instructions in the same sequence as numbered to assure fast & easy assembly.



WARNING!

1. Don't attempt to repair or modify parts that are broken or defective. Please contact the store immediately.
2. This product is for home use only and not intended for commercial establishments.



ASSEMBLY TIME

5 MINUTES

PARTS IDENTIFICATION

B1(BOX 1)

A SEAT AND BACK



1PC

B2(BOX 2)

B BASE

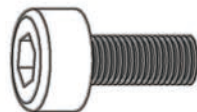


1PC

Z

HARDWARE IDENTIFICATION

1 BOLTS M6*25



4PCS

2 FLAT WASHER Ø6*16



4PCS

3 ALLEN WRENCH 4MM



1PC

NOTE:

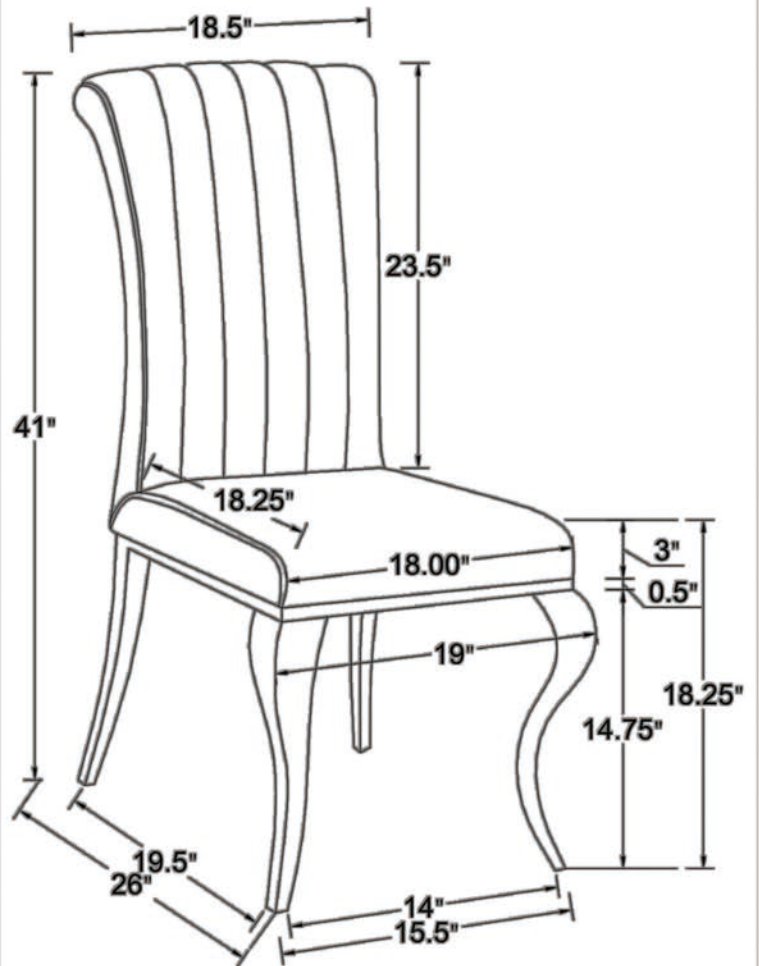
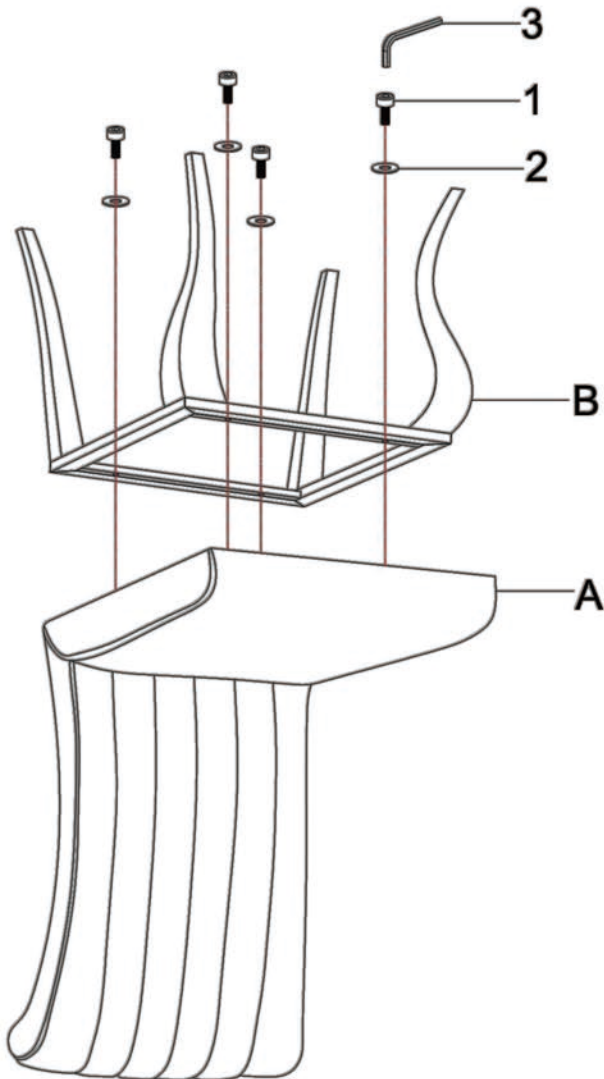
Quantities shown are for one chair.

Hardware pack is located in 105073B2

ITEM: 105073(B1-B2)

ASSEMBLY INSTRUCTIONS

STEP 1



ASSEMBLY INSTRUCTIONS
COASTER FINE FURNITURE



Fine Furniture for every stage of life

115561

DINING TABLE

ITEM : 115561

ASSEMBLY INSTRUCTIONS

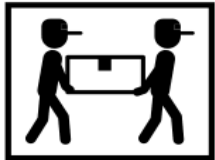
ASSEMBLY TIPS:

- 1.Remove hardware from box and sort by size.
- 2.Please check to see that all hardware and parts are present prior to start of assembly.
- 3.Please follow attached instruction in the same sequence as numbered to assure fast & easy assembly.



WARNING!

- 1.Don't attempt to repair or modify parts that are broken or defective. Please contact the store
- 2.This product is for home use only and not intended for commercial establishment.



ASSEMBLY TIME

10 MINUTES

PARTS IDENTIFICATION

HARDWARE

A GLASS TOP 1PC



B BASE 1PC



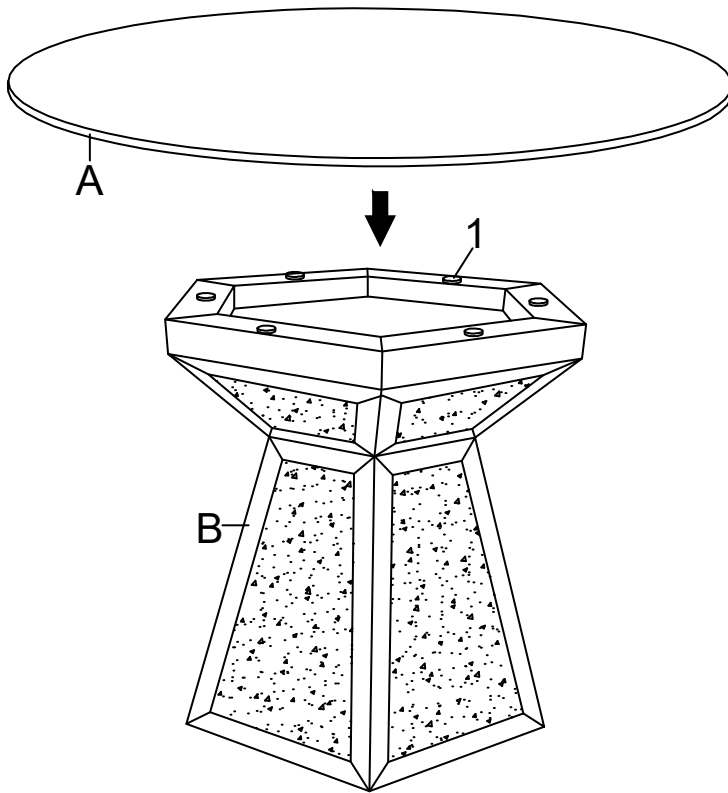
1 SUCTION CUP 6PC



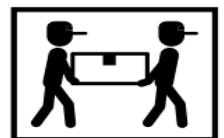
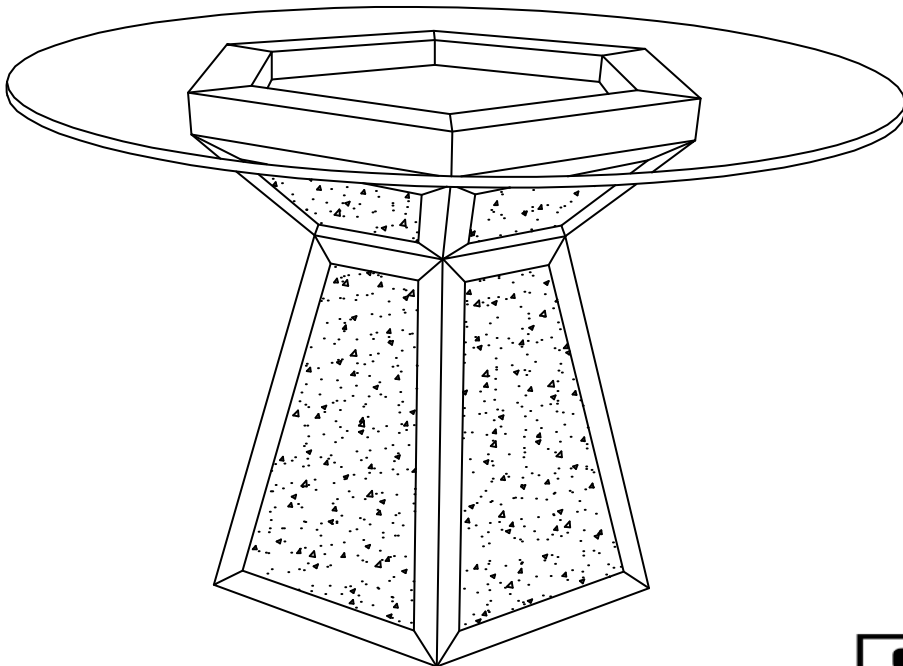
ITEM : 115561

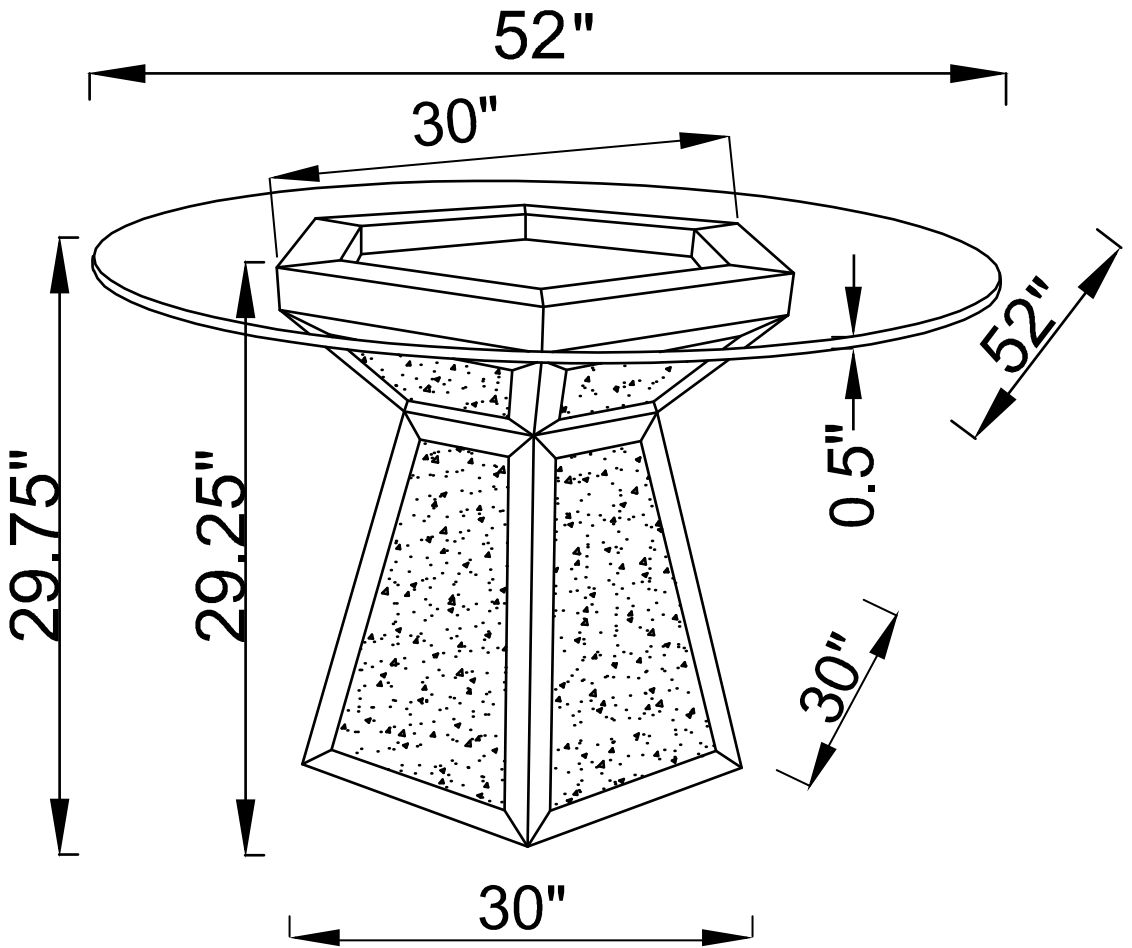
ASSEMBLY INSTRUCTIONS

STEP 1



STEP 2





Note: Dimension tolerance $\pm 5\%$

