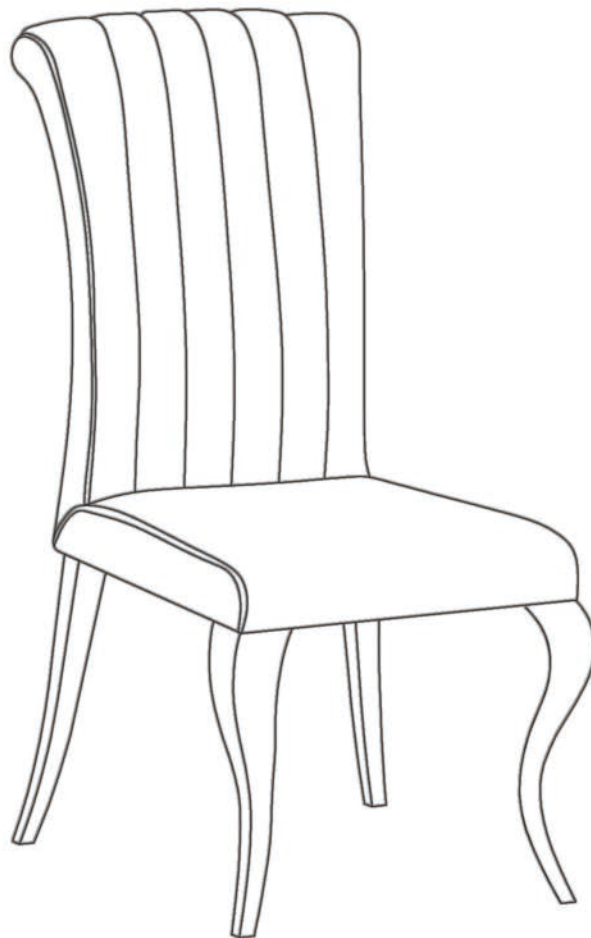


**ASSEMBLY INSTRUCTIONS**  
**COASTER FINE FURNITURE**



*Fine Furniture for every stage of life*

**105076(B1-B2)**  
**Side Chair**

# ITEM: 105076(B1-B2)

## ASSEMBLY INSTRUCTIONS

### ASSEMBLY TIPS:

1. Remove hardware from box and sort by size.
2. Please check to see that all hardware and parts are present prior to start of assembly.
3. Please follow attached instructions in the same sequence as numbered to assure fast & easy assembly.



### WARNING!

1. Don't attempt to repair or modify parts that are broken or defective. Please contact the store immediately.
2. This product is for home use only and not intended for commercial establishments.



ASSEMBLY TIME

5 MINUTES

## PARTS IDENTIFICATION

### B1(BOX 1)

A SEAT AND BACK



1PC

### B2(BOX 2)

B BASE

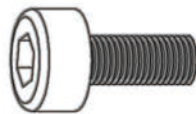


1PC

## Z

## HARDWARE IDENTIFICATION

1 BOLTS M6\*25



4PCS

2 FLAT WASHER Ø6\*16



4PCS

3 ALLEN WRENCH 4MM



1PC

### NOTE:

Quantities shown are for one chair.

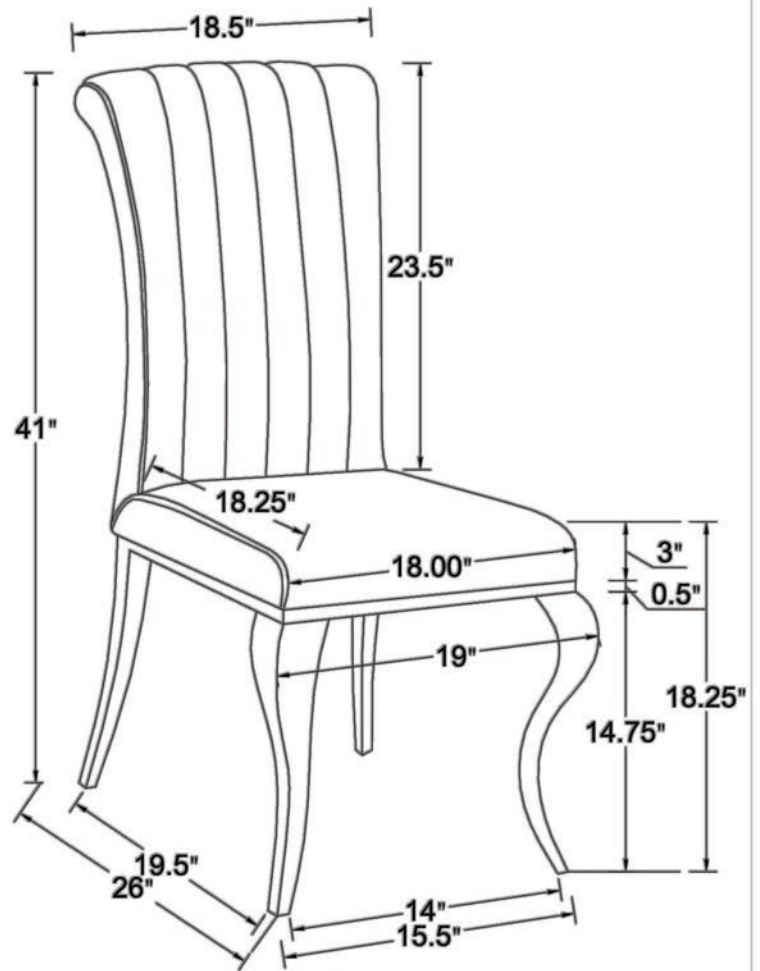
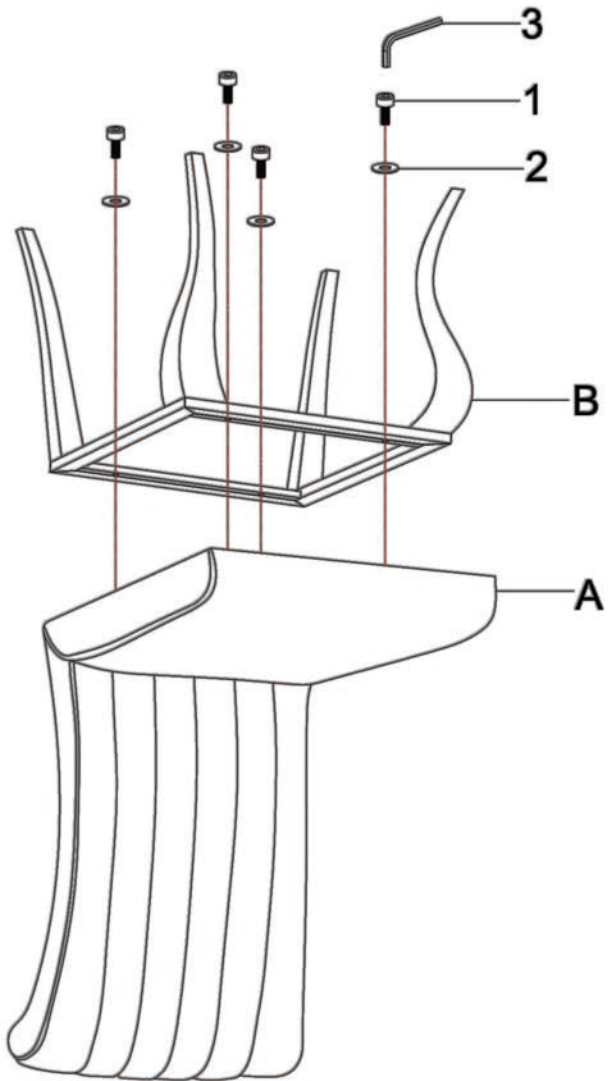
Hardware pack is located in 105076B2

# ITEM: 105076(B1-B2)

## ASSEMBLY INSTRUCTIONS



### STEP 1



**ASSEMBLY INSTRUCTIONS**  
**COASTER FINE FURNITURE**



*Fine Furniture for every stage of life*

**115561**

**DINING TABLE**

ITEM : 115561

**ASSEMBLY INSTRUCTIONS**

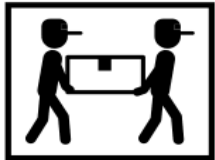
**ASSEMBLY TIPS:**

- 1.Remove hardware from box and sort by size.
- 2.Please check to see that all hardware and parts are present prior to start of assembly.
- 3.Please follow attached instruction in the same sequence as numbered to assure fast & easy assembly.



**WARNING!**

- 1.Don't attempt to repair or modify parts that are broken or defective. Please contact the store
- 2.This product is for home use only and not intended for commercial establishment.



**ASSEMBLY TIME**

**10 MINUTES**

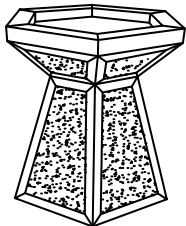
**PARTS IDENTIFICATION**

**HARDWARE**

**A GLASS TOP 1PC**



**B BASE 1PC**



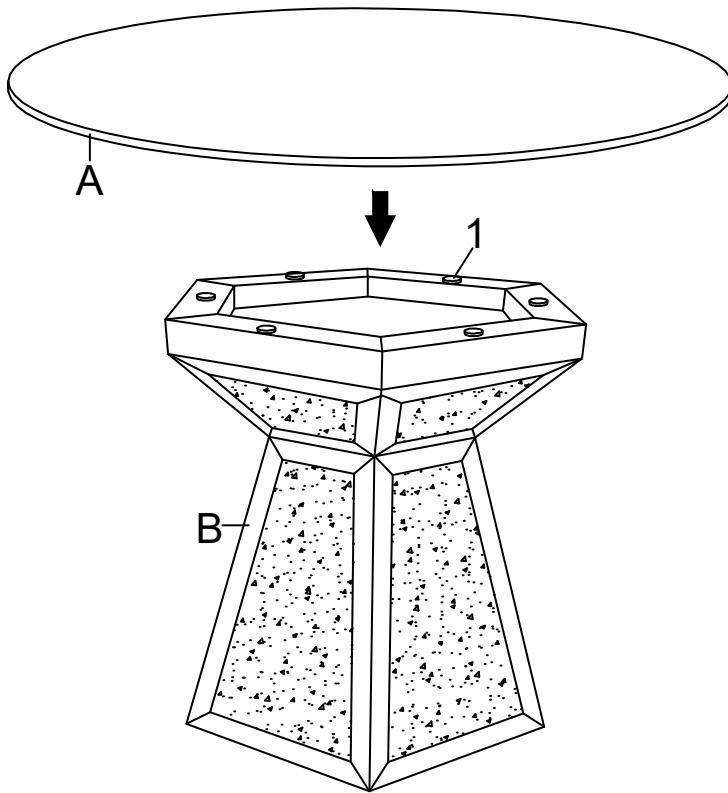
**1 SUCTION CUP 6PC**



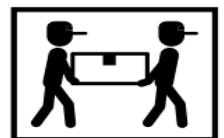
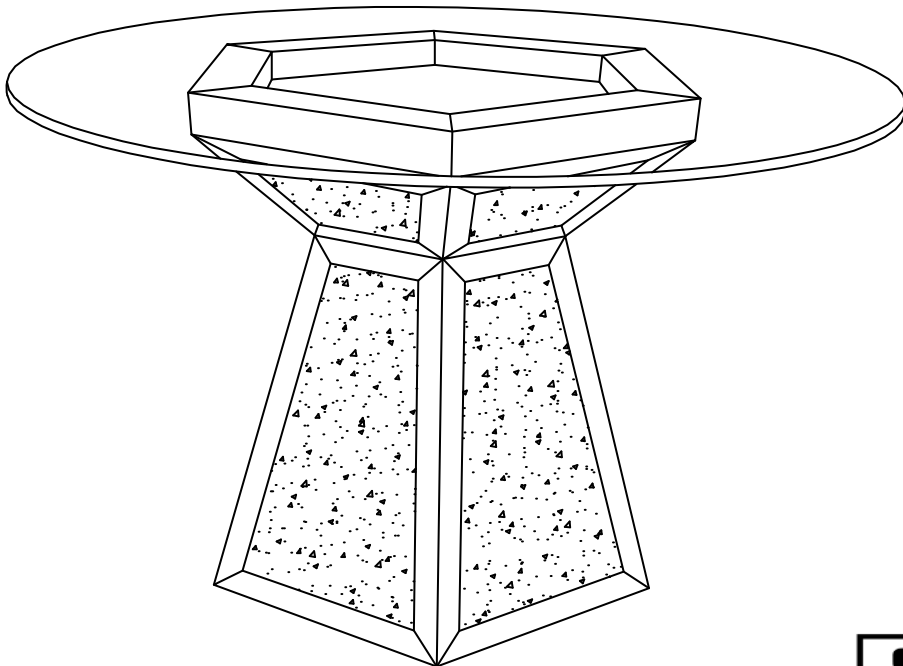
ITEM : 115561

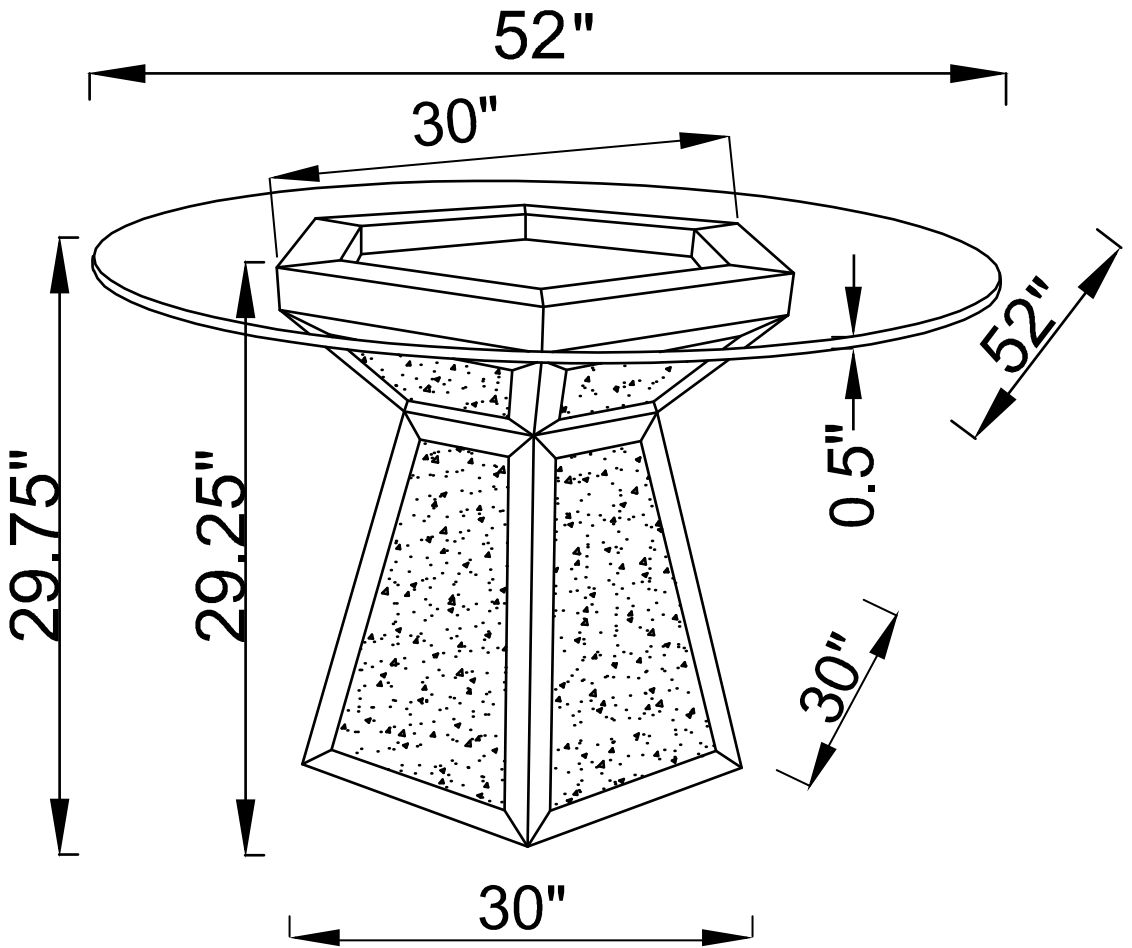
ASSEMBLY INSTRUCTIONS

STEP 1



STEP 2





Note: Dimension tolerance  $\pm 5\%$

