

ASSEMBLY INSTRUCTIONS
COASTER FINE FURNITURE



Fine Furniture for every stage of life

121231(B1&B2)
Dining Table

REVISION 0 : 05/30/2018
REVISION 1 : 09/04/2018
REVISION 2 : 07/01/2020
REVISION 3 : 10/16/2025

ITEM:121231(B1&B2)



ASSEMBLY INSTRUCTIONS

ASSEMBLY TIPS:

1. Remove hardware from box and sort by size.
2. Please check to see that all hardware and parts are present prior to start of assembly.
3. Please follow attached instructions in the same sequence as numbered to assure fast & easy assembly.

WARNING!



1. Don't attempt to repair or modify parts that are broken or defective. Please contact the store immediately.
2. This product is for home use only and not intended for commercial establishments.



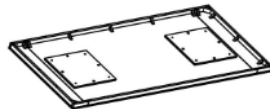
ASSEMBLY TIME

10 MINUTES

PARTS IDENTIFICATION

B1 (BOX 1)

AN TOP



1PC

DN BASE



2PCS

BN LEAF



2PCS

EN CROSSBAR



1PC

CN MOUNTING PLATE



2PCS

B2 (BOX 2)

FN PEDESTAL COLUMN



2PCS

HARDWARE IDENTIFICATION

Z-B1(BOX 1) - HARDWARE PACK IS LOCATED IN 121231(B1)

1 LONG BOLT
(5/16" x 45mm - BLK)



12PCS

5 FLAT WASHER
(5/16" x 22D x 2mm - BLK)



28PCS

2 SHORT BOLT
(5/16" x 38mm - BLK)



8PCS

6 ALLEN WRENCH
(4mm - BLK)



1PC

3 HEX NUT
(5/16" x 12mm - BLK)



8PCS

7 WRENCH
(12mm - BLK)



1PC

4 LOCK WASHER
(5/16" x 12D x 1.1mm - BLK)



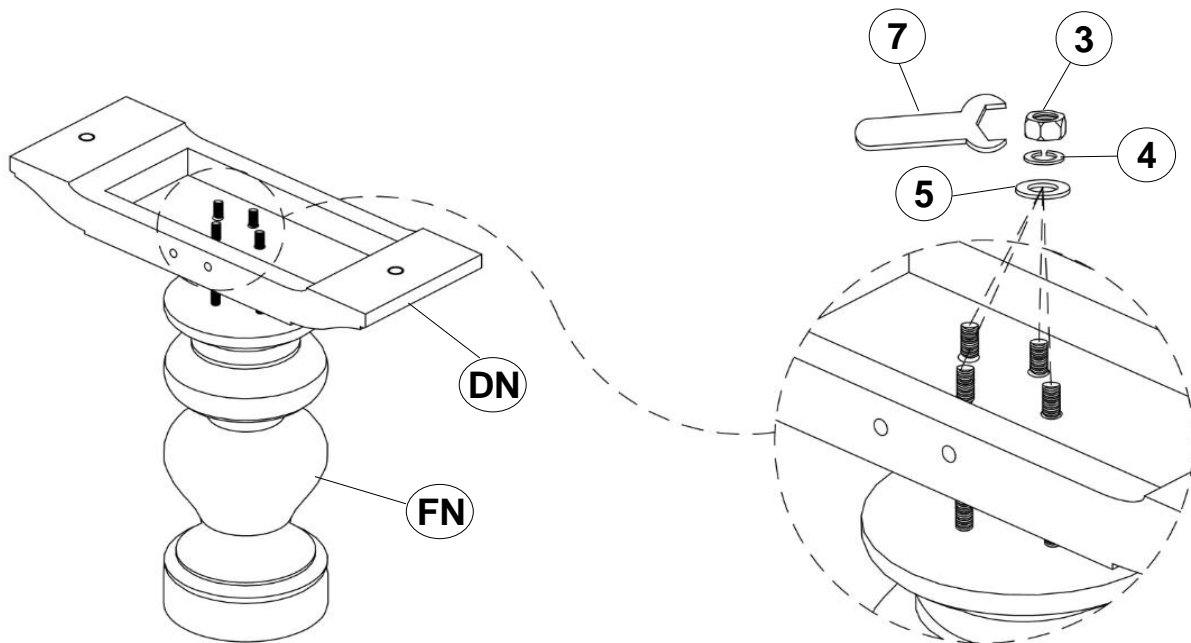
28PCS

ITEM: 121231(B1&B2)

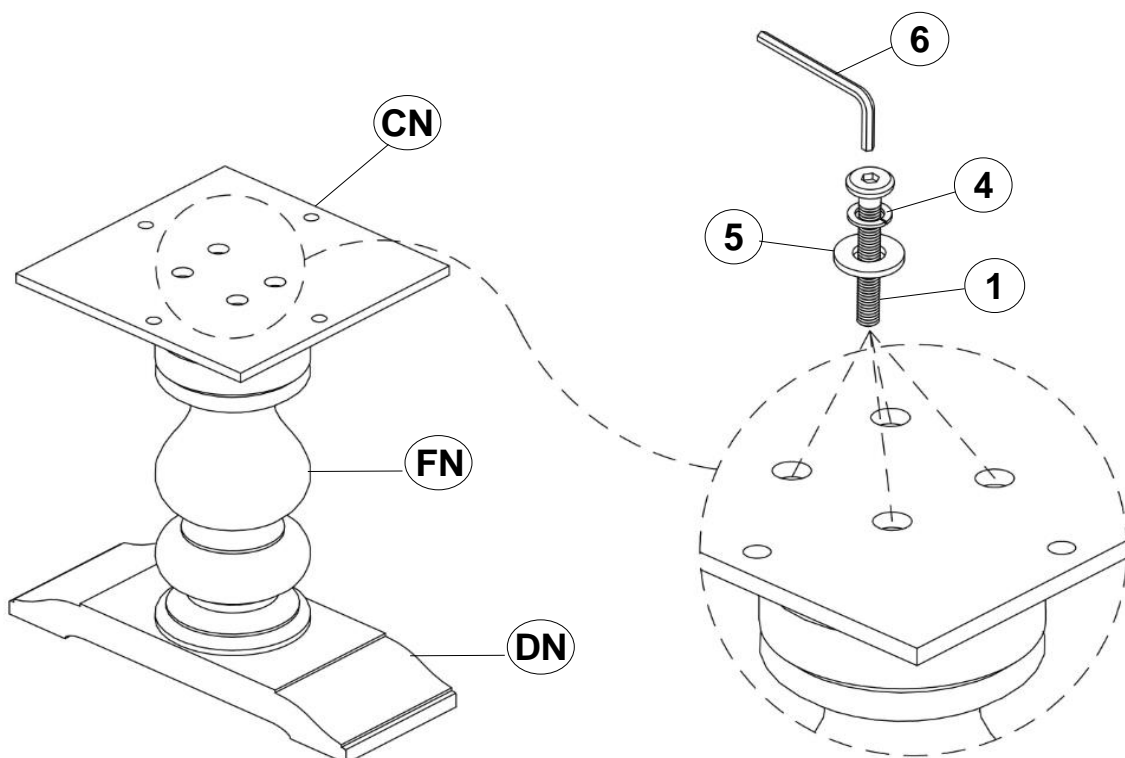


ASSEMBLY INSTRUCTIONS

STEP 1



STEP 2

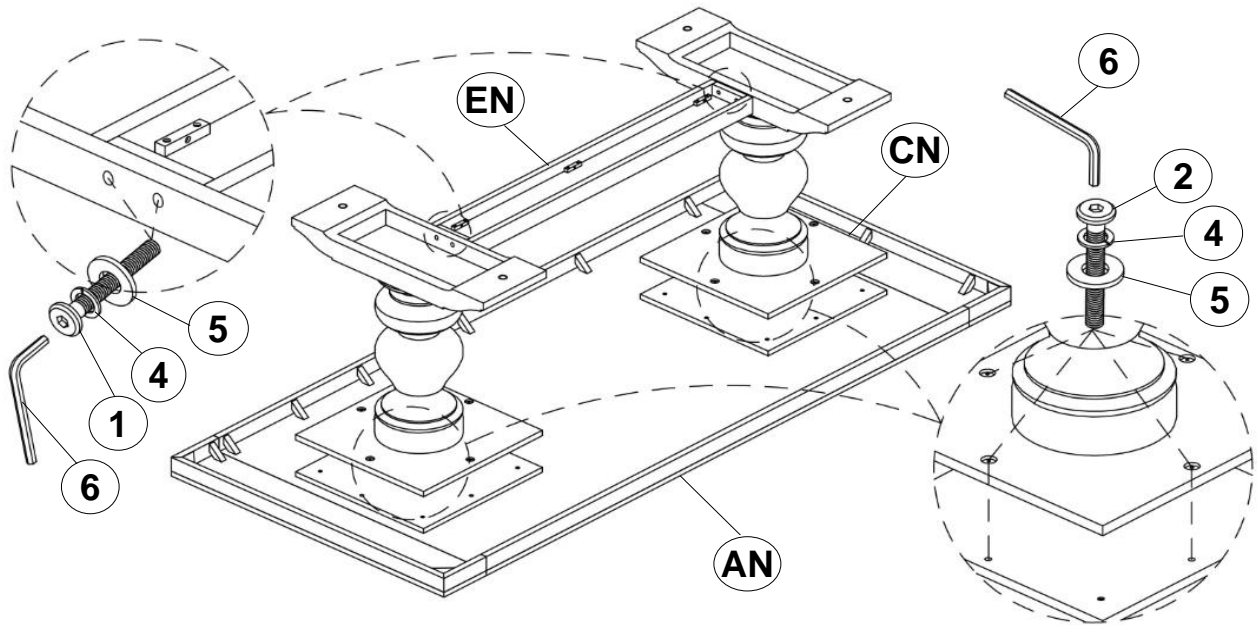


ITEM: 121231(B1&B2)

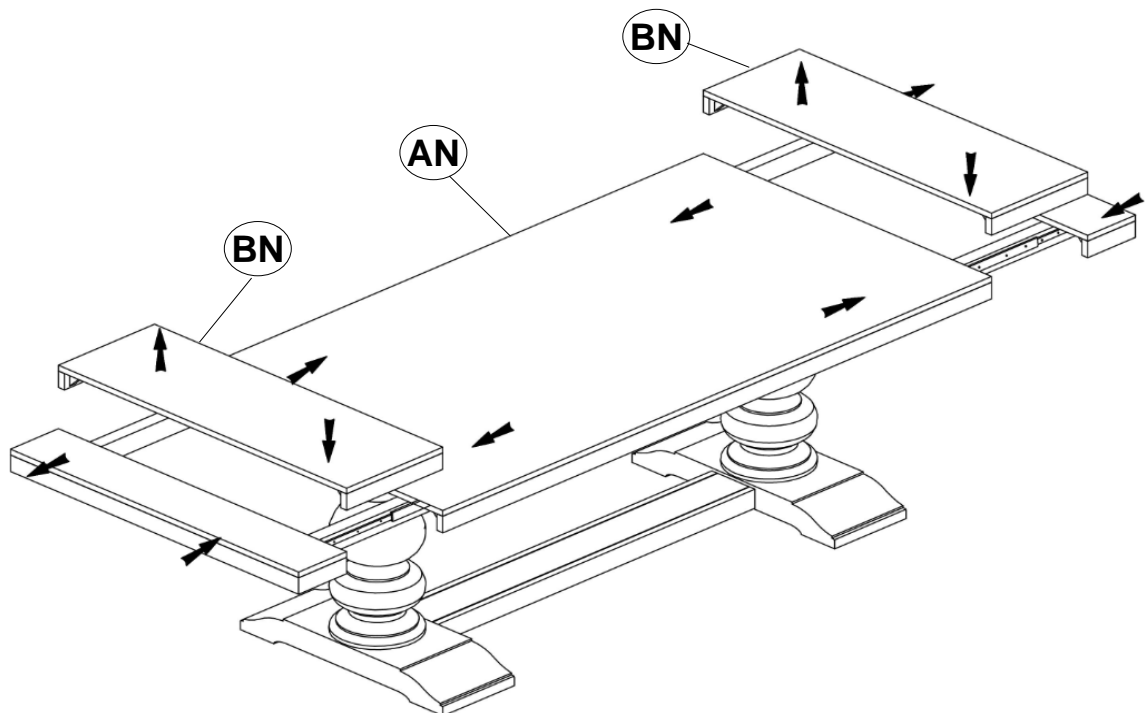


ASSEMBLY INSTRUCTIONS

STEP 3



STEP 4

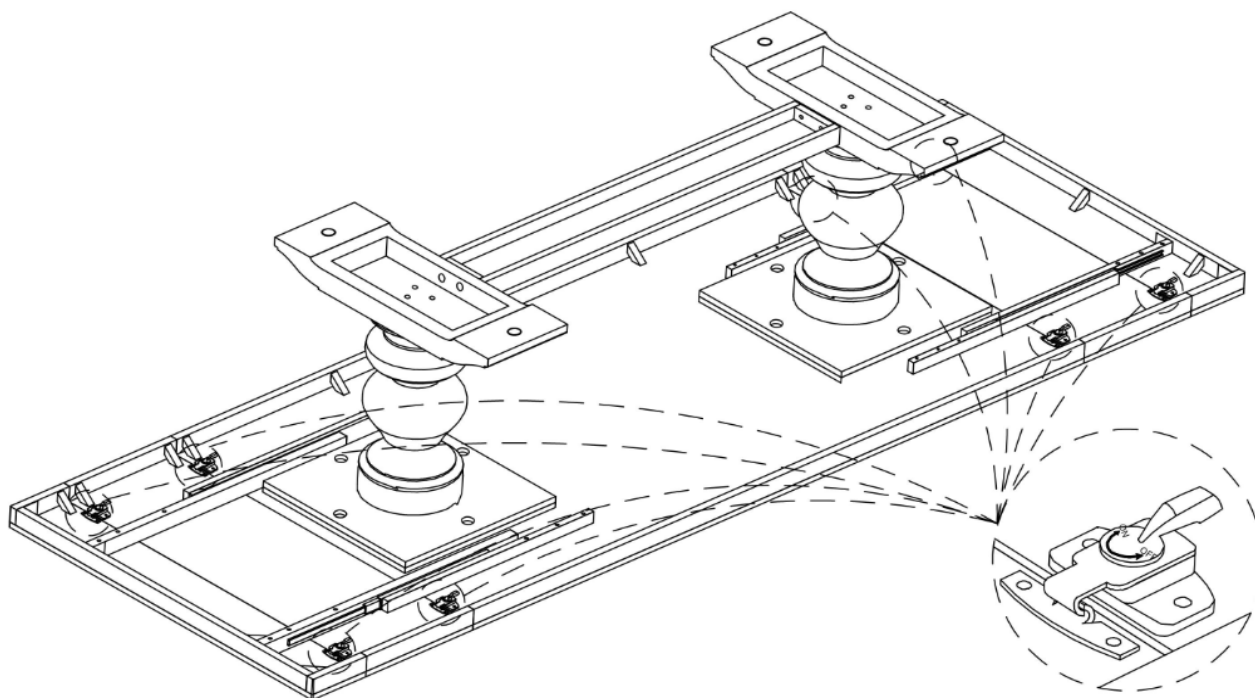


ITEM: **121231(B1&B2)**

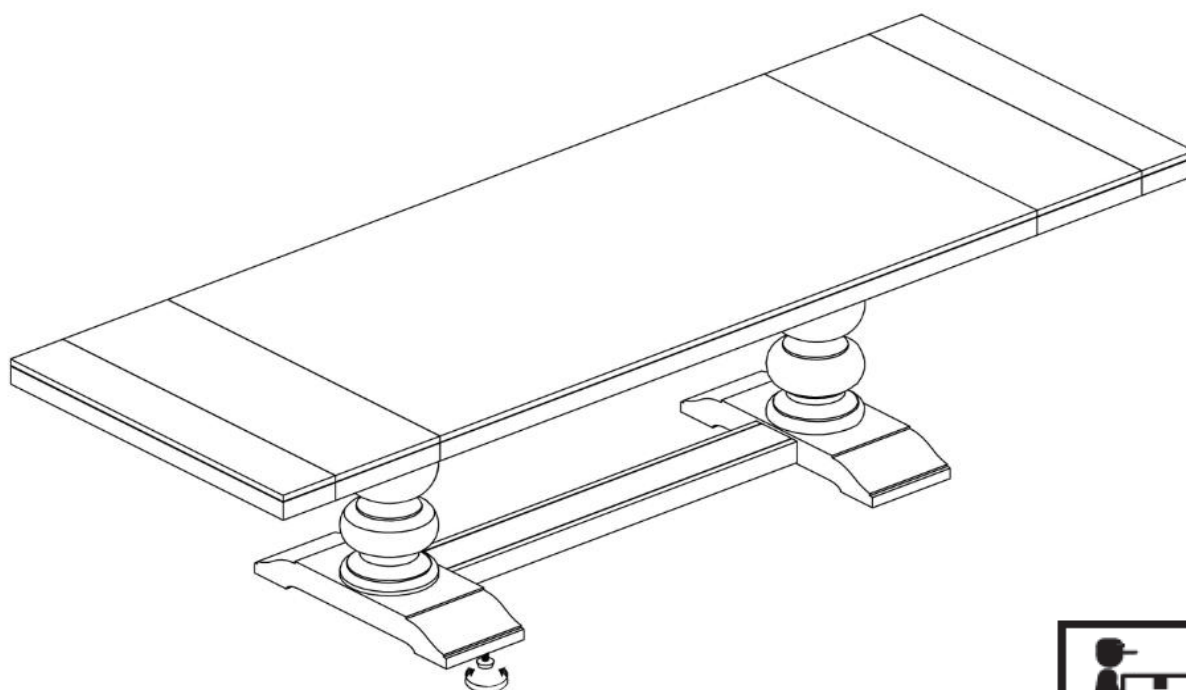


ASSEMBLY INSTRUCTIONS

STEP 5



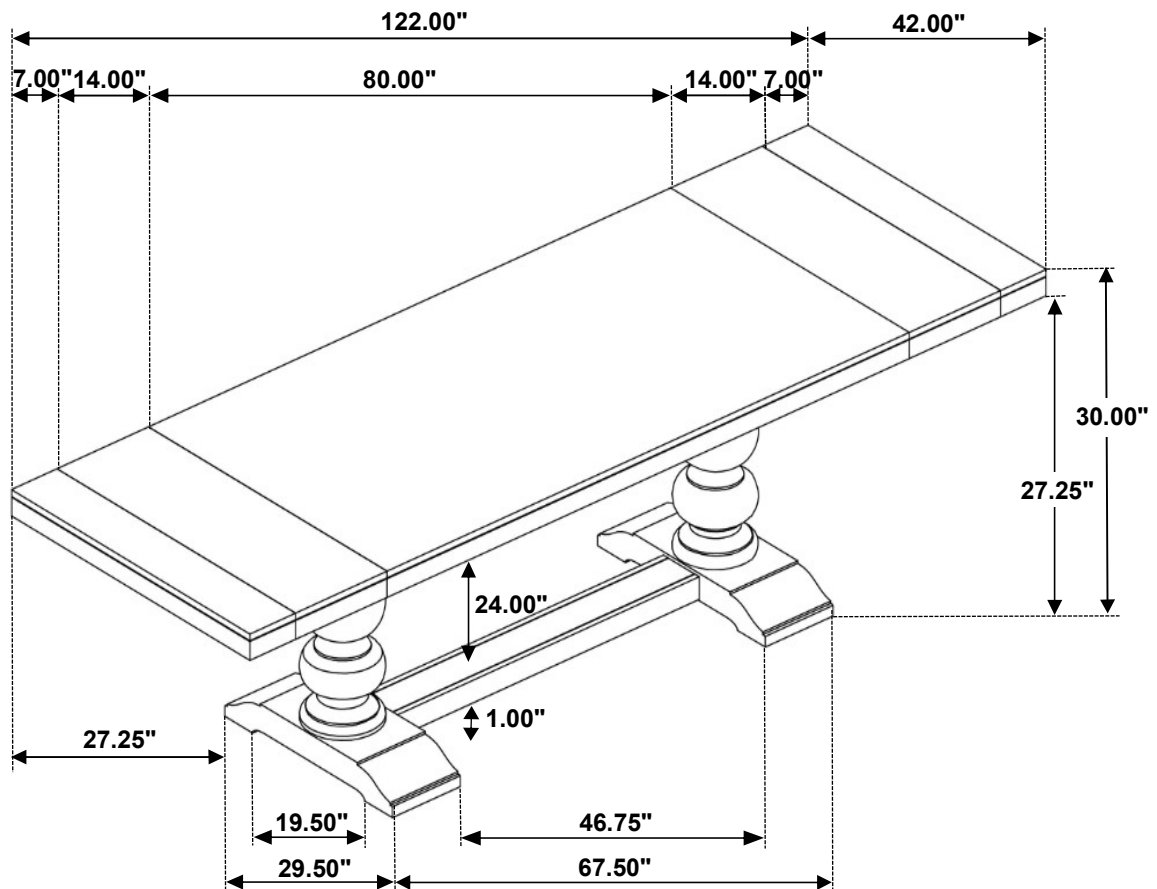
STEP 6
COMPLETE



ADJUSTABLE LEVELER



ITEM: 121231(B1&B2)



Note: Dimension tolerance $\pm 5\%$

ASSEMBLY INSTRUCTIONS
COASTER FINE FURNITURE



Fine Furniture for every stage of life

121232
Side Chair

ITEM:121232



ASSEMBLY INSTRUCTIONS

ASSEMBLY TIPS:

1. Remove hardware from box and sort by size.
2. Please check to see that all hardware and parts are present prior to start of assembly.
3. Please follow attached instructions in the same sequence as numbered to assure fast & easy assembly.



WARNING!




1. Don't attempt to repair or modify parts that are broken or defective. Please contact the store immediately.
2. This product is for home use only and not intended for commercial establishments.









ASSEMBLY TIME

15 MINUTES

PARTS IDENTIFICATION

A	BACK FRAME		1PC
B	SEAT CUSHION WITH FRAME		1PC
C	FRONT LEG		2PCS

HARDWARE IDENTIFICATION

1	LONG BOLT (Ø1/4 x 13 x 75mm - BLK)		4PCS
2	MEDIUM BOLT (Ø1/4 x 13 x 63mm - BLK)		4PCS
3	SHORT BOLT (Ø1/4 x 13 x 38mm - BLK)		2PCS
4	LOCK WASHER (Ø1/4 x 10 x 1.1mm - BLK)		10PCS
5	FLAT WASHER (Ø1/4 x 22 x 2mm - BLK)		10PCS
6	ALLEN WRENCH (4 x 60mm - BLK)		1PC

NOTE:

Quantities shown are for one chair.

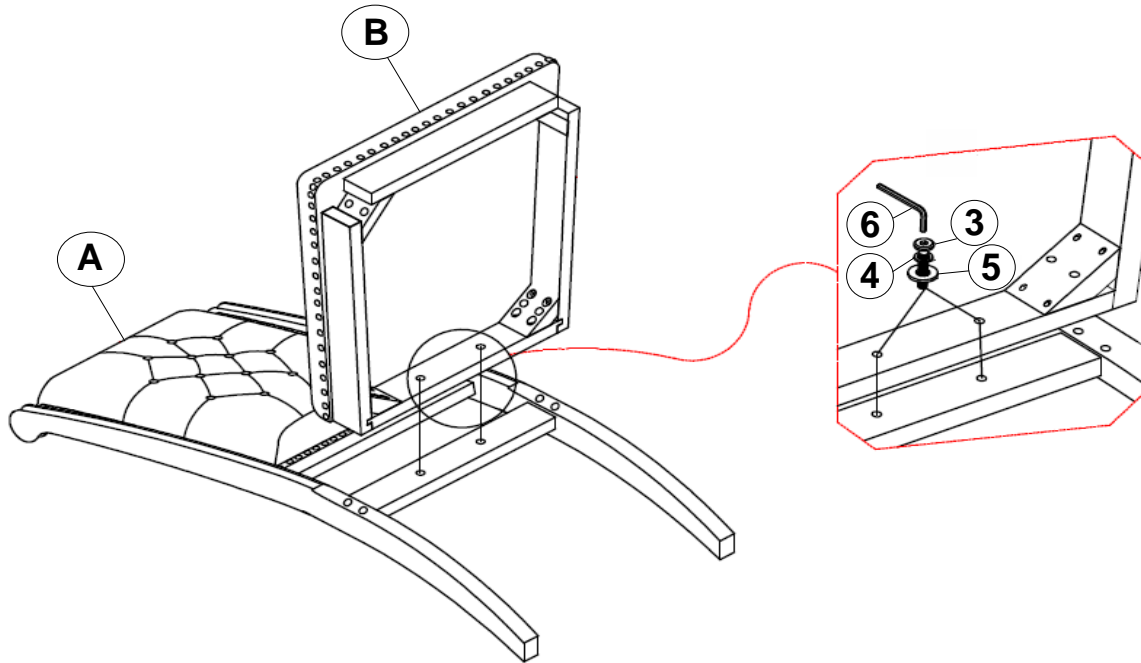
Phillips head screw driver is required in the assembly process; however, manufacturer does not provide this item.

ITEM: **121232**

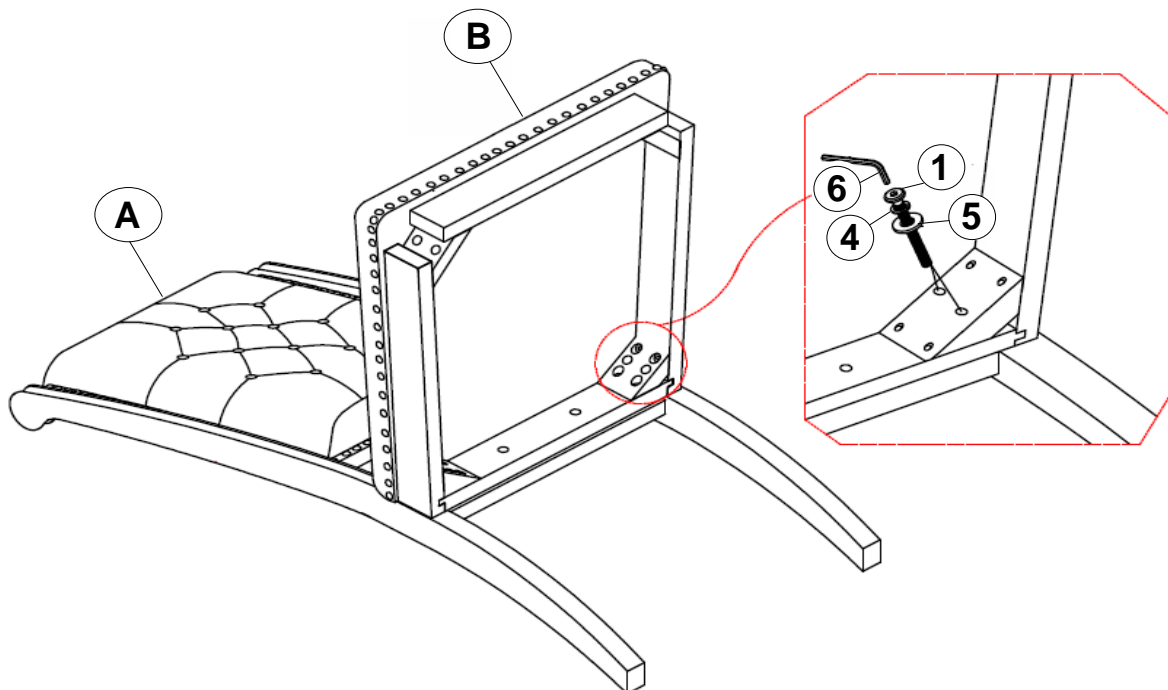
ASSEMBLY INSTRUCTIONS



STEP 1



STEP 2

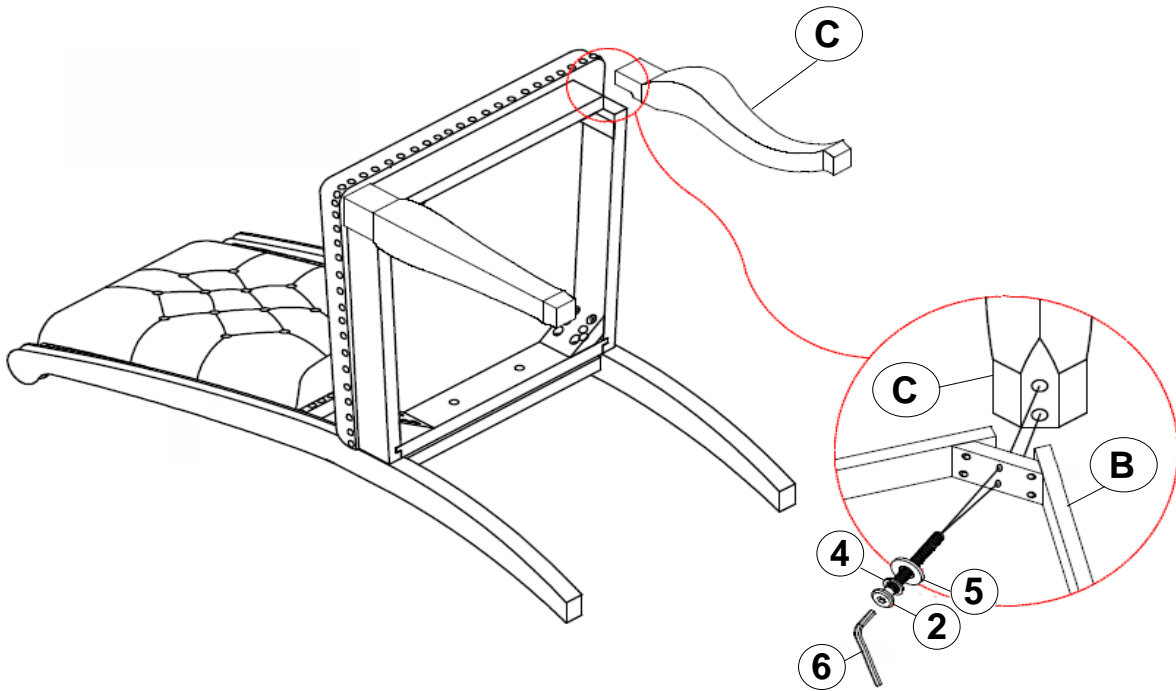


ITEM: **121232**

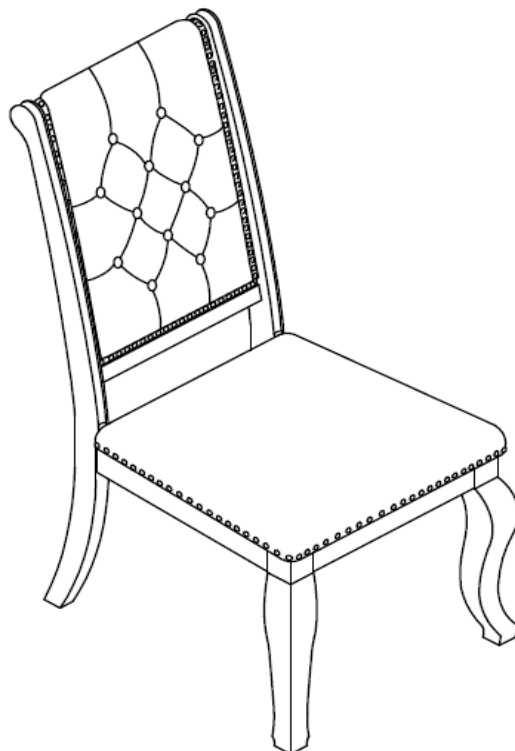
ASSEMBLY INSTRUCTIONS



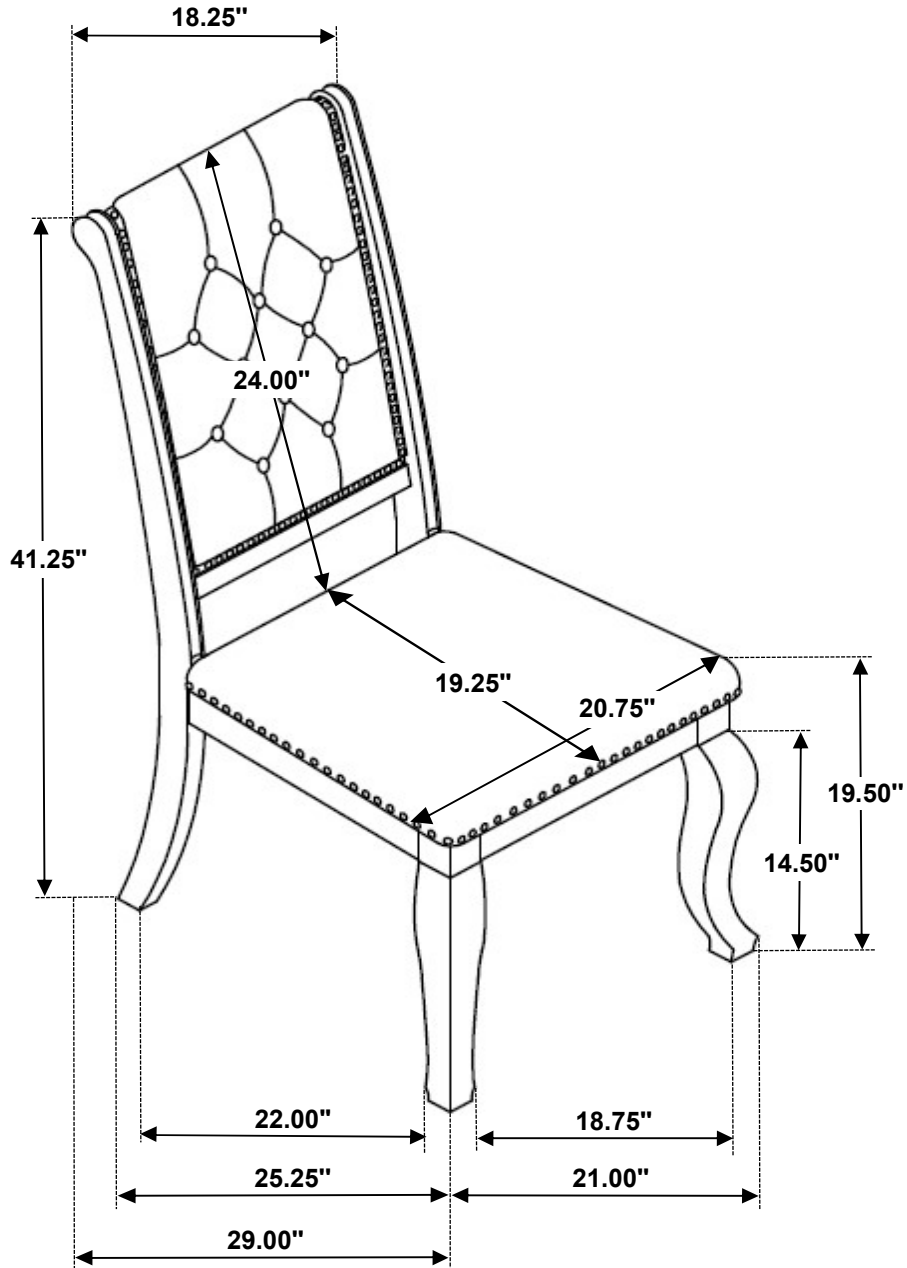
STEP 3



STEP 4
COMPLETE



ITEM:121232



Note: Dimension tolerance $\pm 5\%$

ASSEMBLY INSTRUCTIONS
COASTER FINE FURNITURE



Fine Furniture for every stage of life

121233
Arm Chair

ITEM:121233



ASSEMBLY INSTRUCTIONS

ASSEMBLY TIPS:

1. Remove hardware from box and sort by size.
2. Please check to see that all hardware and parts are present prior to start of assembly.
3. Please follow attached instructions in the same sequence as numbered to assure fast & easy assembly.



WARNING!




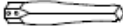
1. Don't attempt to repair or modify parts that are broken or defective. Please contact the store immediately.
2. This product is for home use only and not intended for commercial establishments.







ASSEMBLY TIME

15 MINUTES

PARTS IDENTIFICATION

A	SEAT AND BACK		1PC
B	LEFT BACK LEG		1PC
C	RIGHT BACK LEG		1PC
D	FRONT LEG		2PCS

HARDWARE IDENTIFICATION

1	BOLT (1/4 x 13 x 63mm - BLK)		8PCS
2	LOCK WASHER (1/4 x 10 x 1.1mm - BLK)		8PCS
3	FLAT WASHER (1/4 x 2 x 22mm - BLK)		8PCS
4	ALLEN WRENCH (4 x 60mm - BLK)		1PC

NOTE:

Quantities shown are for one chair.

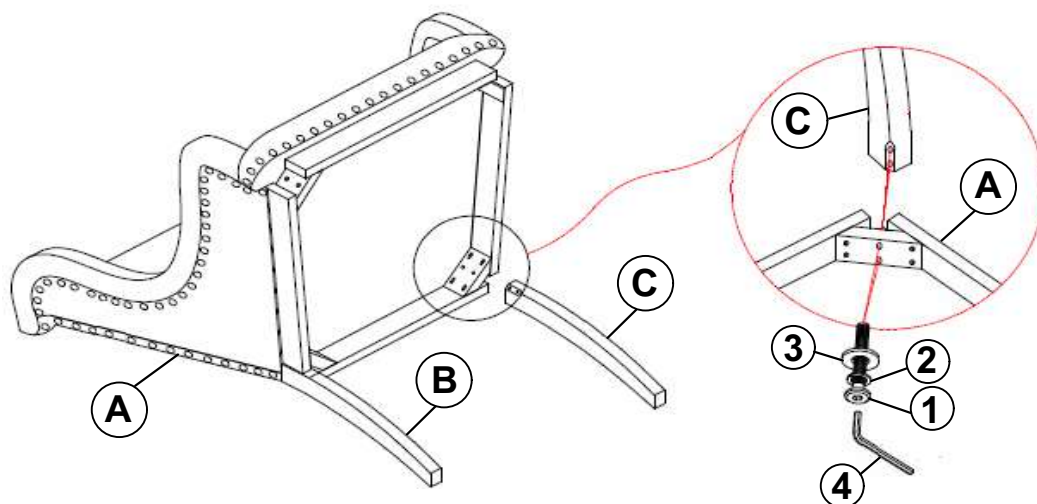
Phillips head screw driver is required in the assembly process; however, manufacturer does not provide this item.

ITEM: **121233**

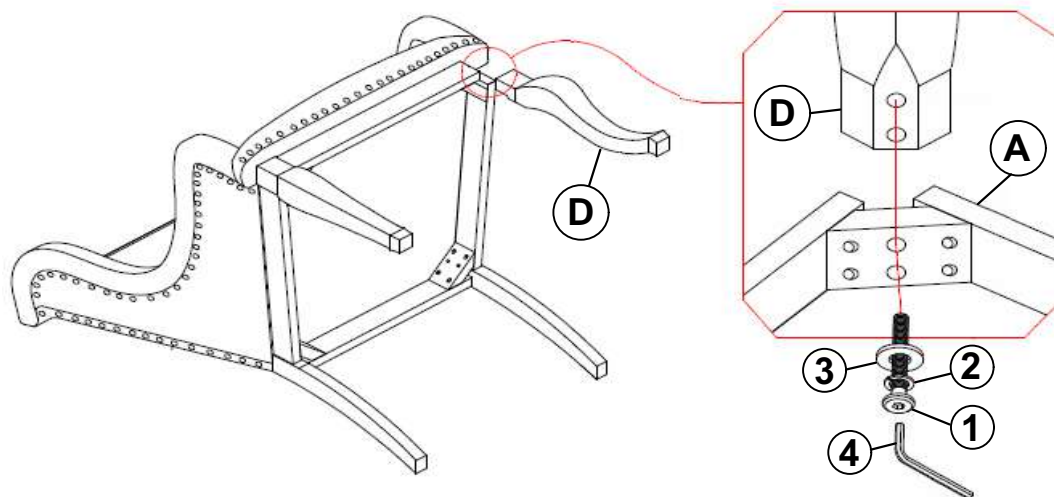
ASSEMBLY INSTRUCTIONS



STEP 1



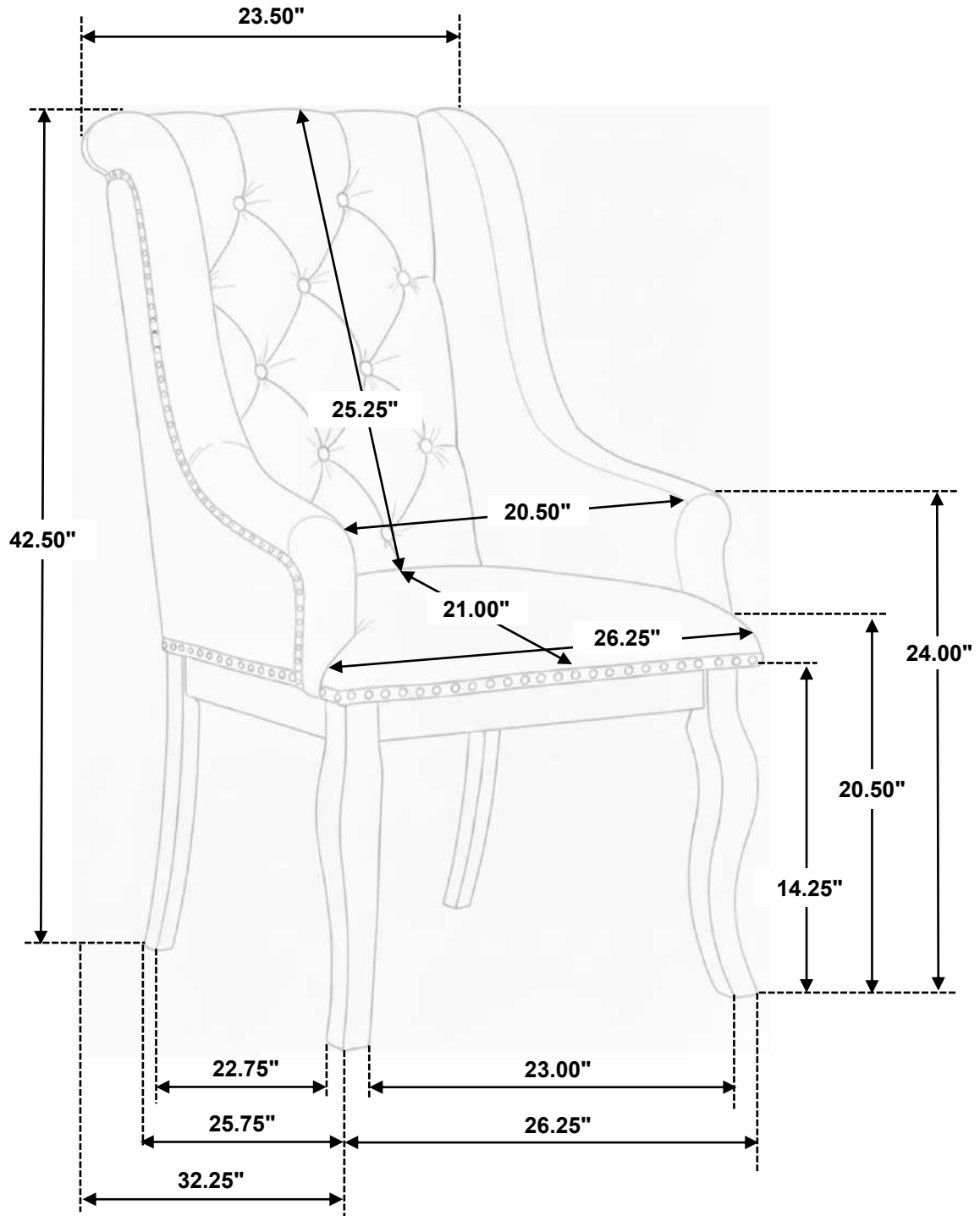
STEP 2



STEP 3
COMPLETE



ITEM: **121233**



Note: Dimension tolerance $\pm 5\%$