

**ASSEMBLY INSTRUCTIONS**  
**COASTER FINE FURNITURE**



*Fine Furniture for every stage of life*

**121231(B1&B2)**  
***Dining Table***

REVISION 0 : 05/30/2018  
REVISION 1 : 09/04/2018  
REVISION 2 : 07/01/2020  
REVISION 3 : 10/16/2025

# ITEM:121231(B1&B2)



## ASSEMBLY INSTRUCTIONS

### ASSEMBLY TIPS:

1. Remove hardware from box and sort by size.
2. Please check to see that all hardware and parts are present prior to start of assembly.
3. Please follow attached instructions in the same sequence as numbered to assure fast & easy assembly.

### WARNING!



1. Don't attempt to repair or modify parts that are broken or defective. Please contact the store immediately.
2. This product is for home use only and not intended for commercial establishments.



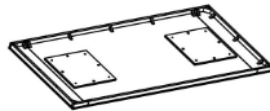
ASSEMBLY TIME

10 MINUTES

## PARTS IDENTIFICATION

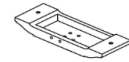
### B1 (BOX 1)

AN TOP



1PC

DN BASE



2PCS

BN LEAF



2PCS

EN CROSSBAR



1PC

CN MOUNTING PLATE



2PCS

### B2 (BOX 2)

FN PEDESTAL COLUMN



2PCS

## HARDWARE IDENTIFICATION

### Z-B1(BOX 1) - HARDWARE PACK IS LOCATED IN 121231(B1)

1 LONG BOLT  
(5/16" x 45mm - BLK)



12PCS

5 FLAT WASHER  
(5/16" x 22D x 2mm - BLK)



28PCS

2 SHORT BOLT  
(5/16" x 38mm - BLK)



8PCS

6 ALLEN WRENCH  
(4mm - BLK)



1PC

3 HEX NUT  
(5/16" x 12mm - BLK)



8PCS

7 WRENCH  
(12mm - BLK)



1PC

4 LOCK WASHER  
(5/16" x 12D x 1.1mm - BLK)



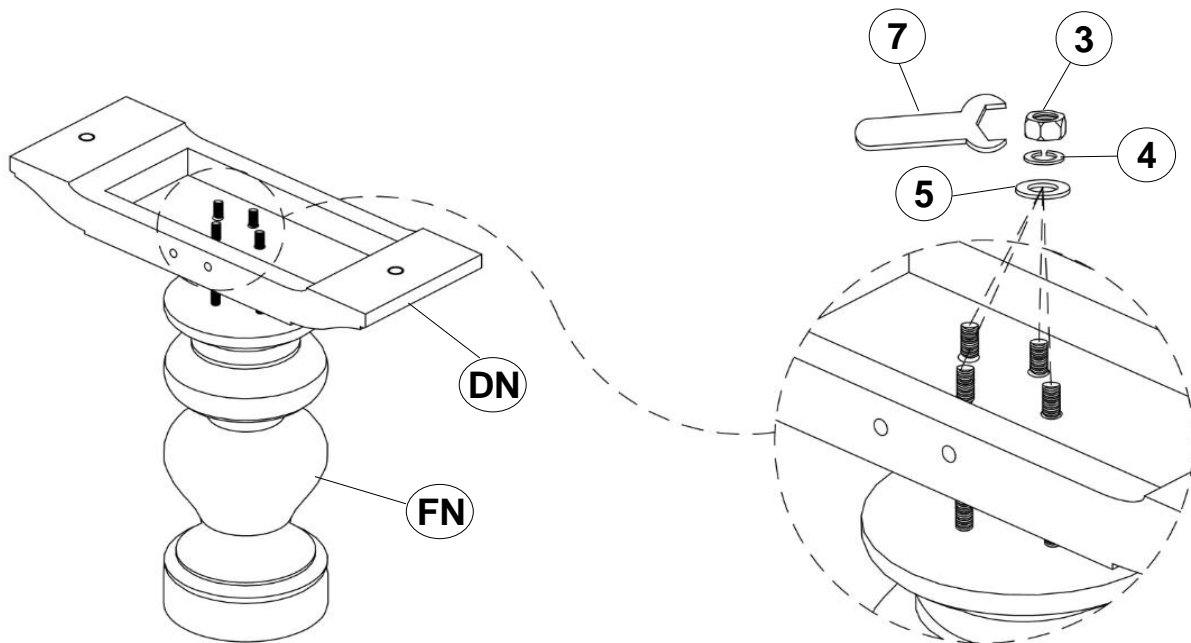
28PCS

# ITEM: 121231(B1&B2)

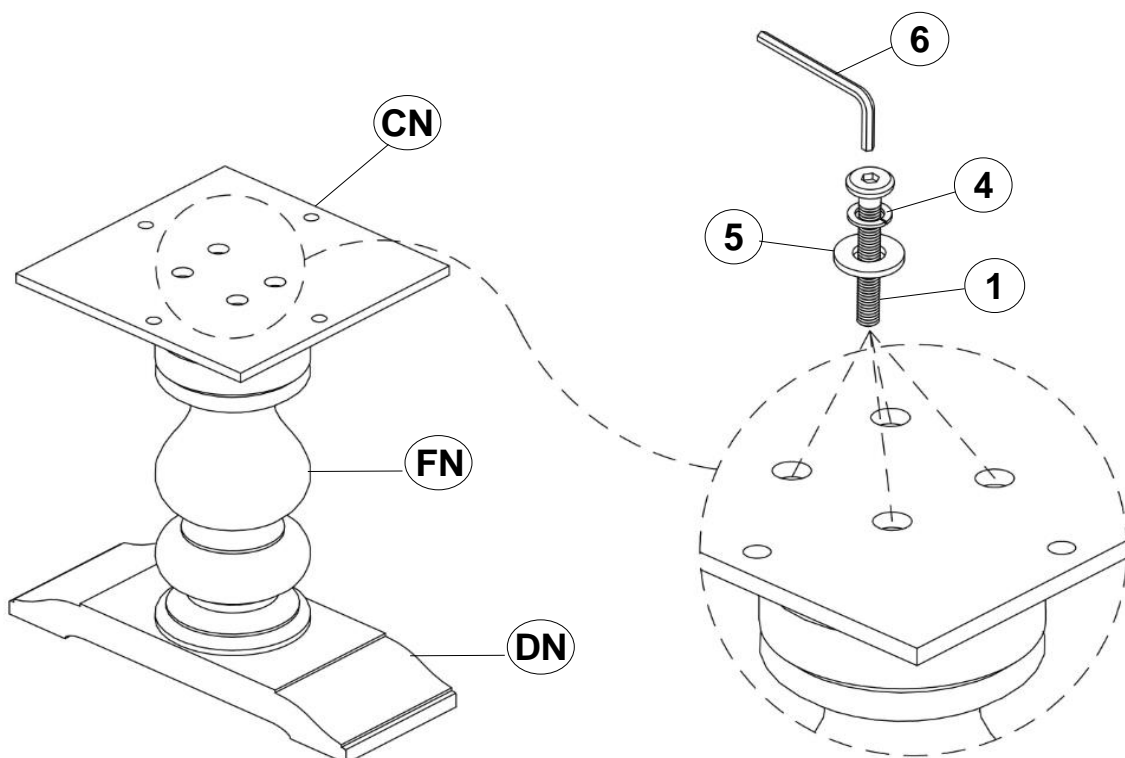


## ASSEMBLY INSTRUCTIONS

### STEP 1



### STEP 2

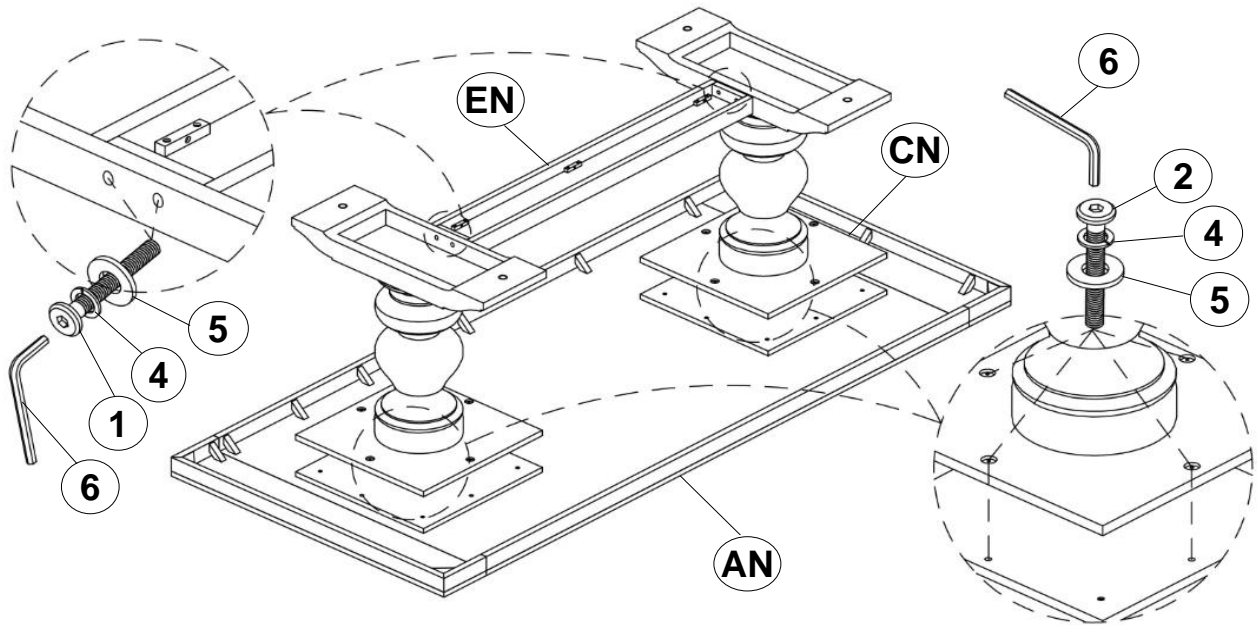


# ITEM: 121231(B1&B2)

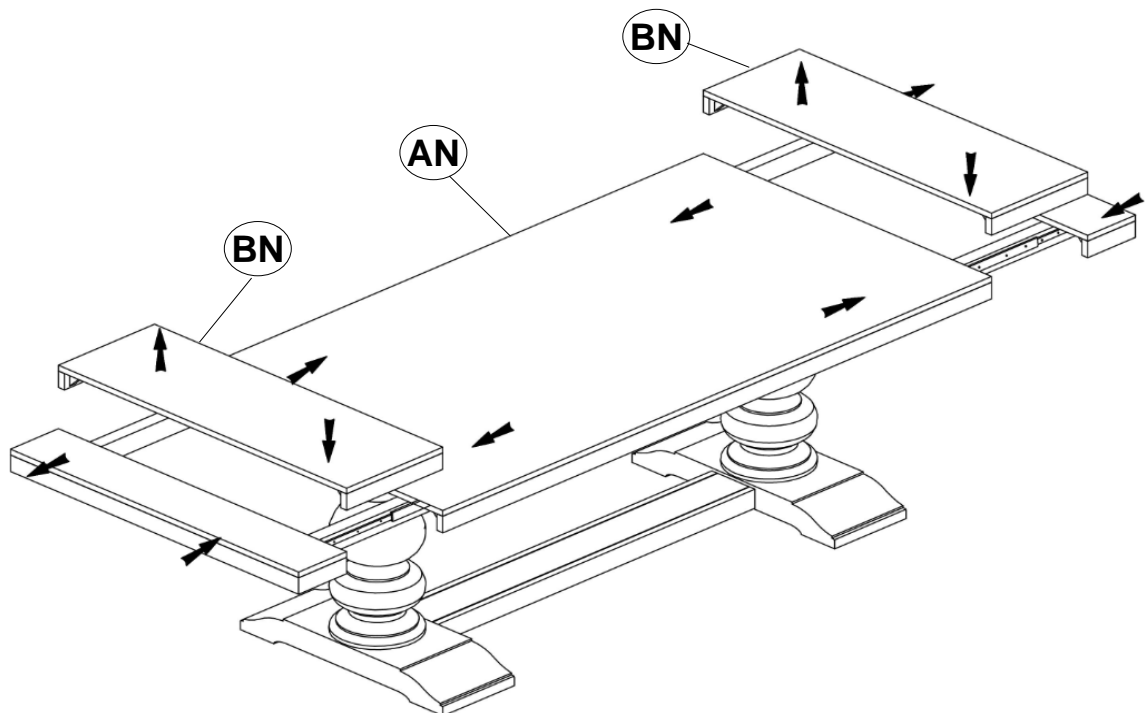


## ASSEMBLY INSTRUCTIONS

### STEP 3



### STEP 4

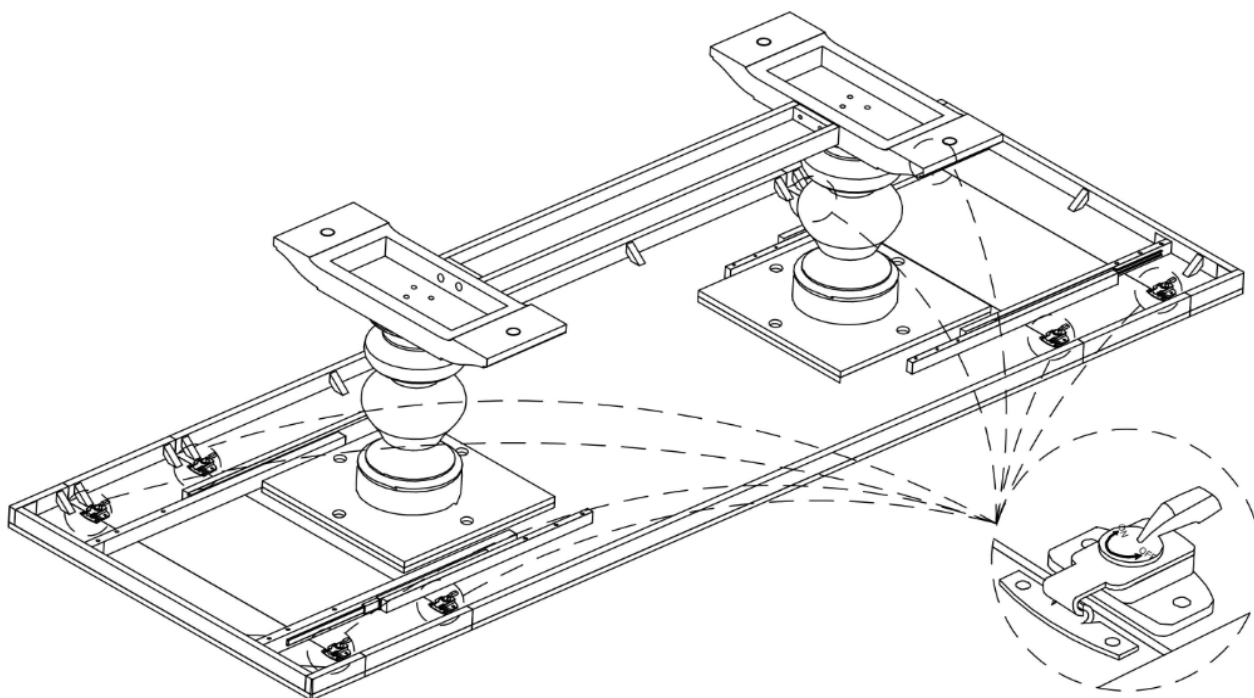


ITEM: **121231(B1&B2)**

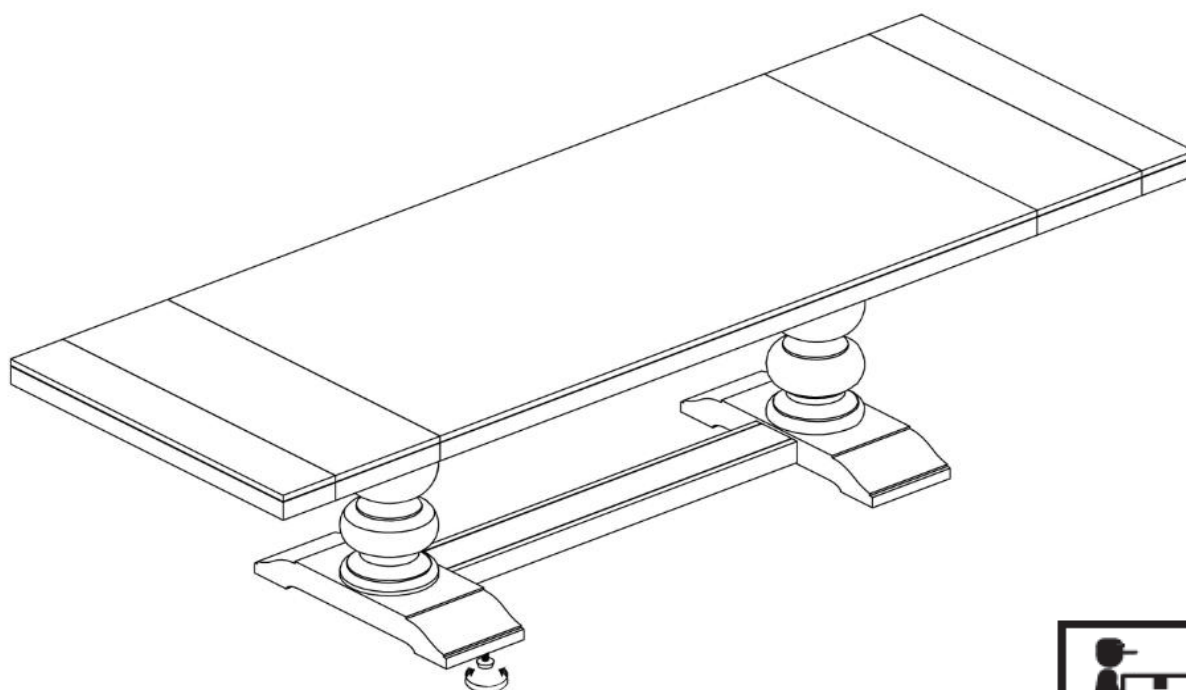


**ASSEMBLY INSTRUCTIONS**

**STEP 5**



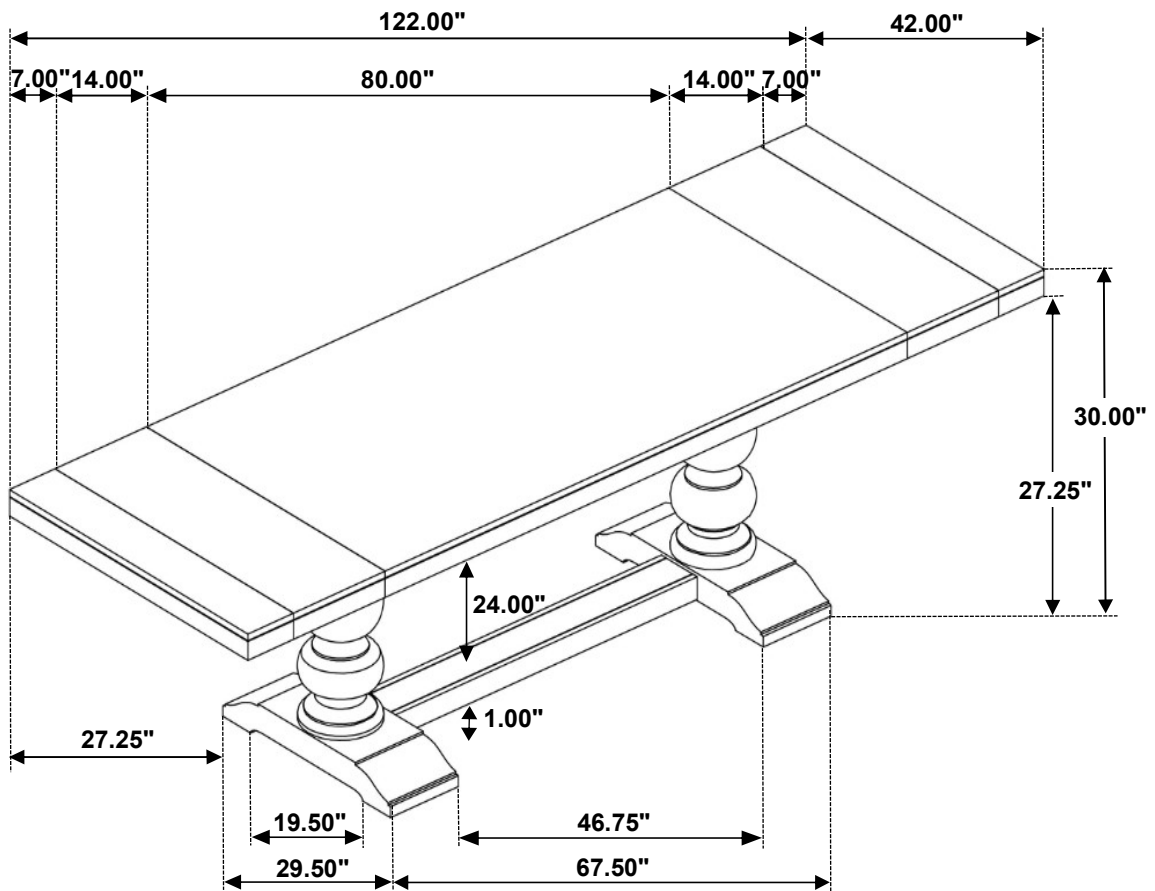
**STEP 6**  
**COMPLETE**



ADJUSTABLE LEVELER



ITEM: **121231(B1&B2)**



Note: Dimension tolerance  $\pm 5\%$

*ASSEMBLY INSTRUCTIONS*  
*COASTER FINE FURNITURE*



*Fine Furniture for every stage of life*

**121232**  
**Side Chair**

# ITEM:121232



## ASSEMBLY INSTRUCTIONS

### ASSEMBLY TIPS:

1. Remove hardware from box and sort by size.
2. Please check to see that all hardware and parts are present prior to start of assembly.
3. Please follow attached instructions in the same sequence as numbered to assure fast & easy assembly.



### WARNING!



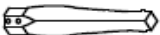
1. Don't attempt to repair or modify parts that are broken or defective. Please contact the store immediately.
2. This product is for home use only and not intended for commercial establishments.









ASSEMBLY TIME

15 MINUTES

## PARTS IDENTIFICATION

A	BACK FRAME		1PC
B	SEAT CUSHION WITH FRAME		1PC
C	FRONT LEG		2PCS

## HARDWARE IDENTIFICATION

1	LONG BOLT (Ø1/4 x 13 x 75mm - BLK)		4PCS
2	MEDIUM BOLT (Ø1/4 x 13 x 63mm - BLK)		4PCS
3	SHORT BOLT (Ø1/4 x 13 x 38mm - BLK)		2PCS
4	LOCK WASHER (Ø1/4 x 10 x 1.1mm - BLK)		10PCS
5	FLAT WASHER (Ø1/4 x 22 x 2mm - BLK)		10PCS
6	ALLEN WRENCH (4 x 60mm - BLK)		1PC

### NOTE:

Quantities shown are for one chair.

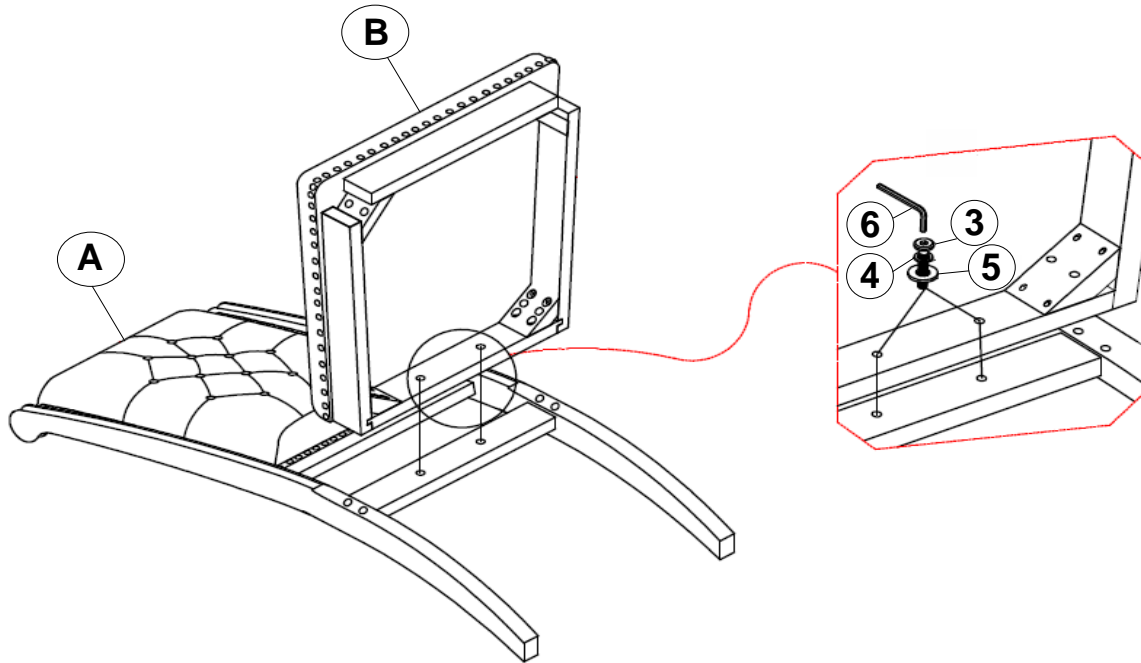
Phillips head screw driver is required in the assembly process; however, manufacturer does not provide this item.

ITEM: **121232**

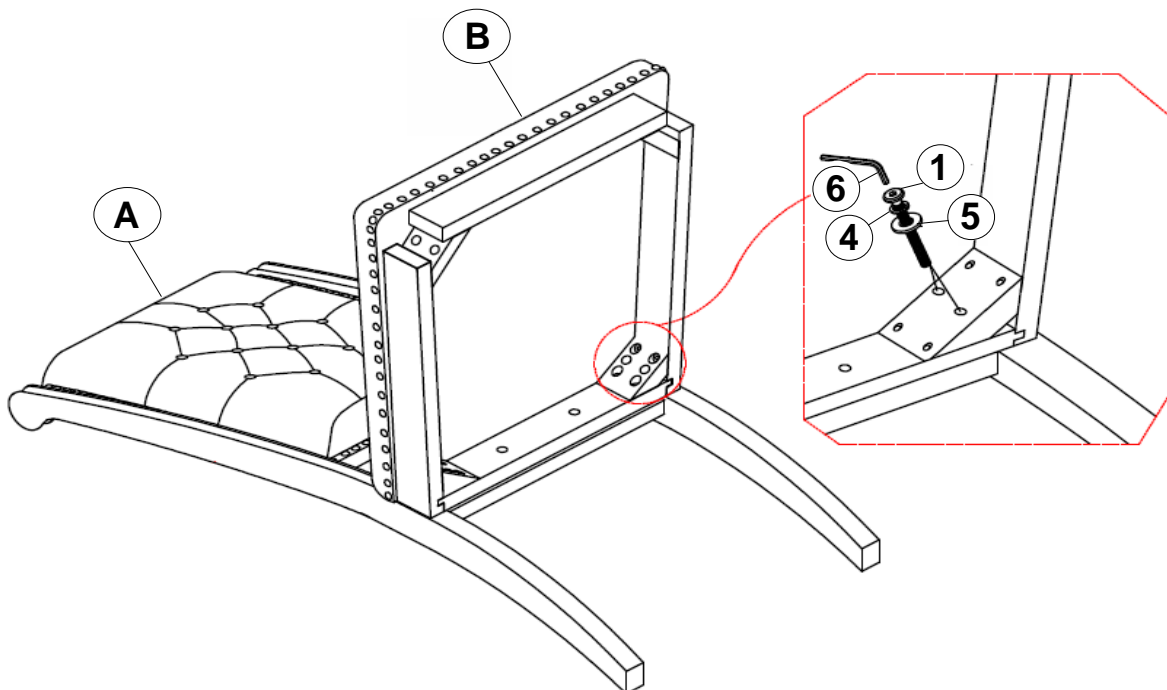
**ASSEMBLY INSTRUCTIONS**



**STEP 1**



**STEP 2**

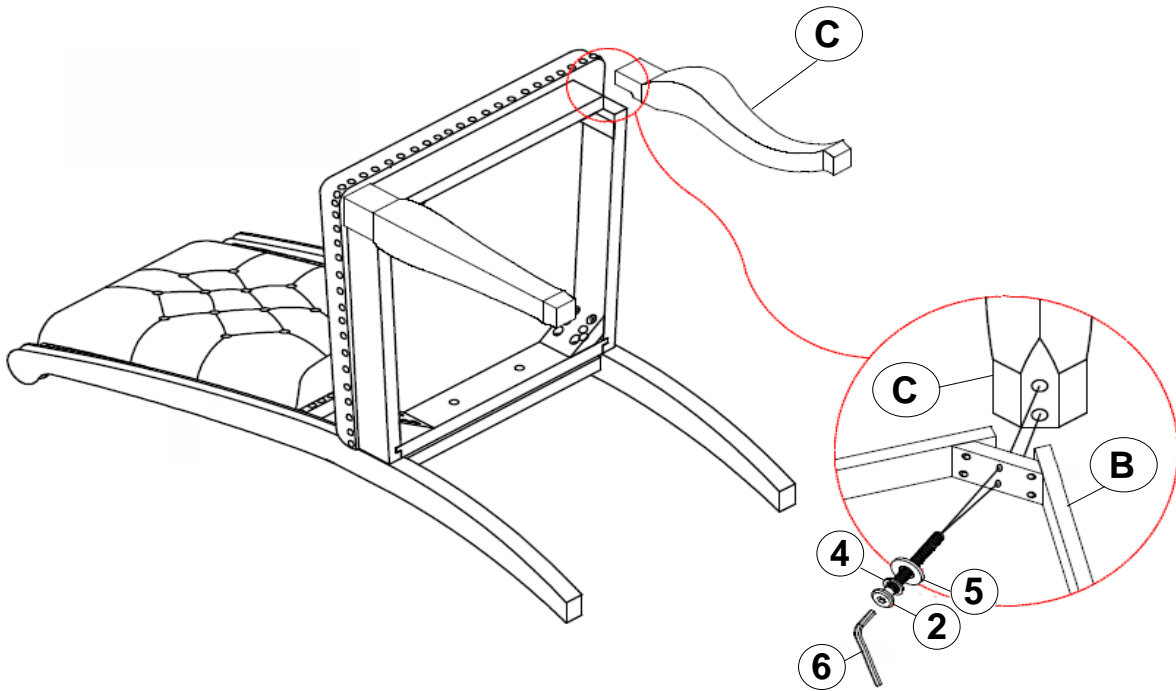


ITEM: **121232**

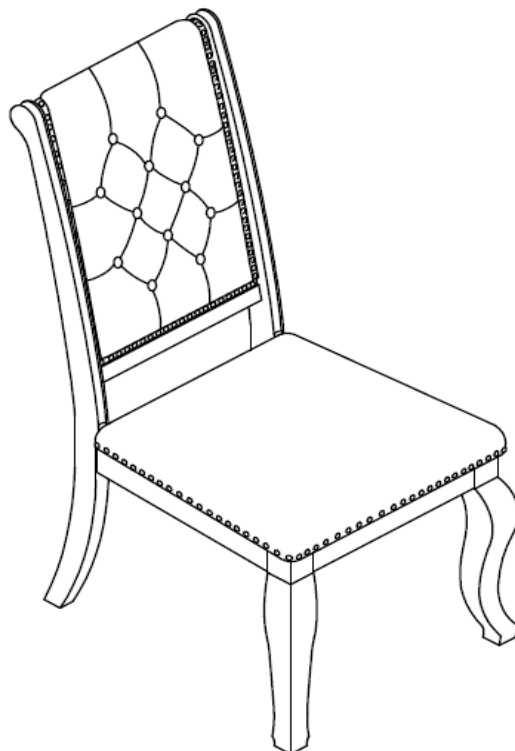
**ASSEMBLY INSTRUCTIONS**



**STEP 3**

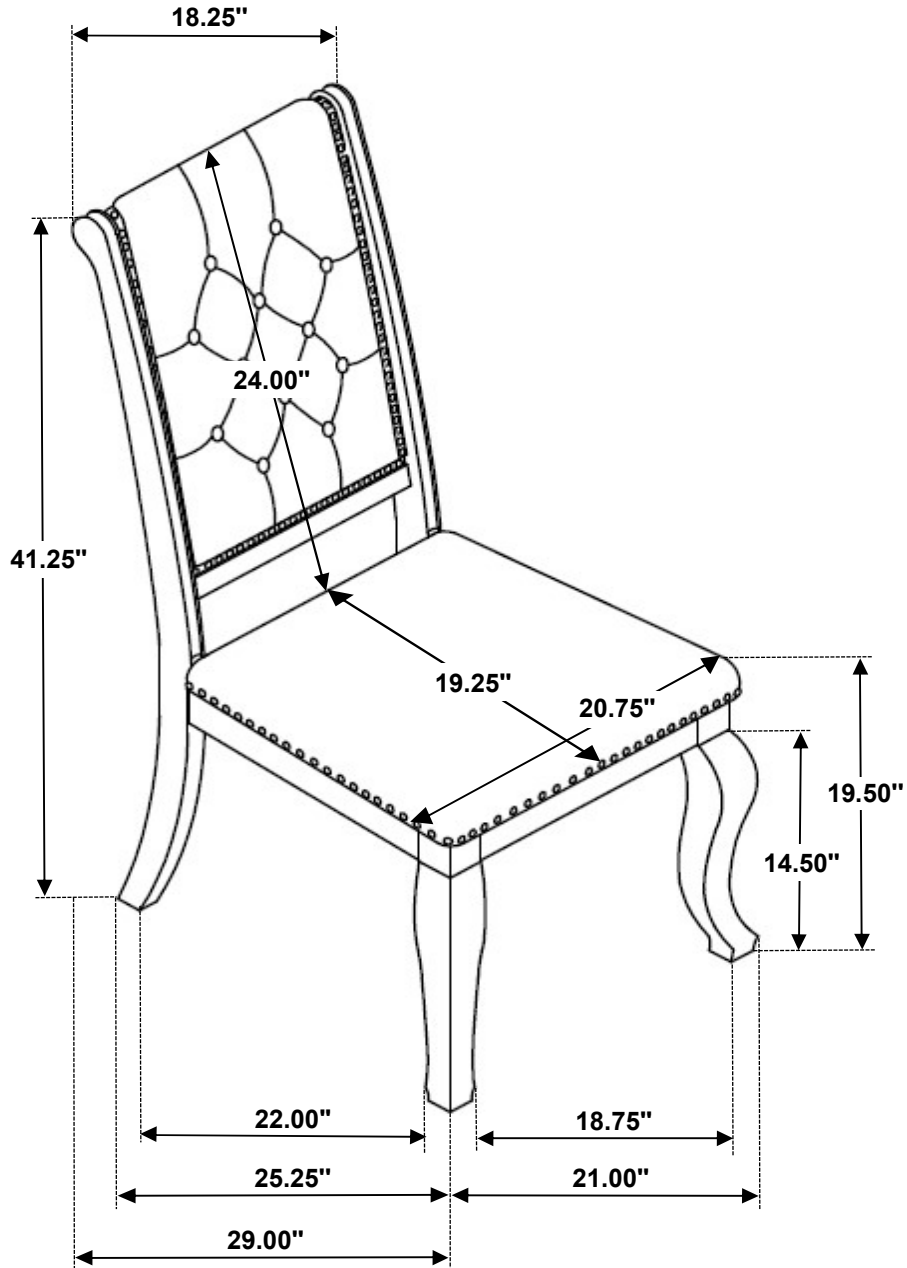


**STEP 4**  
**COMPLETE**



ITEM:121232

**COASTER**  
FINE FURNITURE



Note: Dimension tolerance  $\pm 5\%$

*ASSEMBLY INSTRUCTIONS*  
*COASTER FINE FURNITURE*



*Fine Furniture for every stage of life*

**121233**  
**Arm Chair**

# ITEM:121233



## ASSEMBLY INSTRUCTIONS

### ASSEMBLY TIPS:

1. Remove hardware from box and sort by size.
2. Please check to see that all hardware and parts are present prior to start of assembly.
3. Please follow attached instructions in the same sequence as numbered to assure fast & easy assembly.



### WARNING!




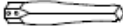
1. Don't attempt to repair or modify parts that are broken or defective. Please contact the store immediately.
2. This product is for home use only and not intended for commercial establishments.







ASSEMBLY TIME

15 MINUTES

## PARTS IDENTIFICATION

A	SEAT AND BACK		1PC
B	LEFT BACK LEG		1PC
C	RIGHT BACK LEG		1PC
D	FRONT LEG		2PCS

## HARDWARE IDENTIFICATION

1	<b>BOLT</b> (1/4 x 13 x 63mm - BLK)		8PCS
2	<b>LOCK WASHER</b> (1/4 x 10 x 1.1mm - BLK)		8PCS
3	<b>FLAT WASHER</b> (1/4 x 2 x 22mm - BLK)		8PCS
4	<b>ALLEN WRENCH</b> (4 x 60mm - BLK)		1PC

### NOTE:

Quantities shown are for one chair.

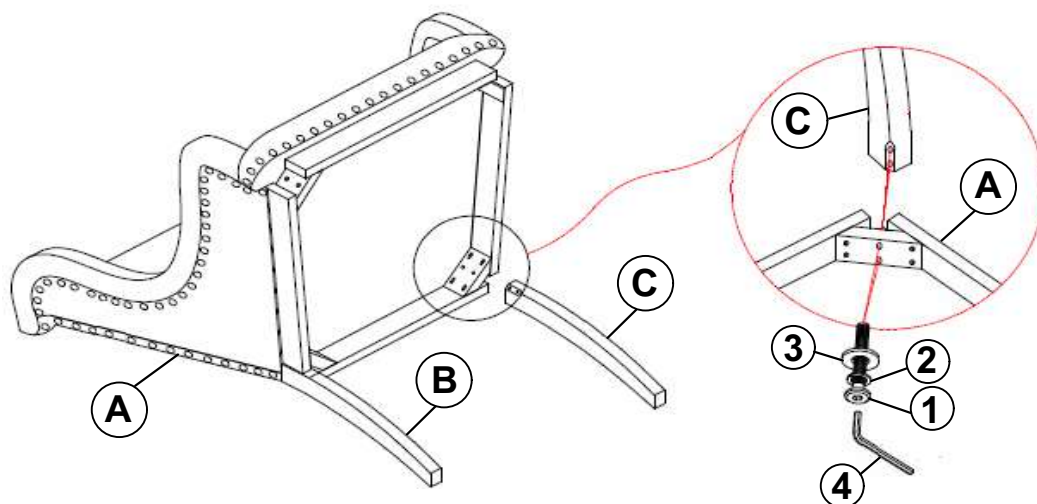
Phillips head screw driver is required in the assembly process; however, manufacturer does not provide this item.

ITEM: **121233**

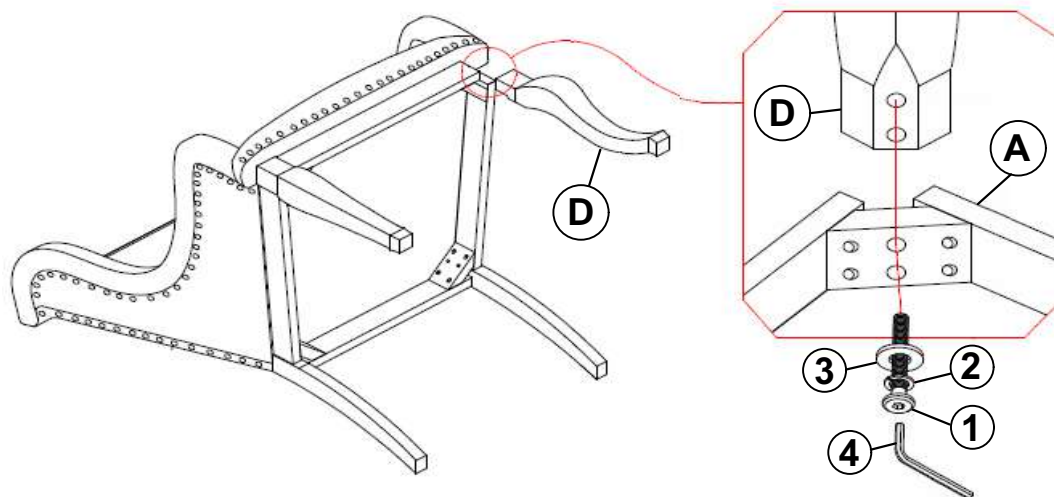
**ASSEMBLY INSTRUCTIONS**



**STEP 1**



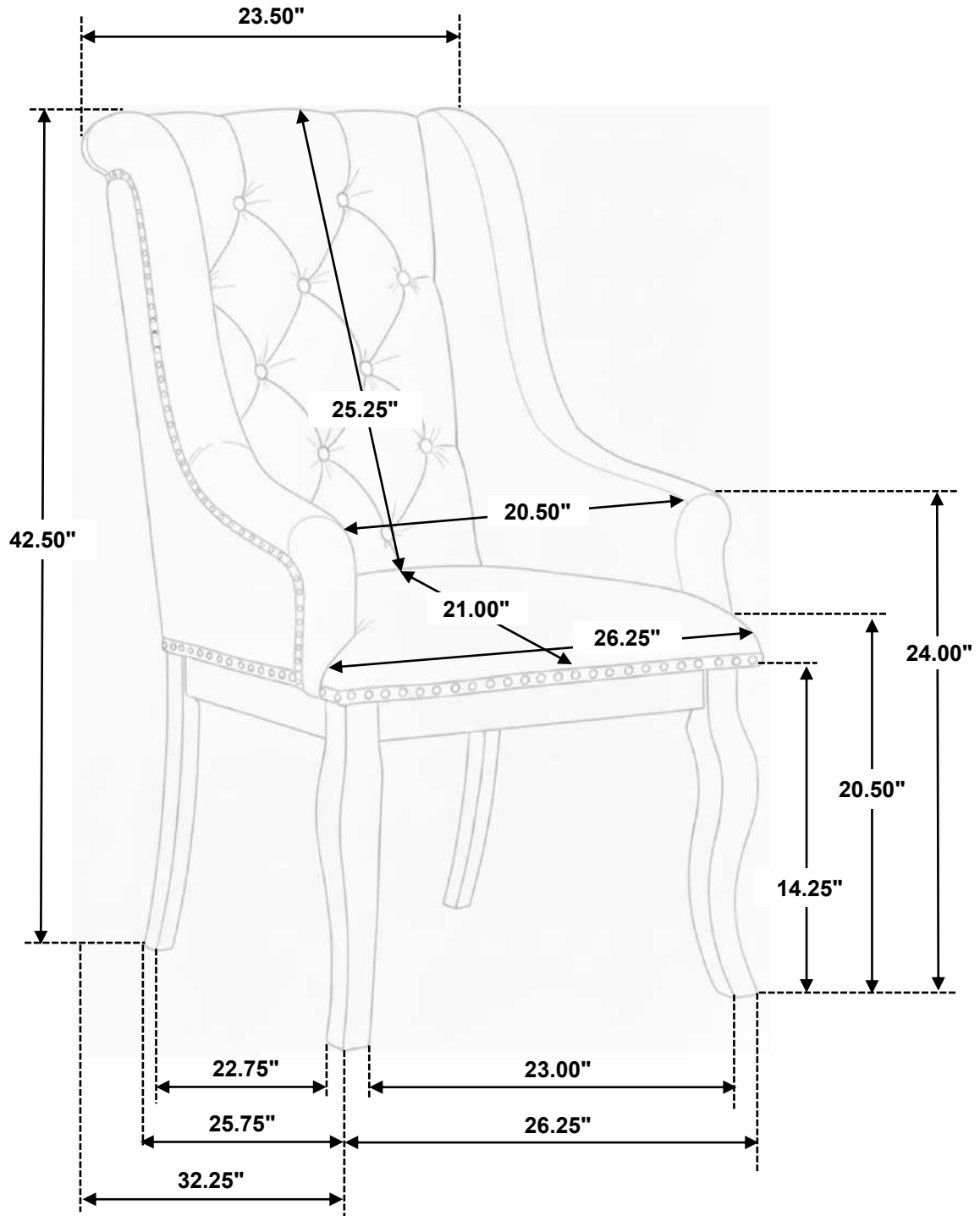
**STEP 2**



**STEP 3**  
**COMPLETE**



ITEM: **121233**



Note: Dimension tolerance  $\pm 5\%$