



ASSEMBLY INSTRUCTIONS
COASTER FINE FURNITURE



Fine Furniture for every stage of life

121261
Dining Table

ITEM: 121261



ASSEMBLY INSTRUCTIONS

ASSEMBLY TIPS:

1. Remove hardware from box and sort by size.
2. Please check to see that all hardware and parts are present prior to start of assembly.
3. Please follow attached instructions in the same sequence as numbered to assure fast & easy assembly.



WARNING!

1. Don't attempt to repair or modify parts that are broken or defective. Please contact the store immediately.
2. This product is for home use only and not intended for commercial establishments.



ASSEMBLY TIME

20 MINUTES

PARTS IDENTIFICATION

A	TOP		1 PC	D	LEG		4PCS
B	MOUNTING PLATE		1 PC	E	LEAF		1PC
C	PEDESTAL COLUMN		1 PC				

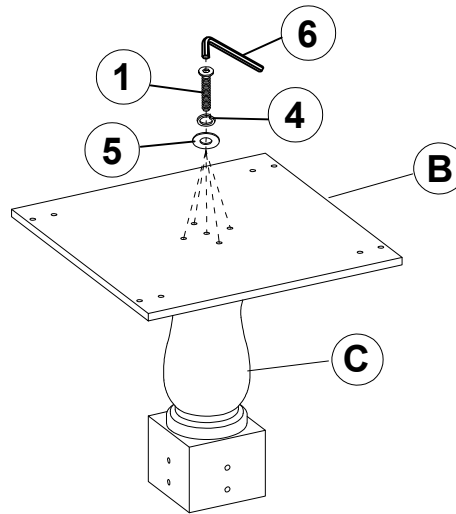
HARDWARE IDENTIFICATION

1	LONG BOLT (Ø5/16" x 63mm - RBW)		5 PCS	5	FLAT WASHER (Ø5/16" x 2mm - RBW)		21PCS
2	SHORT BOLT (Ø5/16" x 38mm - RBW)		8 PCS	6	ALLEN WRENCH (4 x 60mm - RBW)		1 PC
3	HEX NUT (Ø5/16" x 12mm - RBW)		8 PCS	7	WRENCH (12mm - RBW)		1 PC
4	LOCK WASHER (Ø5/16" x 2mm - RBW)		21PCS				

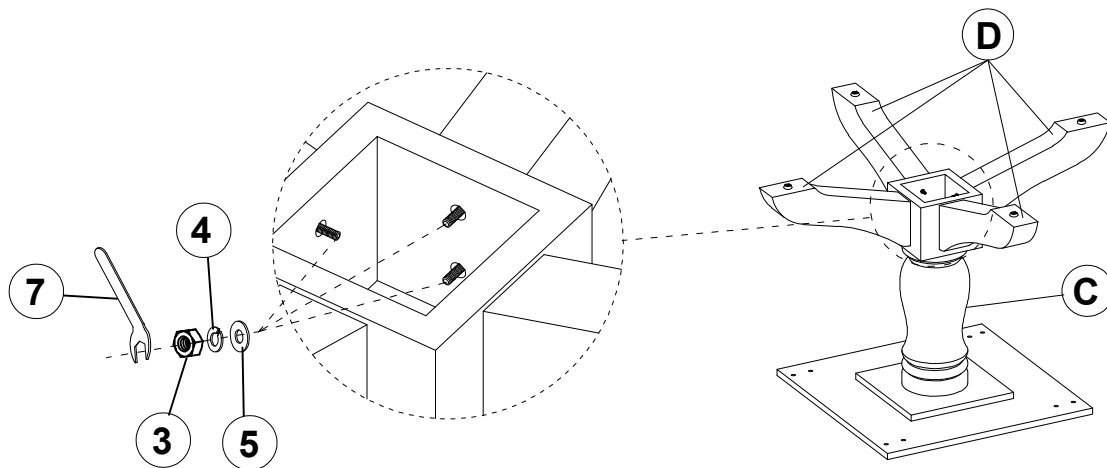
ITEM: **121261**

ASSEMBLY INSTRUCTIONS

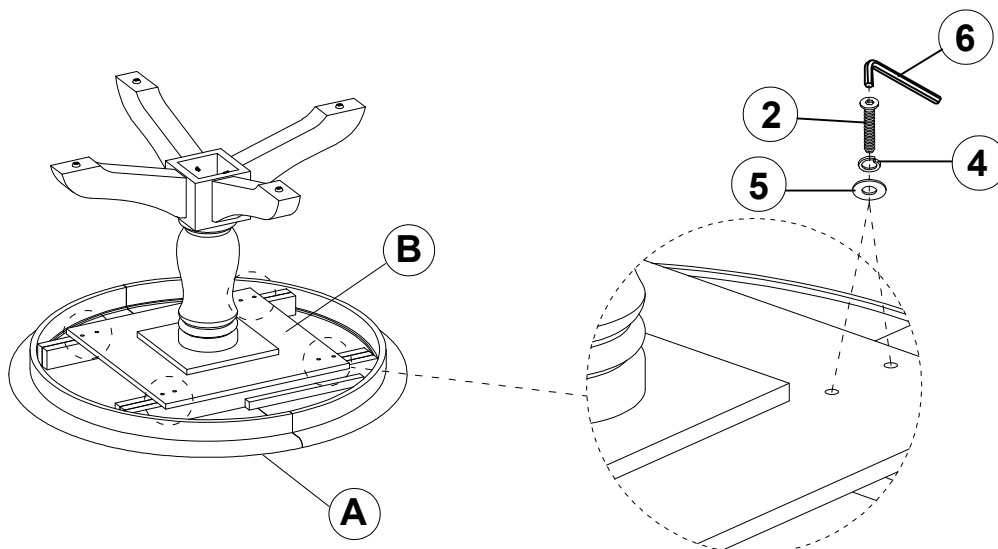
STEP 1



STEP 2



STEP 3

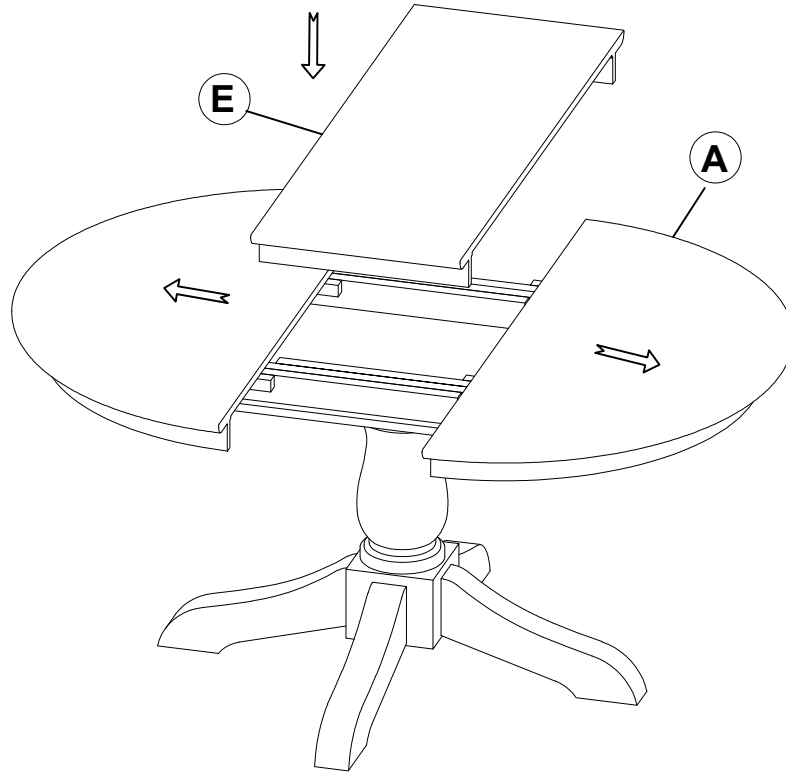


ITEM: **121261**

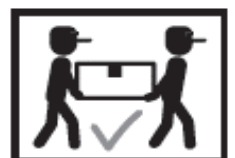
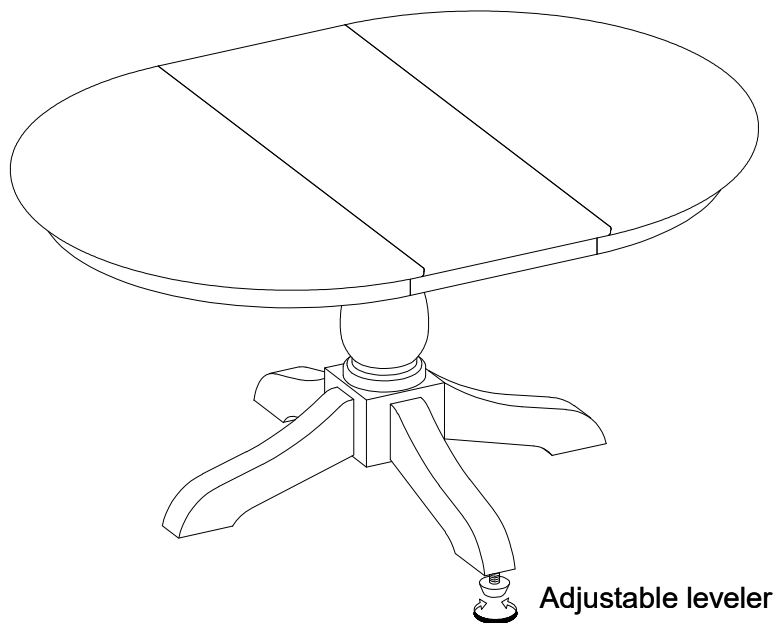
ASSEMBLY INSTRUCTIONS



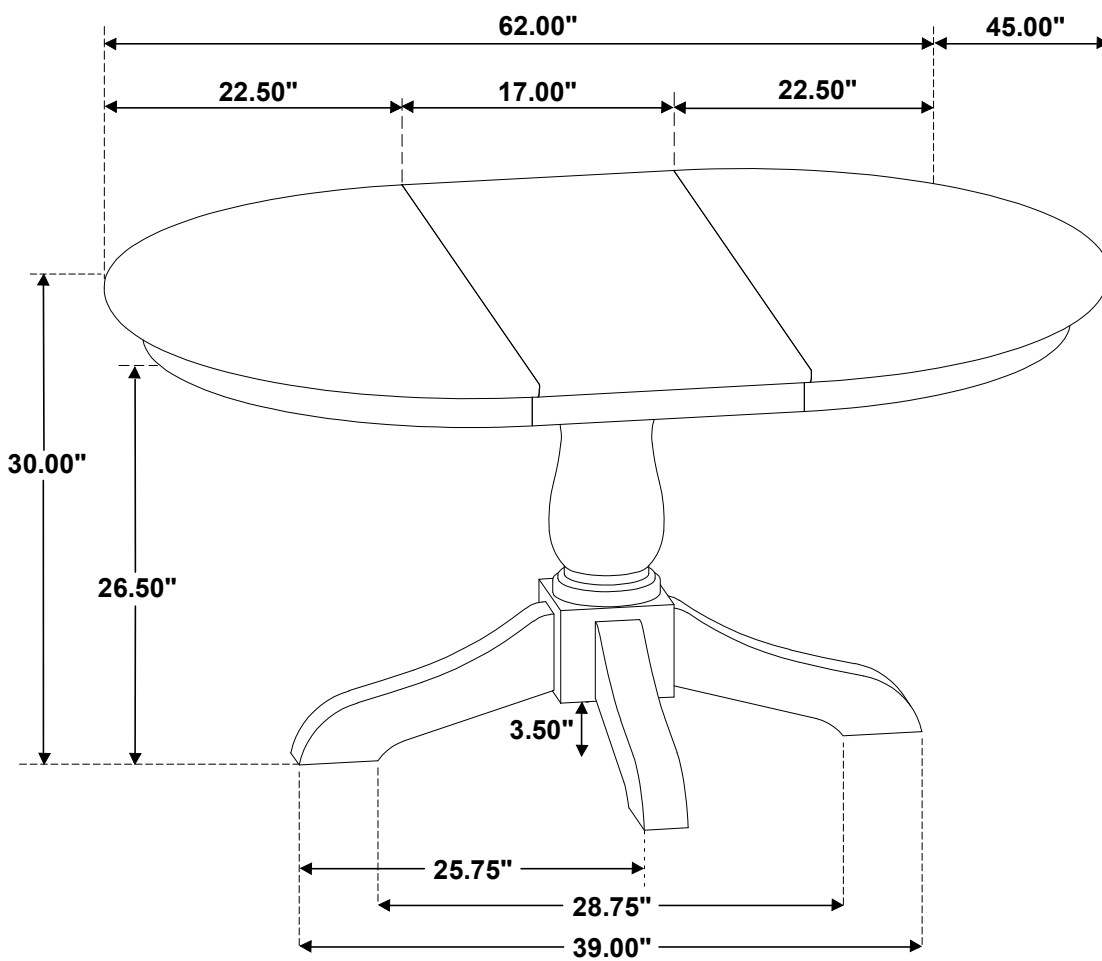
STEP 4



STEP 5
COMPLETE



ITEM: 121261



Note: Dimension tolerance $\pm 5\%$