

*ASSEMBLY INSTRUCTIONS*  
*COASTER FINE FURNITURE*



*Fine Furniture for every stage of life*

**183436N**  
**Counter Chair**

# ITEM: 183436N

## ASSEMBLY INSTRUCTIONS



### ASSEMBLY TIPS:

1. Remove hardware from box and sort by size.
2. Please check to see that all hardware and parts are present prior to start of assembly.
3. Please follow attached instructions in the same sequence as numbered to assure fast & easy assembly.



### WARNING!

1. Don't attempt to repair or modify parts that are broken or defective. Please contact the store immediately.
2. This product is for home use only and not intended for commercial establishments.



ASSEMBLY TIME

15 MINUTES

## PARTS IDENTIFICATION

A BACK CUSHION		1PC	D BACK LEG		1PC
B SEAT CUSHION		1PC	E CONNECTING TUBE		2PCS
C FRONT LEG		1PC	F FOOTREST		1PC

## HARDWARE IDENTIFICATION

1 SHORT BOLT (1/4" x 20mm - BLK)		6PCS	4 LOCK WASHER (Ø1/4" - BLK)		2PCS
2 MEDIUM BOLT (1/4" x 30mm - BLK)		6PCS	5 FLAT WASHER (Ø1/4" - BLK)		2PCS
3 LONG BOLT (1/4" x 60mm - BLK)		3PCS	6 ALLEN WRENCH (4 x 26 x 60mm - BLK)		1PC

### NOTE:

Quantities shown are for one chair.

Phillips head screw driver is required in the assembly process; however, manufacturer does not provide this item.

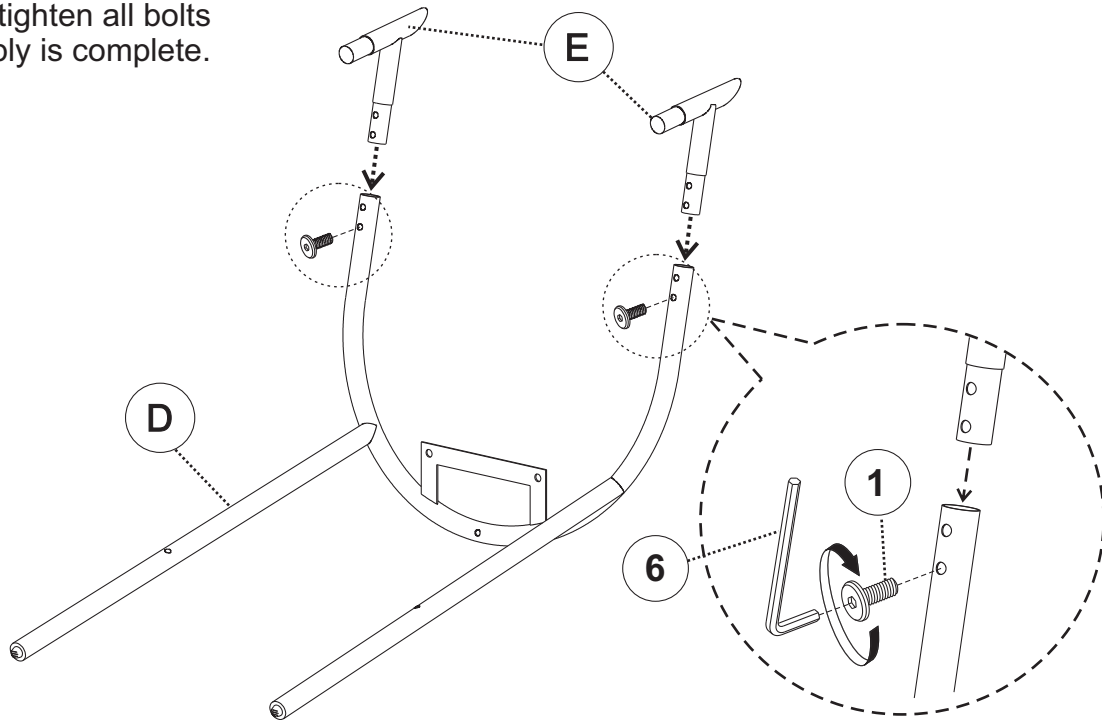
# ITEM: 183436N

## ASSEMBLY INSTRUCTIONS

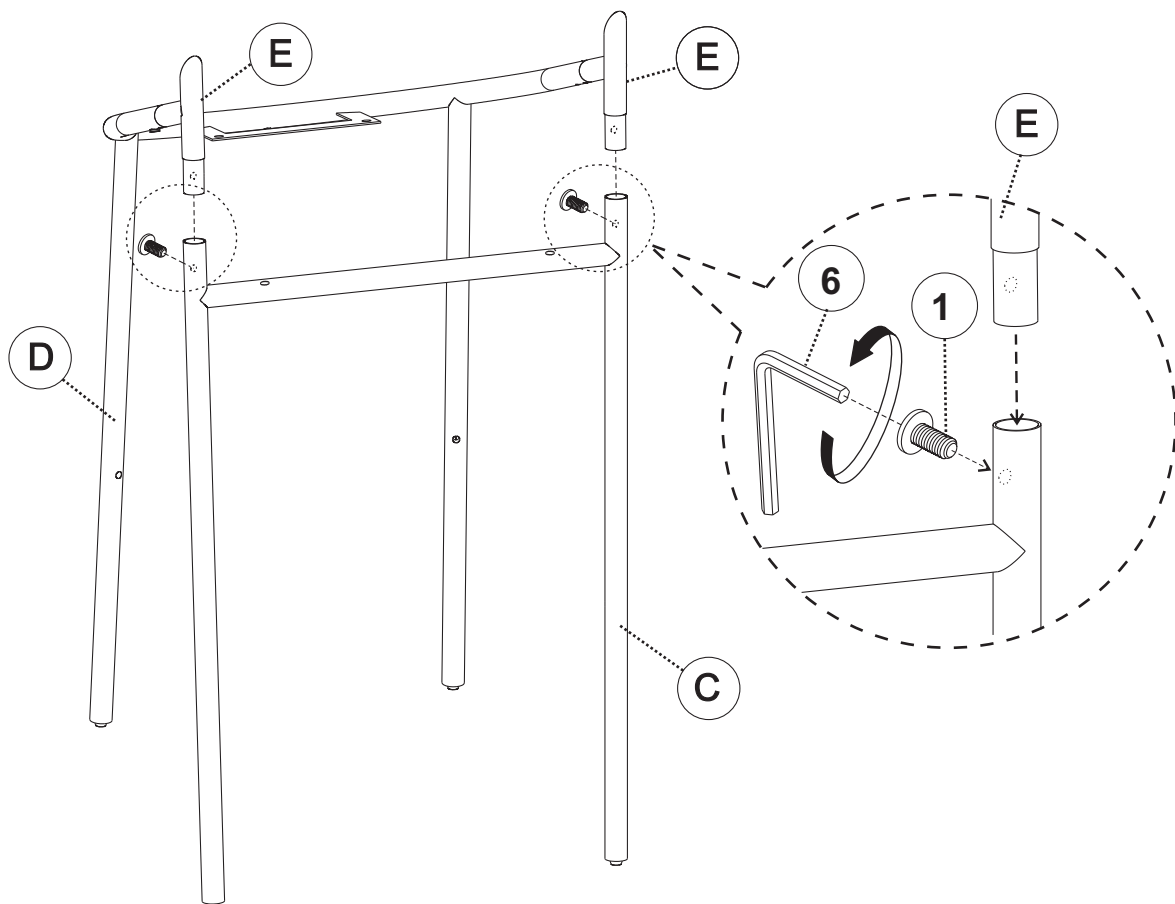


### STEP 1

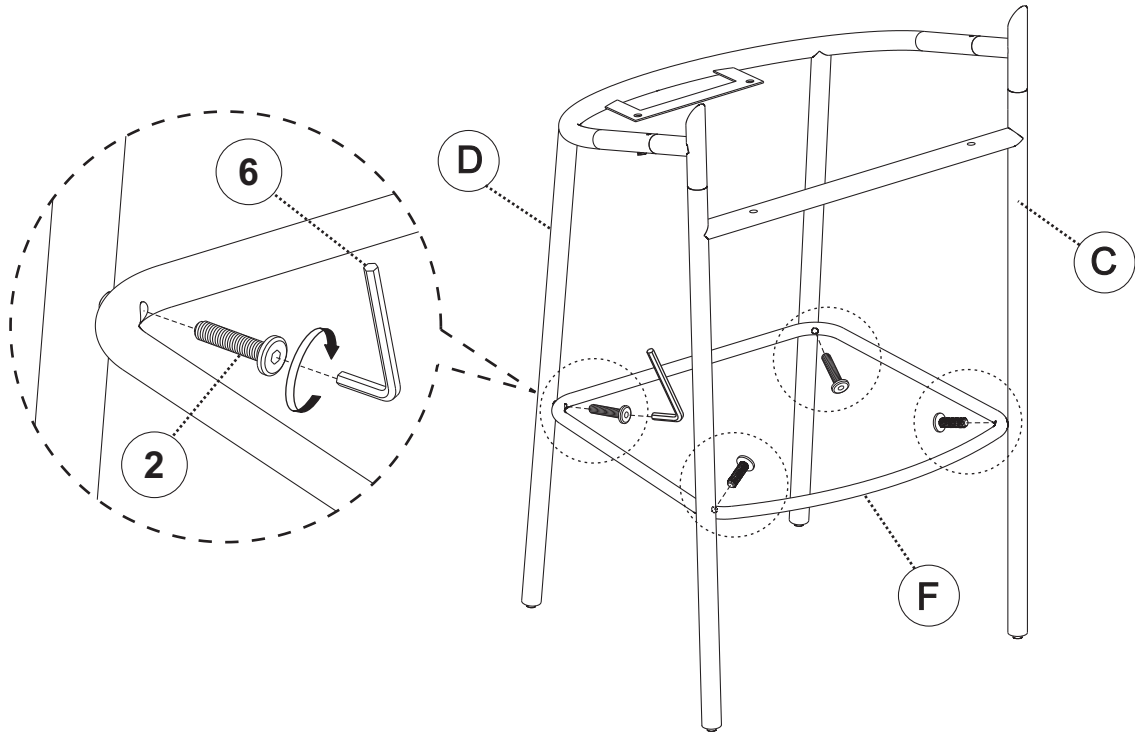
Do not fully tighten all bolts until assembly is complete.



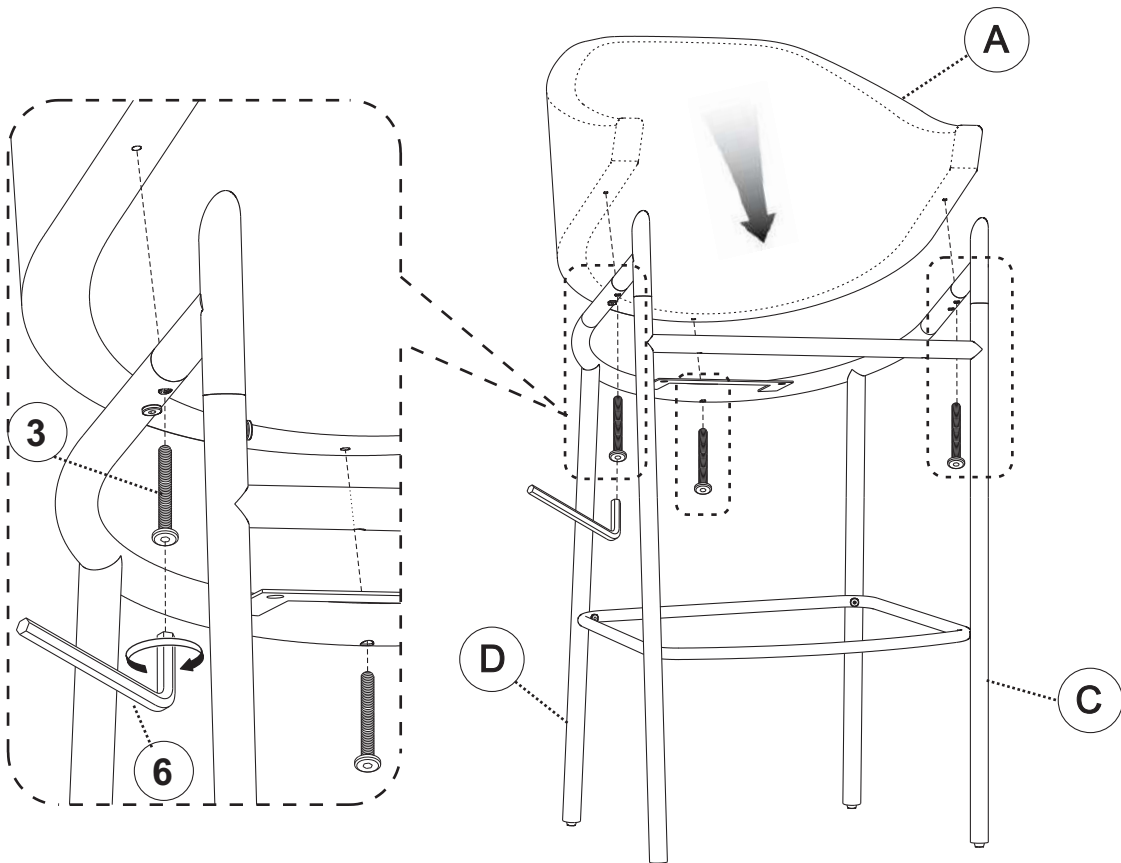
### STEP 2



ITEM: **183436N**  
**ASSEMBLY INSTRUCTIONS**  
**STEP 3**

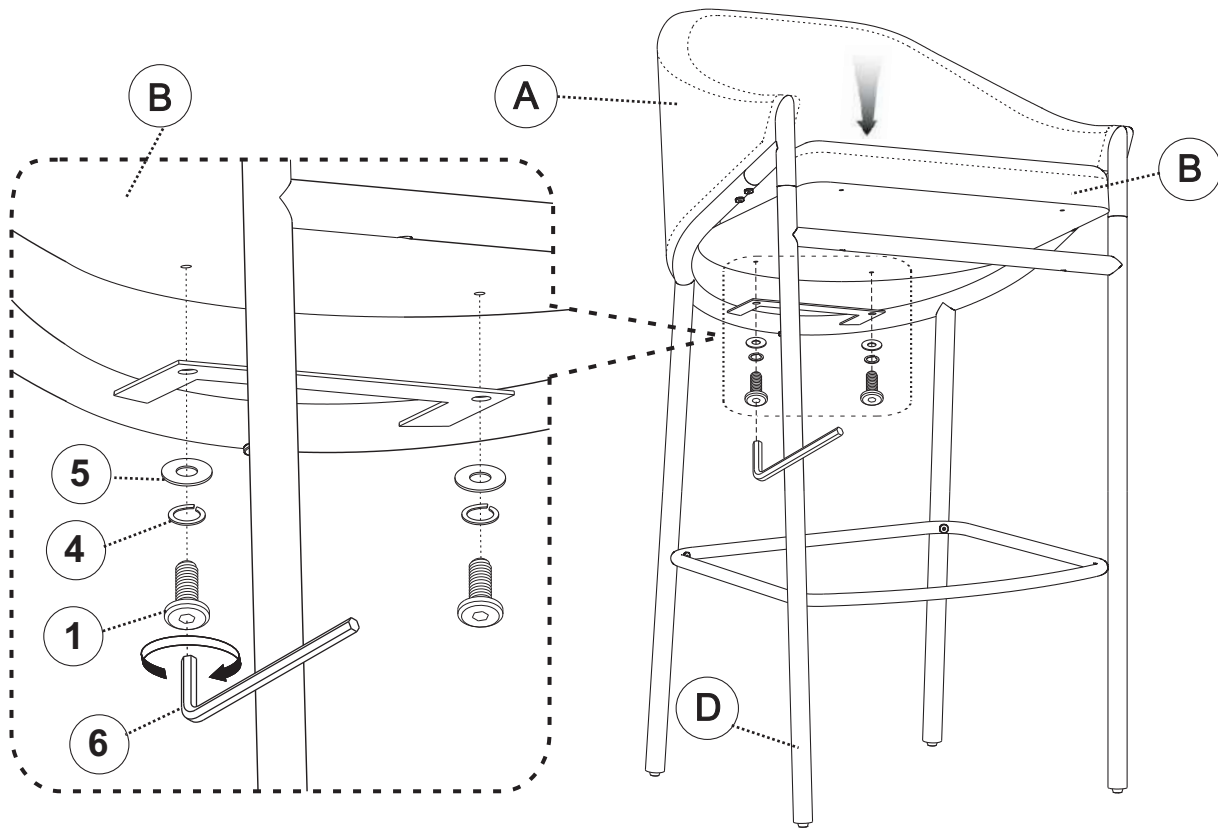


**STEP 4**

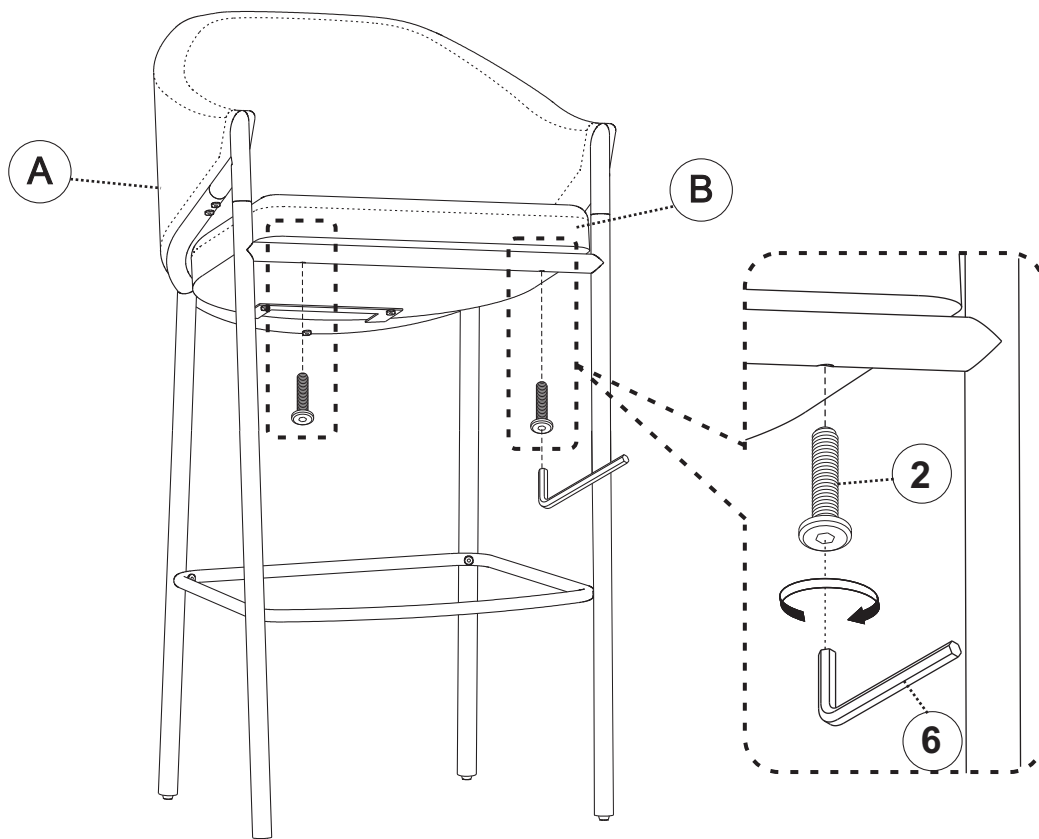


ITEM: **183436N**  
**ASSEMBLY INSTRUCTIONS**

**STEP 5**



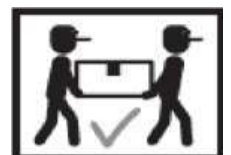
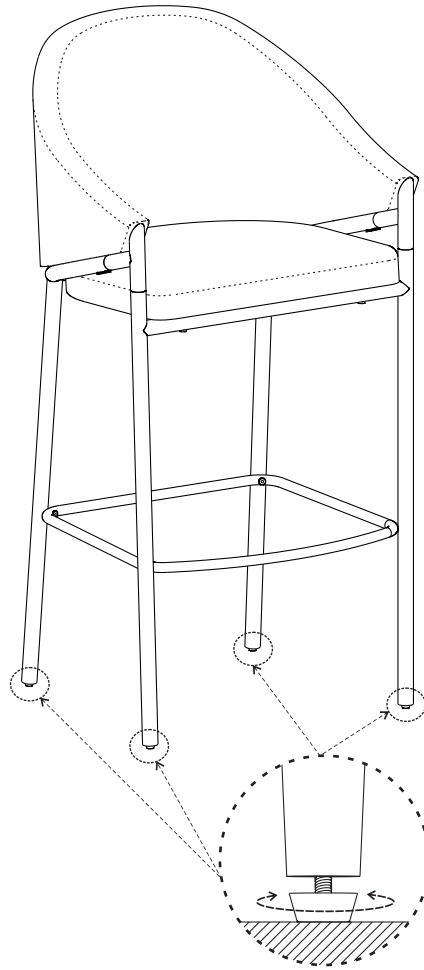
**STEP 6**



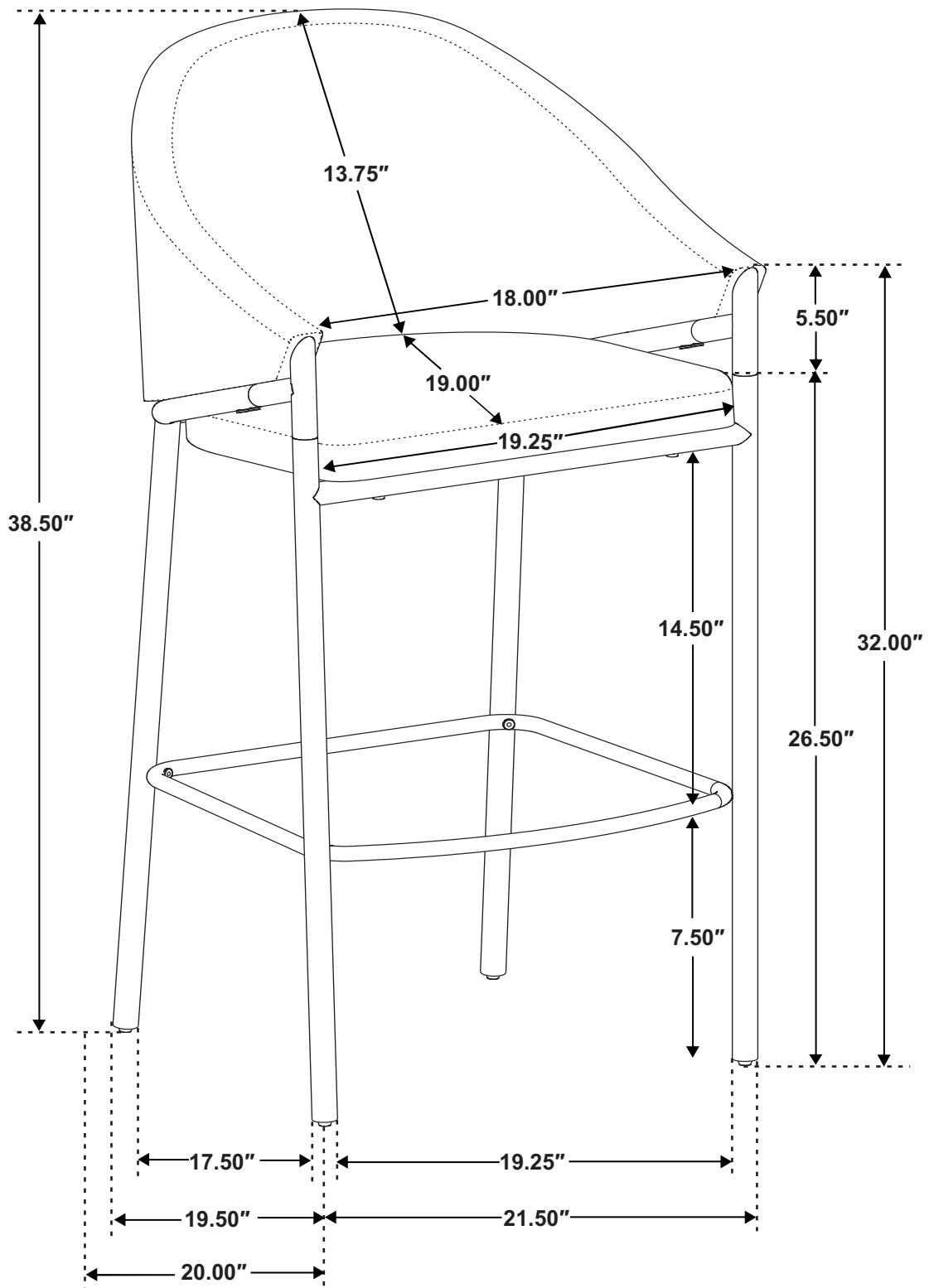
ITEM: **183436N**  
**ASSEMBLY INSTRUCTIONS**



**STEP 7**  
**COMPLETE**



ITEM: 183436N



Note: Dimension tolerance  $\pm 5\%$