

**ASSEMBLY INSTRUCTIONS**  
**COASTER FINE FURNITURE**



*Fine Furniture for every stage of life*

**193930NAT**  
**Dining Table**

# ITEM: 193930NAT

## ASSEMBLY INSTRUCTIONS



### ASSEMBLY TIPS:

1. Remove hardware from box and sort by size.
2. Please check to see that all hardware and parts are present prior to start of assembly.
3. Please follow attached instructions in the same sequence as numbered to assure fast & easy assembly.



### WARNING!

1. Don't attempt to repair or modify parts that are broken or defective. Please contact the store immediately.
2. This product is for home use only and not intended for commercial establishments.




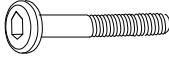
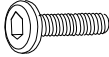


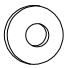
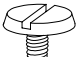
**ASSEMBLY TIME**

**20 MINUTES**

## PARTS IDENTIFICATION

<b>A</b>	<b>TOP</b>		<b>1PC</b>
<b>B</b>	<b>MOUNTING PLATE (PRE-ATTACHED TO TOP )</b>		<b>1PC</b>
<b>C</b>	<b>LEG</b>		<b>3PCS</b>

## HARDWARE IDENTIFICATION

<b>1</b>	<b>ALLEN WRENCH (M4 x 63mm - BLK)</b>		<b>1PC</b>
<b>2</b>	<b>LONG BOLT (M6 x 50mm - RBW)</b>		<b>12PCS</b>
<b>3</b>	<b>SHORT BOLT (M6 x 35mm - RBW)</b>		<b>8PCS</b>
<b>4</b>	<b>LOCK WASHER (1/4" - BLK)</b>		<b>20PCS</b>
<b>5</b>	<b>SMALL FLAT WASHER (M6 x 13mm - RBW)</b>		<b>6PCS</b>
<b>6</b>	<b>BIG FLAT WASHER (1/4" - RBW)</b>		<b>14PCS</b>
<b>7</b>	<b>LEVELER (M6 x 14.8mm)</b>		<b>6PCS</b>

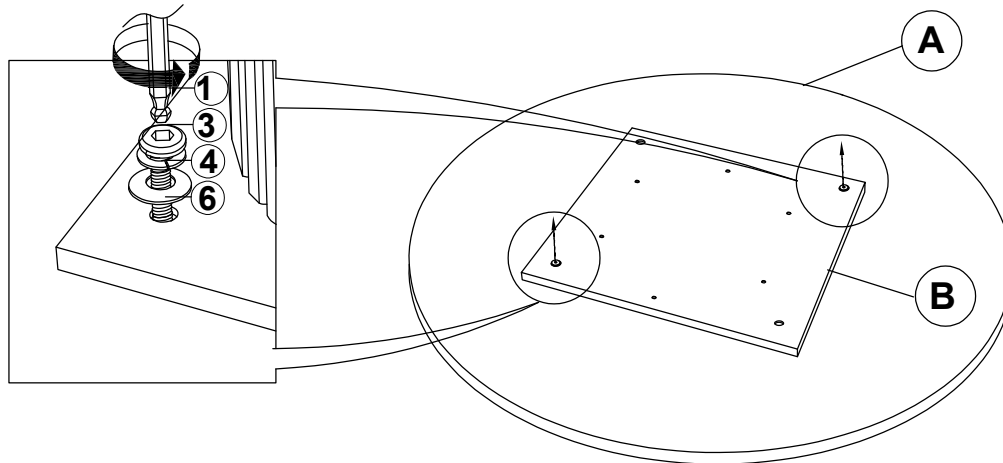
# ITEM: 193930NAT

## ASSEMBLY INSTRUCTIONS

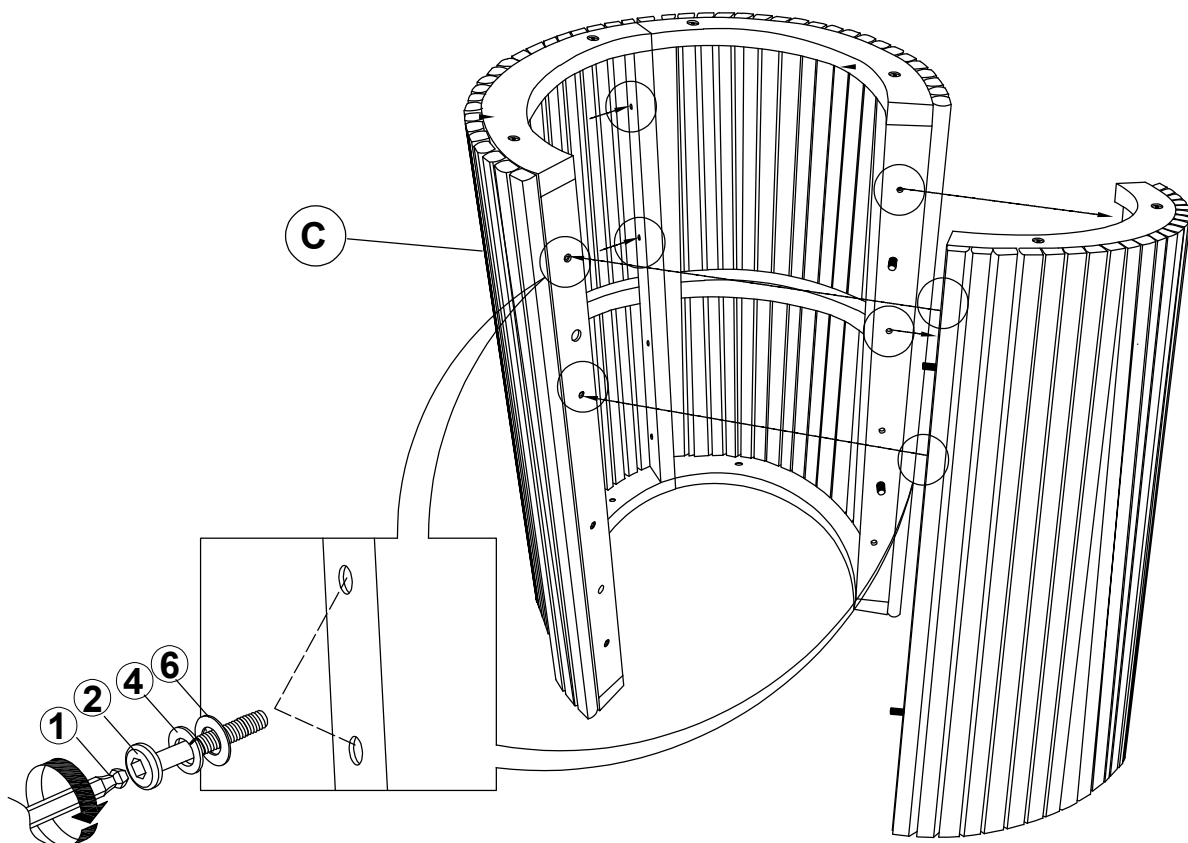


### STEP 1

Unscrew all hardware Short Bolt, Lock Washer & Big Flat Washer.  
Keep the hardware to be use in **STEP 5**.



### STEP 2



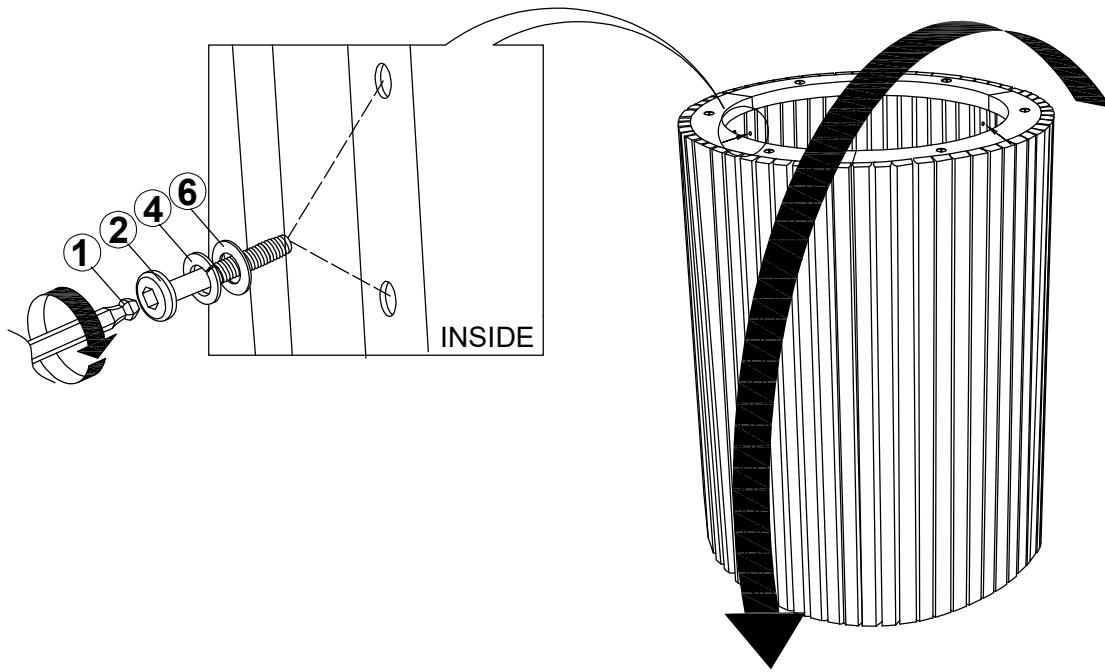
# ITEM: 193930NAT

## ASSEMBLY INSTRUCTIONS

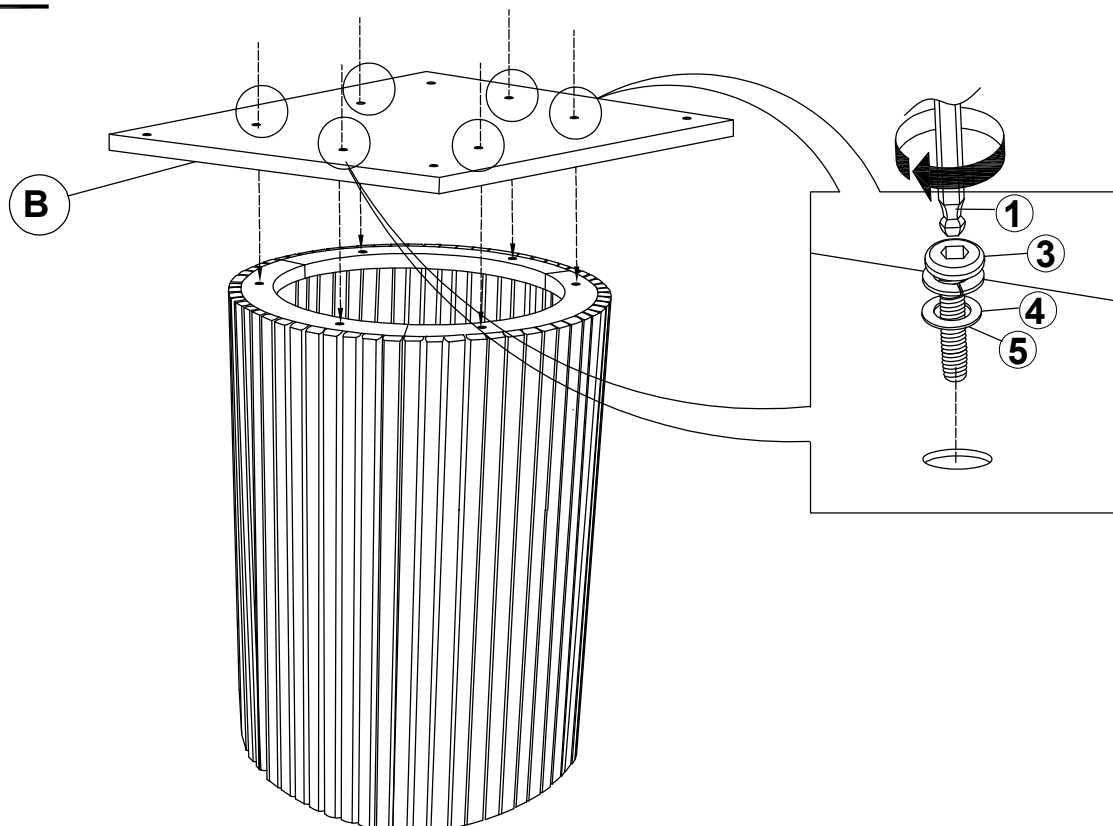


### STEP 3

Attention! Carefully turn the table base assembly to the other side before proceeding with the next step.



### STEP 4

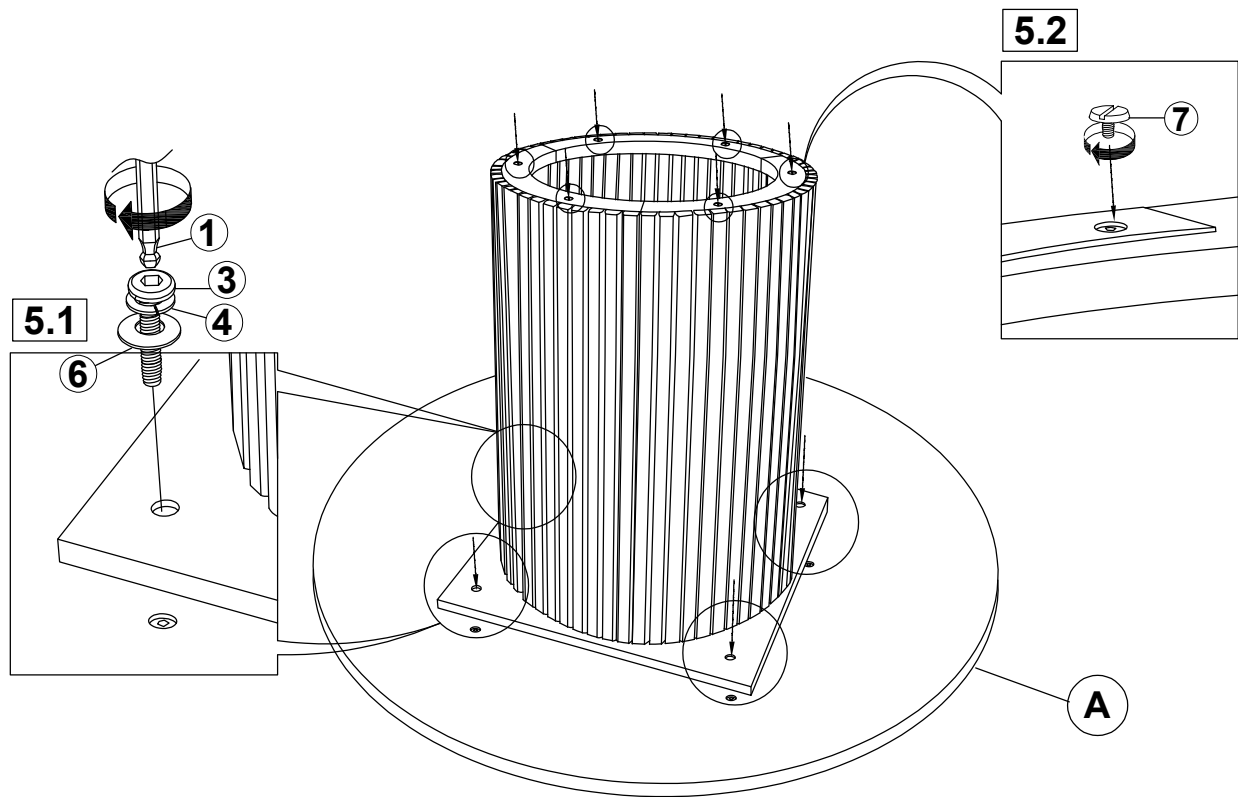


# ITEM: 193930NAT

## ASSEMBLY INSTRUCTIONS

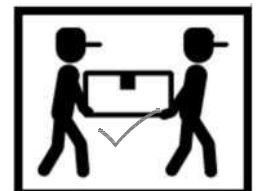
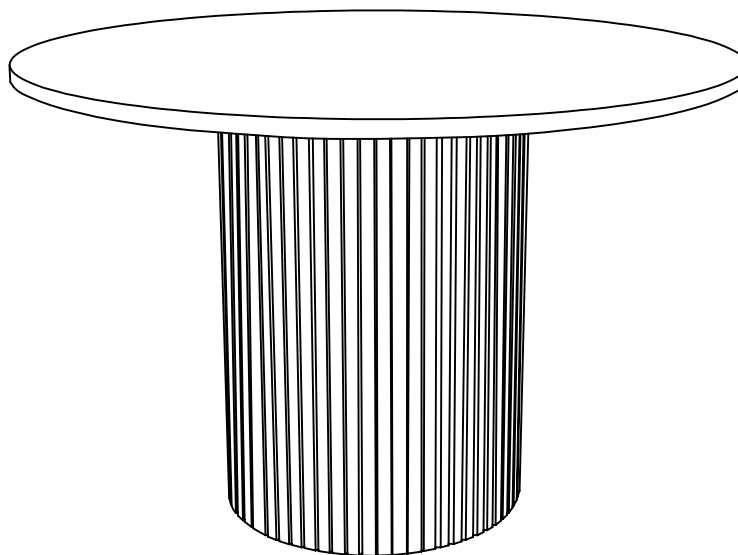


### STEP 5

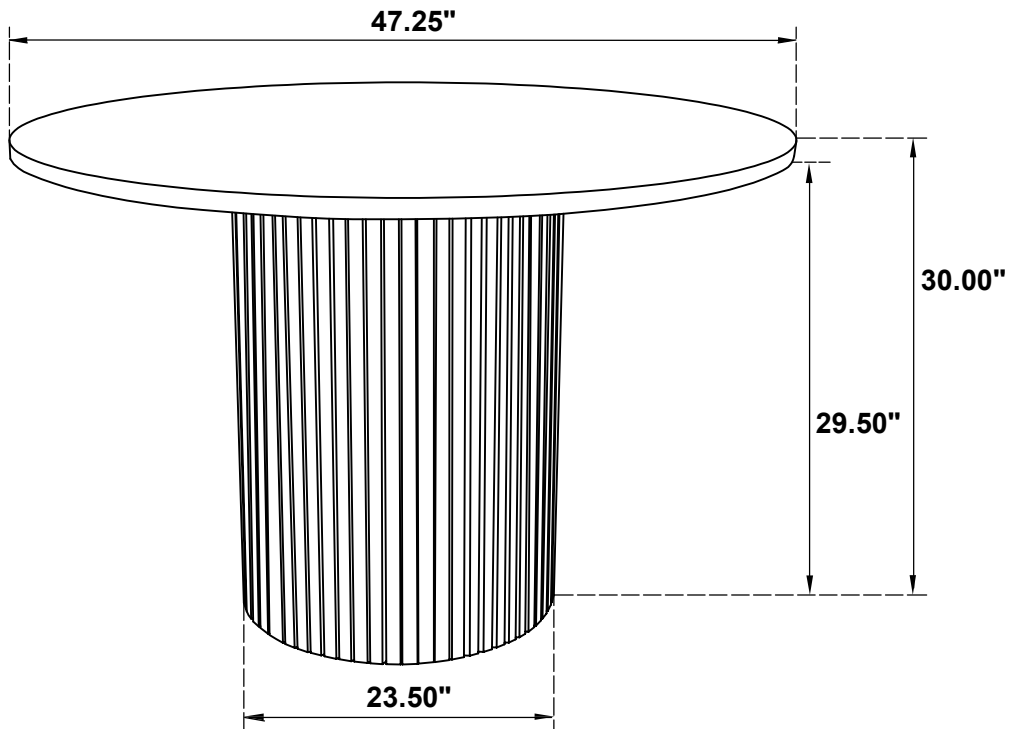


### STEP 6

## COMPLETE



ITEM: **193930NAT**



**Note: Dimension tolerance  $\pm 5\%$**

**ASSEMBLY INSTRUCTIONS**  
**COASTER FINE FURNITURE**



*Fine Furniture for every stage of life*

**193932NAT**  
**Side Chair**

# ITEM: 193932NAT



## ASSEMBLY INSTRUCTIONS

### ASSEMBLY TIPS:

1. Remove hardware from box and sort by size.
2. Please check to see that all hardware and parts are present prior to start of assembly.
3. Please follow attached instructions in the same sequence as numbered to assure fast & easy assembly.



### WARNING!

1. Don't attempt to repair or modify parts that are broken or defective. Please contact the store immediately.
2. This product is for home use only and not intended for commercial establishments.

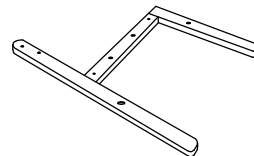


ASSEMBLY TIME

15 MINUTES

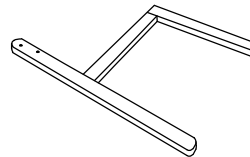
## PARTS IDENTIFICATION

A RIGHT LEG FRAME



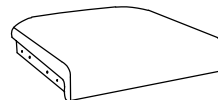
1PC

B LEFT LEG FRAME



1PC

C SEAT CUSHION WITH FRAME



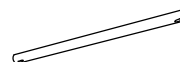
1PC

D BACKREST



1PC

E FRONT AND BACK  
LOWER RAIL



2PCS

### NOTE :

Quantities shown are for one chair.

# ITEM: 193932NAT



## ASSEMBLY INSTRUCTIONS

### ASSEMBLY TIPS:


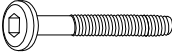
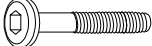



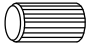


1. Remove hardware from box and sort by size.
2. Please check to see that all hardware and parts are present prior to start of assembly.
3. Please follow attached instructions in the same sequence as numbered to assure fast & easy assembly.



### WARNING!

1. Don't attempt to repair or modify parts that are broken or defective. Please contact the store immediately.
2. This product is for home use only and not intended for commercial establishments.

## HARDWARE IDENTIFICATION

1	<b>ALLEN WRENCH</b> (M4 x 100mm - BLK)		1PC
2	<b>LONG BOLT</b> (M6 x 50mm - RBW)		4PCS
3	<b>SHORT BOLT</b> (M6 x 40mm - RBW)		4PCS
4	<b>LOCK WASHER</b> (1/4" - BLK)		8PCS
5	<b>SMALL FLAT WASHER</b> (M6 x 13mm - RBW)		4PCS
6	<b>BIG FLAT WASHER</b> (1/4" - RBW)		4PCS
7	<b>WOOD DOWEL</b> (M10 x 30mm)		4PCS
8	<b>PAN HEAD SCREW</b> (#8 x 1 1/4" - BLK)		4PCS
9	<b>WOOD PLUG</b> (Ø14.5 x 9mm)		4PCS

### NOTE :

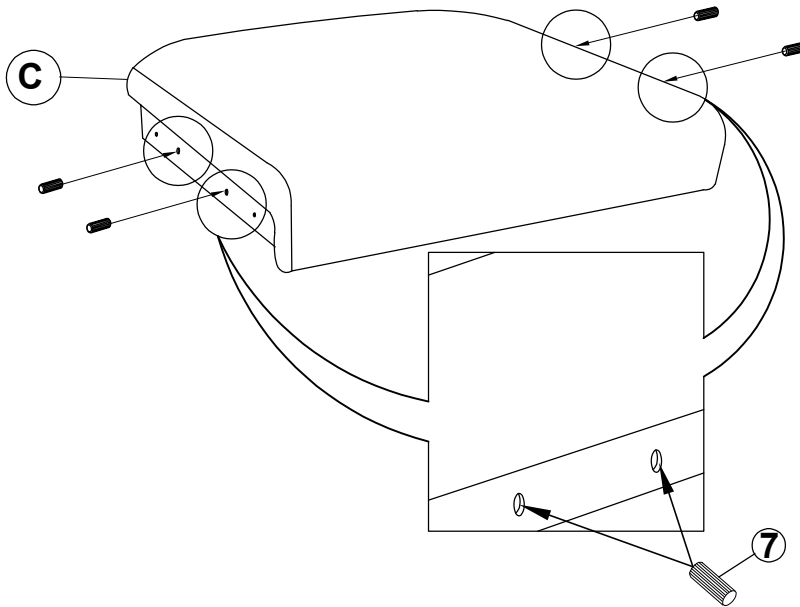
Phillips head screw driver is required in the assembly process ; However, manufacturer does not provide this item.  
Quantities shown are for one chair.

# ITEM: 193932NAT

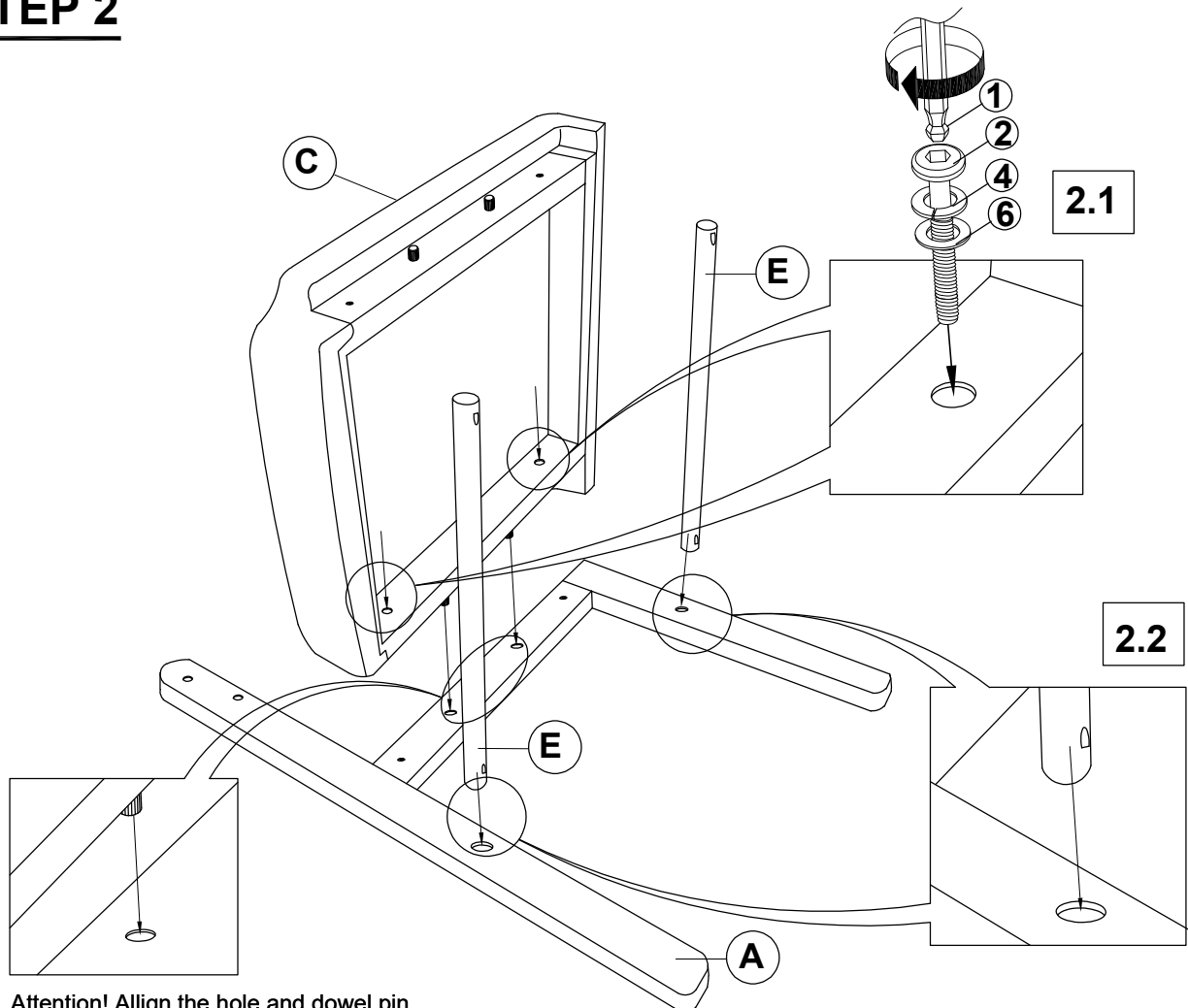


## ASSEMBLY INSTRUCTIONS

### STEP 1



### STEP 2



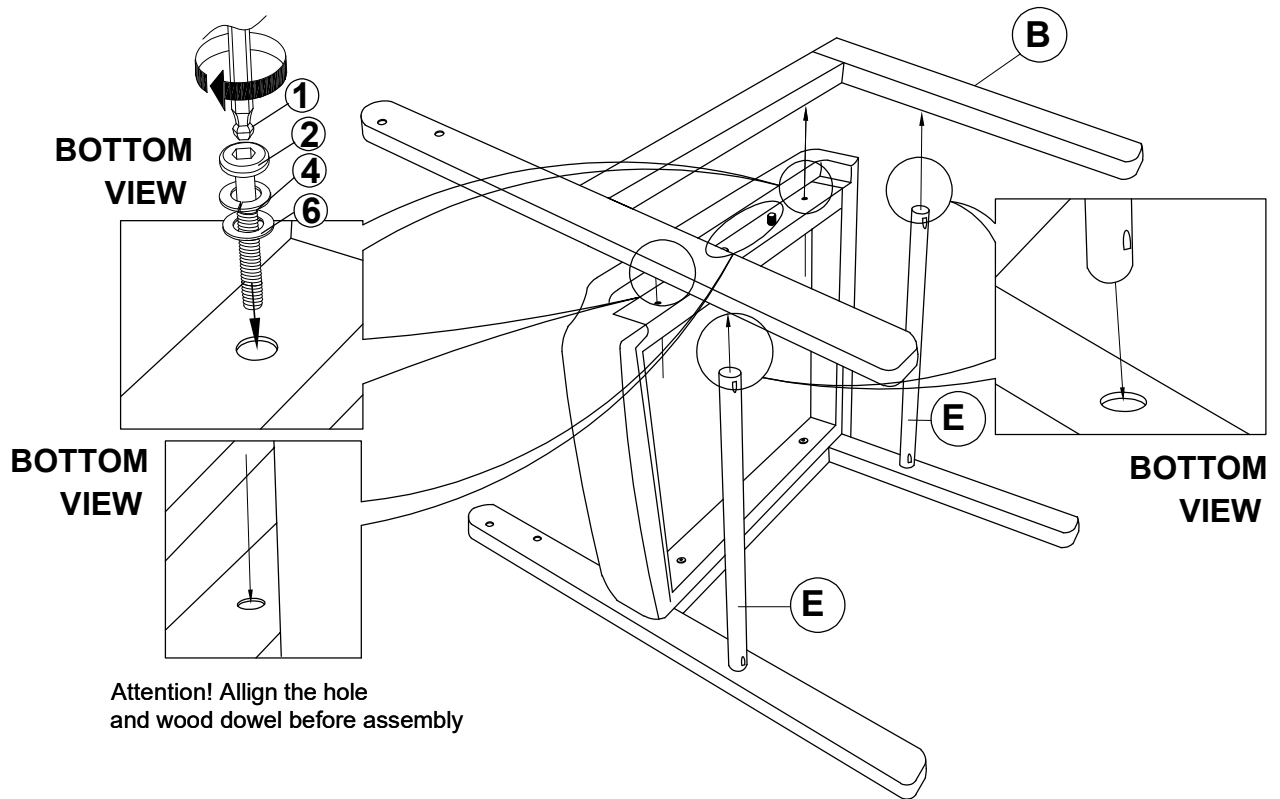
Attention! Align the hole and dowel pin before assembly

# ITEM: 193932NAT

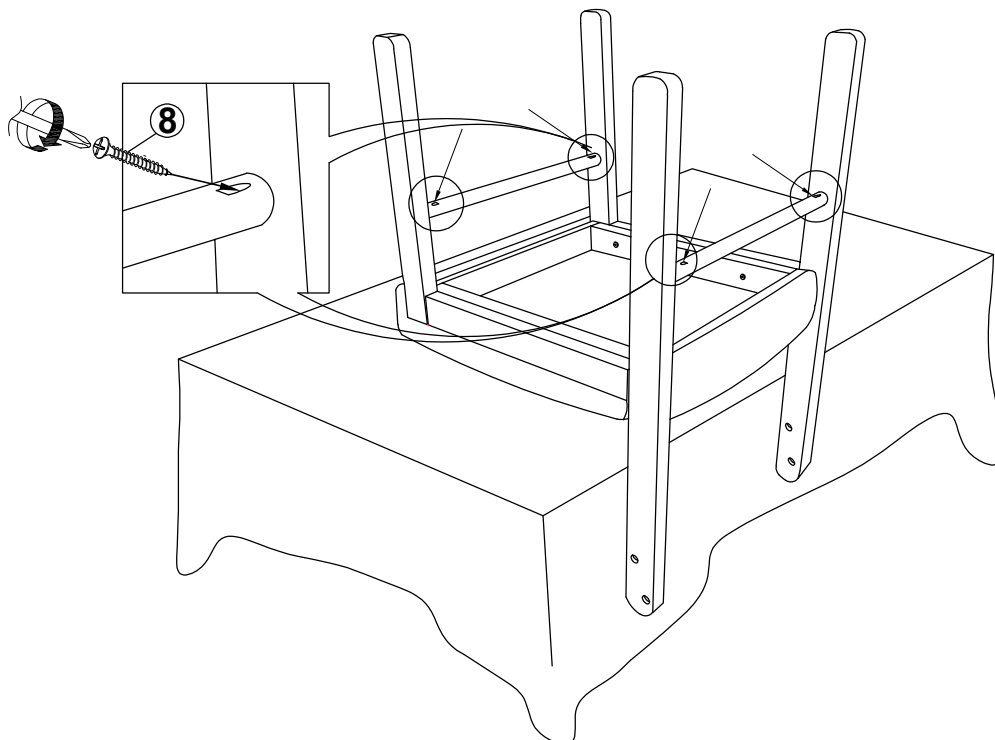


## ASSEMBLY INSTRUCTIONS

### STEP 3



### STEP 4

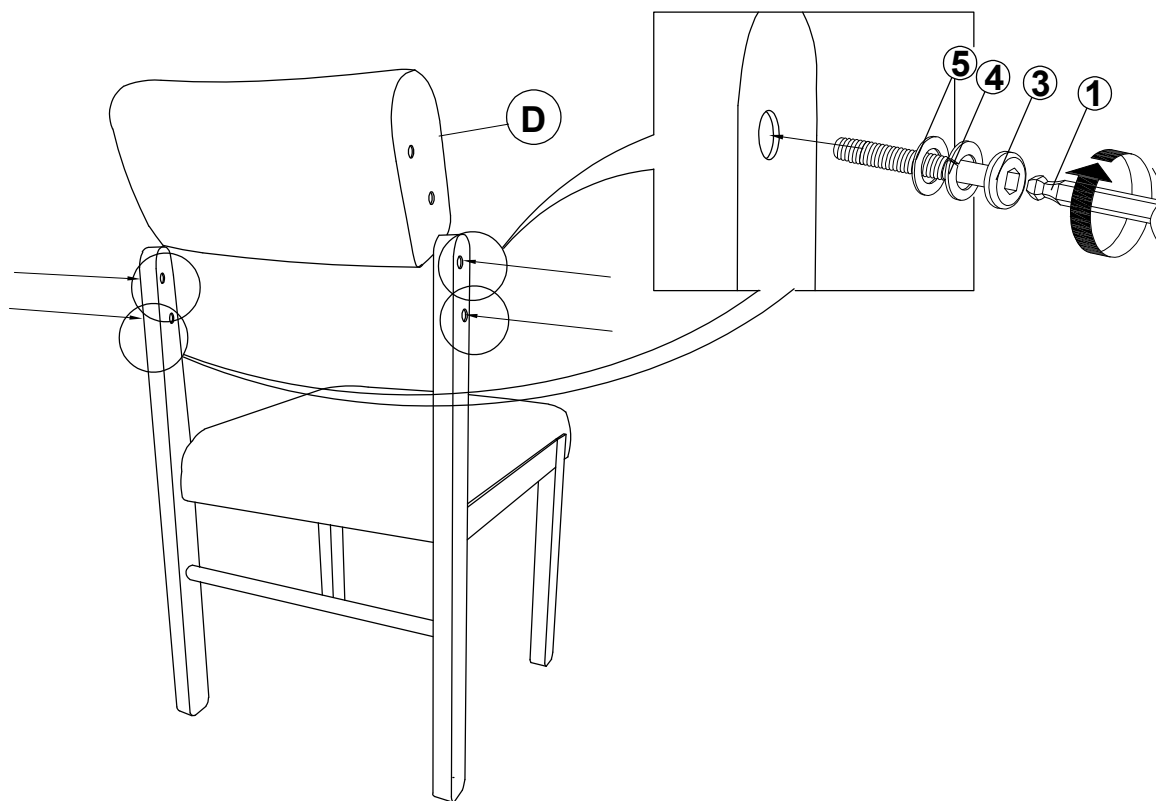


ITEM: **193932NAT**

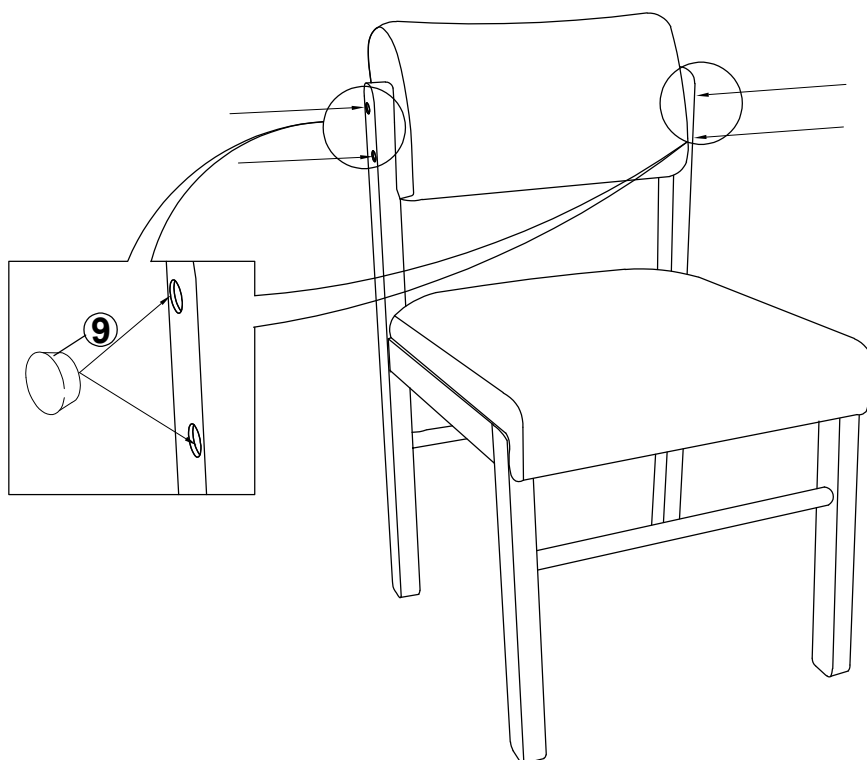


**ASSEMBLY INSTRUCTIONS**

**STEP 5**



**STEP 6**



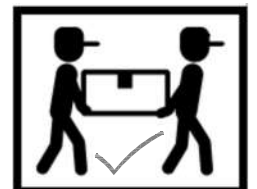
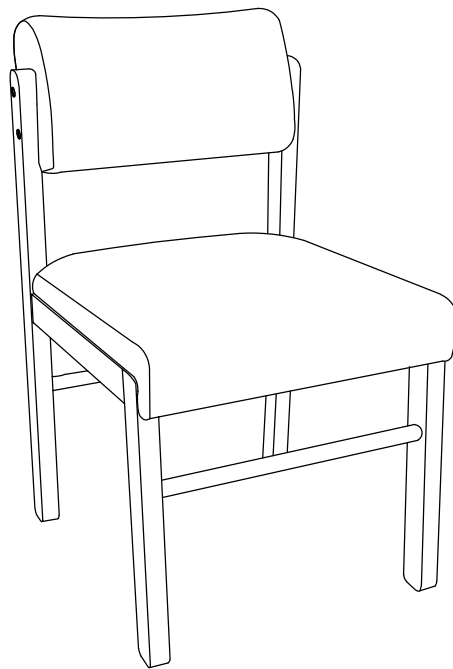
ITEM: **193932NAT**



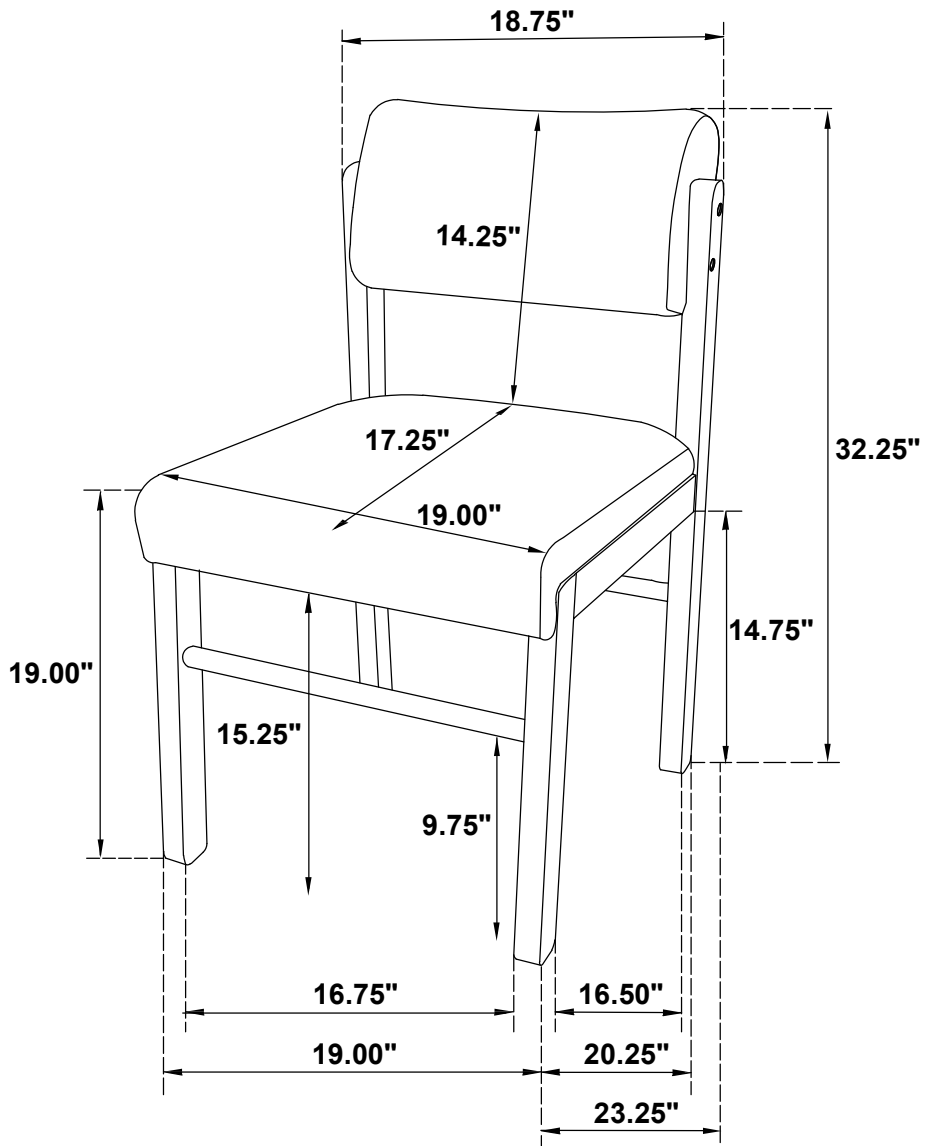
**ASSEMBLY INSTRUCTIONS**

**STEP 7**

**COMPLETE**



ITEM: **193932NAT**



Note: Dimension tolerance  $\pm 5\%$