

ASSEMBLY INSTRUCTIONS
COASTER FINE FURNITURE



Fine Furniture for every stage of life

193930WAL
Dining Table

ITEM: 193930WAL

ASSEMBLY INSTRUCTIONS



ASSEMBLY TIPS:

1. Remove hardware from box and sort by size.
2. Please check to see that all hardware and parts are present prior to start of assembly.
3. Please follow attached instructions in the same sequence as numbered to assure fast & easy assembly.



WARNING!

1. Don't attempt to repair or modify parts that are broken or defective. Please contact the store immediately.
2. This product is for home use only and not intended for commercial establishments.




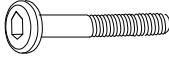
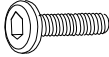


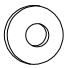
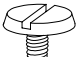
ASSEMBLY TIME

20 MINUTES

PARTS IDENTIFICATION

| | | | |
|----------|--|---|-------------|
| A | TOP |  | 1PC |
| B | MOUNTING PLATE (PRE-ATTACHED TO TOP) |  | 1PC |
| C | LEG |  | 3PCS |

HARDWARE IDENTIFICATION

| | | | |
|----------|--|--|--------------|
| 1 | ALLEN WRENCH (M4 x 63mm - BLK) |  | 1PC |
| 2 | LONG BOLT (M6 x 50mm - RBW) |  | 12PCS |
| 3 | SHORT BOLT (M6 x 35mm - RBW) |  | 8PCS |
| 4 | LOCK WASHER (1/4" - BLK) |  | 20PCS |
| 5 | SMALL FLAT WASHER (M6 x 13mm - RBW) |  | 6PCS |
| 6 | BIG FLAT WASHER (1/4" - RBW) |  | 14PCS |
| 7 | LEVELER (M6 x 14.8mm) |  | 6PCS |

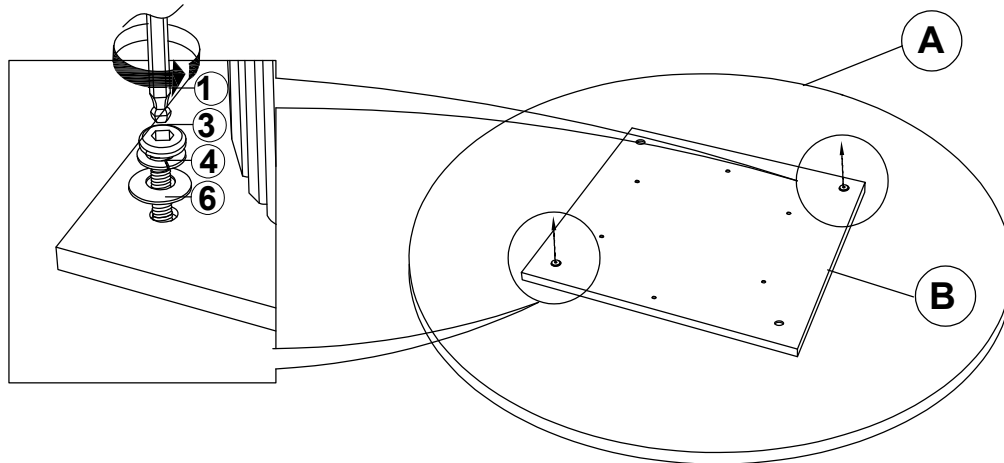
ITEM: 193930WAL

ASSEMBLY INSTRUCTIONS

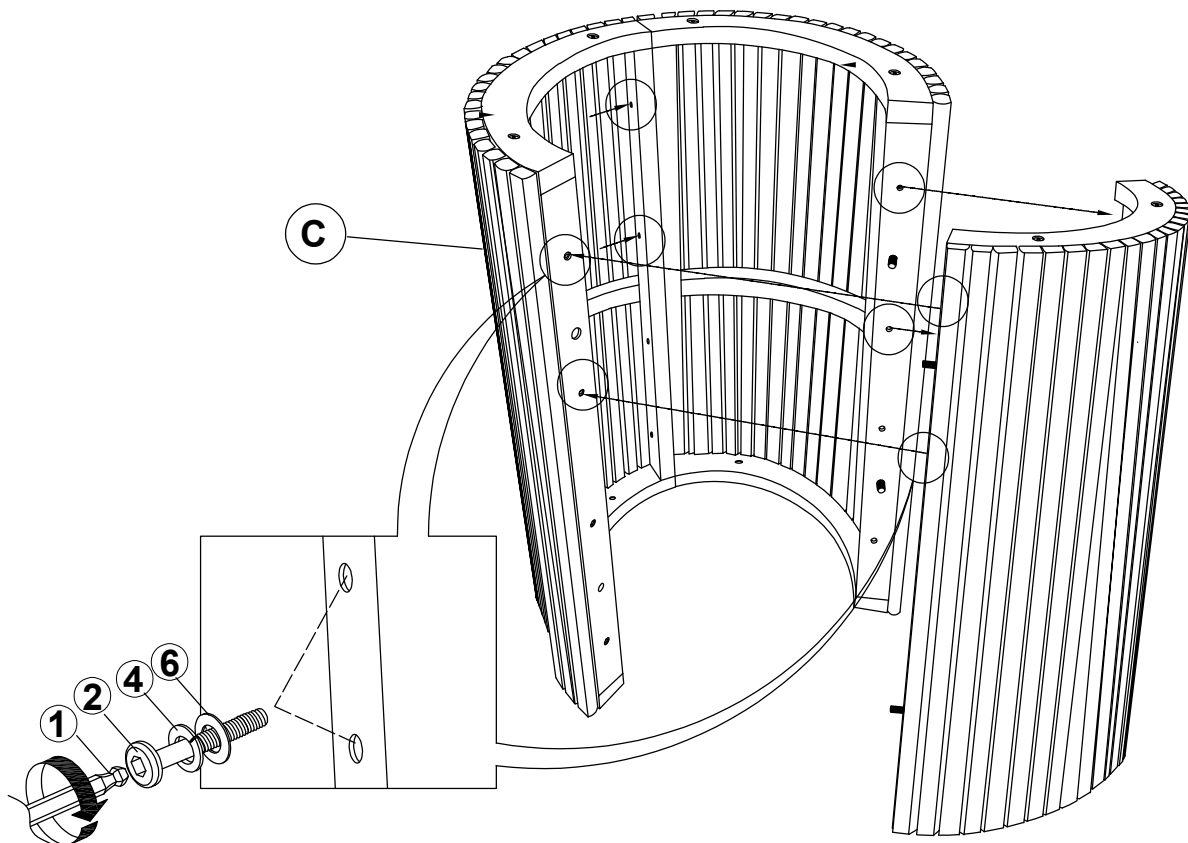


STEP 1

Unscrew all hardware Short Bolt, Lock Washer & Big Flat Washer.
Keep the hardware to be use in **STEP 5**.



STEP 2



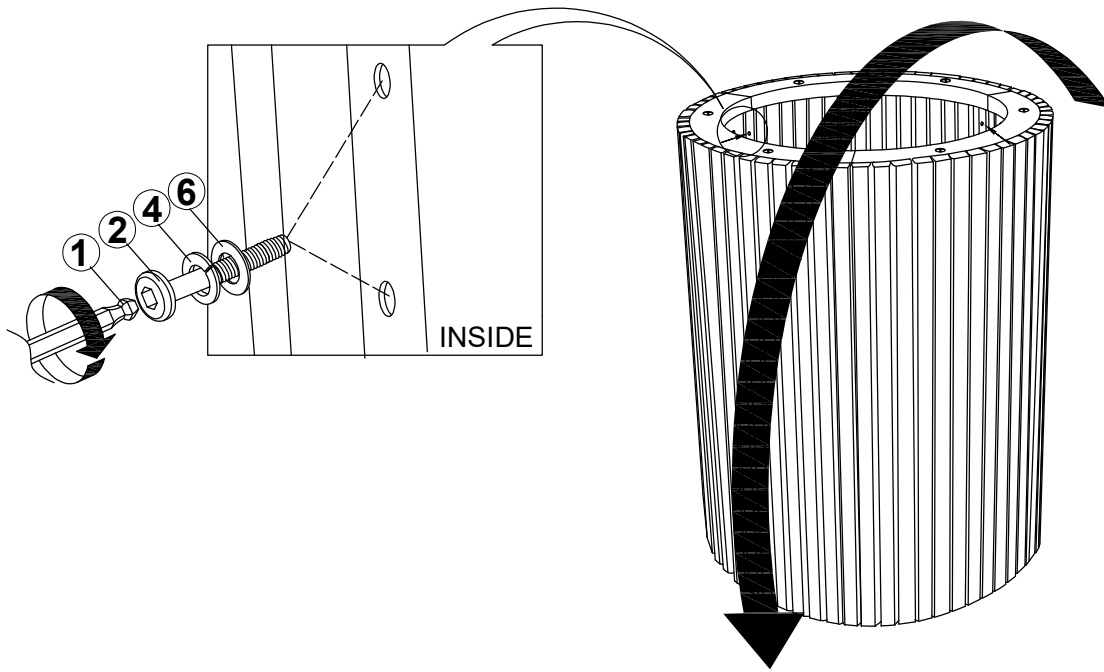
ITEM: 193930WAL

ASSEMBLY INSTRUCTIONS

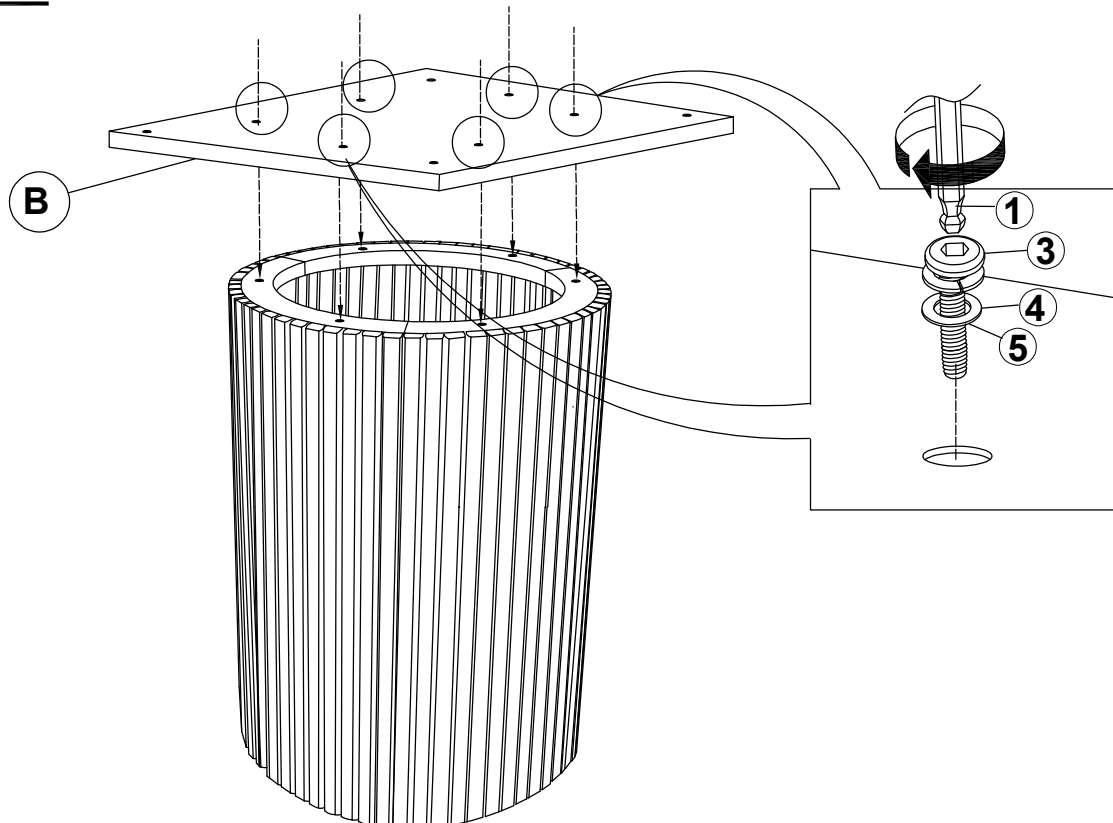


STEP 3

Attention! Carefully turn the table base assembly to the other side before proceeding with the next step.



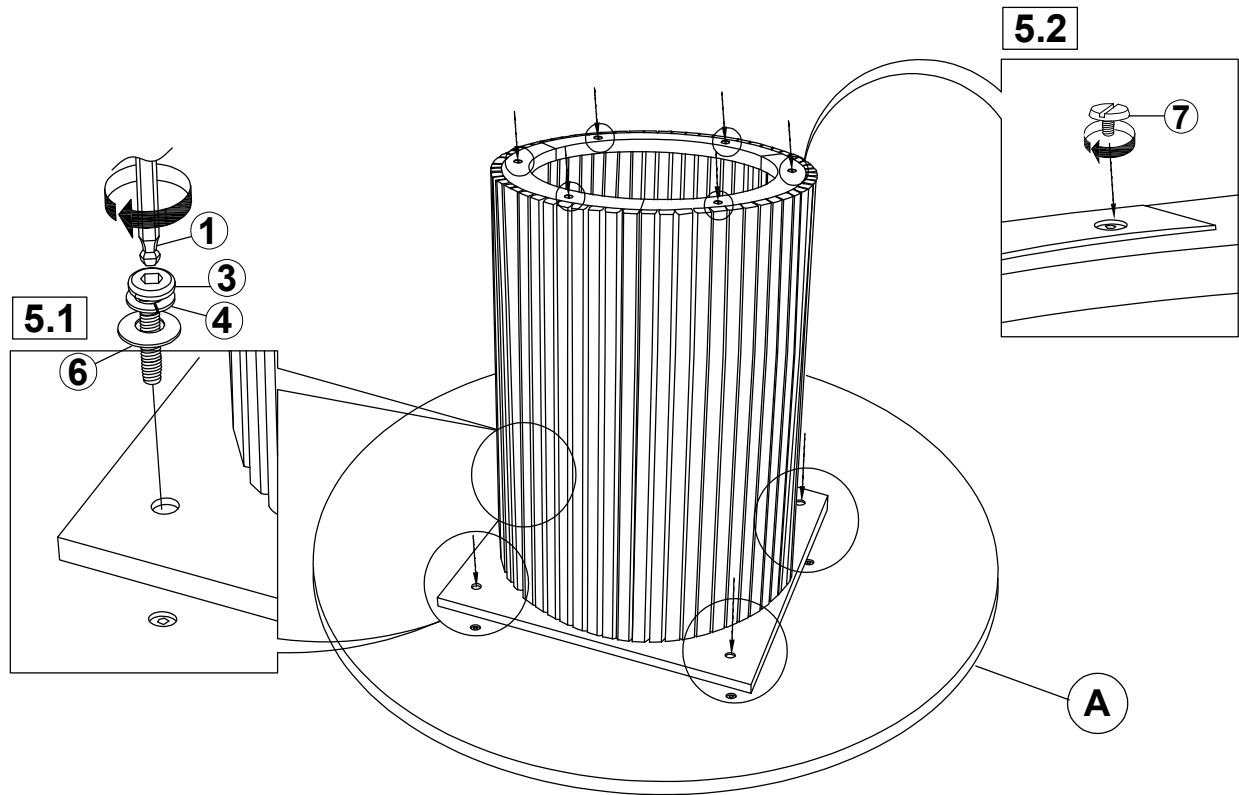
STEP 4



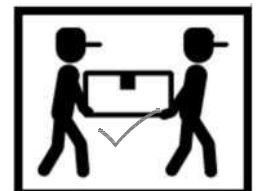
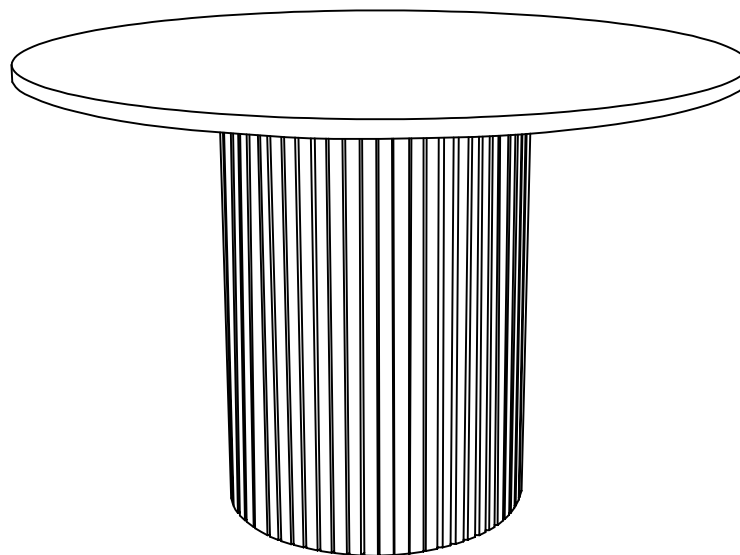
ITEM: **193930WAL**
ASSEMBLY INSTRUCTIONS



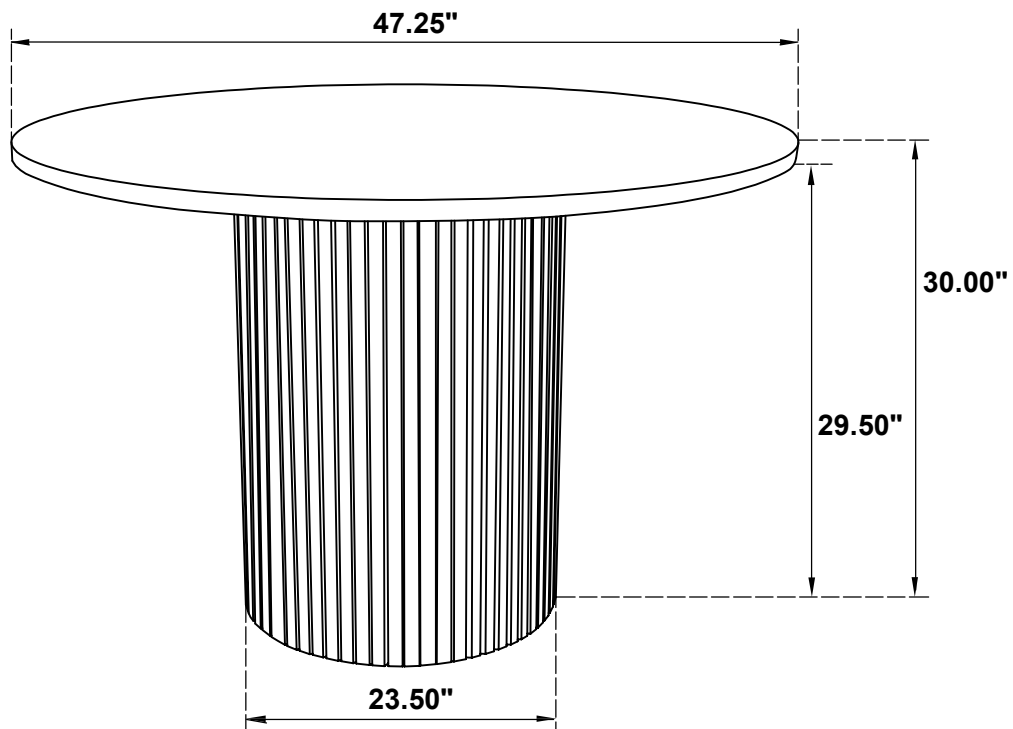
STEP 5



STEP 6
COMPLETE



ITEM: **193930WAL**



Note: Dimension tolerance $\pm 5\%$

ASSEMBLY INSTRUCTIONS
COASTER FINE FURNITURE



Fine Furniture for every stage of life

193942WAL
Side Chair

ITEM: 193942WAL

ASSEMBLY INSTRUCTIONS



ASSEMBLY TIPS:

1. Remove hardware from box and sort by size.
2. Please check to see that all hardware and parts are present prior to start of assembly.
3. Please follow attached instructions in the same sequence as numbered to assure fast & easy assembly.



WARNING!

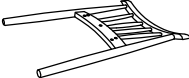
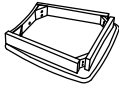


1. Don't attempt to repair or modify parts that are broken or defective. Please contact the store immediately.
2. This product is for home use only and not intended for commercial establishments.





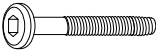
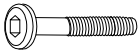


ASSEMBLY TIME

15 MINUTES

PARTS IDENTIFICATION

| | | | |
|---|---|--|-----|
| A | BACK FRAME |  | 1PC |
| B | SEAT CUSHION WITH FRAME |  | 1PC |
| C | LEFT FRONT LEG (WITH "C" LABEL) |  | 1PC |
| D | RIGHT FRONT LEG (WITH "D" LABEL) |  | 1PC |

HARDWARE IDENTIFICATION

| | | | |
|---|--|--|------|
| 1 | ALLEN WRENCH (M4 x 100mm - BLK) |  | 1PC |
| 2 | LONG BOLT (M6 x 80mm - RBW) |  | 4PCS |
| 3 | MEDIUM BOLT (M6 x 60mm - RBW) |  | 4PCS |
| 4 | SHORT BOLT (M6 x 40mm - RBW) |  | 1PC |
| 5 | LOCK WASHER (1/4" - BLK) |  | 9PCS |
| 6 | FLAT WASHER (1/4" - RBW) |  | 9PCS |

NOTE :

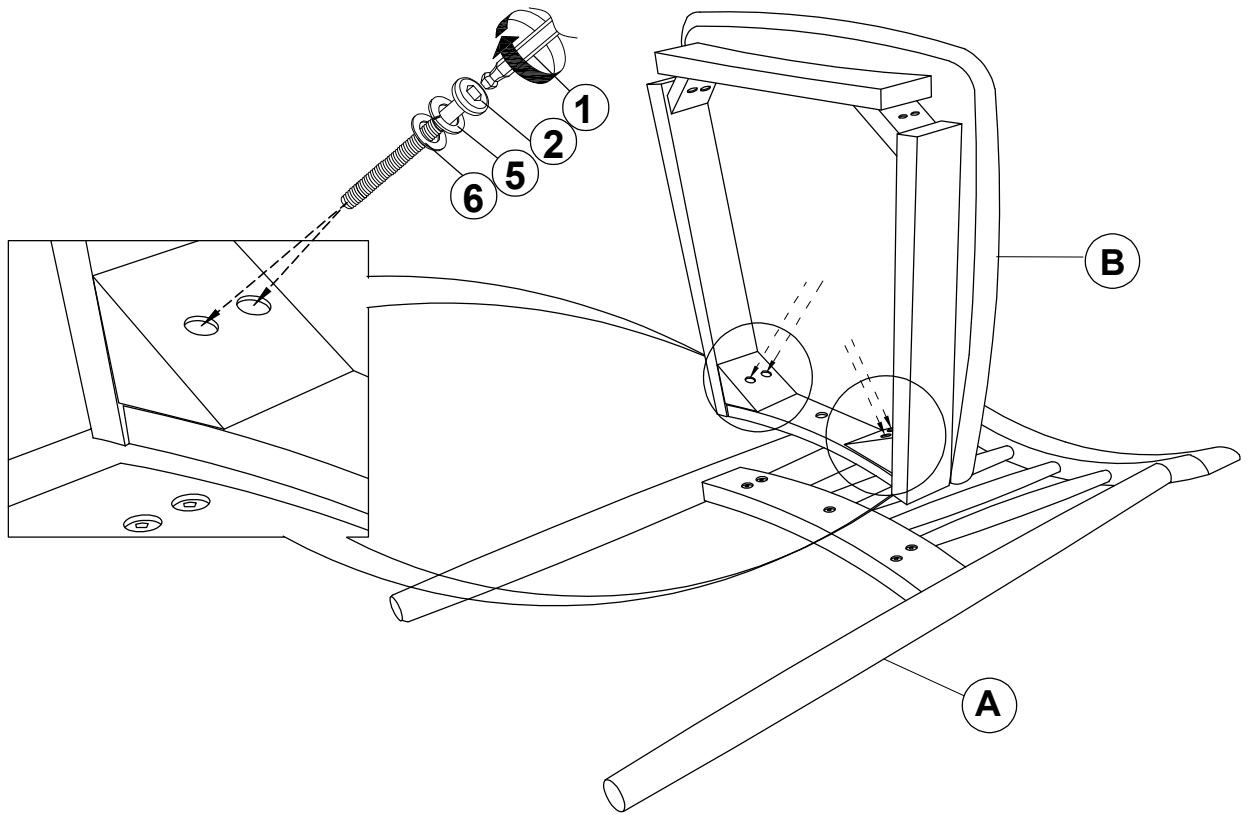
Quantities shown are for one chair.

ITEM: 193942WAL

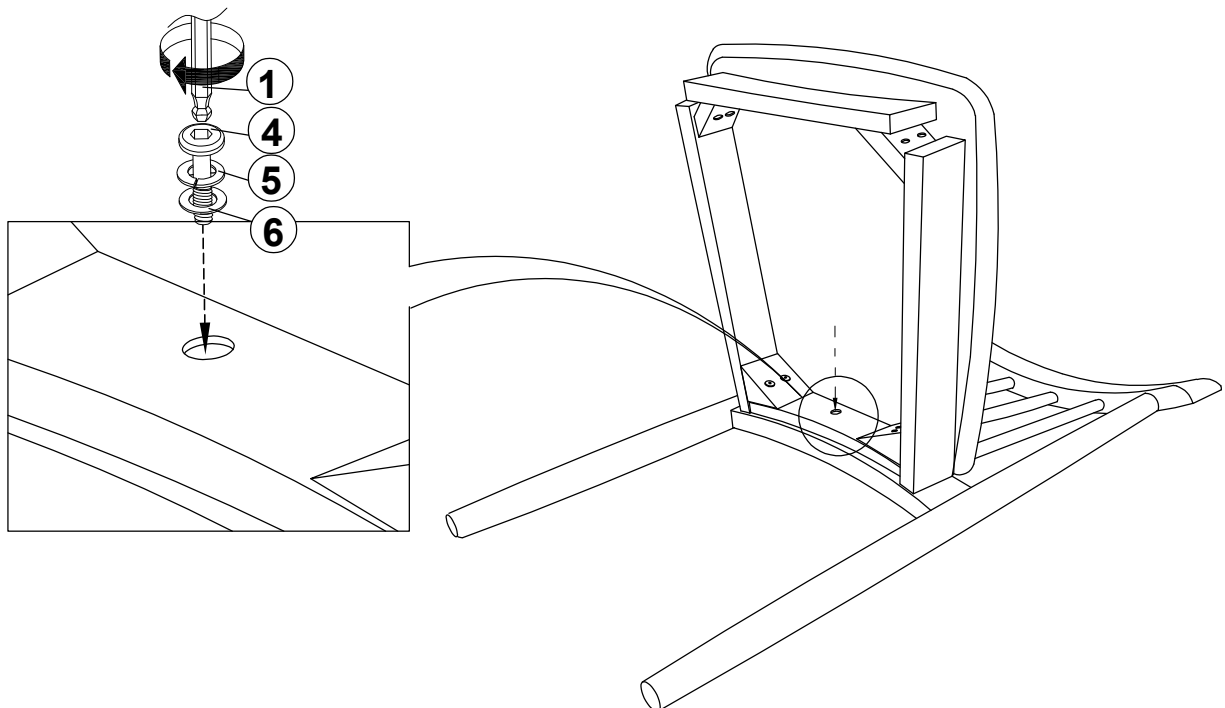
ASSEMBLY INSTRUCTIONS



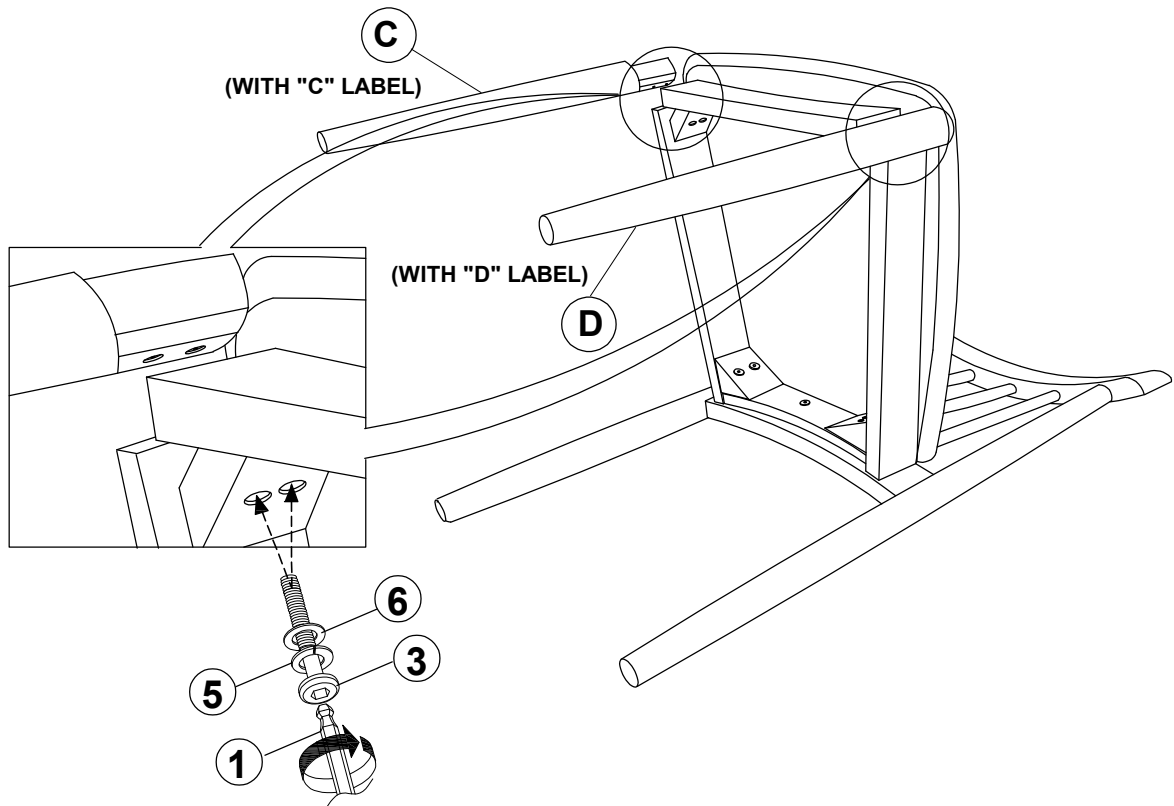
STEP 1



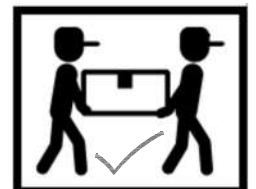
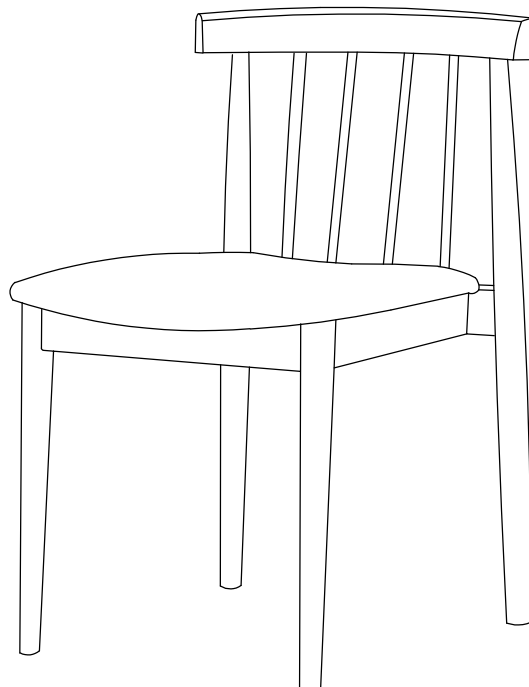
STEP 2



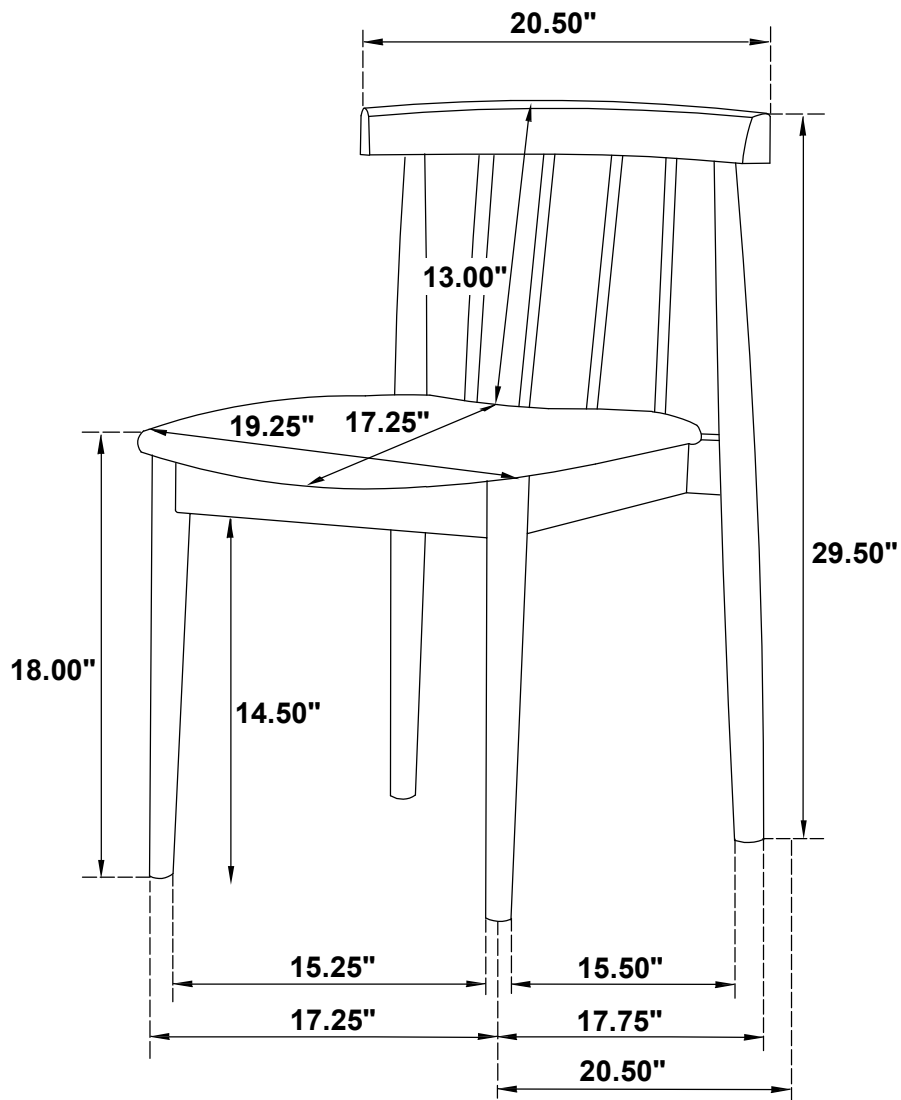
ITEM: **193942WAL**
ASSEMBLY INSTRUCTIONS
STEP 3



STEP 4
COMPLETE



ITEM: **193942WAL**



Note: Dimension tolerance $\pm 5\%$