

ASSEMBLY INSTRUCTIONS
COASTER FINE FURNITURE



Fine Furniture for every stage of life

193951BLK
Dining Table

ITEM: 193951BLK

ASSEMBLY INSTRUCTIONS



ASSEMBLY TIPS:

1. Remove hardware from box and sort by size.
2. Please check to see that all hardware and parts are present prior to start of assembly.
3. Please follow attached instructions in the same sequence as numbered to assure fast & easy assembly.



WARNING!

1. Don't attempt to repair or modify parts that are broken or defective. Please contact the store immediately.
2. This product is for home use only and not intended for commercial establishments.



ASSEMBLY TIME

20 MINUTES

PARTS IDENTIFICATION

| | | | |
|---|--------------|--|------|
| A | TOP | | 1PC |
| B | LEG | | 2PCS |
| C | MOUNTING BAR | | 2PCS |
| D | CROSSBAR | | 1PC |

HARDWARE IDENTIFICATION

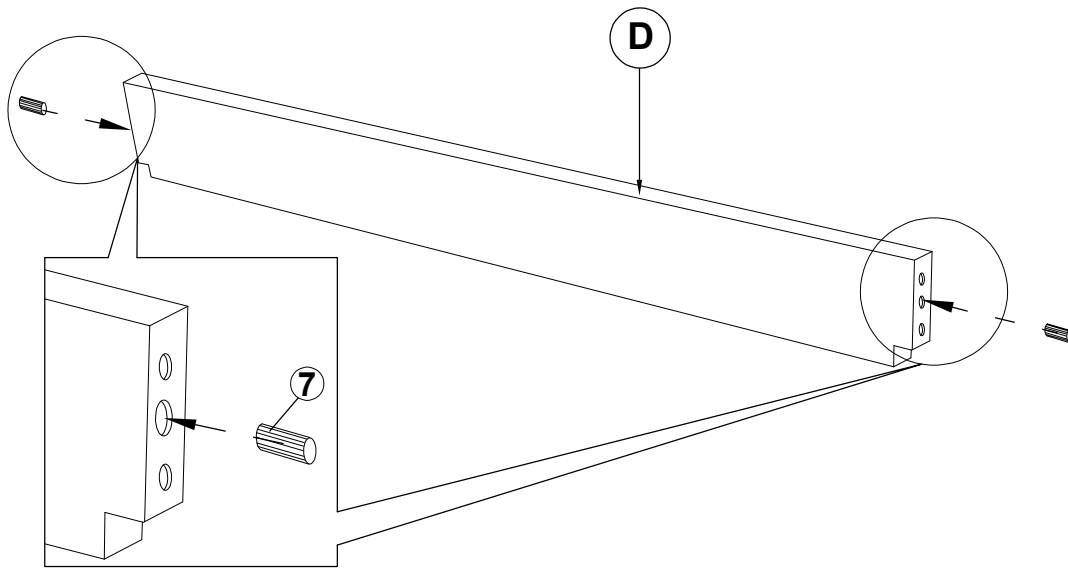
| | | | |
|---|--|--|-------|
| 1 | ALLEN WRENCH (M4 x 63MM - BLK) | | 1PC |
| 2 | LONG HEX HEAD SCREW (M7 x 50MM - RBW) | | 4PCS |
| 3 | SHORT HEX HEAD SCREW (M7 x 35MM - RBW) | | 8PCS |
| 4 | BOLT (M6 x 30MM - RBW) | | 10PCS |
| 5 | LOCK WASHER (1/4" - BLK) | | 10PCS |
| 6 | FLAT WASHER (M6 x 13MM - RBW) | | 10PCS |
| 7 | WOOD DOWEL (M10 x 30MM) | | 2PCS |
| 8 | WOOD PLUG (Ø14.5 x 9MM) | | 4PCS |
| 9 | LEVELER (M6 x 14.8MM) | | 4PCS |

ITEM: 193951BLK

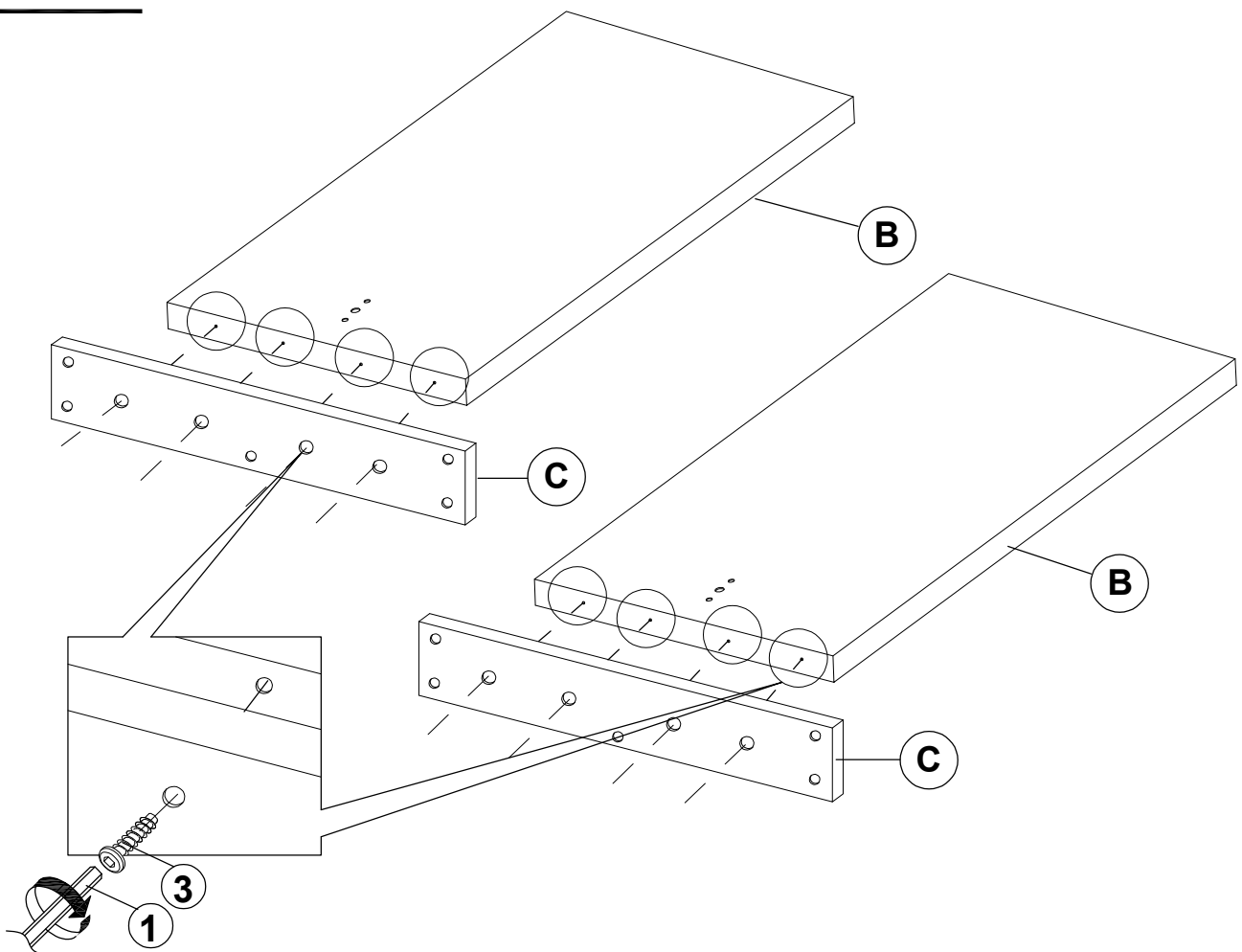
ASSEMBLY INSTRUCTIONS



STEP 1



STEP 2

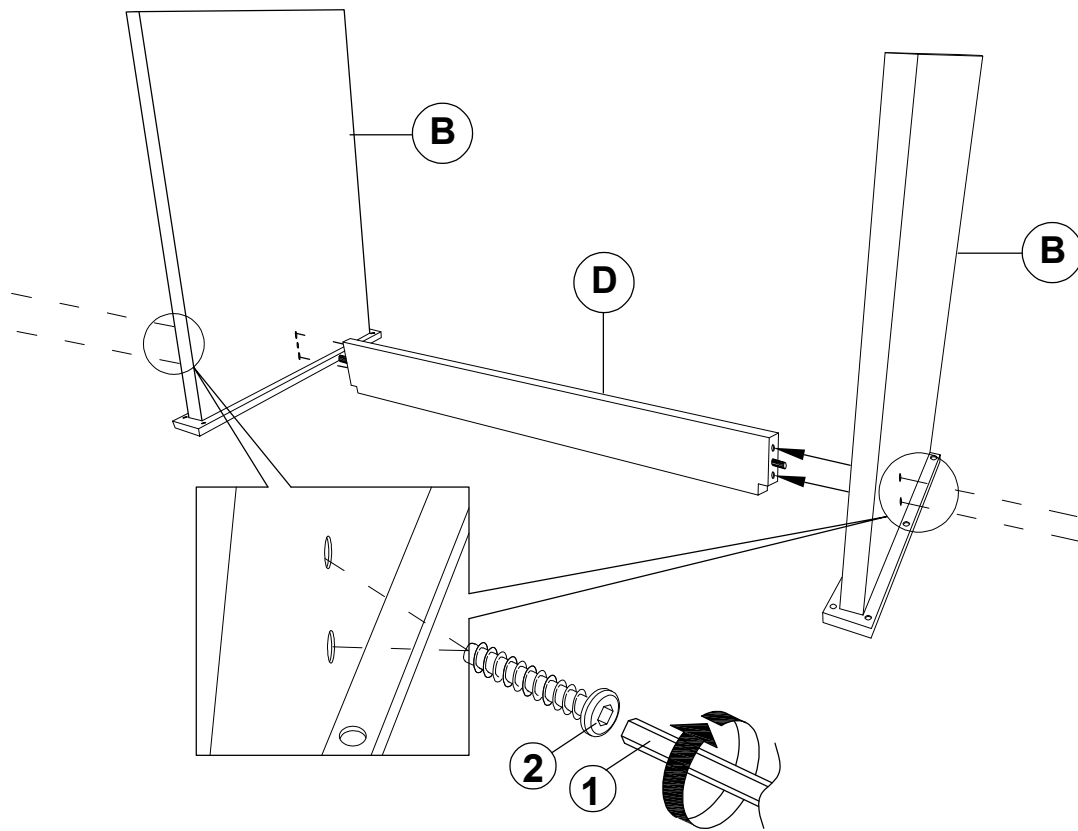


ITEM: 193951BLK

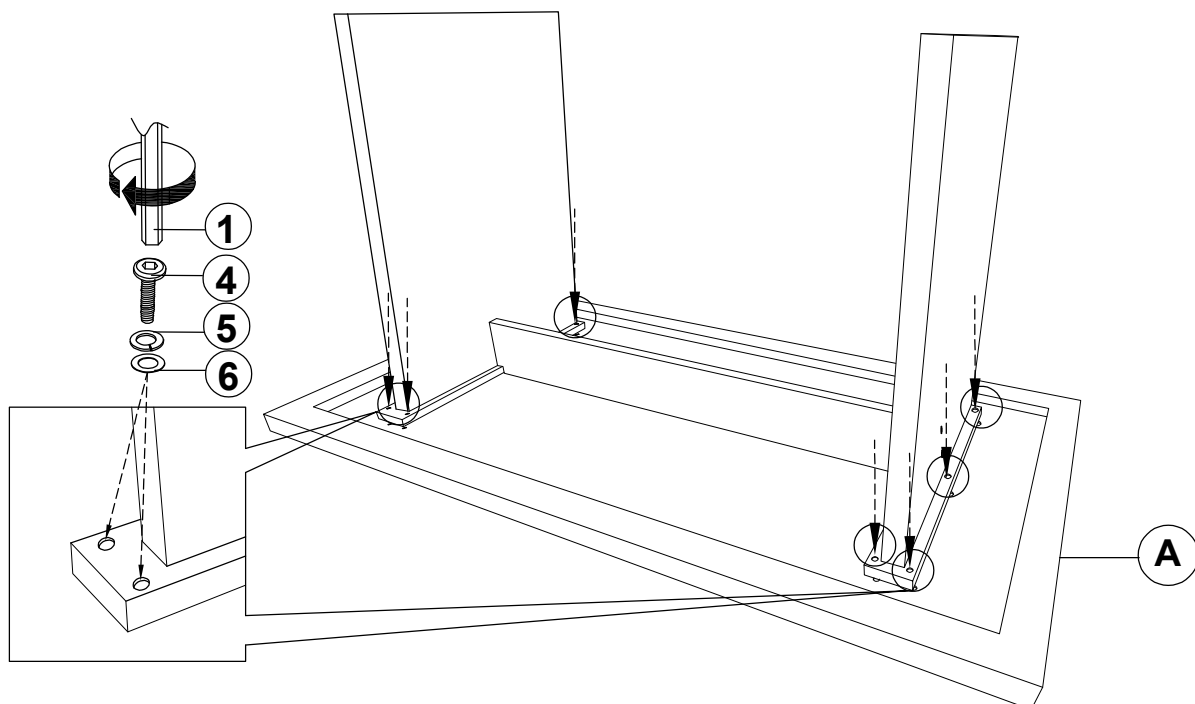
ASSEMBLY INSTRUCTIONS



STEP 3



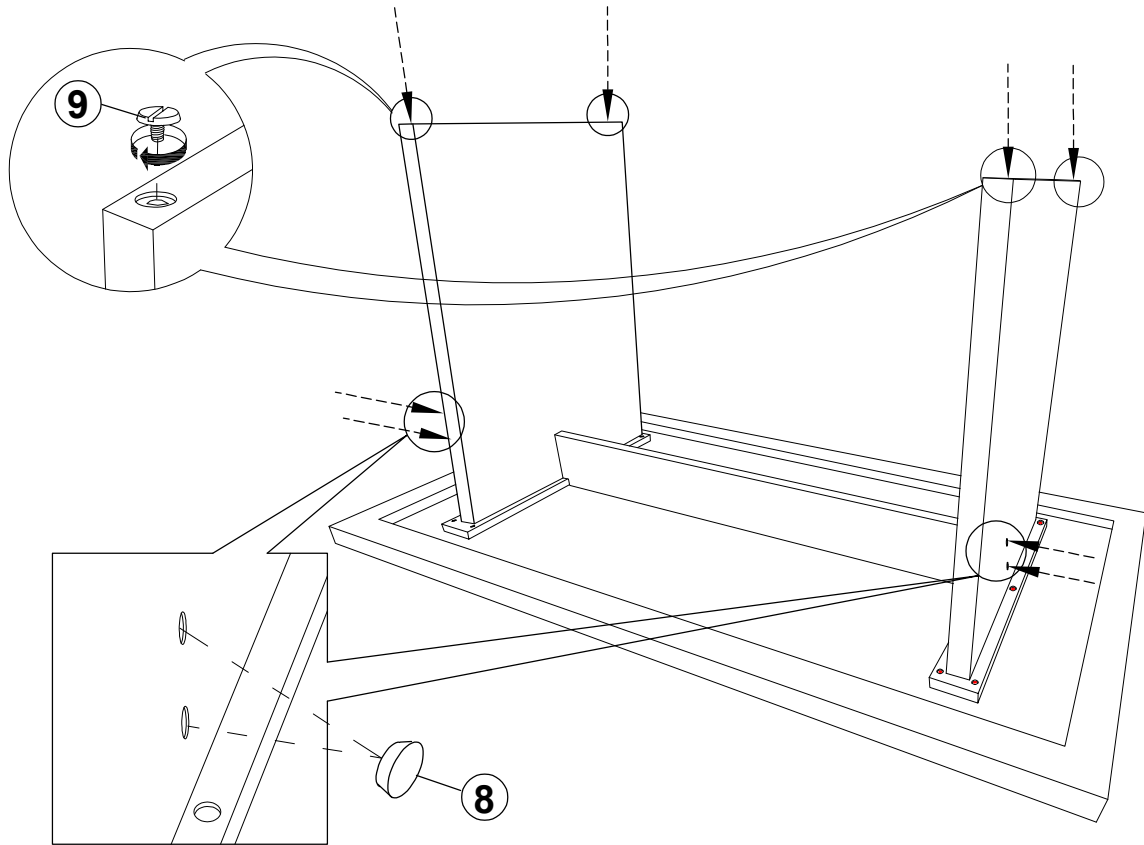
STEP 4



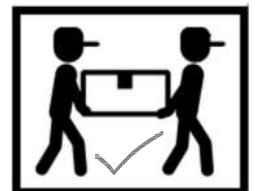
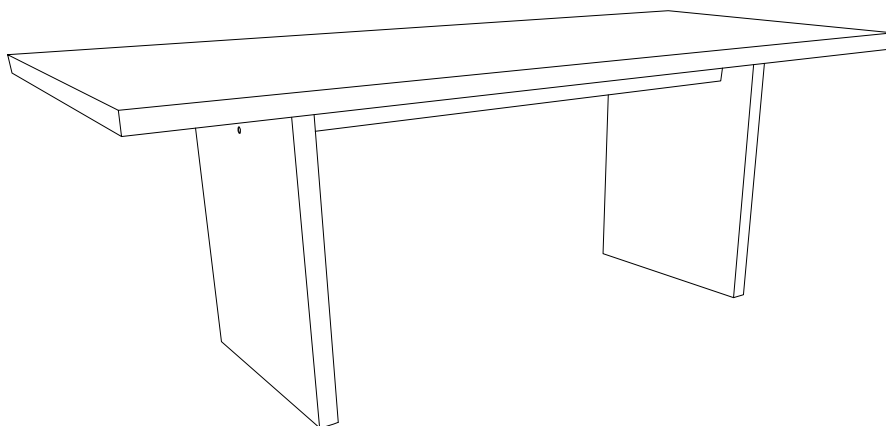
ITEM: **193951BLK**
ASSEMBLY INSTRUCTIONS



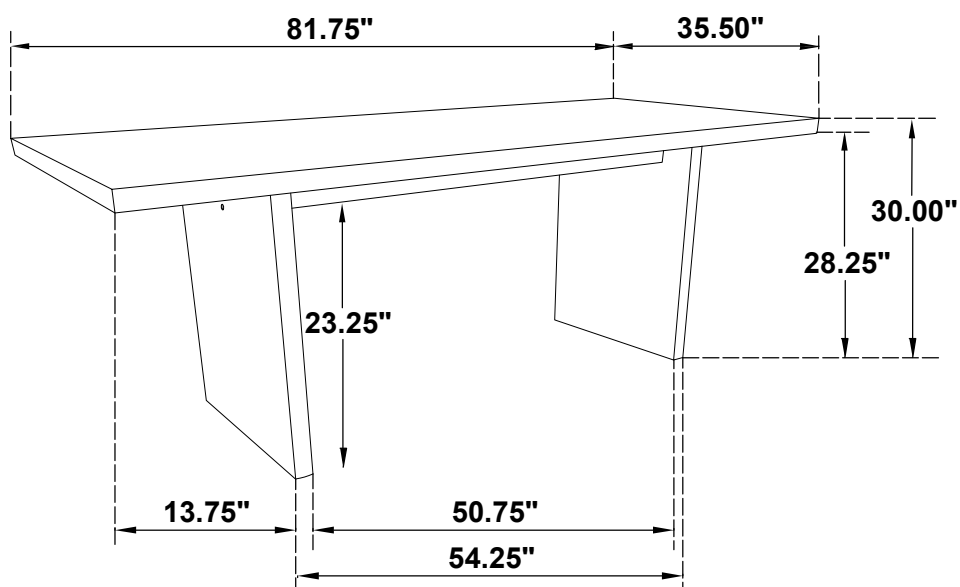
STEP 5



STEP 6
COMPLETE



ITEM: **193951BLK**



Note: Dimension tolerance $\pm 5\%$



ASSEMBLY INSTRUCTIONS

COASTER FINE FURNITURE



Fine Furniture for every stage of life

193962BLK
Side Chair

ITEM : 193962BLK

ASSEMBLY INSTRUCTIONS



ASSEMBLY TIPS:

1. Remove hardware from box and sort by size.
2. Please check to see that all hardware and parts are present prior to start of assembly.
3. Please follow attached instructions in the same sequence as numbered to assure fast & easy assembly.



WARNING!

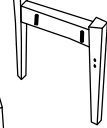
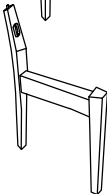




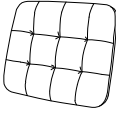

1. Don't attempt to repair or modify parts that are broken or defective. Please contact the store immediately.
2. This product is for home use only and not intended for commercial establishments.



ASSEMBLY TIME

20 MINUTES

PARTS IDENTIFICATION

| | | | |
|---|-------------------------|--|-----|
| A | RIGHT LEG FRAME |  | 1PC |
| B | LEFT LEG FRAME |  | 1PC |
| C | FRONT RAIL (LONG) |  | 1PC |
| D | BACK RAIL (SHORT) |  | 1PC |
| E | FRONT LOWER RAIL (LONG) |  | 1PC |
| F | BACKREST |  | 1PC |
| G | BACK CUSHION (SMALL) |  | 1PC |
| H | SEAT CUSHION (BIG) |  | 1PC |

NOTE :

Quantities shown are for one chair.

ITEM : 193962BLK

ASSEMBLY INSTRUCTIONS



ASSEMBLY TIPS:


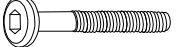

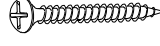




1. Remove hardware from box and sort by size.
2. Please check to see that all hardware and parts are present prior to start of assembly.
3. Please follow attached instructions in the same sequence as numbered to assure fast & easy assembly.



WARNING!

1. Don't attempt to repair or modify parts that are broken or defective. Please contact the store immediately.
2. This product is for home use only and not intended for commercial establishments.

HARDWARE IDENTIFICATION

| | | | |
|---|---|--|------|
| 1 | ALLEN WRENCH (M4 x 100mm - BLK) |  | 1PC |
| 2 | BOLT (M6 x 40mm - RBW) |  | 4PCS |
| 3 | LOCK WASHER (1/4" - BLK) |  | 4PCS |
| 4 | LONG PAN HEAD SCREW (#8 x 1 1/2" - BLK) |  | 2PCS |
| 5 | MEDIUM PAN HEAD SCREW (#8 x 1 1/4" - BLK) |  | 4PCS |
| 6 | SHORT PAN HEAD SCREW (#8 x 1" - BLK) |  | 4PCS |
| 7 | CAM BOLT (263.20.847 - ZB) |  | 2PCS |
| 8 | WOOD DOWEL (M8 x 30mm) |  | 1PC |

NOTE :

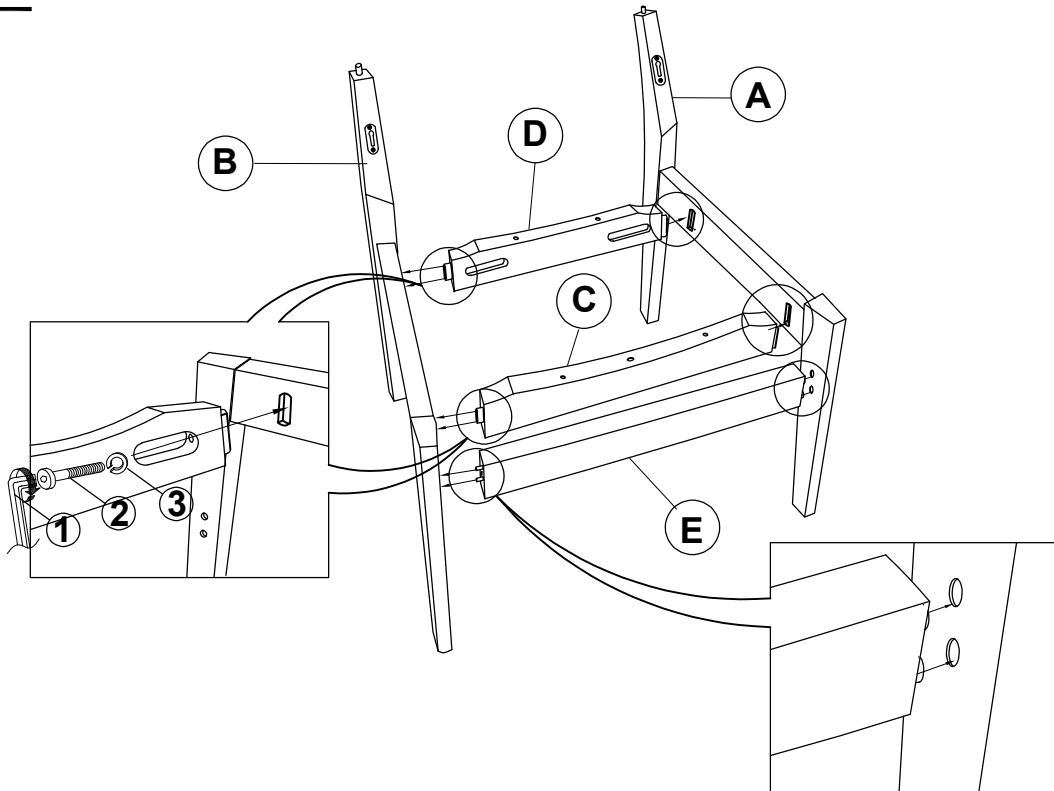
Phillips head screw driver is required in the assembly process ; However, manufacturer does not provide this item.
Quantities shown are for one chair.

ITEM: **193962BLK**

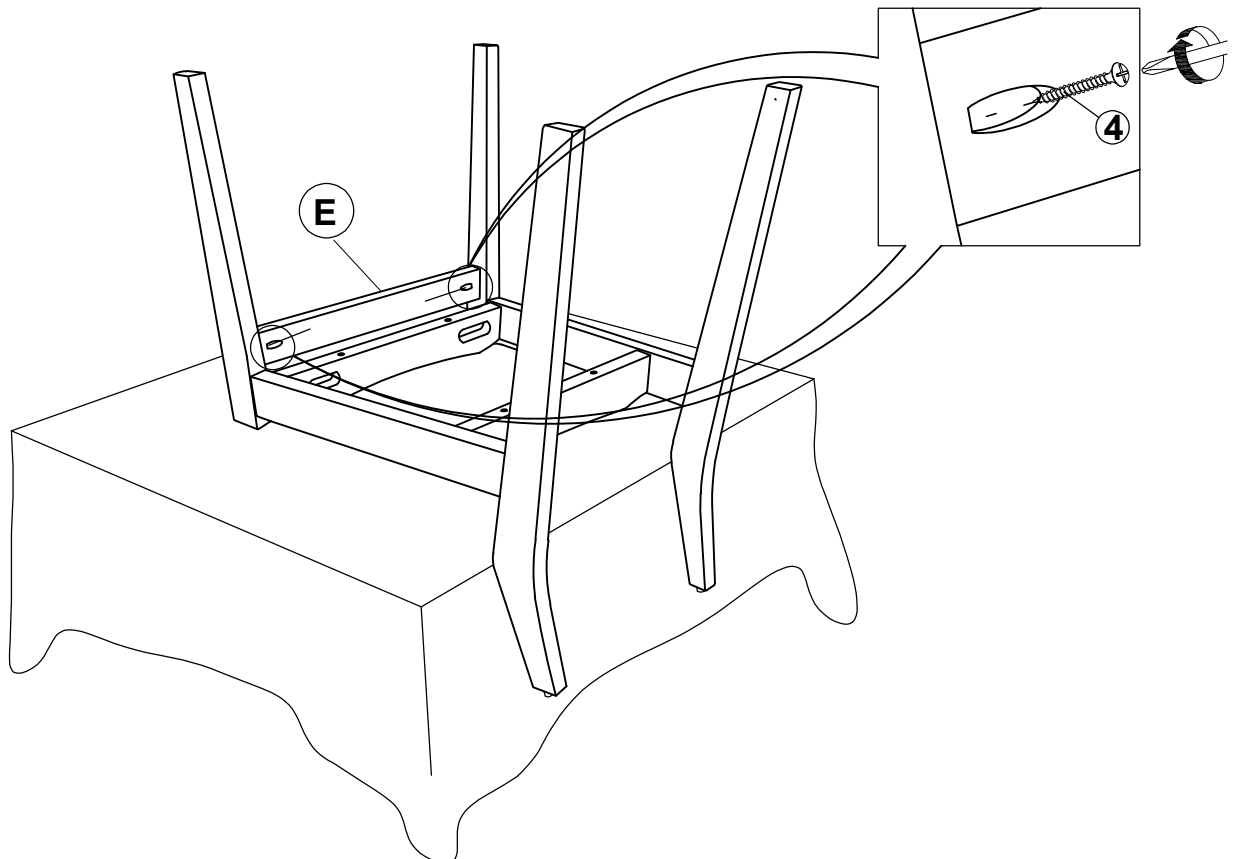


ASSEMBLY INSTRUCTIONS

STEP 1



STEP 2

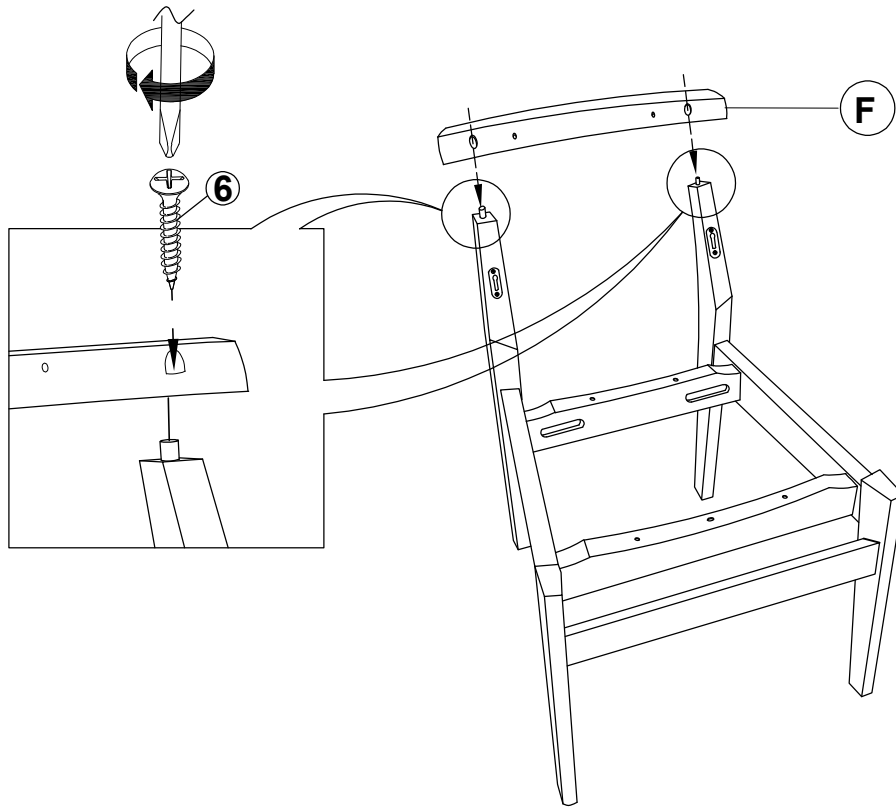


ITEM: **193962BLK**

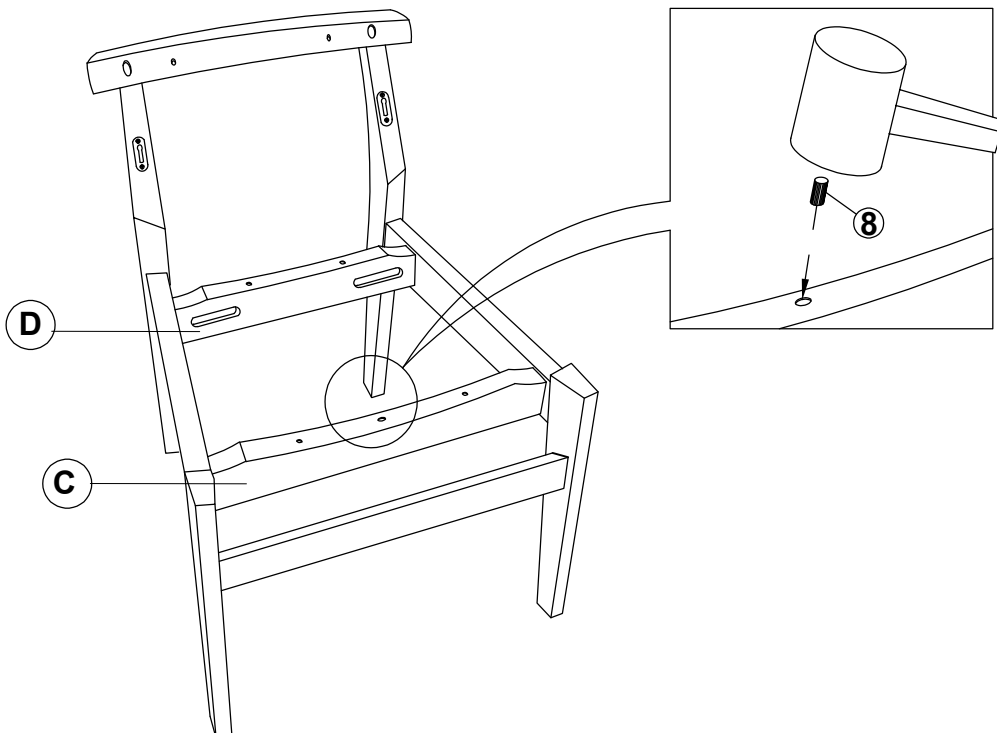


ASSEMBLY INSTRUCTIONS

STEP 3



STEP 4

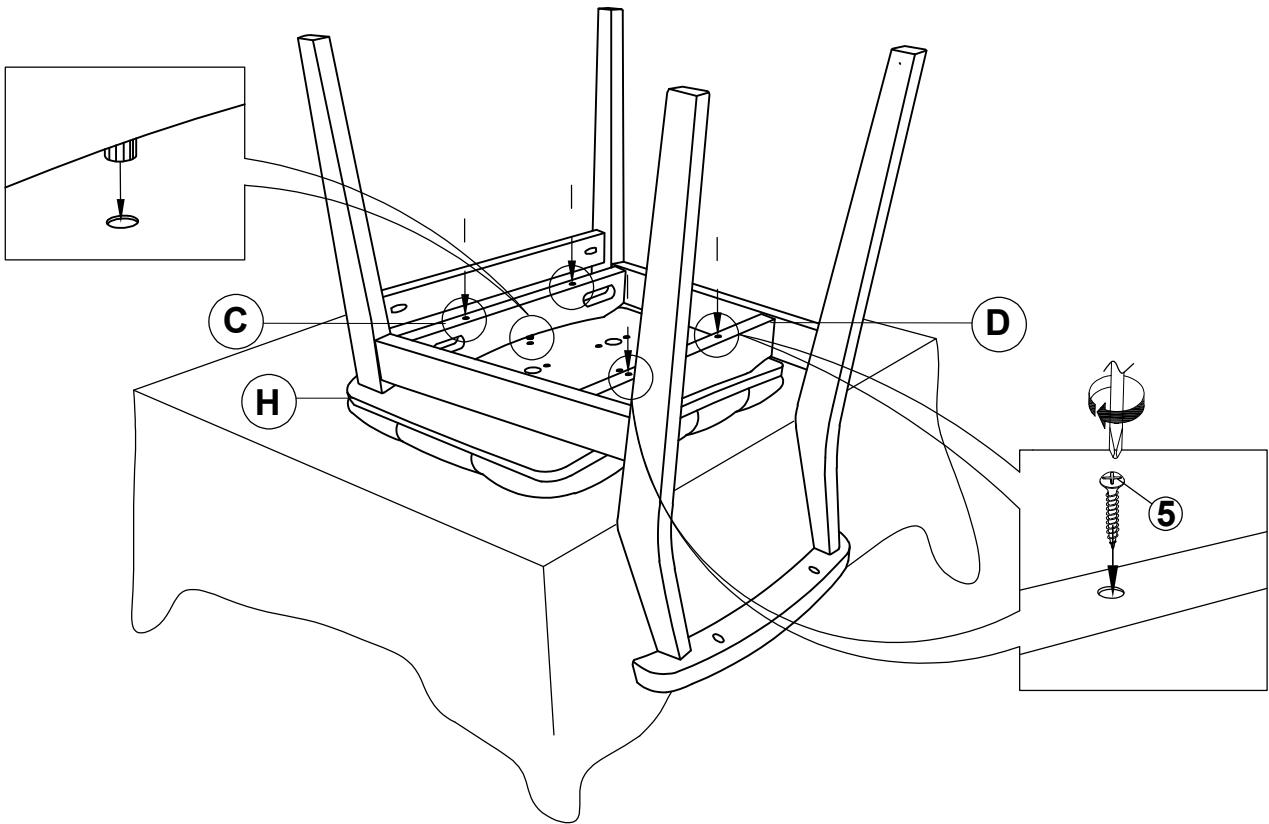


ITEM: **193962BLK**

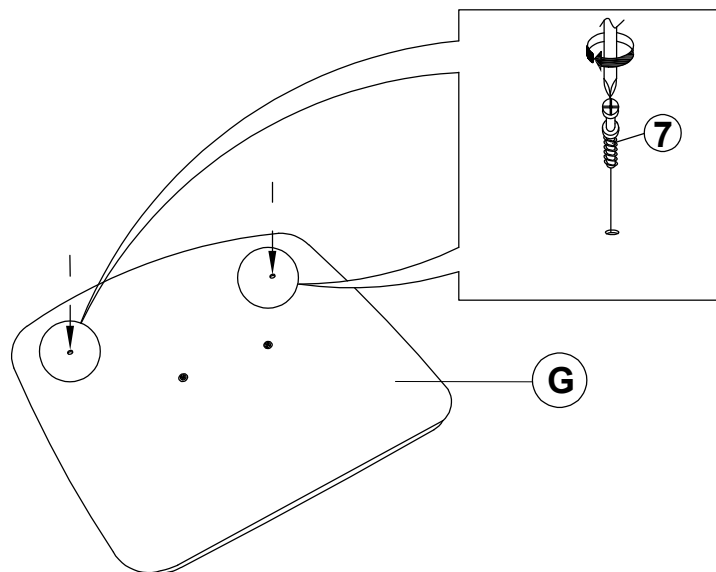


ASSEMBLY INSTRUCTIONS

STEP 5



STEP 6

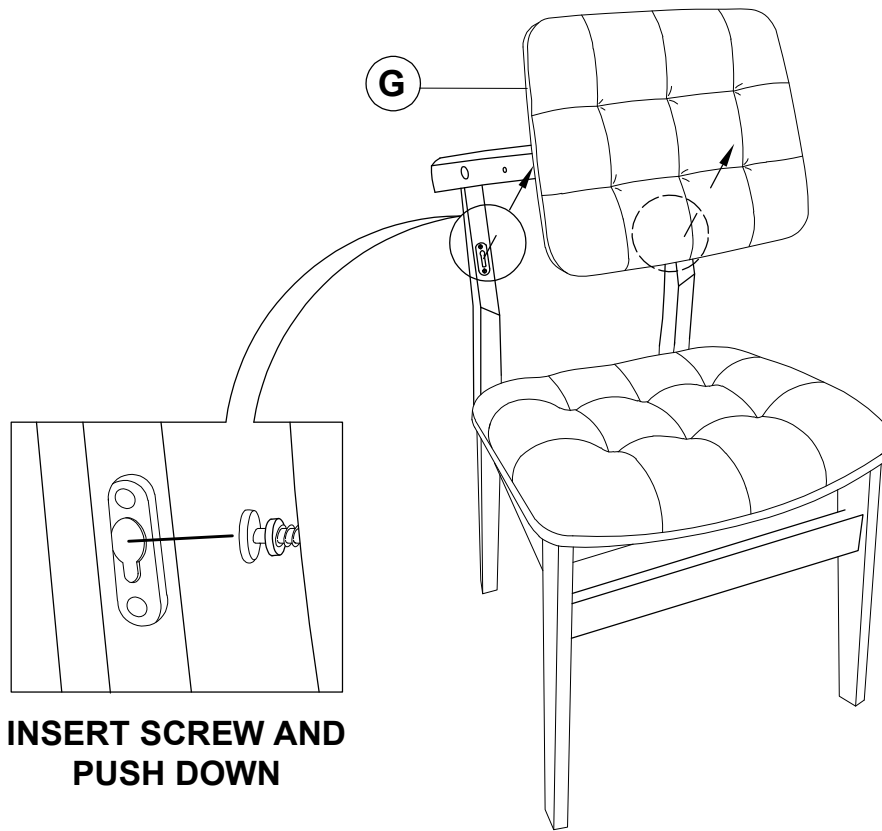


ITEM: **193962BLK**



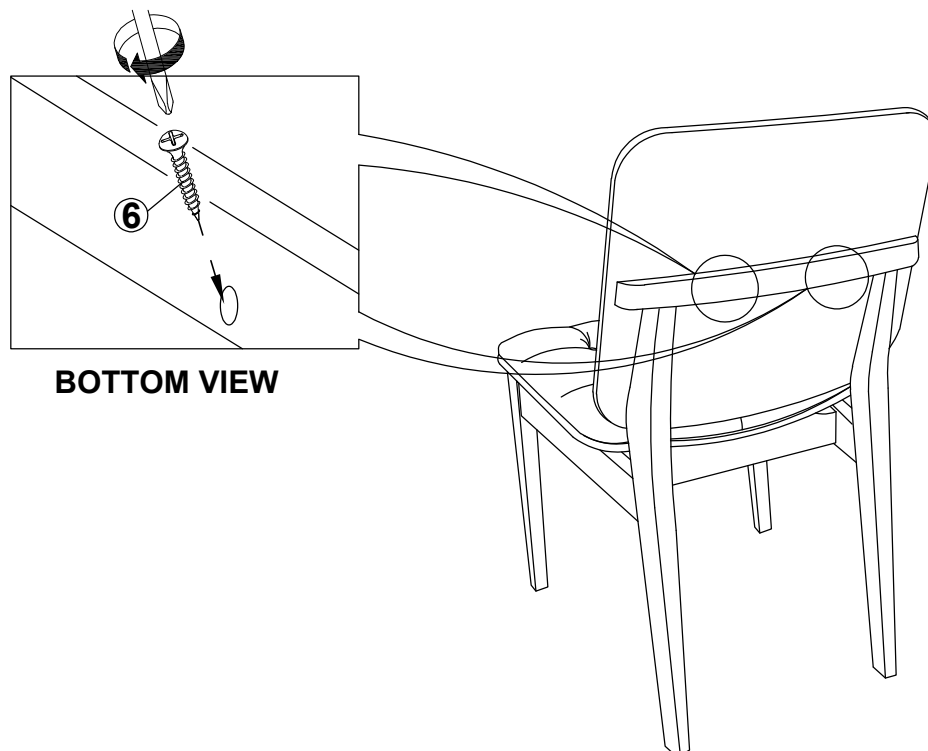
ASSEMBLY INSTRUCTIONS

STEP 7



**INSERT SCREW AND
PUSH DOWN**

STEP 8



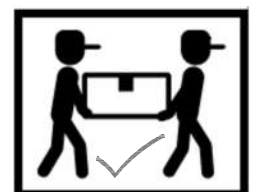
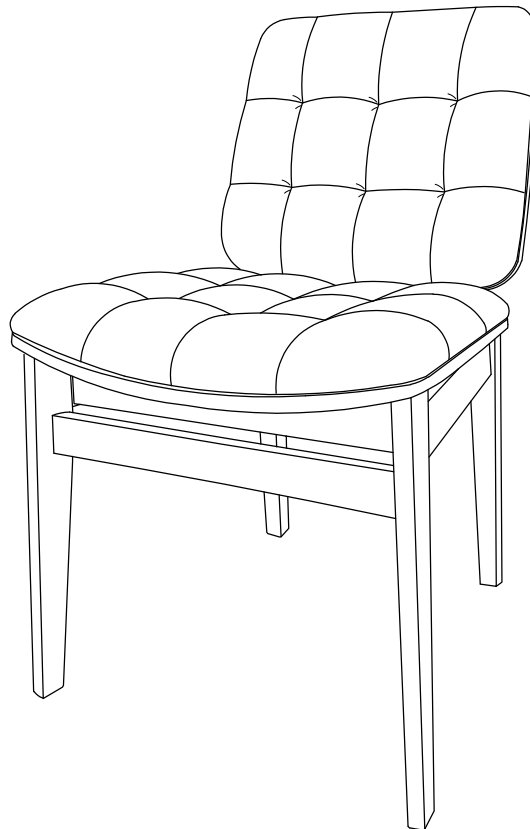
BOTTOM VIEW

ITEM: **193962BLK**

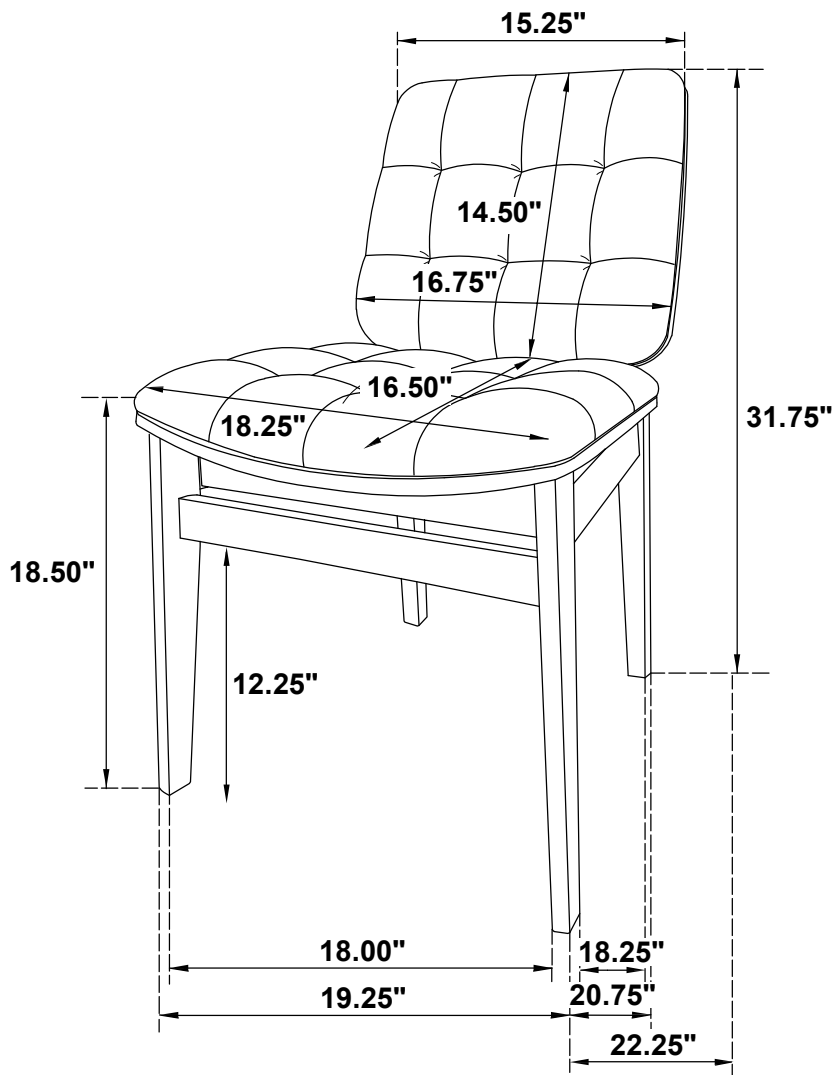
ASSEMBLY INSTRUCTIONS

STEP 9

COMPLETE



ITEM: **193962BLK**



Note: Dimension tolerance $\pm 5\%$