

*ASSEMBLY INSTRUCTIONS*  
*COASTER FINE FURNITURE*



*Fine Furniture for every stage of life*

**193951NAT**  
**Dining Table**

# ITEM: 193951NAT

## ASSEMBLY INSTRUCTIONS



### ASSEMBLY TIPS:

1. Remove hardware from box and sort by size.
2. Please check to see that all hardware and parts are present prior to start of assembly.
3. Please follow attached instructions in the same sequence as numbered to assure fast & easy assembly.



### WARNING!

1. Don't attempt to repair or modify parts that are broken or defective. Please contact the store immediately.
2. This product is for home use only and not intended for commercial establishments.



ASSEMBLY TIME

20 MINUTES

## PARTS IDENTIFICATION

A	TOP		1PC
B	LEG		2PCS
C	MOUNTING BAR		2PCS
D	CROSSBAR		1PC

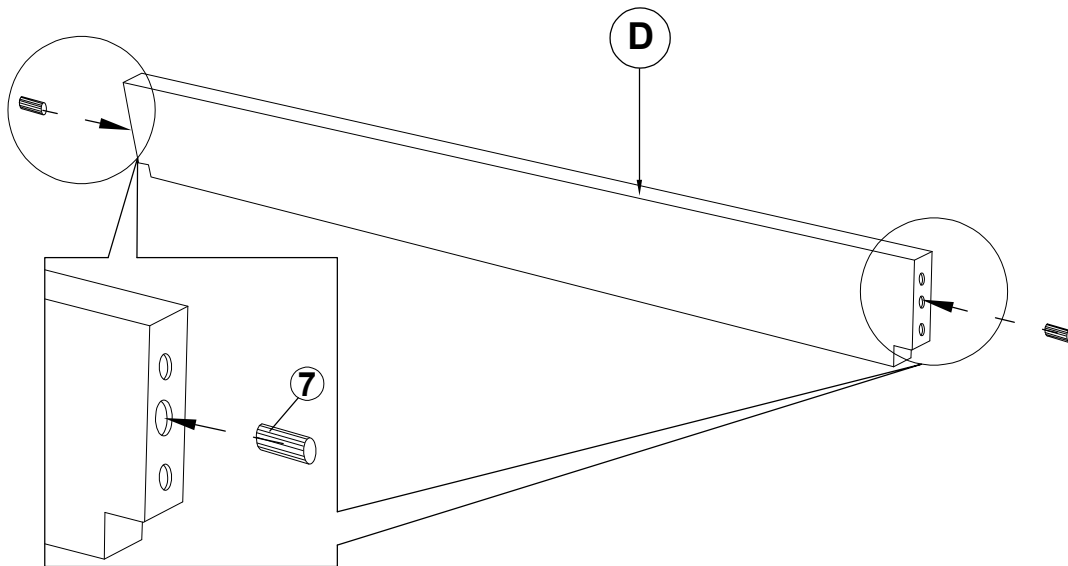
## HARDWARE IDENTIFICATION

1	<b>ALLEN WRENCH</b> (M4 x 63MM - BLK)		1PC
2	<b>LONG HEX HEAD SCREW</b> (M7 x 50MM - RBW)		4PCS
3	<b>SHORT HEX HEAD SCREW</b> (M7 x 35MM - RBW)		8PCS
4	<b>BOLT</b> (M6 x 30MM - RBW)		10PCS
5	<b>LOCK WASHER</b> (1/4" - BLK)		10PCS
6	<b>FLAT WASHER</b> (M6 x 13MM - RBW)		10PCS
7	<b>WOOD DOWEL</b> (M10 x 30MM)		2PCS
8	<b>WOOD PLUG</b> (Ø14.5 x 9MM)		4PCS
9	<b>LEVELER</b> (M6 x 14.8MM)		4PCS

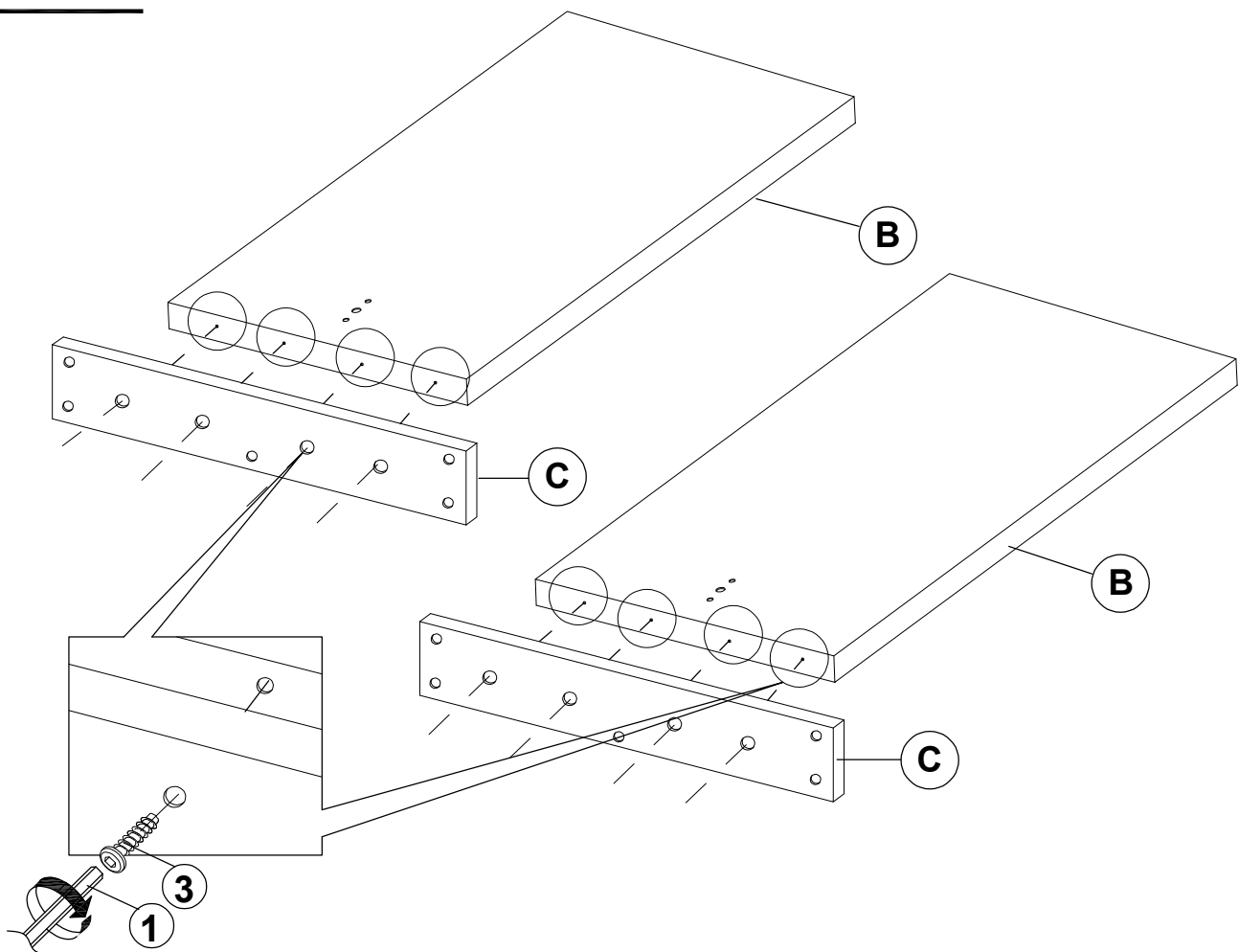
# ITEM: 193951NAT

## ASSEMBLY INSTRUCTIONS

### STEP 1



### STEP 2

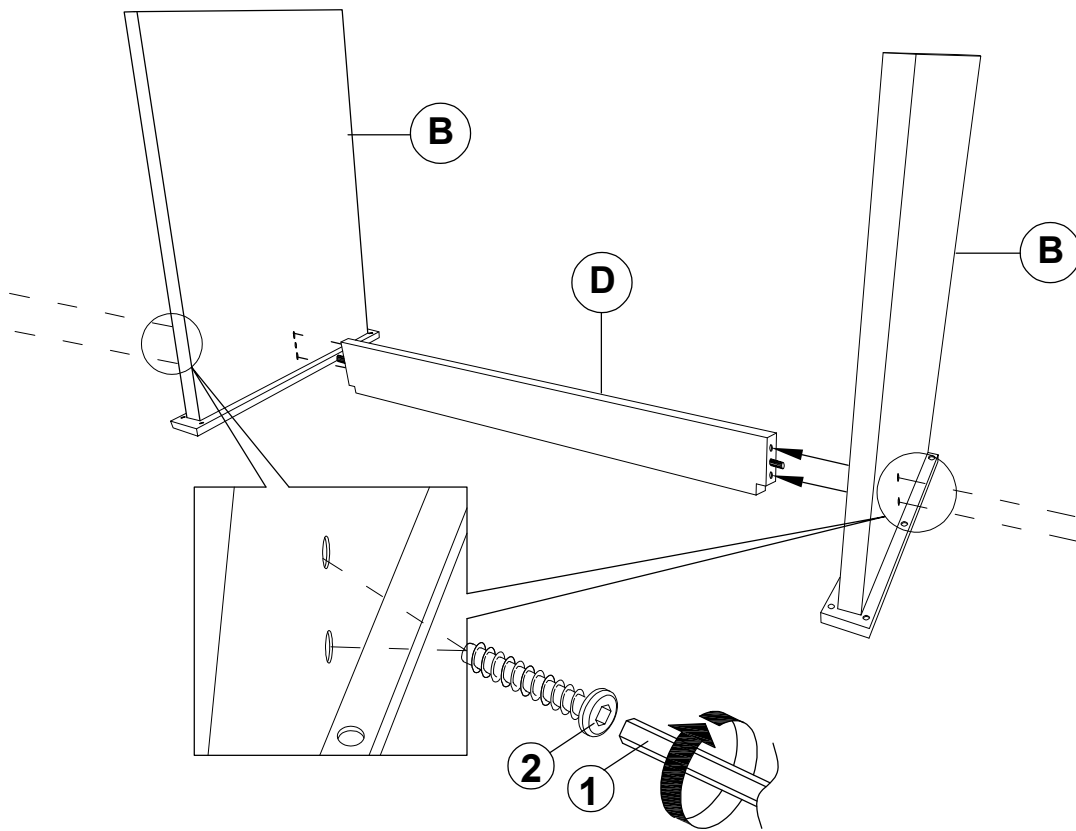


# ITEM: 193951NAT

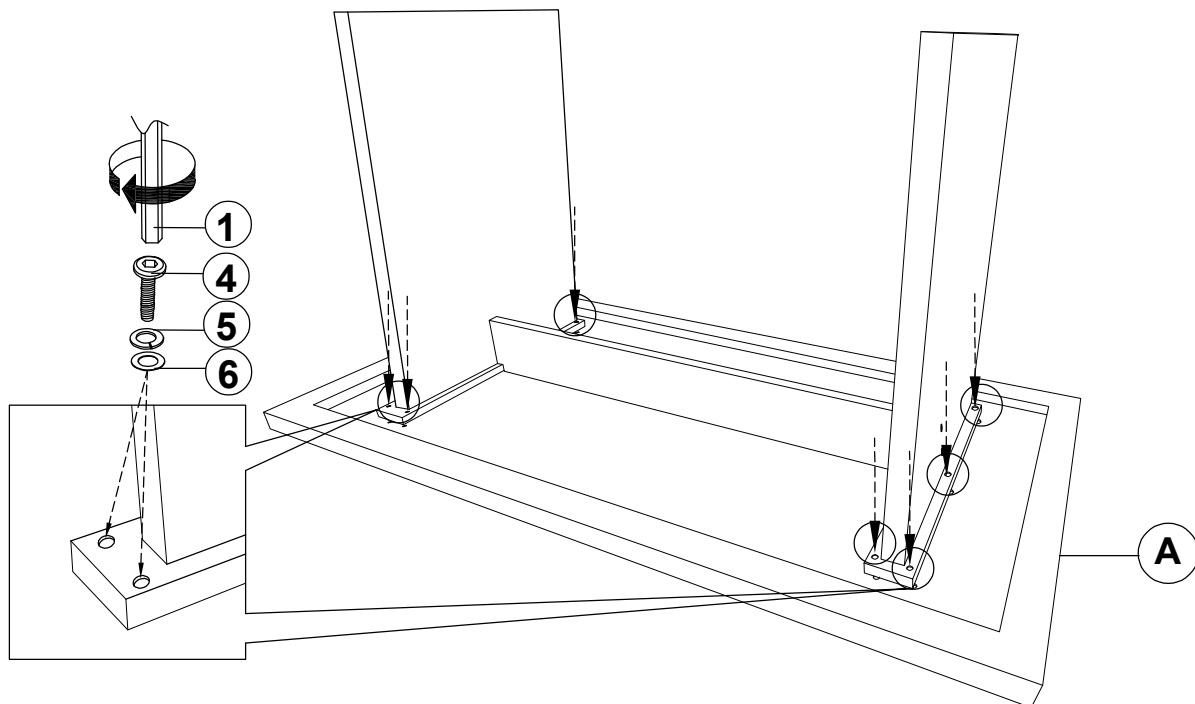
## ASSEMBLY INSTRUCTIONS



### STEP 3



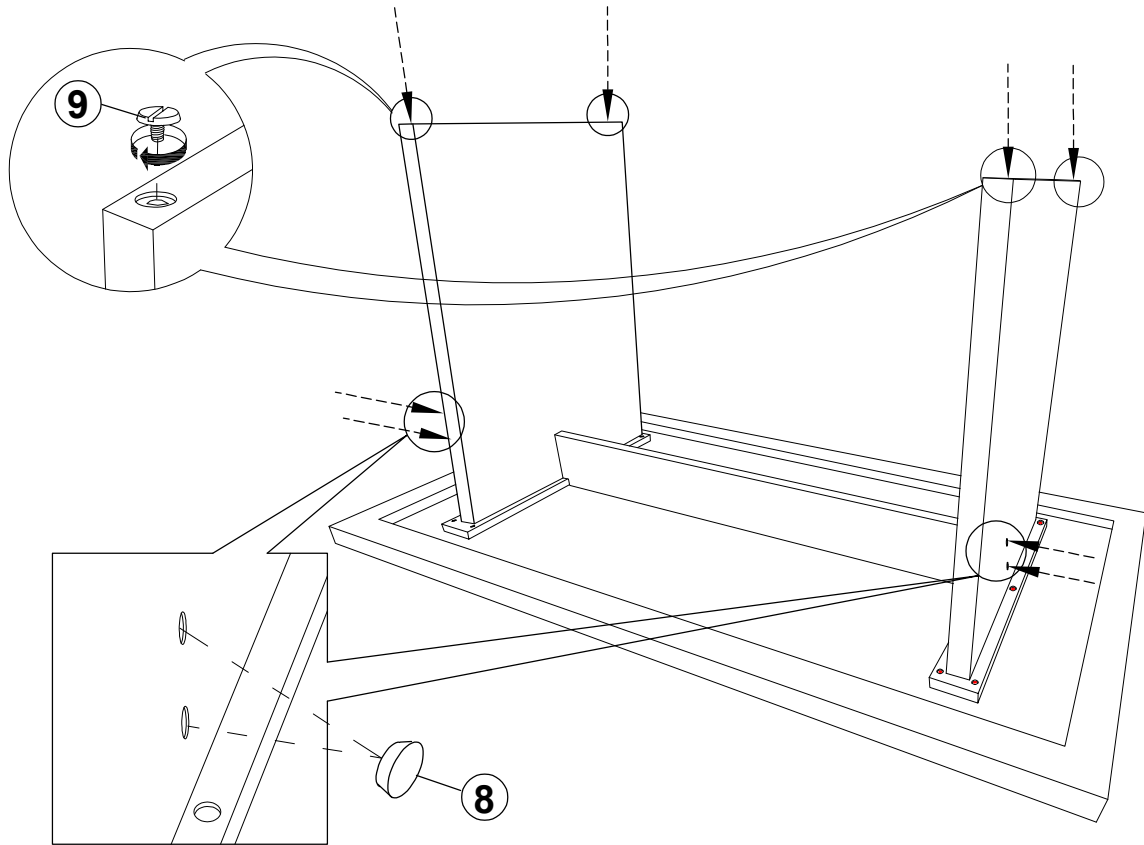
### STEP 4



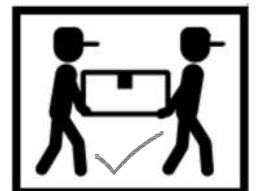
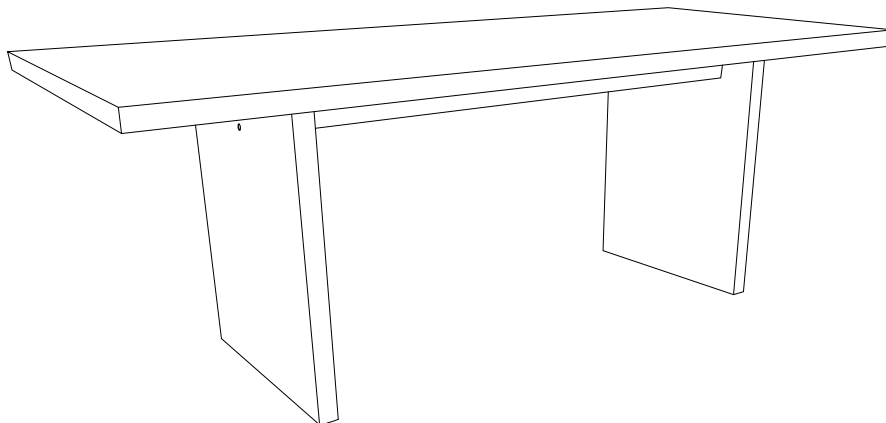
ITEM: **193951NAT**  
**ASSEMBLY INSTRUCTIONS**



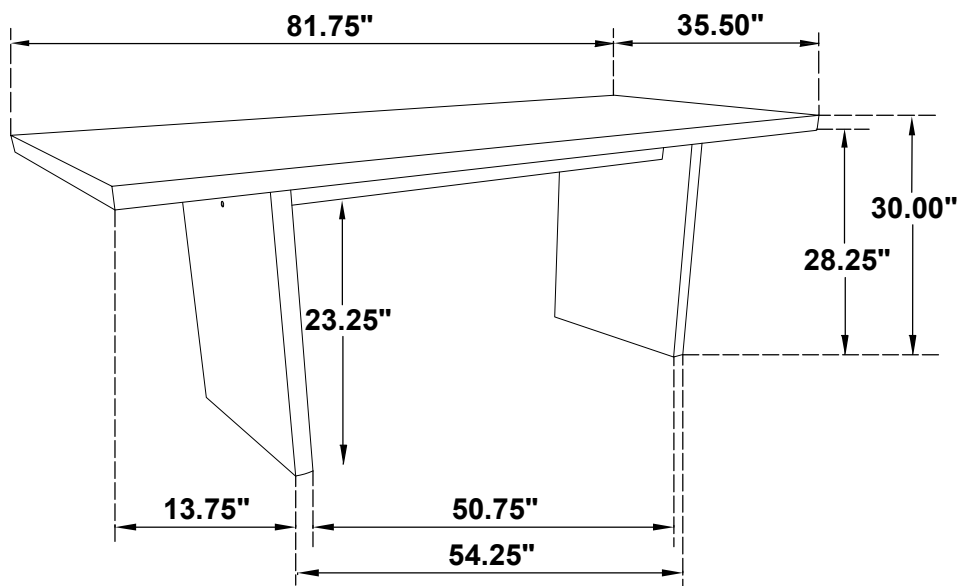
**STEP 5**



**STEP 6**  
**COMPLETE**



ITEM: **193951NAT**



**Note: Dimension tolerance  $\pm 5\%$**

**ASSEMBLY INSTRUCTIONS**  
**COASTER FINE FURNITURE**



*Fine Furniture for every stage of life*

**193962NAT**  
**Side Chair**

# ITEM : 193962NAT

## ASSEMBLY INSTRUCTIONS



### ASSEMBLY TIPS:

1. Remove hardware from box and sort by size.
2. Please check to see that all hardware and parts are present prior to start of assembly.
3. Please follow attached instructions in the same sequence as numbered to assure fast & easy assembly.



### WARNING!

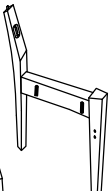
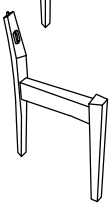
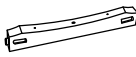

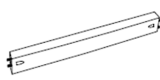


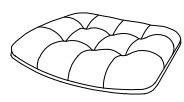
1. Don't attempt to repair or modify parts that are broken or defective. Please contact the store immediately.
2. This product is for home use only and not intended for commercial establishments.



ASSEMBLY TIME

20 MINUTES

## PARTS IDENTIFICATION

A	RIGHT LEG FRAME		1PC
B	LEFT LEG FRAME		1PC
C	FRONT RAIL (LONG)		1PC
D	BACK RAIL (SHORT)		1PC
E	FRONT LOWER RAIL (LONG)		1PC
F	BACKREST		1PC
G	BACK CUSHION (SMALL)		1PC
H	SEAT CUSHION (BIG)		1PC

### NOTE :

Quantities shown are for one chair.

# ITEM : 193962NAT

## ASSEMBLY INSTRUCTIONS



### ASSEMBLY TIPS:


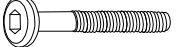

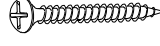




1. Remove hardware from box and sort by size.
2. Please check to see that all hardware and parts are present prior to start of assembly.
3. Please follow attached instructions in the same sequence as numbered to assure fast & easy assembly.



### WARNING!

1. Don't attempt to repair or modify parts that are broken or defective. Please contact the store immediately.
2. This product is for home use only and not intended for commercial establishments.

## HARDWARE IDENTIFICATION

1	<b>ALLEN WRENCH</b> (M4 x 100mm - BLK)		1PC
2	<b>BOLT</b> (M6 x 40mm - RBW)		4PCS
3	<b>LOCK WASHER</b> (1/4" - BLK)		4PCS
4	<b>LONG PAN HEAD SCREW</b> (#8 x 1 1/2" - BLK)		2PCS
5	<b>MEDIUM PAN HEAD SCREW</b> (#8 x 1 1/4" - BLK)		4PCS
6	<b>SHORT PAN HEAD SCREW</b> (#8 x 1" - BLK)		4PCS
7	<b>CAM BOLT</b> (263.20.847 - ZB)		2PCS
8	<b>WOOD DOWEL</b> (M8 x 30mm)		1PC

### NOTE :

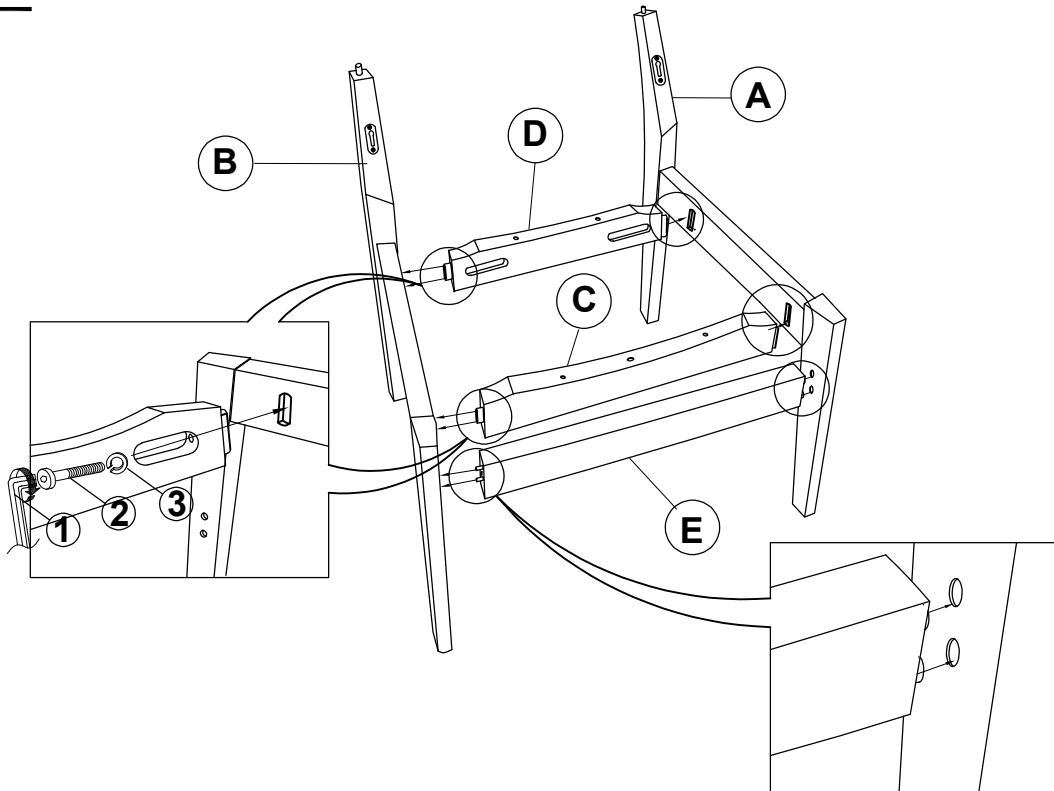
Phillips head screw driver is required in the assembly process ; However, manufacturer does not provide this item.  
Quantities shown are for one chair.

ITEM: **193962NAT**

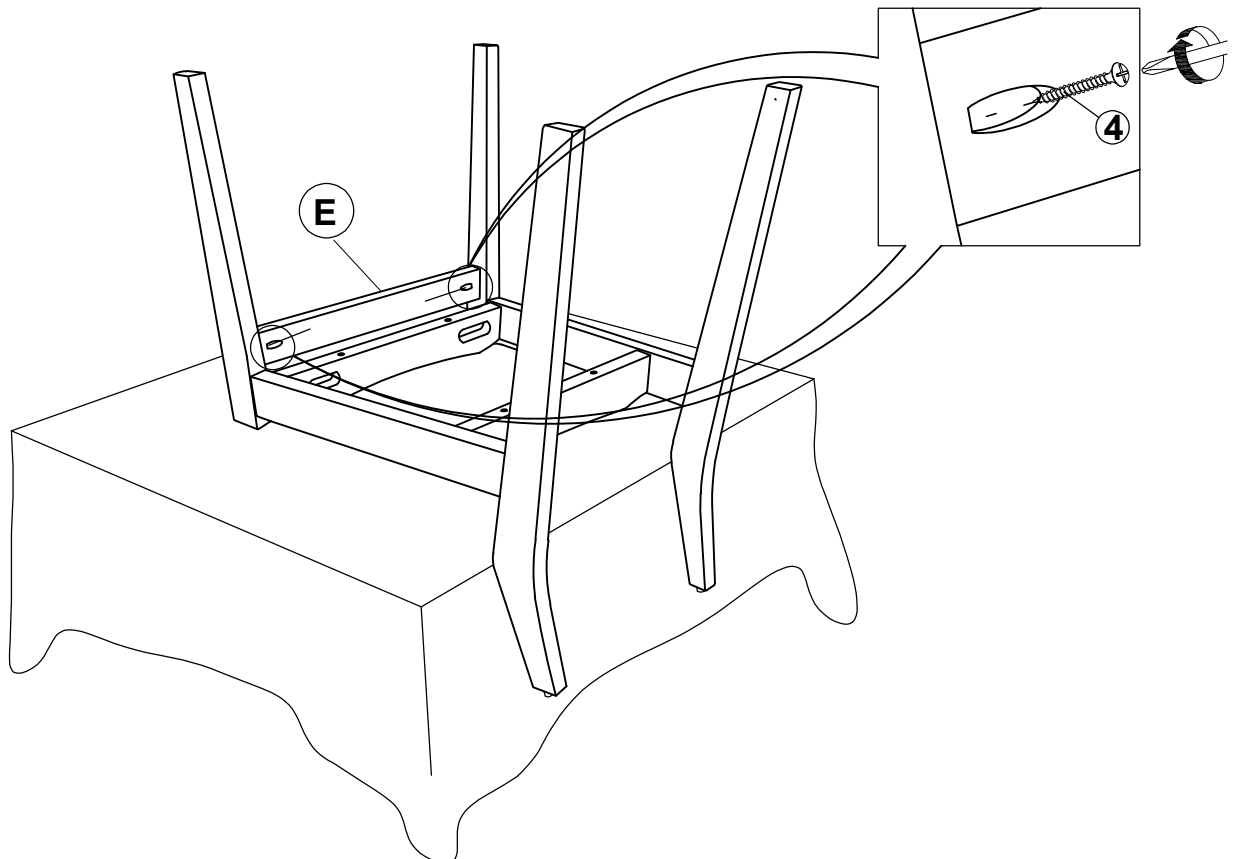


**ASSEMBLY INSTRUCTIONS**

**STEP 1**



**STEP 2**

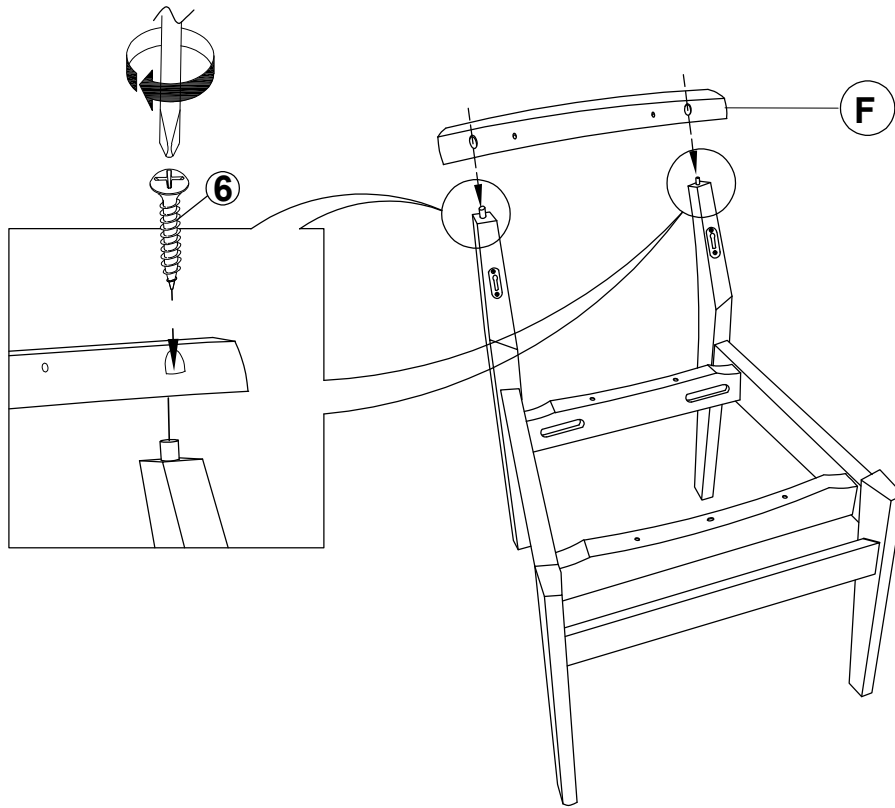


# ITEM: 193962NAT

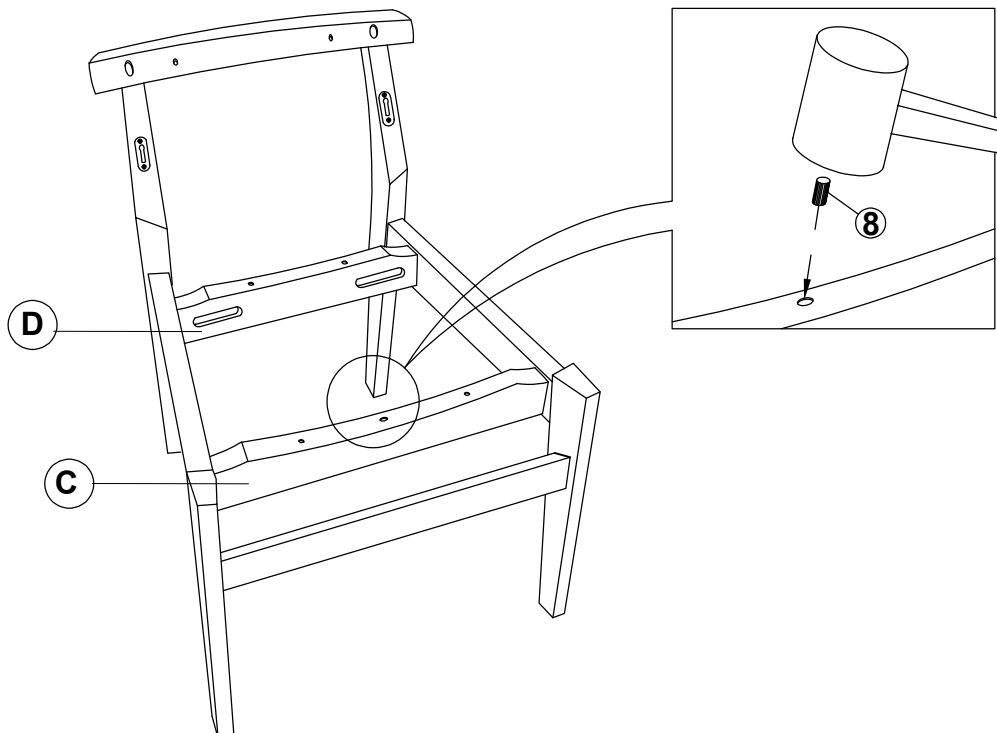


## ASSEMBLY INSTRUCTIONS

### STEP 3



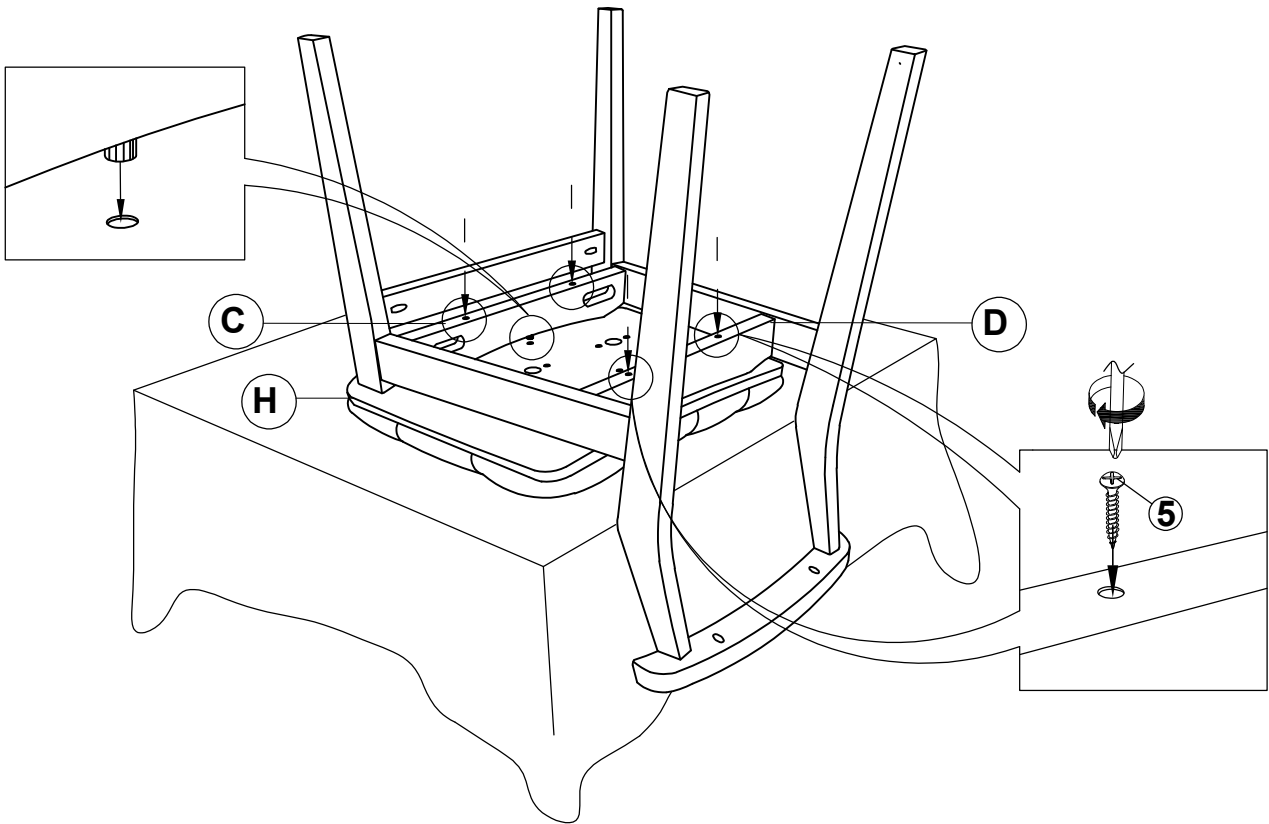
### STEP 4



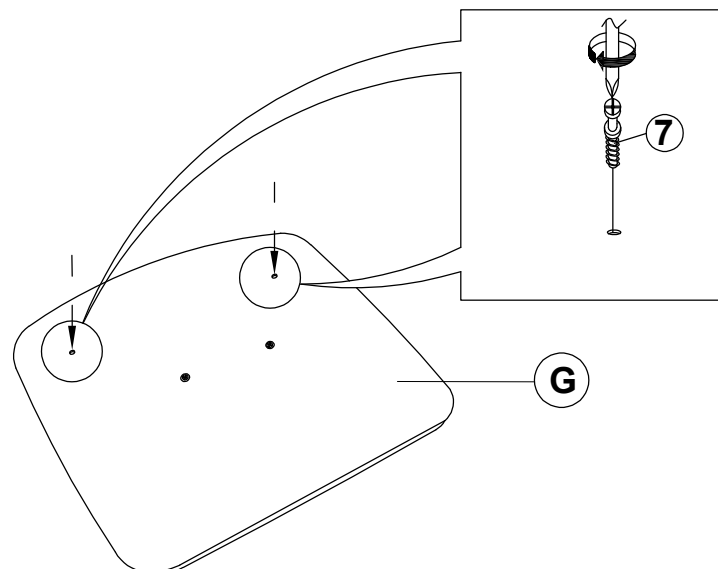
# ITEM: 193962NAT

## ASSEMBLY INSTRUCTIONS

### STEP 5



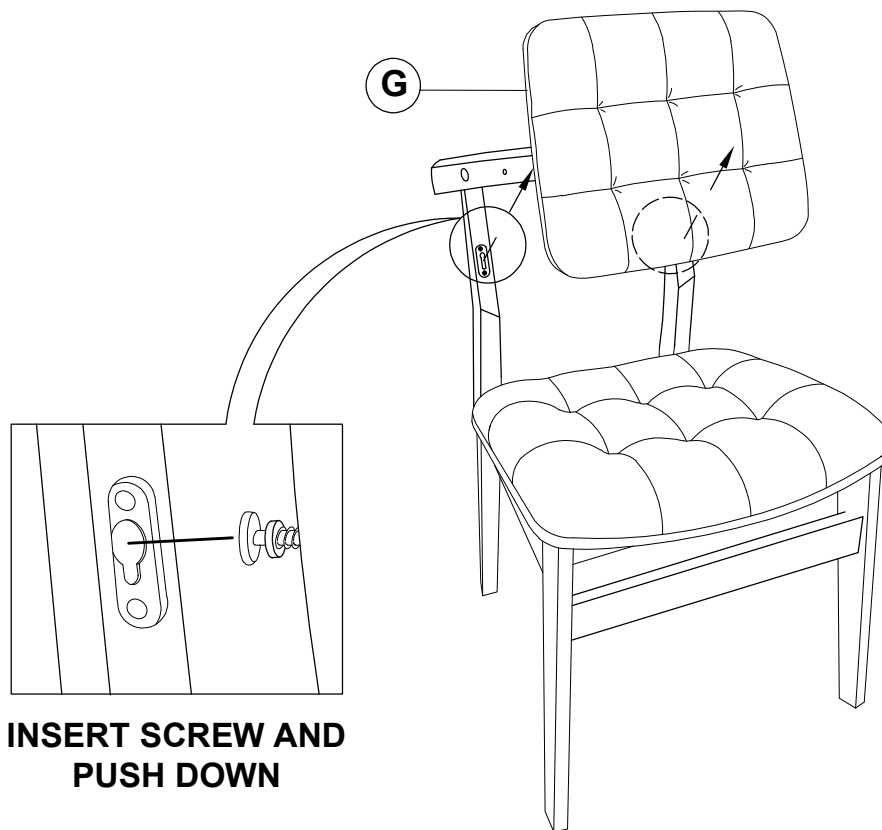
### STEP 6



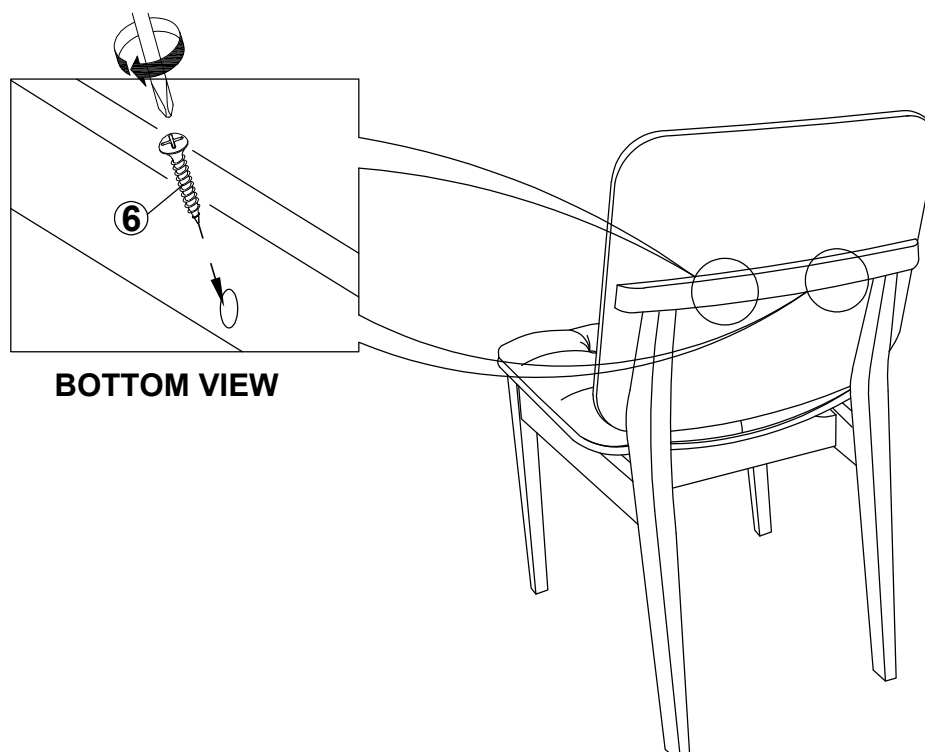
# ITEM: 193962NAT

## ASSEMBLY INSTRUCTIONS

### STEP 7



### STEP 8

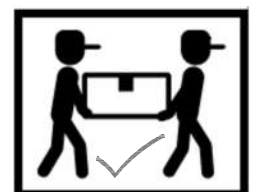
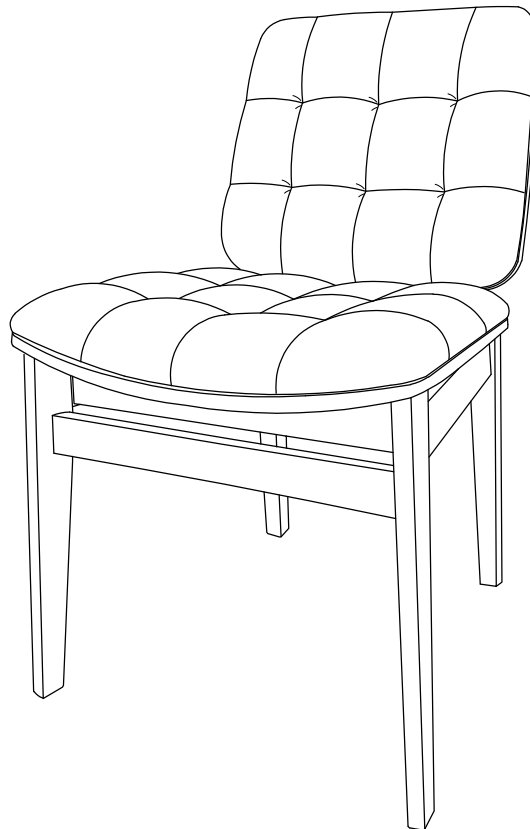


ITEM: **193962NAT**

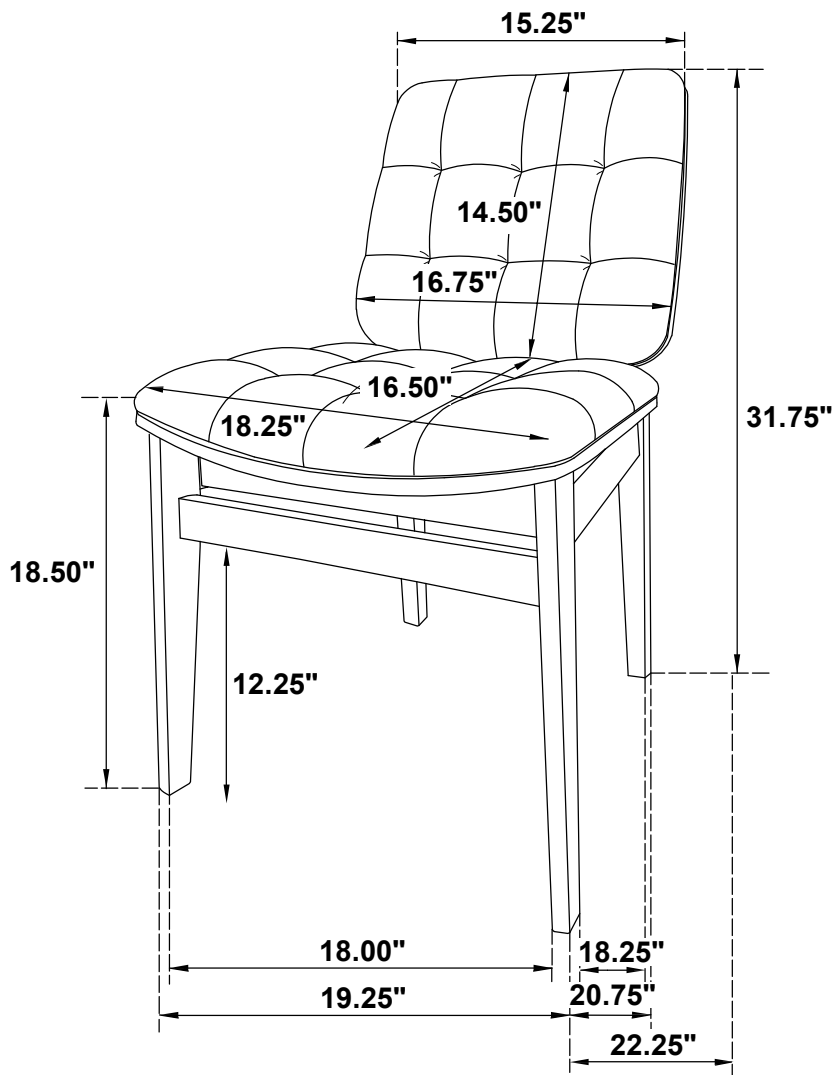
**ASSEMBLY INSTRUCTIONS**

**STEP 9**

**COMPLETE**



ITEM: **193962NAT**



Note: Dimension tolerance  $\pm 5\%$