



ASSEMBLY INSTRUCTIONS
COASTER FINE FURNITURE



Fine Furniture for every stage of life

193958NAT
Counter Height Dining Table

ITEM: 193958NAT

ASSEMBLY INSTRUCTIONS



ASSEMBLY TIPS:

1. Remove hardware from box and sort by size.
2. Please check to see that all hardware and parts are present prior to start of assembly.
3. Please follow attached instructions in the same sequence as numbered to assure fast & easy assembly.



WARNING!

1. Don't attempt to repair or modify parts that are broken or defective. Please contact the store immediately.
2. This product is for home use only and not intended for commercial establishments.



ASSEMBLY TIME

20 MINUTES

PARTS IDENTIFICATION

A	TOP		1PC
B	LEG		2PCS
C	MOUNTING BAR		2PCS
D	CROSSBAR		1PC

HARDWARE IDENTIFICATION

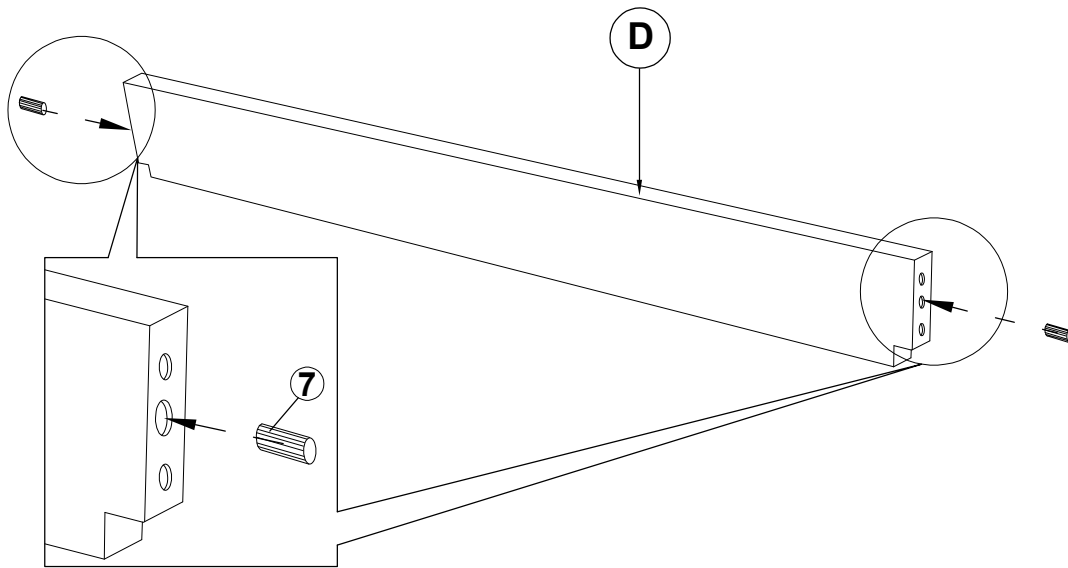
1	ALLEN WRENCH (M4 x 63MM - BLK)		1PC
2	LONG HEX HEAD SCREW (M7 x 50MM - RBW)		4PCS
3	SHORT HEX HEAD SCREW (M7 x 35MM - RBW)		8PCS
4	BOLT (M6 x 30MM - RBW)		10PCS
5	LOCK WASHER (1/4" - BLK)		10PCS
6	FLAT WASHER (M6 x 13MM - RBW)		10PCS
7	WOOD DOWEL (M10 x 30MM)		2PCS
8	WOOD PLUG (Ø14.5 x 9MM)		4PCS
9	LEVELER (M6 x 14.8MM)		4PCS

ITEM: **193958NAT**

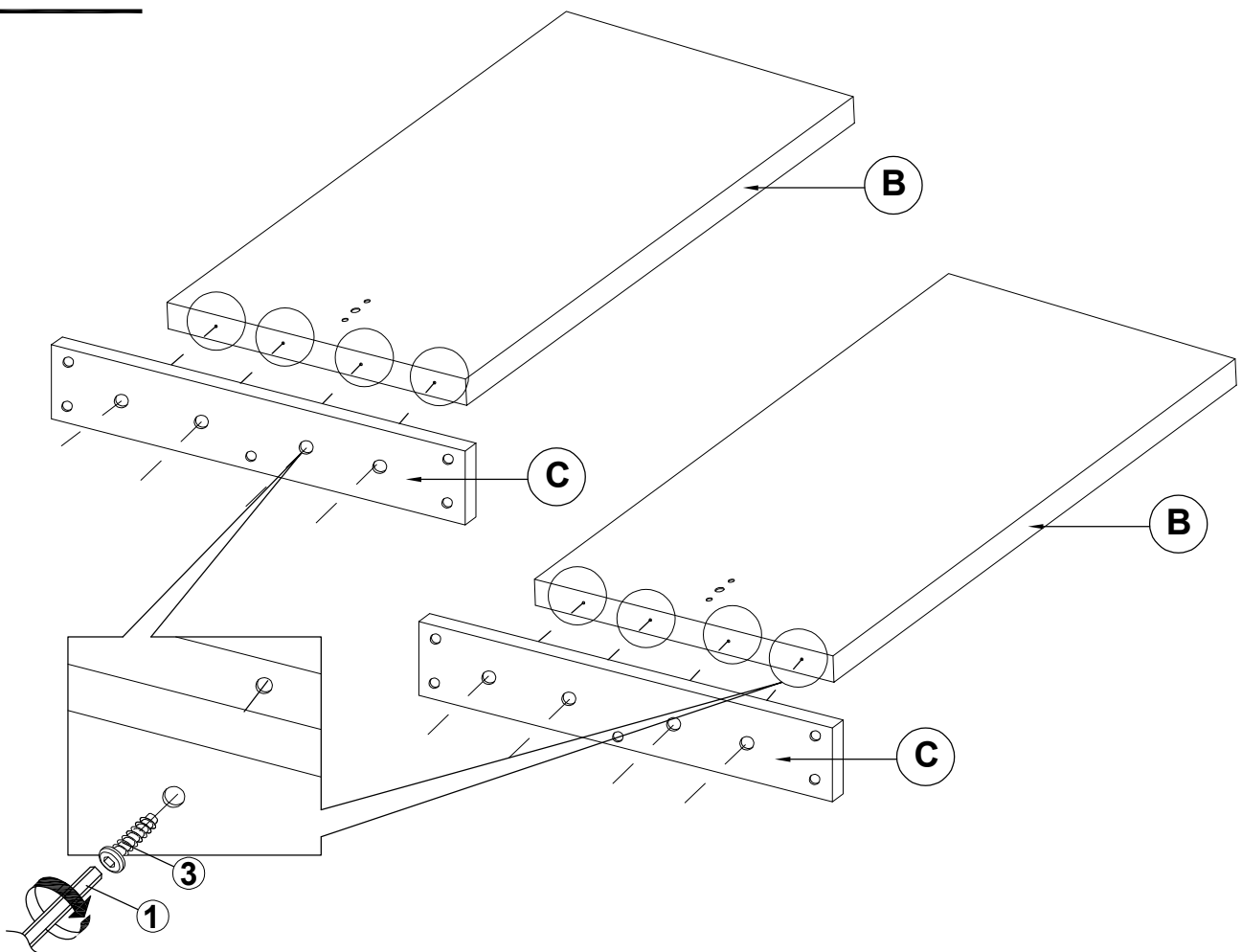


ASSEMBLY INSTRUCTIONS

STEP 1



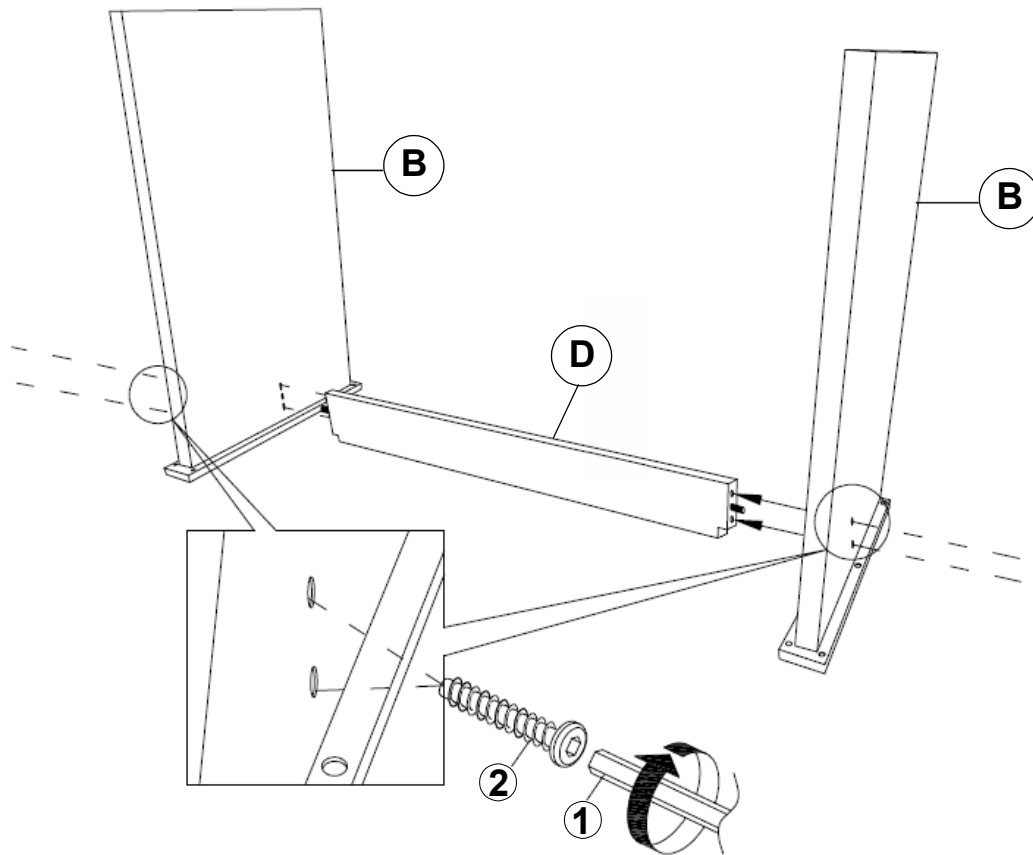
STEP 2



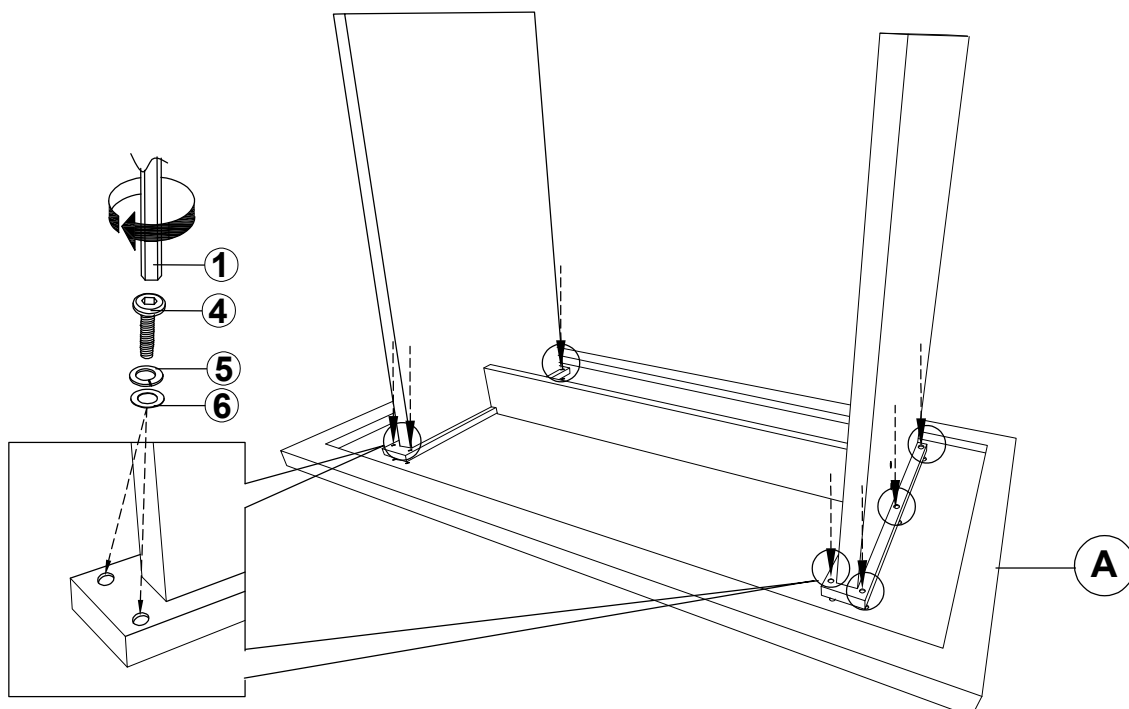
ITEM: 193958NAT

ASSEMBLY INSTRUCTIONS

STEP 3



STEP 4

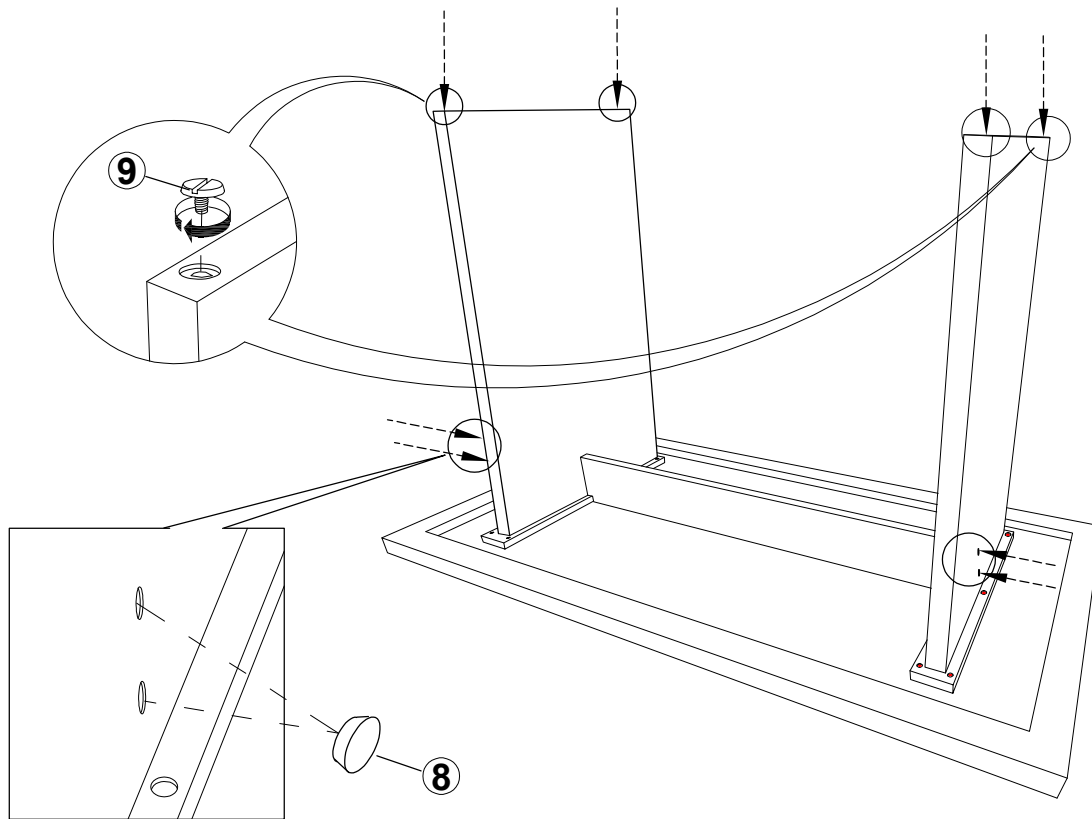


ITEM: **193958NAT**



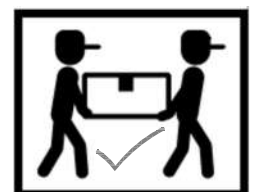
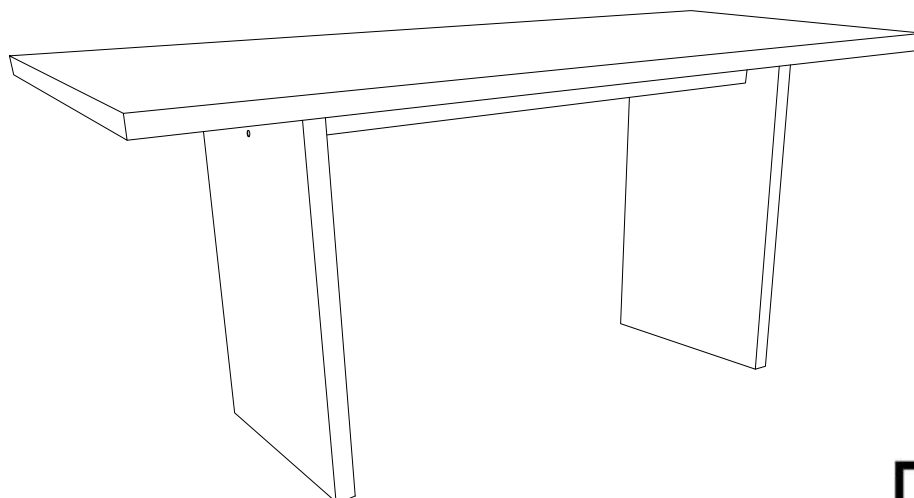
ASSEMBLY INSTRUCTIONS

STEP 5

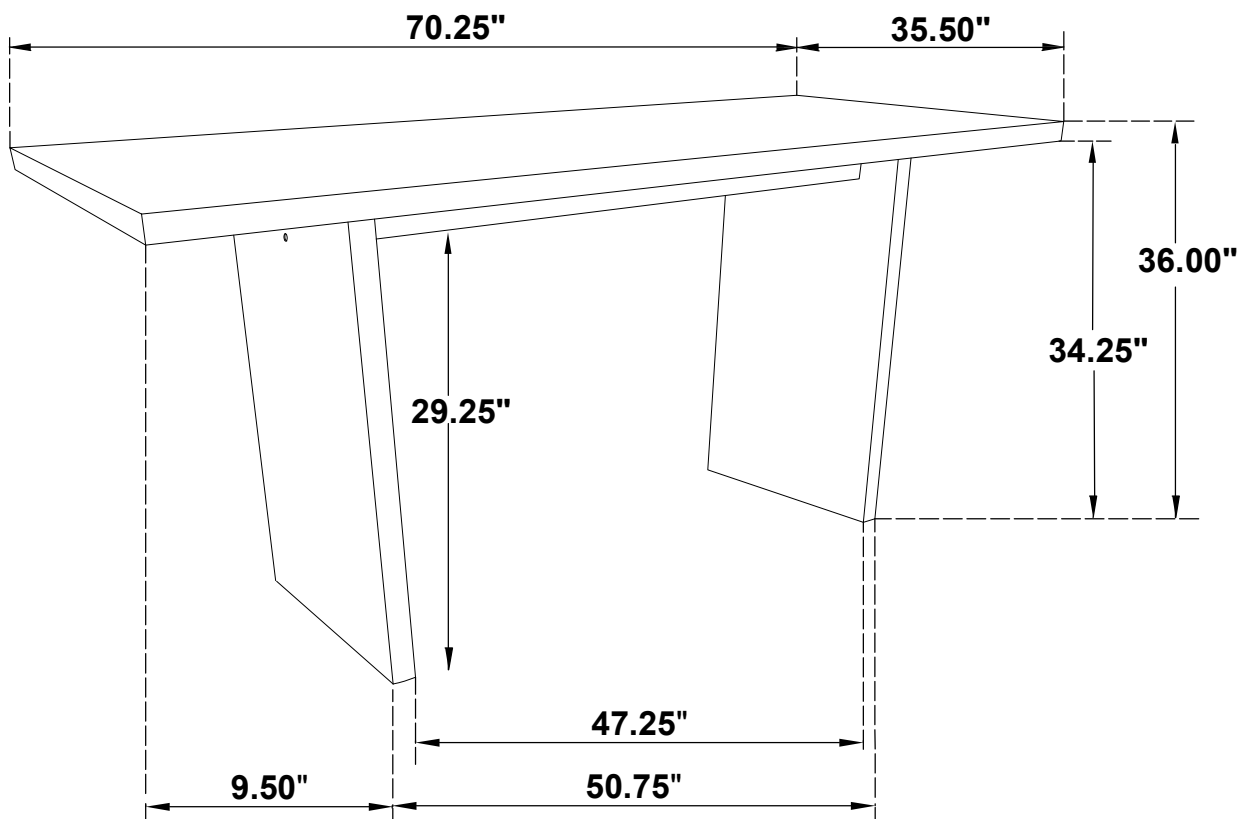


STEP 6

COMPLETE



ITEM: **193958NAT**



Note: Dimension tolerance $\pm 5\%$

ASSEMBLY INSTRUCTIONS
COASTER FINE FURNITURE



Fine Furniture for every stage of life

193939NAT
Counter Chair

ITEM: 193939NAT



ASSEMBLY INSTRUCTIONS

ASSEMBLY TIPS:

1. Remove hardware from box and sort by size.
2. Please check to see that all hardware and parts are present prior to start of assembly.
3. Please follow attached instructions in the same sequence as numbered to assure fast & easy assembly.



WARNING!

1. Don't attempt to repair or modify parts that are broken or defective. Please contact the store immediately.
2. This product is for home use only and not intended for commercial establishments.

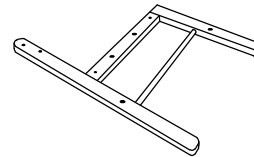


ASSEMBLY TIME

15 MINUTES

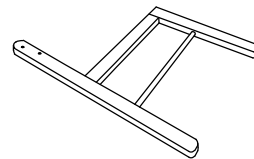
PARTS IDENTIFICATION

A RIGHT LEG FRAME



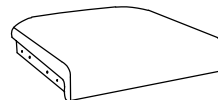
1PC

B LEFT LEG FRAME



1PC

C SEAT CUSHION WITH FRAME



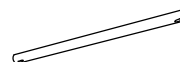
1PC

D BACKREST



1PC

E FRONT AND BACK
LOWER RAIL



2PCS

NOTE :

Quantities shown are for one chair.

ITEM : 193939NAT



ASSEMBLY INSTRUCTIONS

ASSEMBLY TIPS:


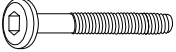
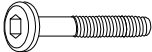






1. Remove hardware from box and sort by size.
2. Please check to see that all hardware and parts are present prior to start of assembly.
3. Please follow attached instructions in the same sequence as numbered to assure fast & easy assembly.



WARNING!

1. Don't attempt to repair or modify parts that are broken or defective. Please contact the store immediately.
2. This product is for home use only and not intended for commercial establishments.

HARDWARE IDENTIFICATION

1	ALLEN WRENCH (M4 x 100mm - BLK)		1PC
2	LONG BOLT (M6 x 50mm - RBW)		4PCS
3	SHORT BOLT (M6 x 40mm - RBW)		4PCS
4	LOCK WASHER (1/4" - BLK)		8PCS
5	SMALL FLAT WASHER (M6 x 13mm - RBW)		4PCS
6	BIG FLAT WASHER (1/4" - RBW)		4PCS
7	WOOD DOWEL (M10 x 30mm)		4PCS
8	PAN HEAD SCREW (#8 x 1 1/4" - BLK)		4PCS
9	WOOD PLUG (Ø14.5 x 9mm)		4PCS

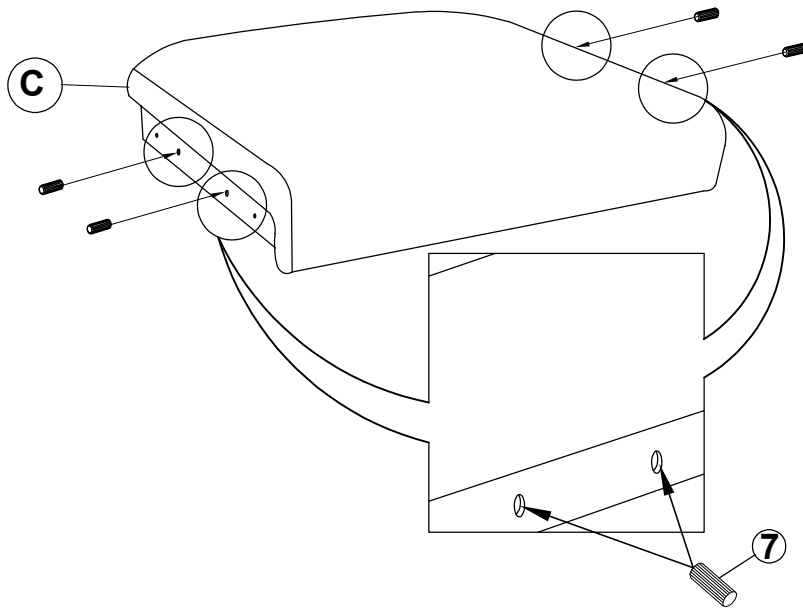
NOTE :

Phillips head screw driver is required in the assembly process ; However, manufacturer does not provide this item.
Quantities shown are for one chair.

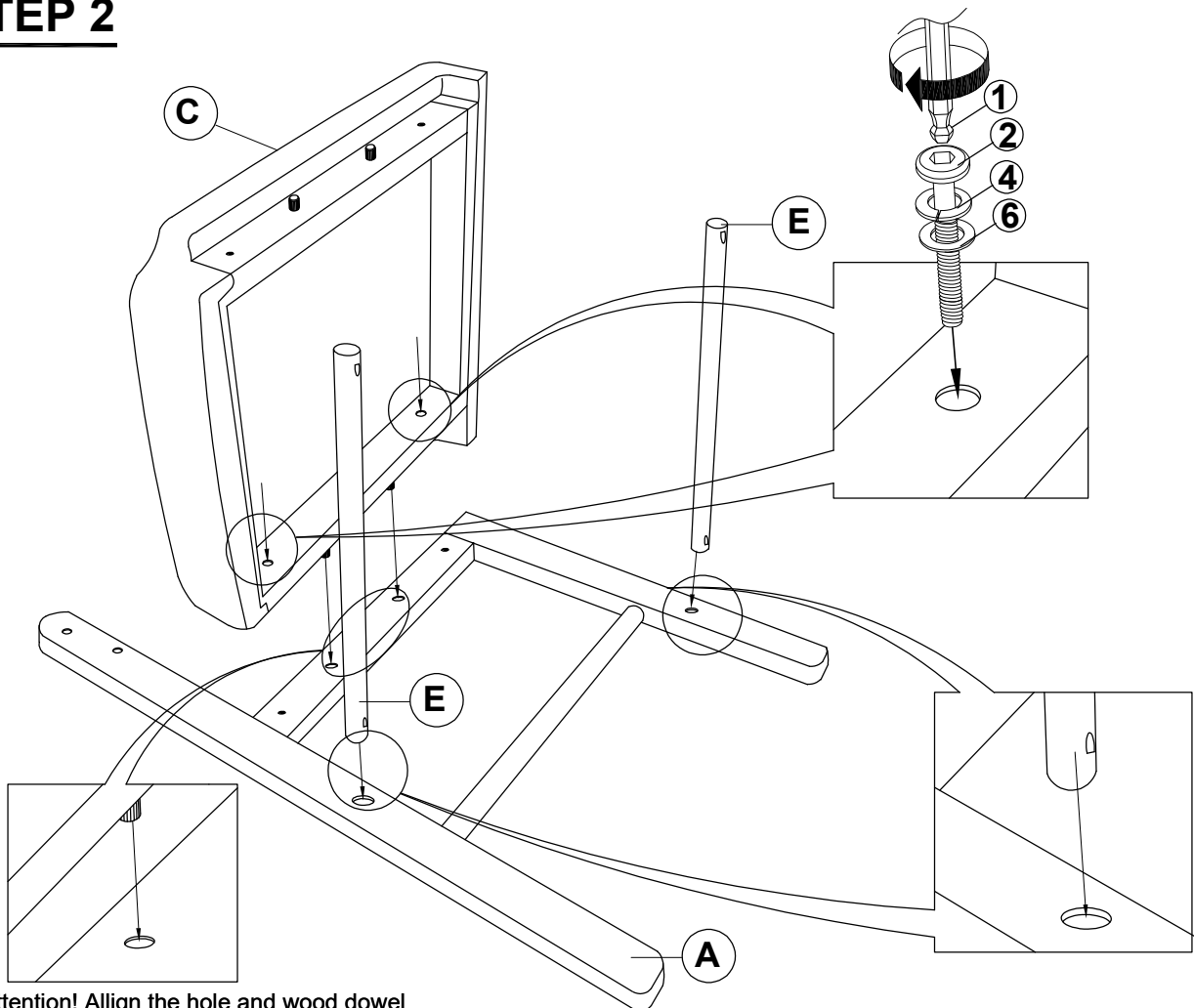
ITEM: 193939NAT

ASSEMBLY INSTRUCTIONS

STEP 1



STEP 2

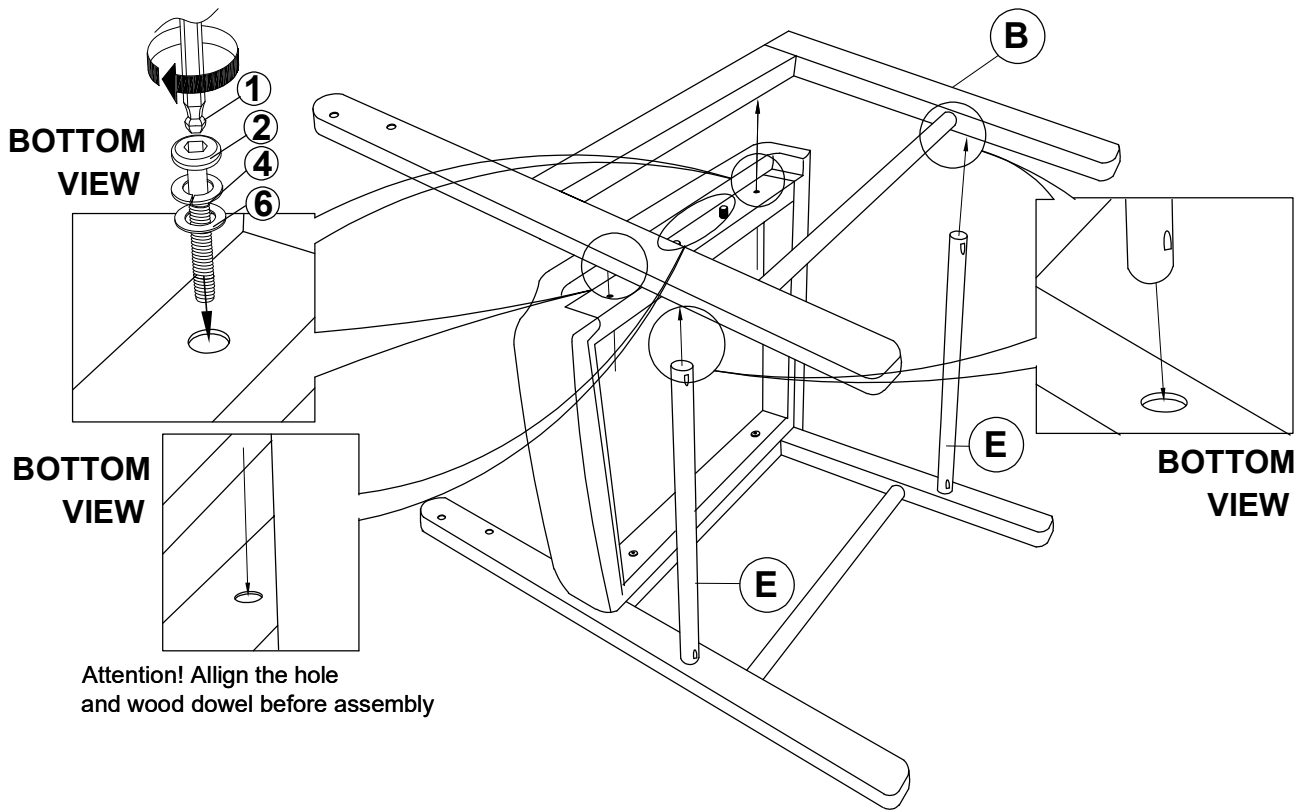


Attention! Align the hole and wood dowel before assembly

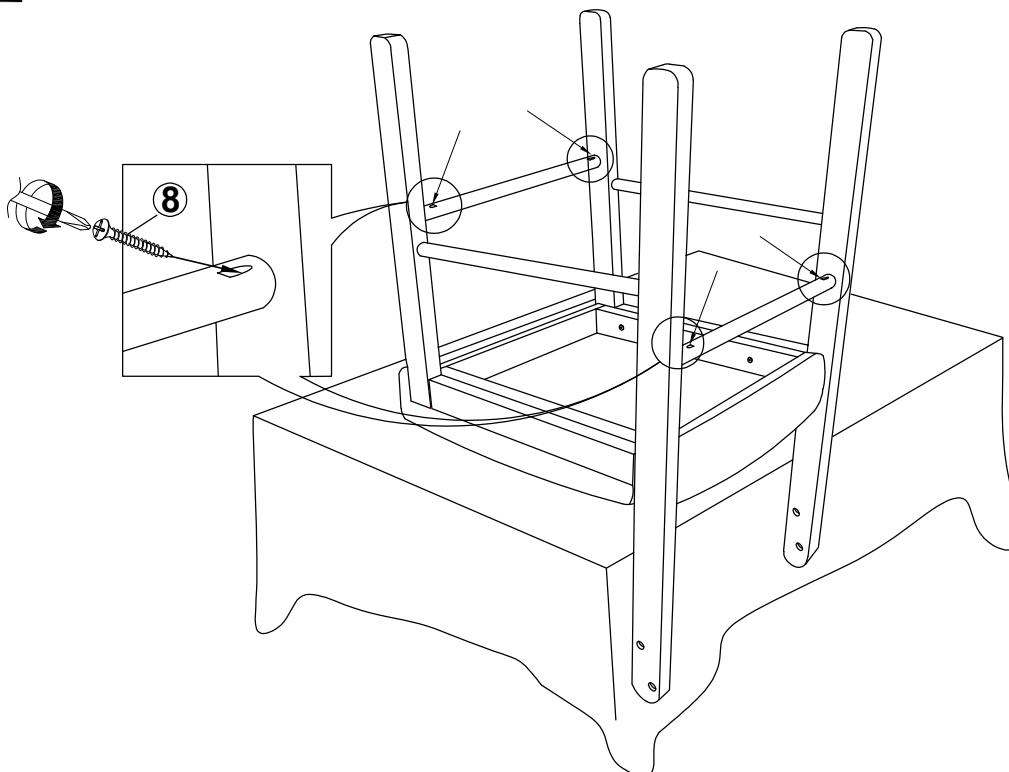
ITEM: 193939NAT

ASSEMBLY INSTRUCTIONS

STEP 3



STEP 4

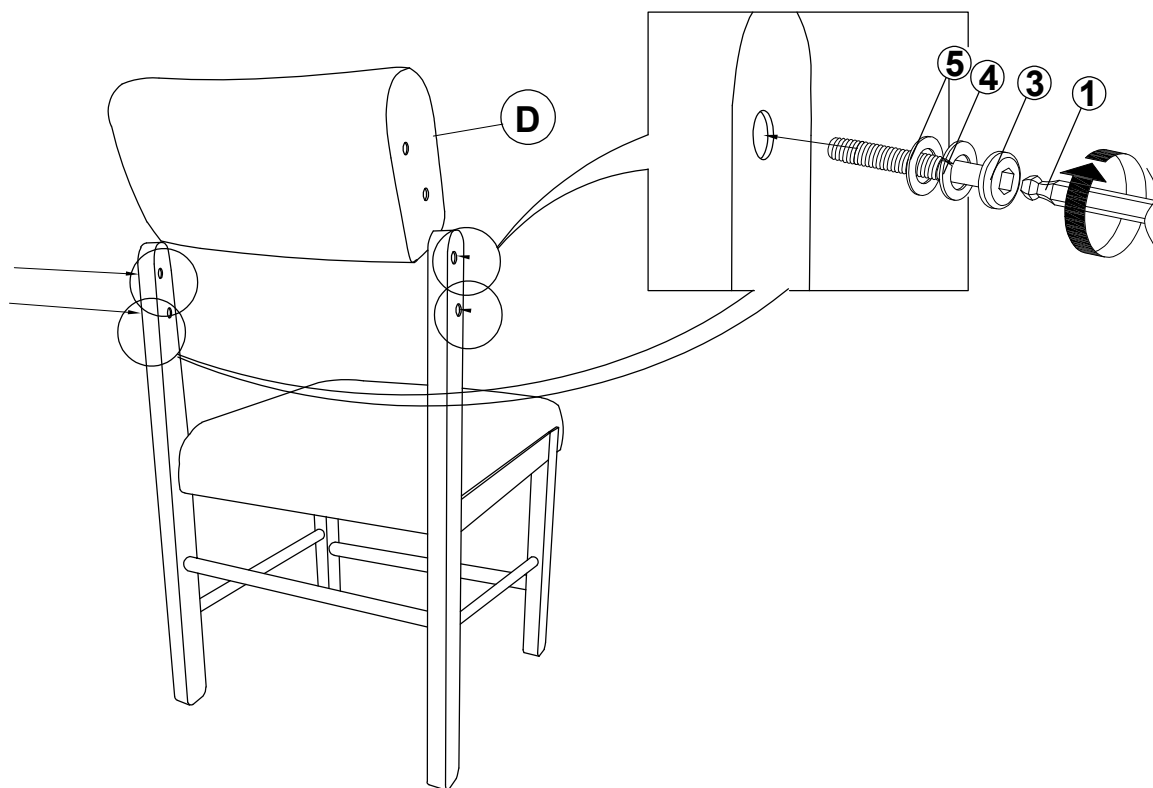


ITEM: **193939NAT**

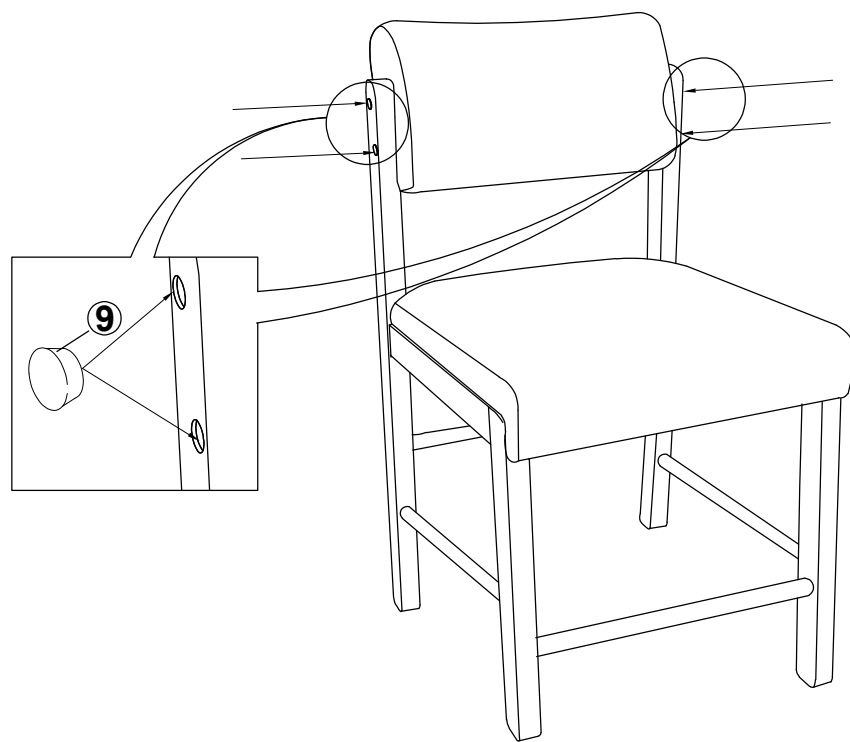


ASSEMBLY INSTRUCTIONS

STEP 5



STEP 6

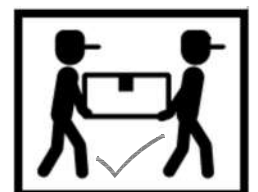
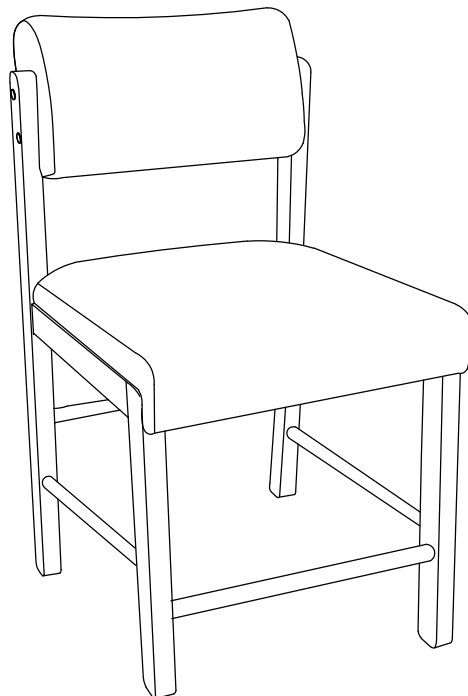


ITEM: **193939NAT**

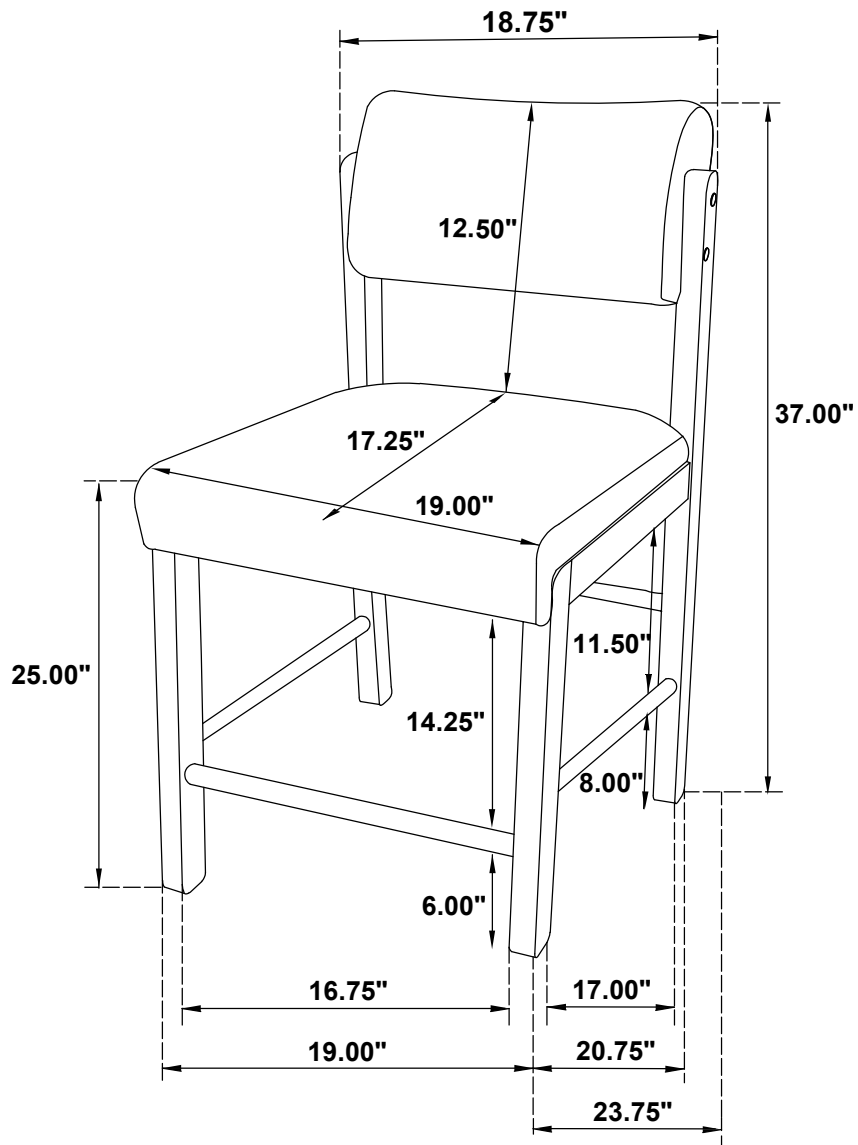
ASSEMBLY INSTRUCTIONS

STEP 7

COMPLETE



ITEM: 193939NAT



Note: Dimension tolerance $\pm 5\%$