

ASSEMBLY INSTRUCTIONS
COASTER FINE FURNITURE



Fine Furniture for every stage of life

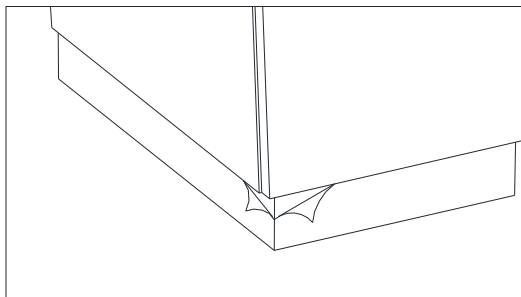
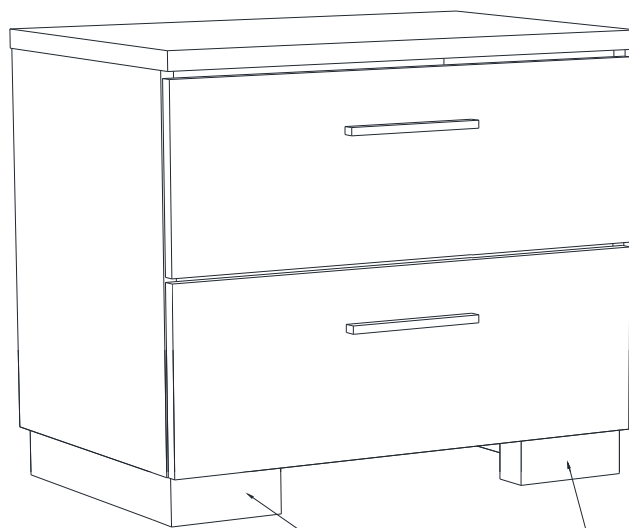
203502
Nightstand

ITEM: **203502**



ASSEMBLY INSTRUCTIONS

REMOVAL OF PROTECTIVE FILM



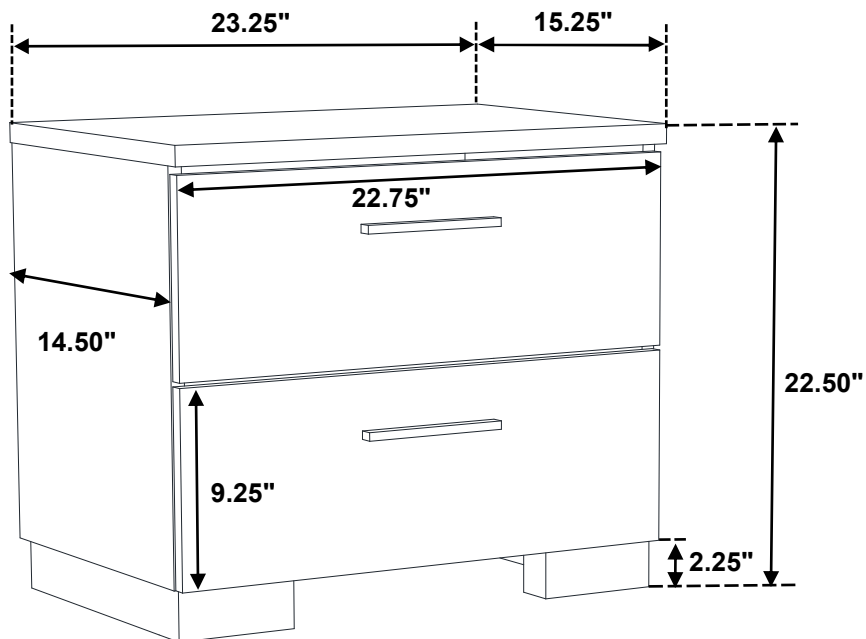
**PLEASE REMOVE THE
PROTECTIVE FILM
BEFORE USE**



ITEM:203502



Inner Size of Drawer : 20.00"W x 12.50"D x 5.00"H x 0.25"T



Note : Dimension tolerance \pm 5%

ASSEMBLY INSTRUCTIONS
COASTER FINE FURNITURE



Fine Furniture for every stage of life

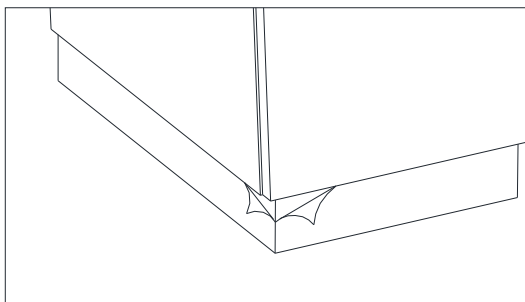
203503
Dresser

ITEM: **203503**

ASSEMBLY INSTRUCTIONS



REMOVAL OF PROTECTIVE FILM



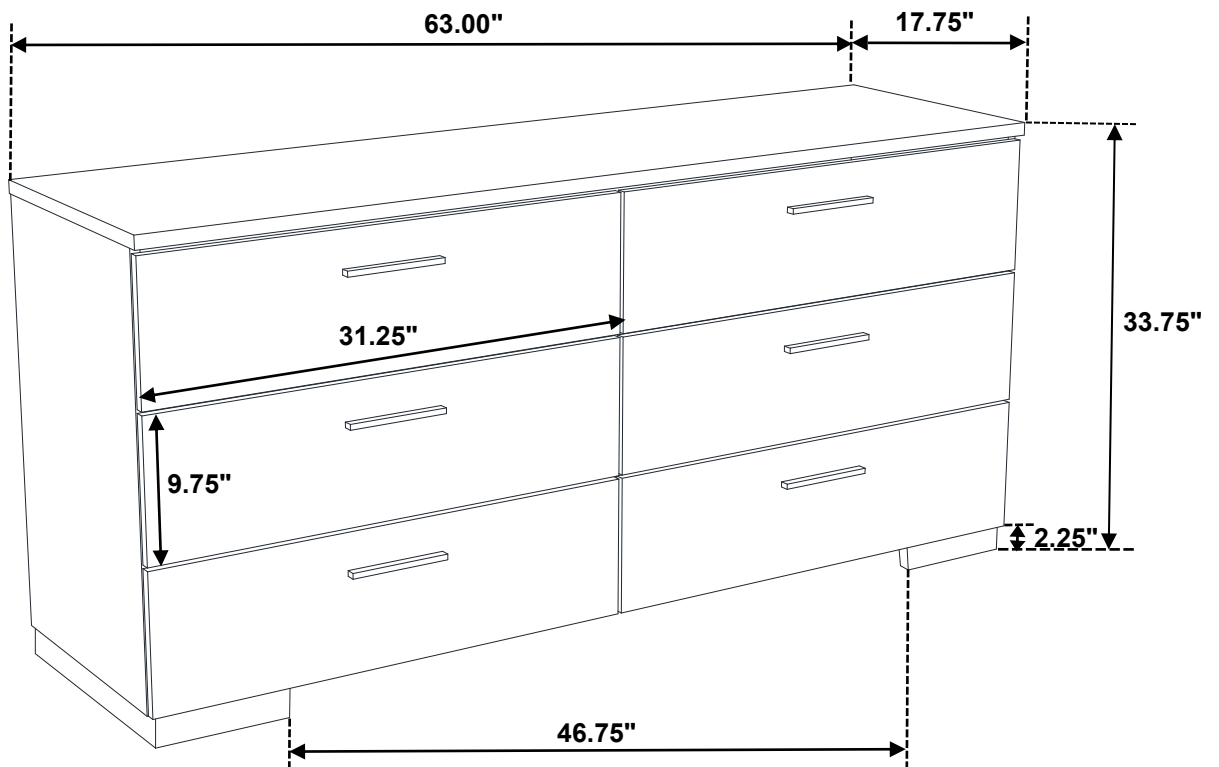
**PLEASE REMOVE THE
PROTECTIVE FILM
BEFORE USE**



ITEM:203503



Inner Size of Drawer : 28.75"W x 12.50"D x 5.00"H x 0.25"T



Note : Dimension tolerance $\pm 5\%$

ASSEMBLY INSTRUCTIONS
COASTER FINE FURNITURE



Fine Furniture for every stage of life

203504
Mirror

ITEM:203504



ASSEMBLY INSTRUCTIONS

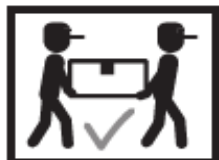
ASSEMBLY TIPS:

1. Remove hardware from box and sort by size.
2. Please check to see that all hardware and parts are present prior to start of assembly.
3. Please follow attached instructions in the same sequence as numbered to assure fast & easy assembly.



WARNING!

1. Don't attempt to repair or modify parts that are broken or defective. Please contact the store immediately.
2. This product is for home use only and not intended for commercial establishments.



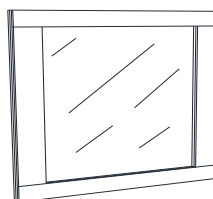
ASSEMBLY TIME

5 MINUTES

PARTS IDENTIFICATION

A

MIRROR



1PC

B

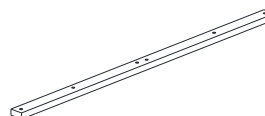
DRESSER
FROM BOX ITEM # 203503



1PC

C

MIRROR SUPPORT
(PACK WITH DRESSER)



2PCS

HARDWARE IDENTIFICATION

1

FLAT HEAD SCREW
(M4 x 32mm - RBW)



10PCS

NOTE:

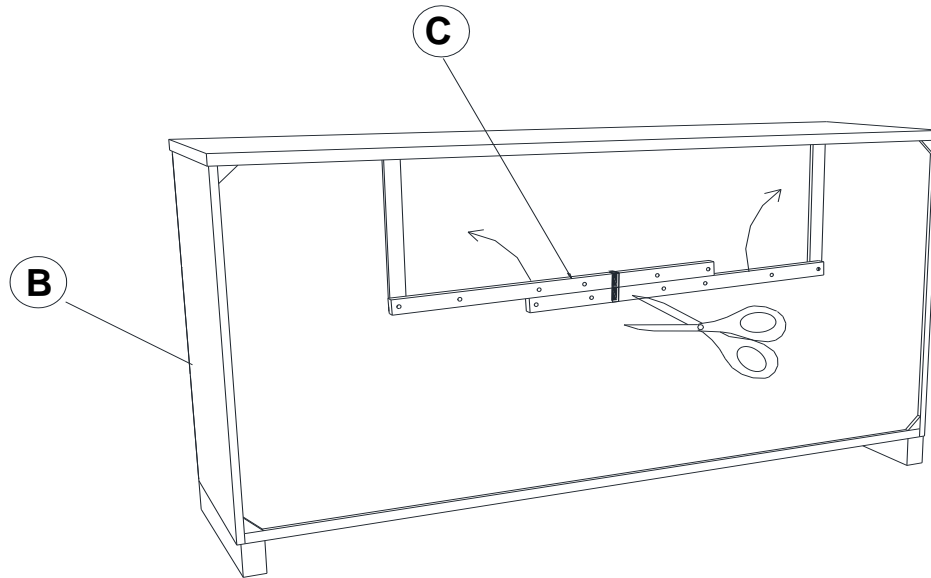
Phillips head screw driver is required in the assembly process; however, manufacturer does not provide this item.

ITEM: **203504**

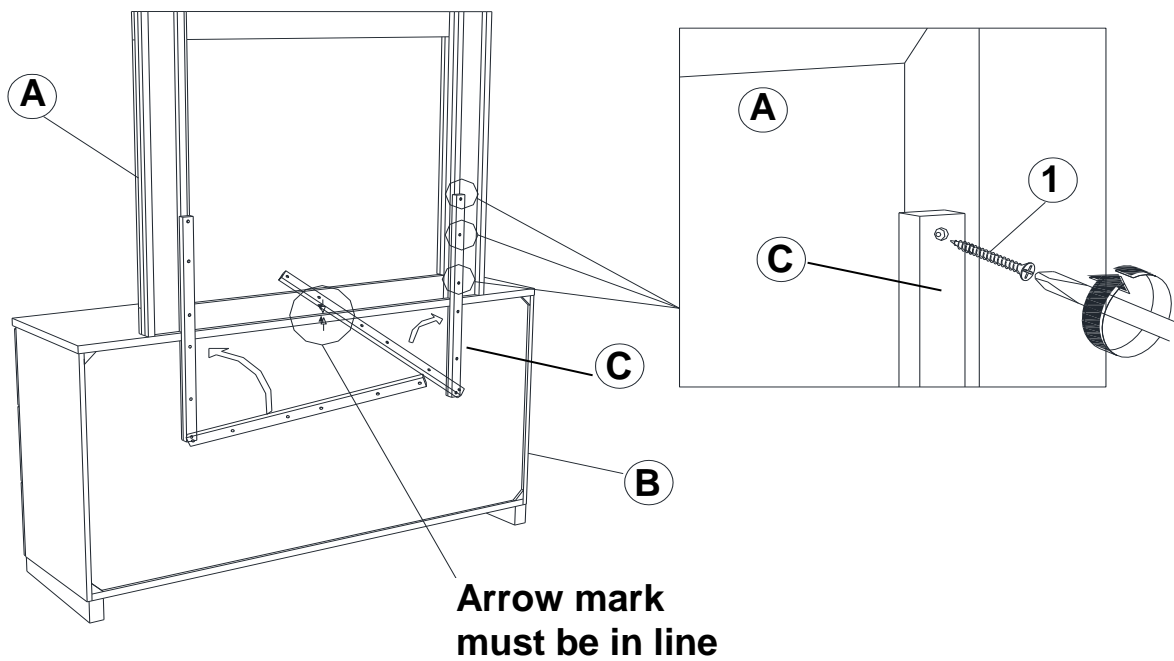


ASSEMBLY INSTRUCTIONS

STEP 1



STEP 2



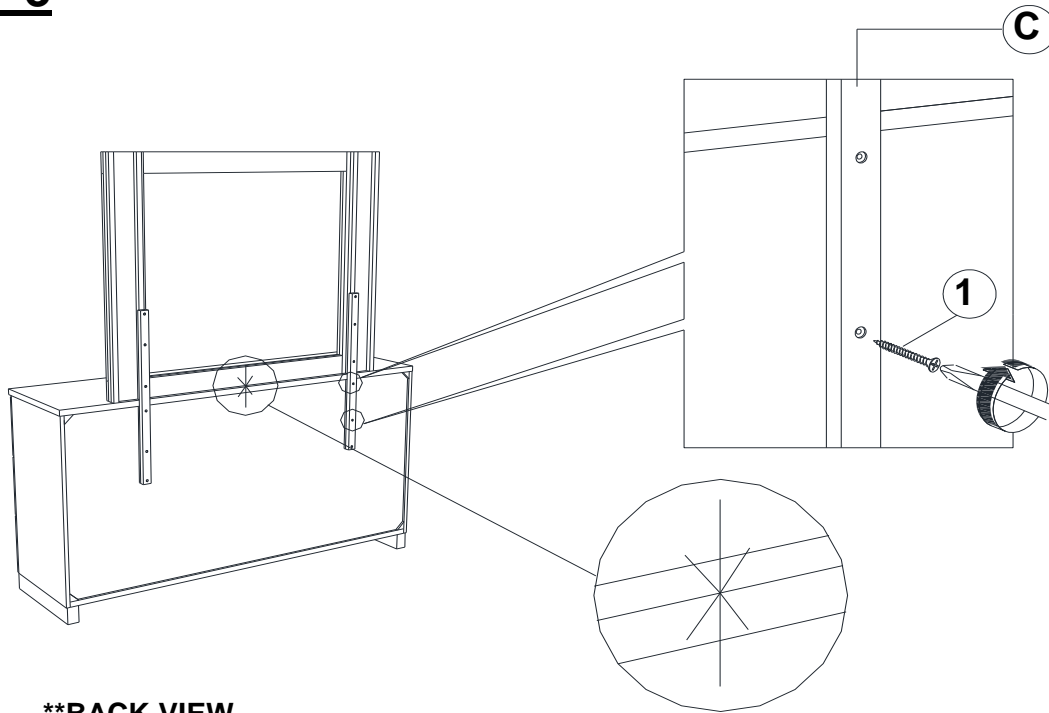
****BACK VIEW**

ITEM: **203504**



ASSEMBLY INSTRUCTIONS

STEP 3

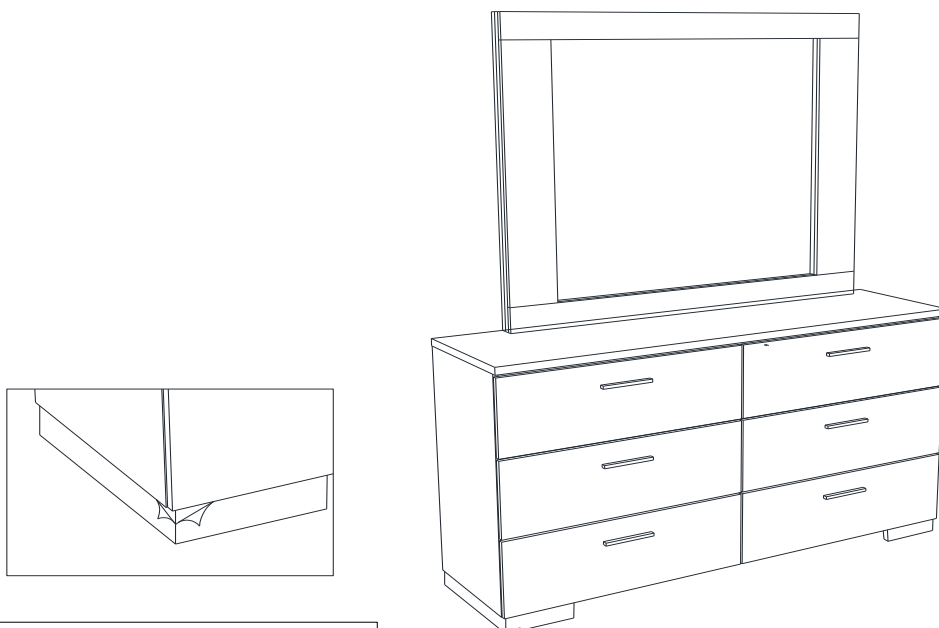


****BACK VIEW**

Arrow Marking Must Be Aligned

STEP 4

COMPLETE

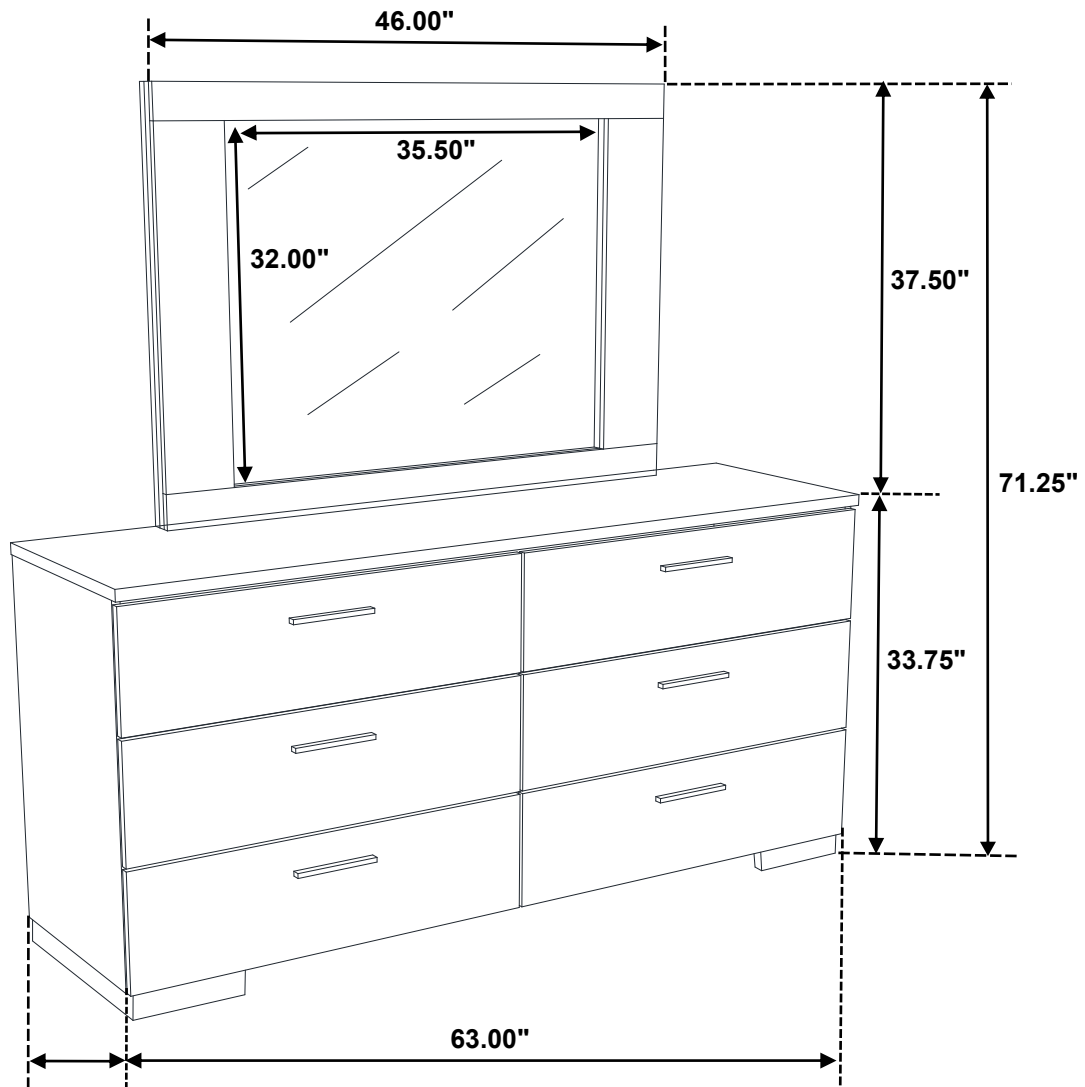


PLEASE REMOVE THE PROTECTIVE FILM BEFORE USE



ITEM:203504

COASTER
FINE FURNITURE



Note : Dimension tolerance $\pm 5\%$

ASSEMBLY INSTRUCTIONS
COASTER FINE FURNITURE



Fine Furniture for every stage of life

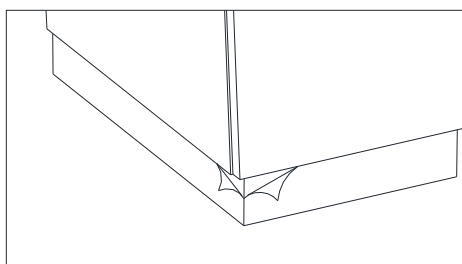
203505
Chest

ITEM: **203505**

ASSEMBLY INSTRUCTIONS



REMOVAL OF PROTECTIVE FILM



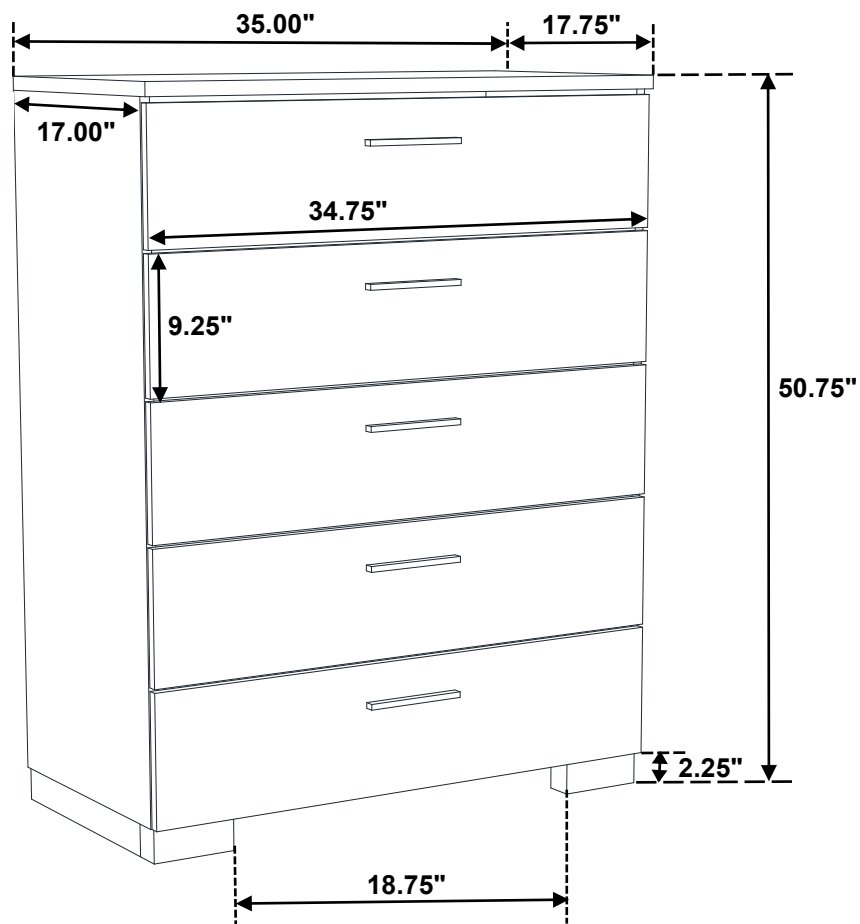
**PLEASE REMOVE THE
PROTECTIVE FILM
BEFORE USE**



ITEM:203505



Inner Size of Drawer : 32.00"W x 12.50"D x 5.00"H x 0.25"T



Note : Dimension tolerance $\pm 5\%$

ASSEMBLY INSTRUCTIONS
COASTER FINE FURNITURE



Fine Furniture for every stage of life

203510Q (B1-B3)
Queen Storage Bed

ITEM: 203510Q (B1-B3)



ASSEMBLY INSTRUCTIONS

ASSEMBLY TIPS:

1. Remove hardware from box and sort by size.
2. Please check to see that all hardware and parts are present prior to start of assembly.
3. Please follow attached instructions in the same sequence as numbered to assure fast & easy assembly.



WARNING!

1. Don't attempt to repair or modify parts that are broken or defective. Please contact the store immediately.
2. This product is for home use only and not intended for commercial establishments.



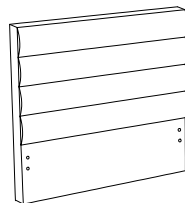
ASSEMBLY TIME

20 MINUTES

PARTS IDENTIFICATION

B1 (BOX 1)

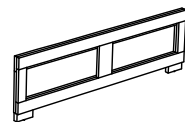
A HEADBOARD



1PC

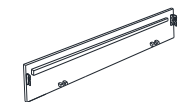
B2 (BOX 2)

B FOOTBOARD FRAME



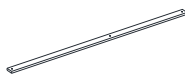
1PC

C BED RAIL



2PCS

D BED SLAT WITH ONE HOLE



3PCS

E BED SLAT WITH MARKING



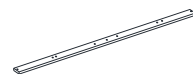
2PCS

F CONCEAL PANEL



5PCS

G DRAWER SUPPORT SLAT



1PC

H DRAWER SUPPORT RAIL



2PCS

I BED SLAT SUPPORT WITH LEVELER



5PCS

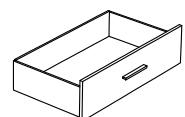
J DRAWER SUPPORT SLAT LEG WITH LEVELER



1PC

B3 (BOX 3)

K DRAWER BOX



2PCS

ITEM: 203510Q (B1-B3)



ASSEMBLY INSTRUCTIONS

ASSEMBLY TIPS:

1. Remove hardware from box and sort by size.
2. Please check to see that all hardware and parts are present prior to start of assembly.
3. Please follow attached instructions in the same sequence as numbered to assure fast & easy assembly.







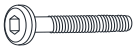



WARNING!

1. Don't attempt to repair or modify parts that are broken or defective. Please contact the store immediately.
2. This product is for home use only and not intended for commercial establishments.

HARDWARE IDENTIFICATION

Z-B2 (BOX 2) - HARDWARE PACK IS LOCATED IN 203510Q (B2)

1	FLAT HEAD SCREW (M4 x 32mm - RBW)		14PCS	5	LOCK WASHER (1/4" - BLK)		2PCS
2	PAN HEAD SCREW (M3.5 x 20mm - BLK)		25PCS	6	FLAT WASHER (1/4"ID x 13mm - BLK)		2PCS
3	SHORT BOLT (M6 x 35mm - BLK)		2PCS	7	SMALL ALLEN WRENCH (M4 x 65mm - BLK)		1PC
4	LONG BOLT (M6 x 50mm - BLK)		6PCS	8	BIG ALLEN WRENCH (M5 x 65mm - BLK)		1PC

NOTE:

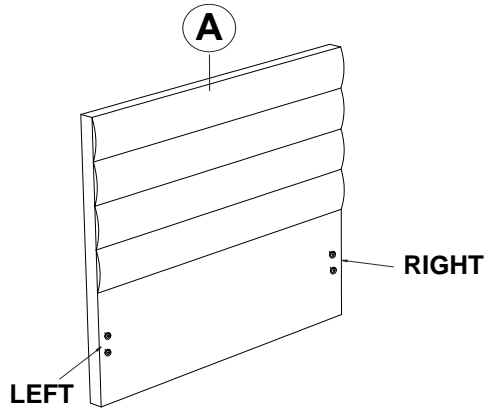
Phillips head screw driver is required in the assembly process; however, manufacturer does not provide this item.

ITEM: 203510Q (B1-B3)

ASSEMBLY INSTRUCTIONS



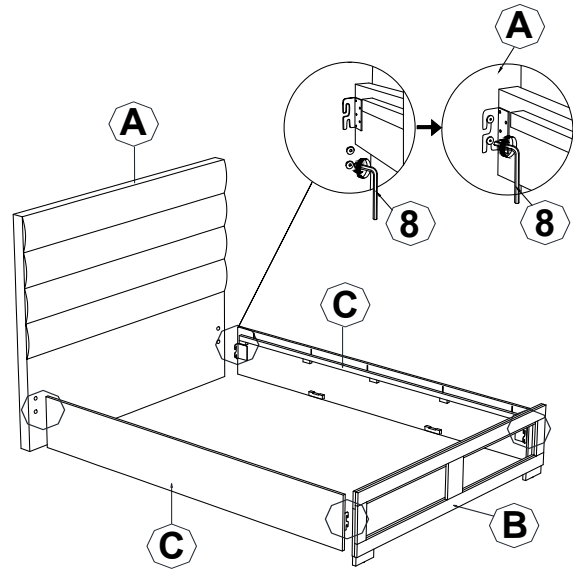
STEP 1



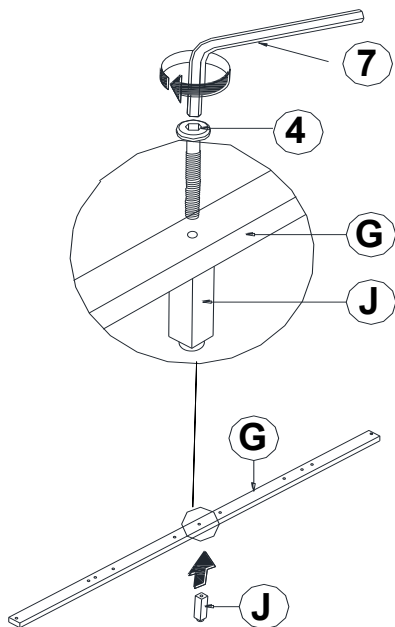
****FRONT VIEW****

Note : Please take note of the marking sticker (L&R) on the leg.

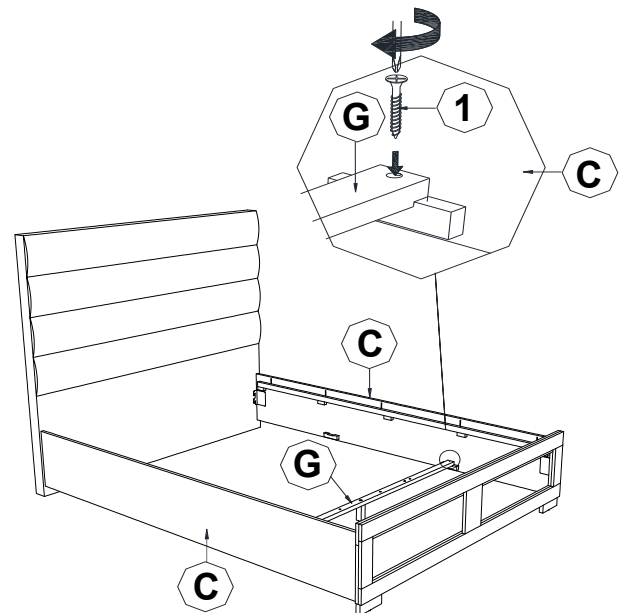
STEP 2



STEP 3



STEP 4

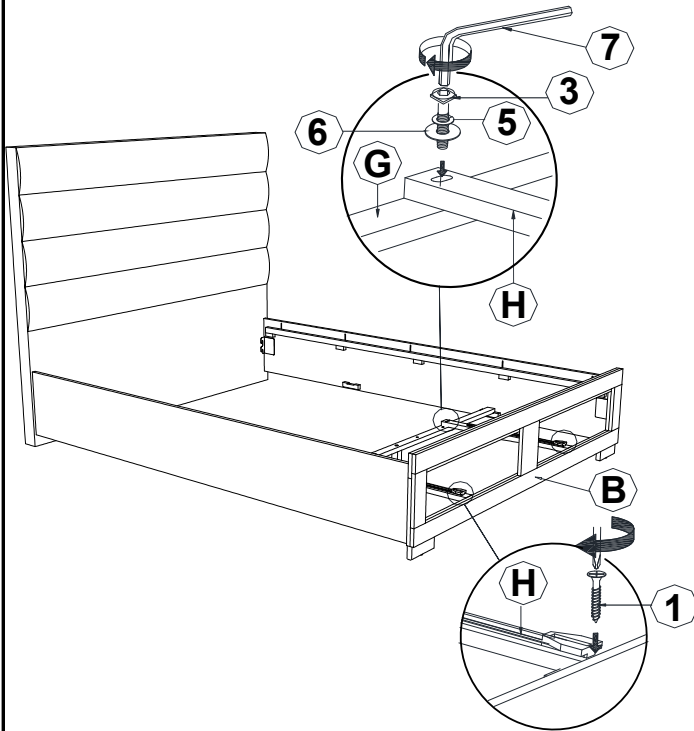


ITEM: 203510Q (B1-B3)

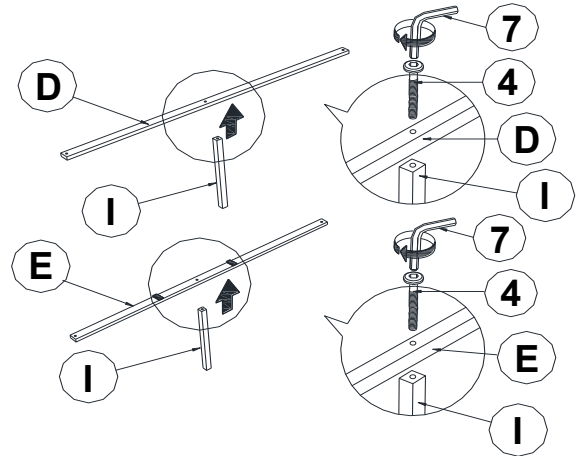
ASSEMBLY INSTRUCTIONS



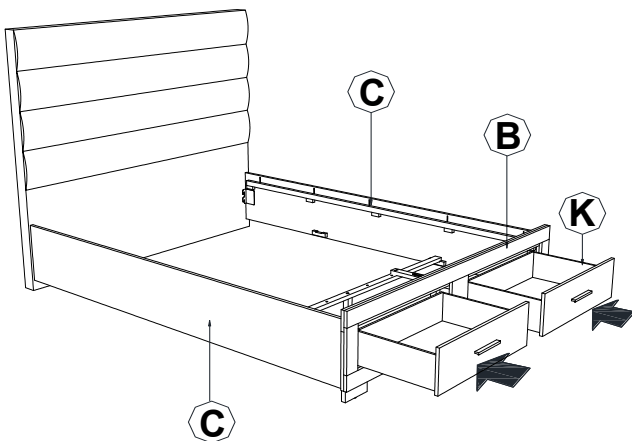
STEP 5



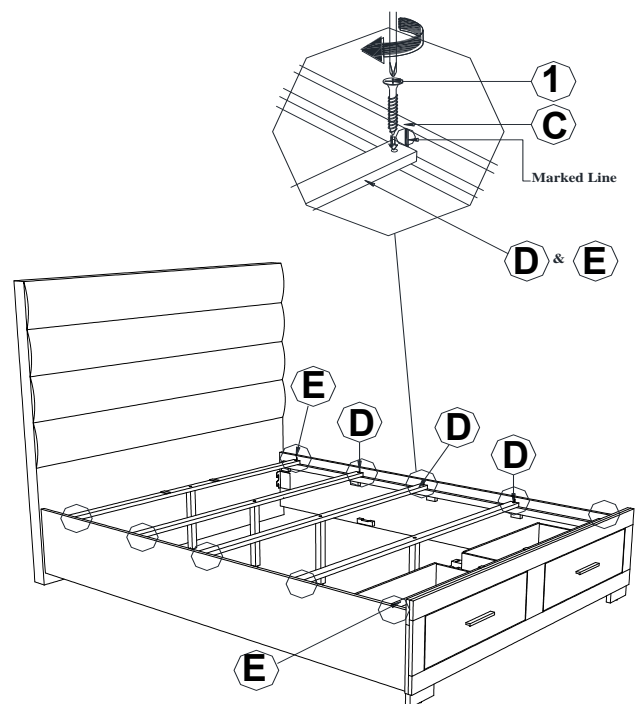
STEP 6



STEP 7



STEP 8

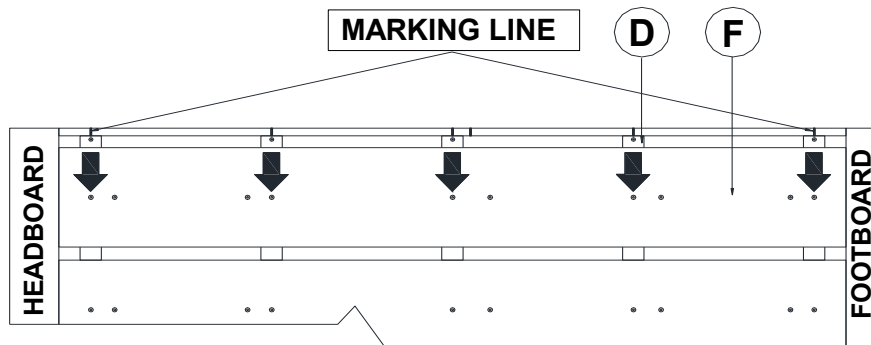


ITEM: 203510Q (B1-B3)

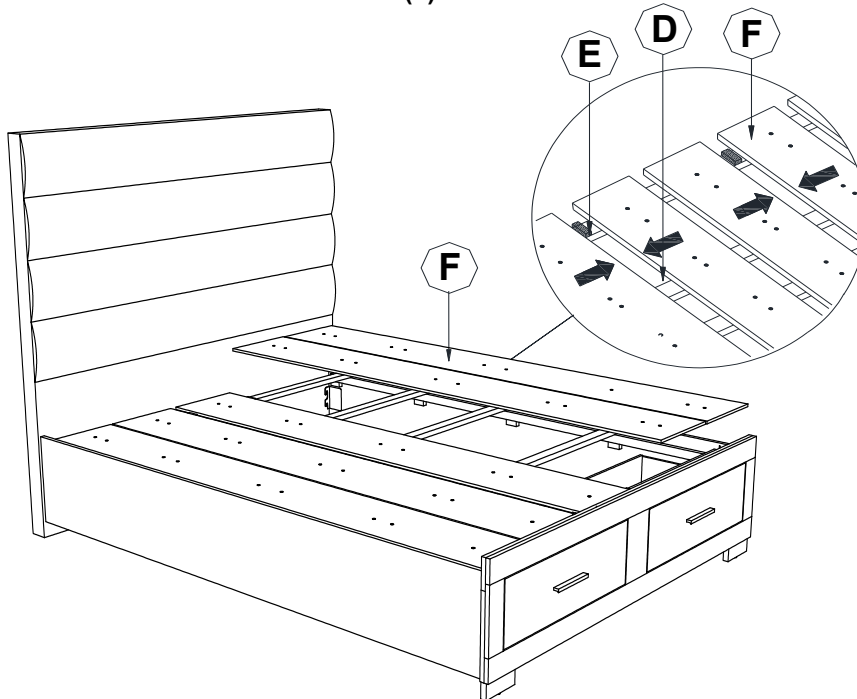
ASSEMBLY INSTRUCTIONS



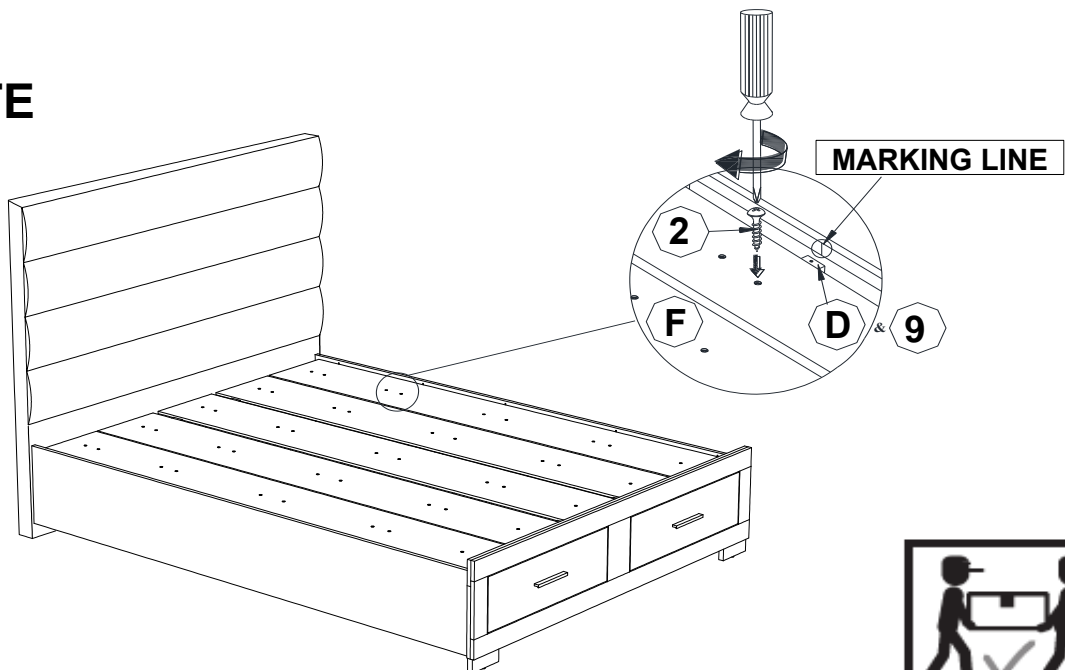
STEP 9



TIGHTEN THE PAN HEAD SCREW (2) BY FOLLOW THE ARROW AS SHOWN



STEP 10 COMPLETE

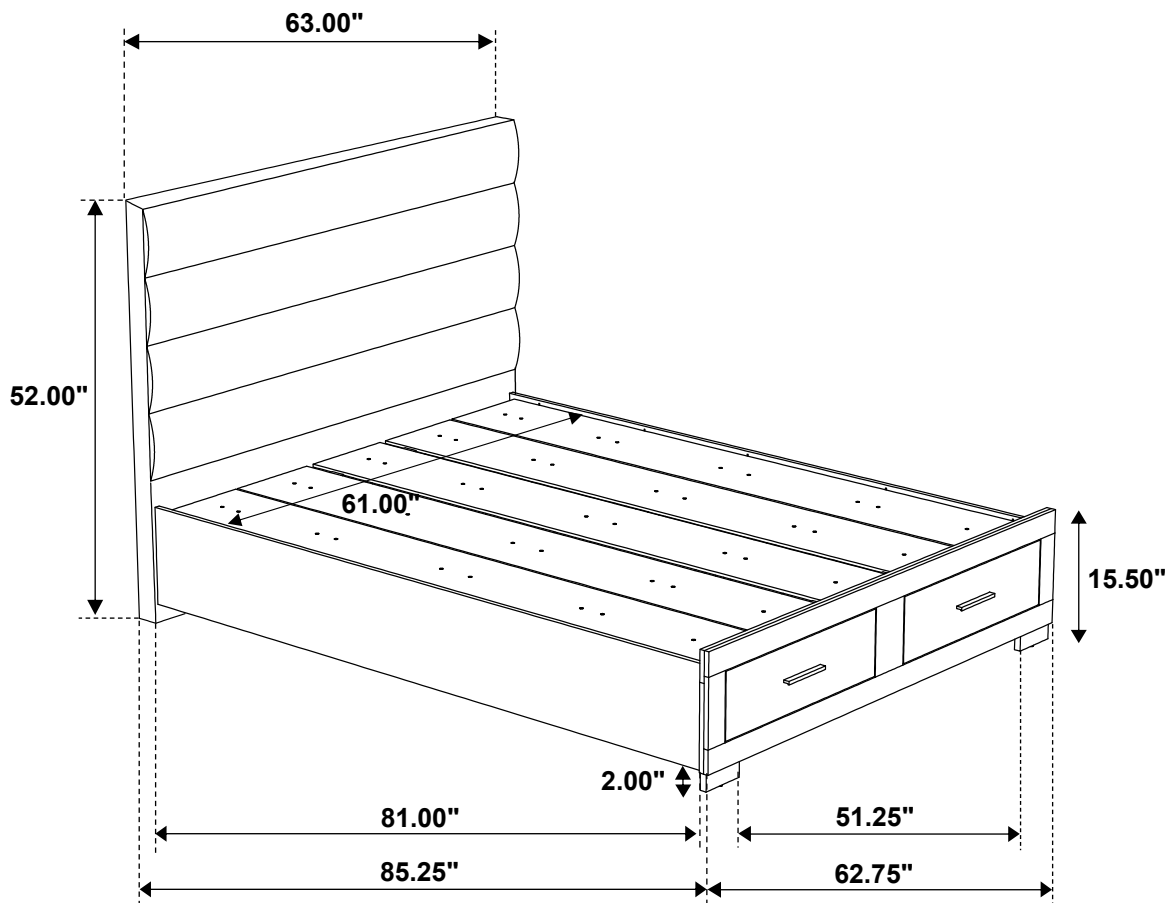


ITEM: 203510Q (B1-B3)



Inner Size of Bed: 61.00"W X 81.00"D

Inner Size of Drawer : 23.25"W X 15.00"D X 5.00"H X 0.25"T



Note: Dimension tolerance $\pm 5\%$