



ASSEMBLY INSTRUCTIONS COASTER FINE FURNITURE



Fine Furniture for every stage of life

205131KE (B1-B3) Eastern King Bed

REVISION 0 : 08/17/2018
REVISION 1 : 12/04/2019
REVISION 2 : 08/04/2020

PAGE 1 OF 9

COASTERFURNITURE.COM

ITEM: 205131KE (B1-B3)



ASSEMBLY INSTRUCTIONS

ASSEMBLY TIPS:

1. Remove hardware from box and sort by size.
2. Please check to see that all hardware and parts are present prior to start of assembly.
3. Please follow attached instructions in the same sequence as numbered to assure fast & easy assembly.



WARNING!

1. Don't attempt to repair or modify parts that are broken or defective. Please contact the store immediately.
2. This product is for home use only and not intended for commercial establishments.




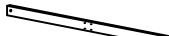


ASSEMBLY TIME

35 MINUTES

PARTS IDENTIFICATION




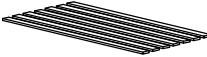

B1 (BOX 1)

AM	HEADBOARD PANEL		1PC
BM	LEFT HEADBOARD LEG		1PC
CM	RIGHT HEADBOARD LEG		1PC
DM	HEADBOARD BOTTOM RAIL		1PC

B2 (BOX 2)

EM	FOOTBOARD PANEL		1PC
FM	FOOTBOARD LEG		2PCS

B3 (BOX 3)

GM	BED RAIL		2PCS
HM	CENTER RAIL		1PC
IM	CENTER RAIL SUPPORT WITH LEVELER		2PCS
JM	ROLL SLAT (7PCS)		2SETS
KM	BED SLAT SUPPORT WITH LEVELER		8PCS

ITEM: 205131KE (B1-B3)



ASSEMBLY INSTRUCTIONS

ASSEMBLY TIPS:

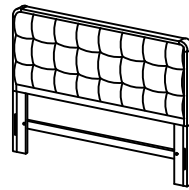
1. Remove hardware from box and sort by size.
2. Please check to see that all hardware and parts are present prior to start of assembly.
3. Please follow attached instructions in the same sequence as numbered to assure fast & easy assembly.



WARNING!

1. Don't attempt to repair or modify parts that are broken or defective. Please contact the store immediately.
2. This product is for home use only and not intended for commercial establishments.

HB **205131KE (B1)**
FROM BOX 1
HEADBOARD COMPLETE



1PC

FB **205131KE (B2)**
FROM BOX 2
FOOTBOARD COMPLETE



1PC

ITEM: 205131KE (B1-B3)



ASSEMBLY INSTRUCTIONS

ASSEMBLY TIPS:

1. Remove hardware from box and sort by size.
2. Please check to see that all hardware and parts are present prior to start of assembly.
3. Please follow attached instructions in the same sequence as numbered to assure fast & easy assembly.


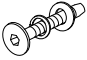
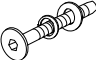
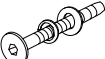







WARNING!

1. Don't attempt to repair or modify parts that are broken or defective. Please contact the store immediately.
2. This product is for home use only and not intended for commercial establishments.

HARDWARE IDENTIFICATION

Z-B3 (BOX 3) - HARDWARE PACK IS LOCATED IN 205131KE (B3)

1	ALLEN WRENCH (M4 x 110mm - BLK)		1PC
2	SHORT BOLT WITH WASHER (M6 x 25mm - BLK)		8PCS
3	MEDIUM BOLT WITH WASHER (M6 x 45mm - BLK)		12PCS
4	LONG BOLT WITH WASHER (M6 x 60mm - BLK)		4PCS
5	SHORT FLAT HEAD SCREW (M4 x 20mm - BLK)		8PCS
6	LONG FLAT HEAD SCREW (#8 x1 1/8" - BLK)		28PCS
7	HEX NUT (M6 - RBW)		2PCS
8	U BRACKET (26 x 63 x 70mm - RBW)		2PCS
9	WRENCH (2 x 24.5 x 85 - RBW)		1PC

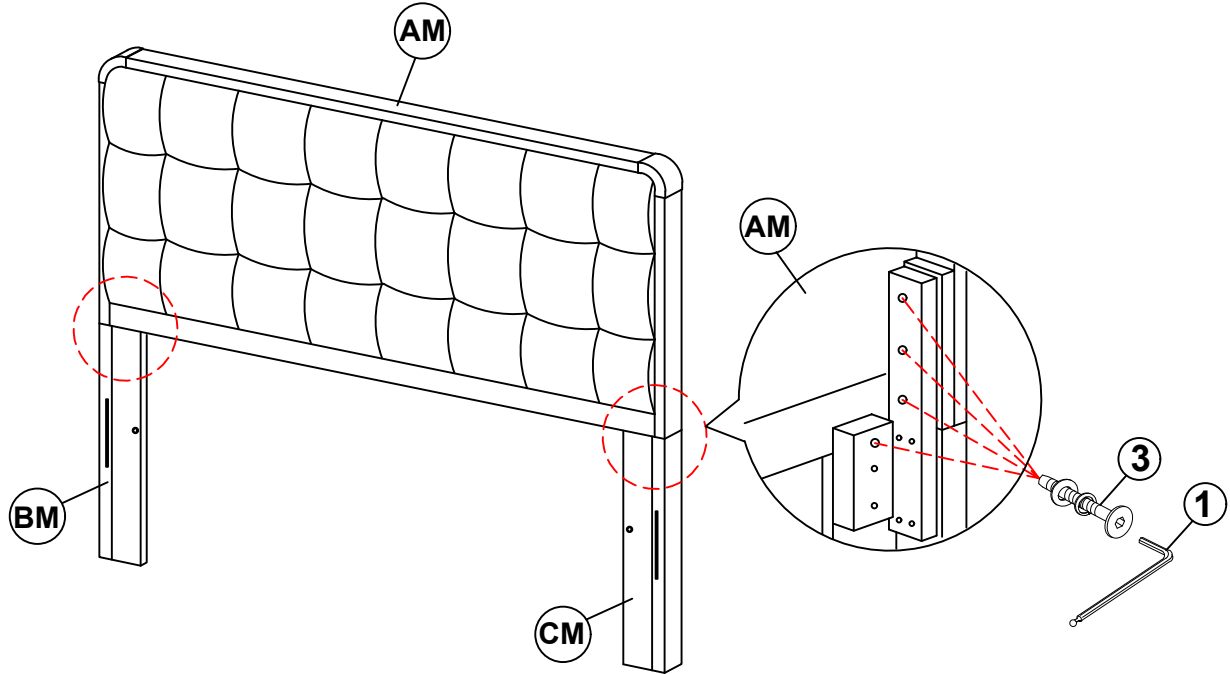
NOTE:

Phillips head screw driver is required in the assembly process; however, manufacturer does not provide this item.

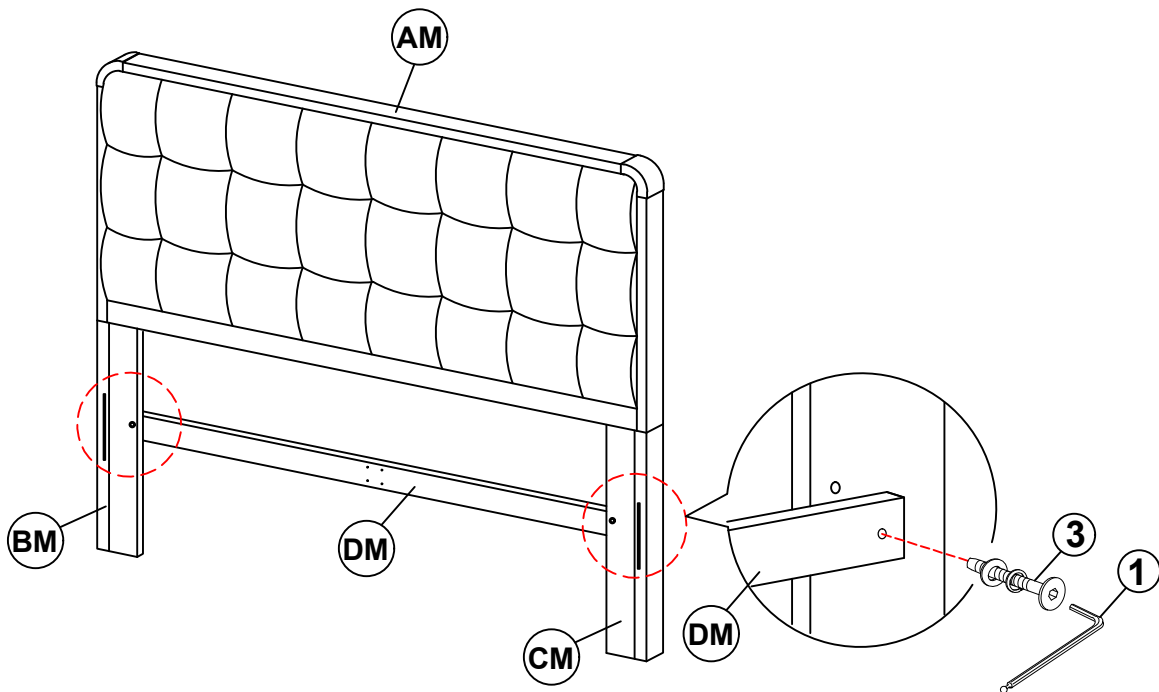
ITEM: 205131KE (B1-B3)

ASSEMBLY INSTRUCTIONS

STEP 1



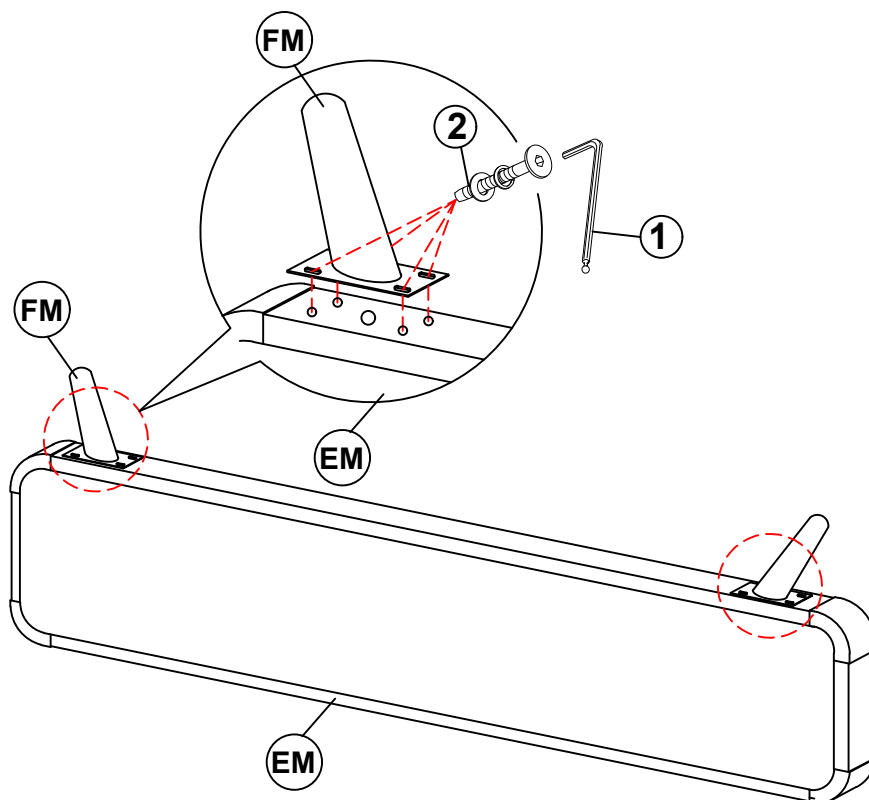
STEP 2



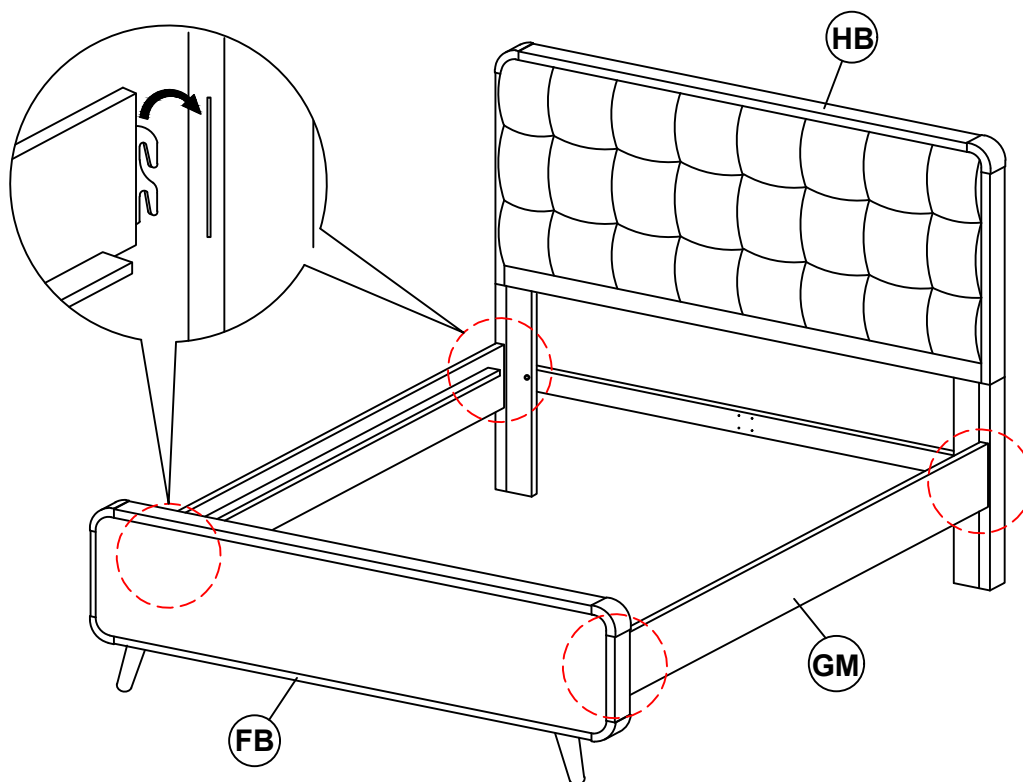
ITEM: 205131KE (B1-B3)

ASSEMBLY INSTRUCTIONS

STEP 3



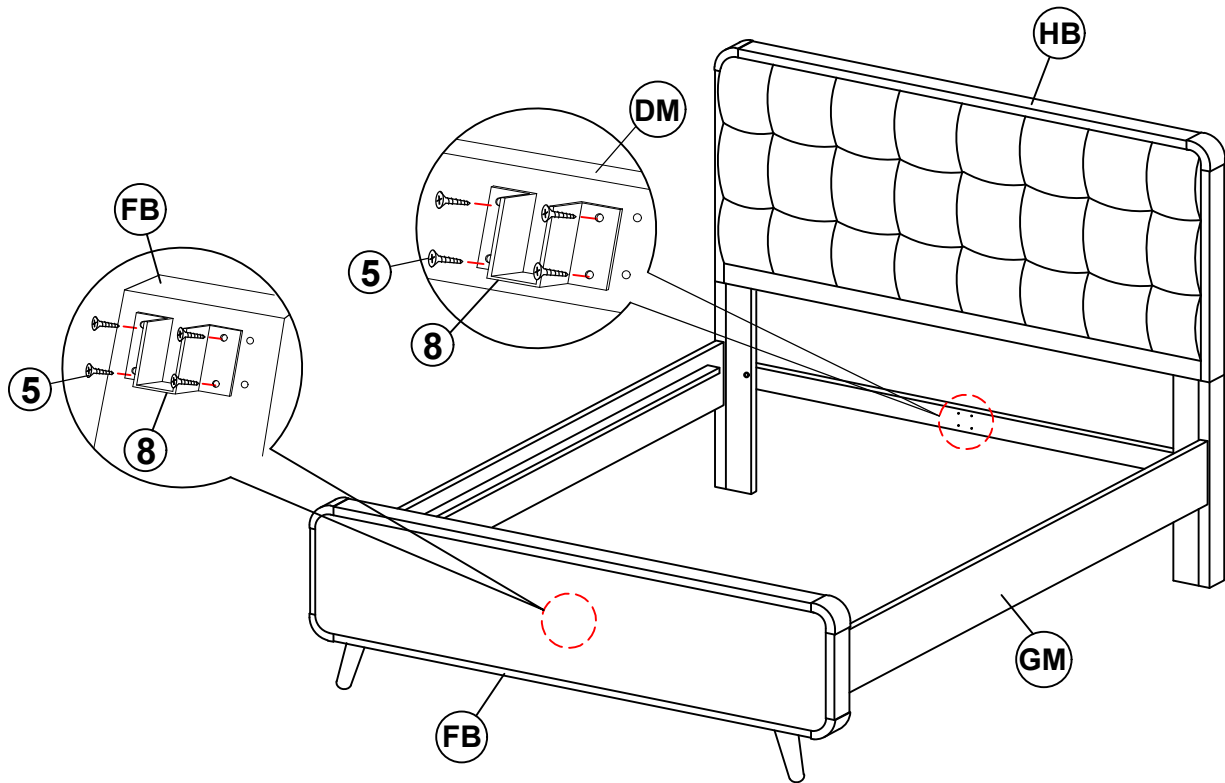
STEP 4



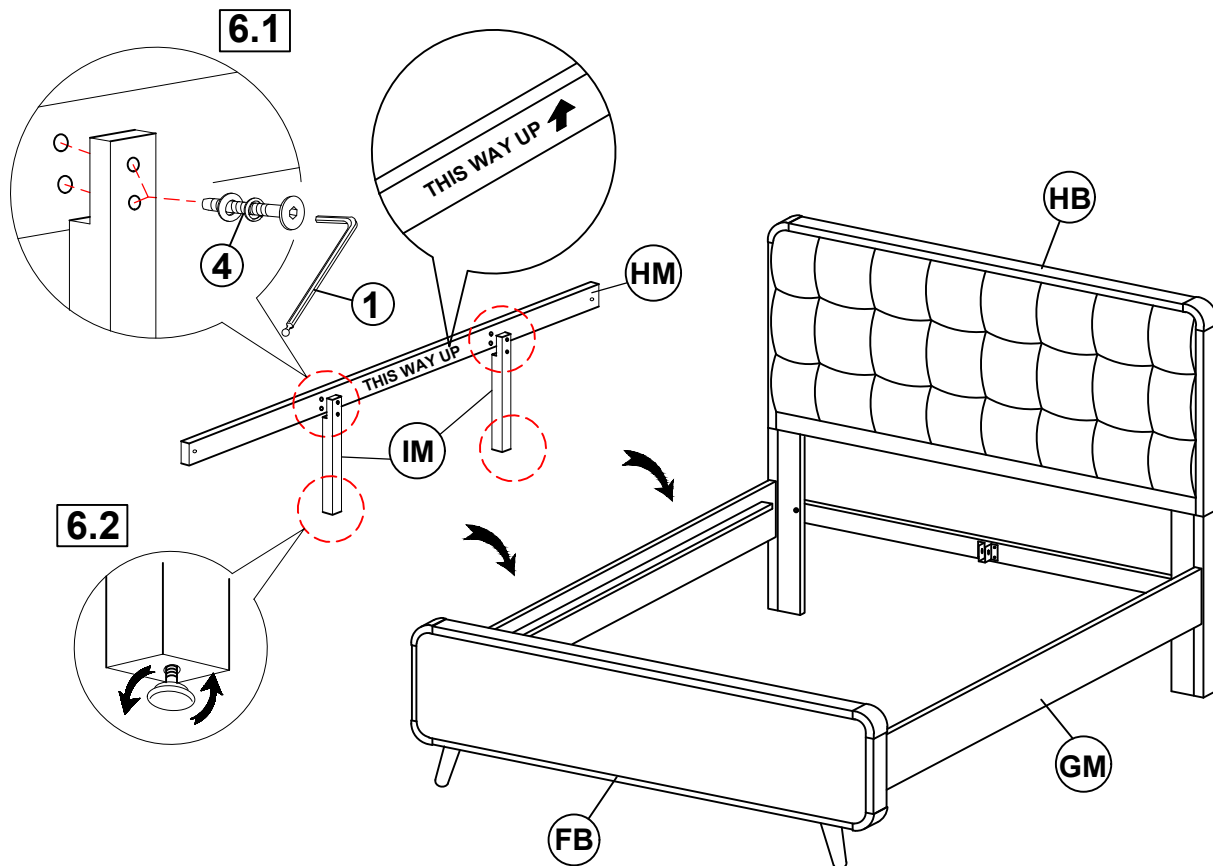
ITEM: 205131KE (B1-B3)



ASSEMBLY INSTRUCTIONS STEP 5

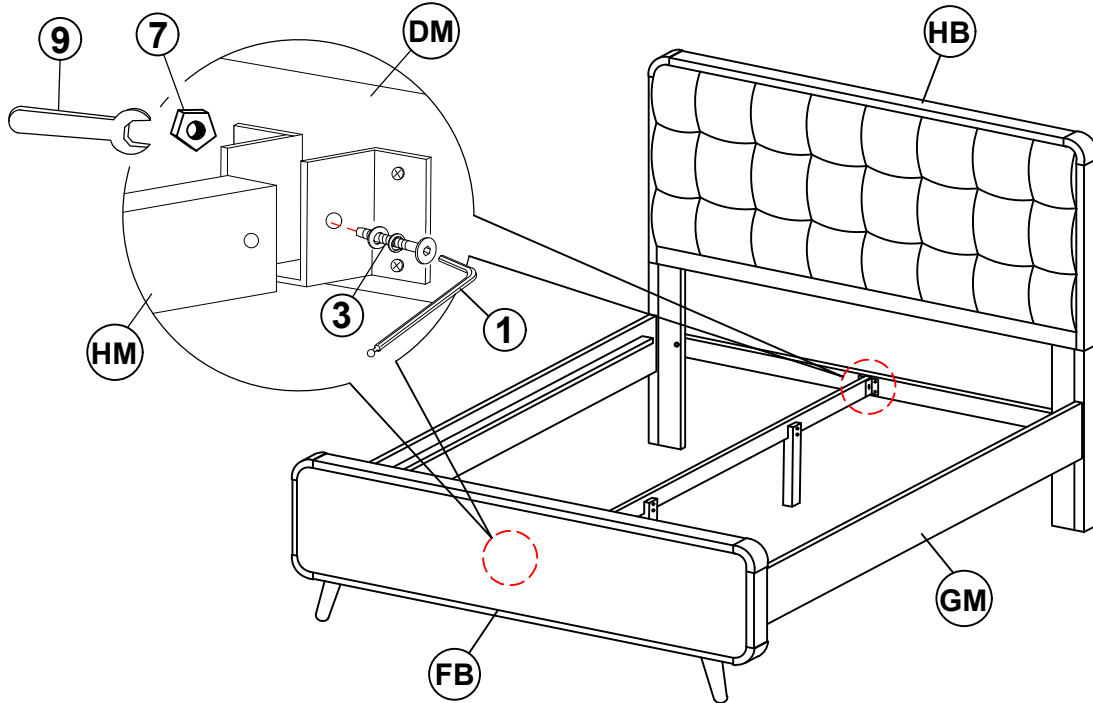


STEP 6

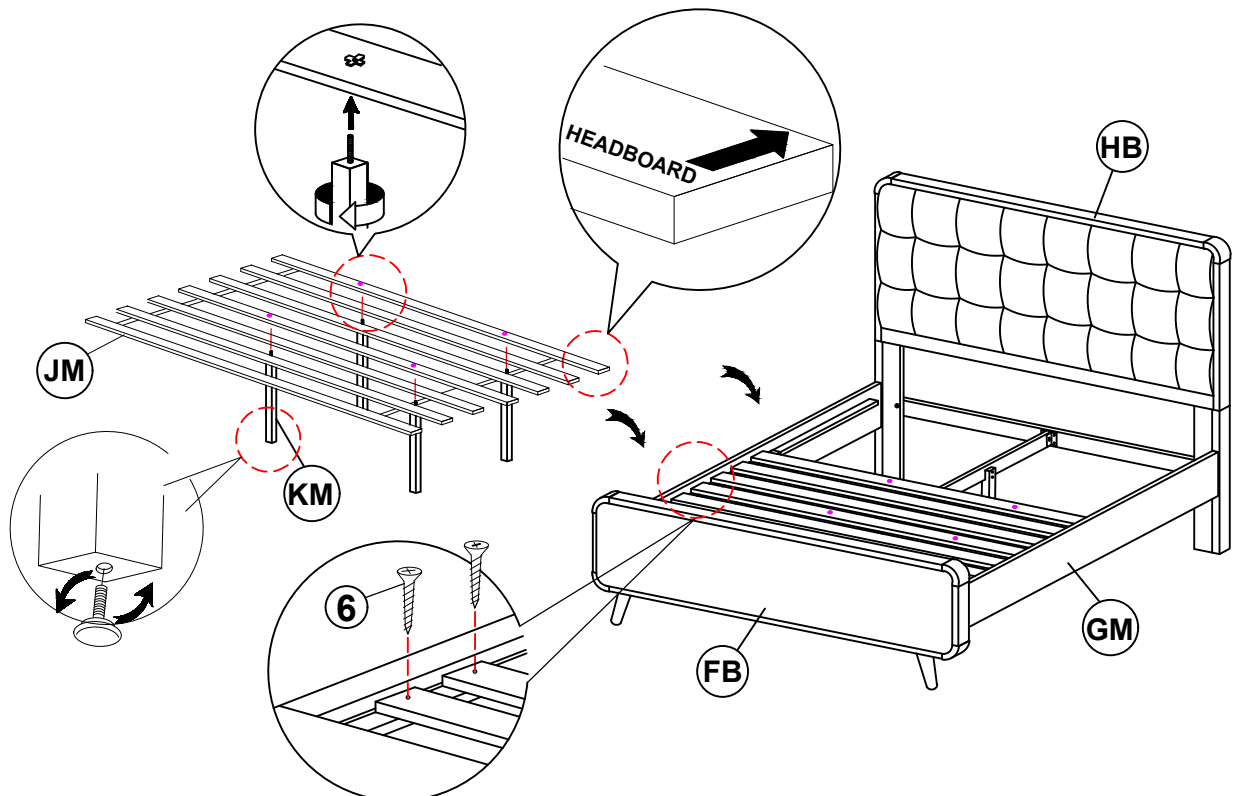


ITEM: 205131KE (B1-B3)

ASSEMBLY INSTRUCTIONS STEP 7



STEP 8



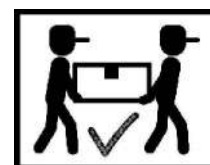
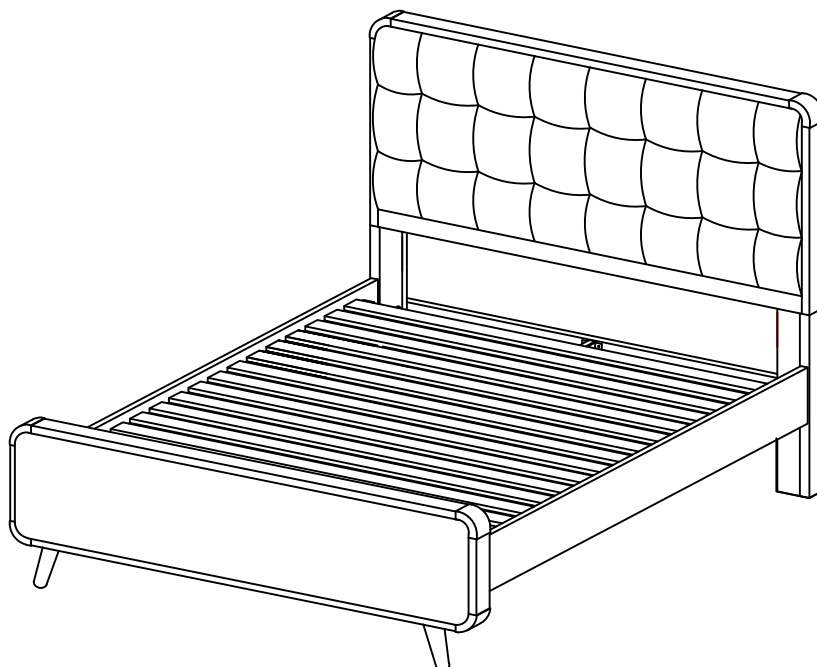
ITEM: **205131KE (B1-B3)**



ASSEMBLY INSTRUCTIONS

STEP 9

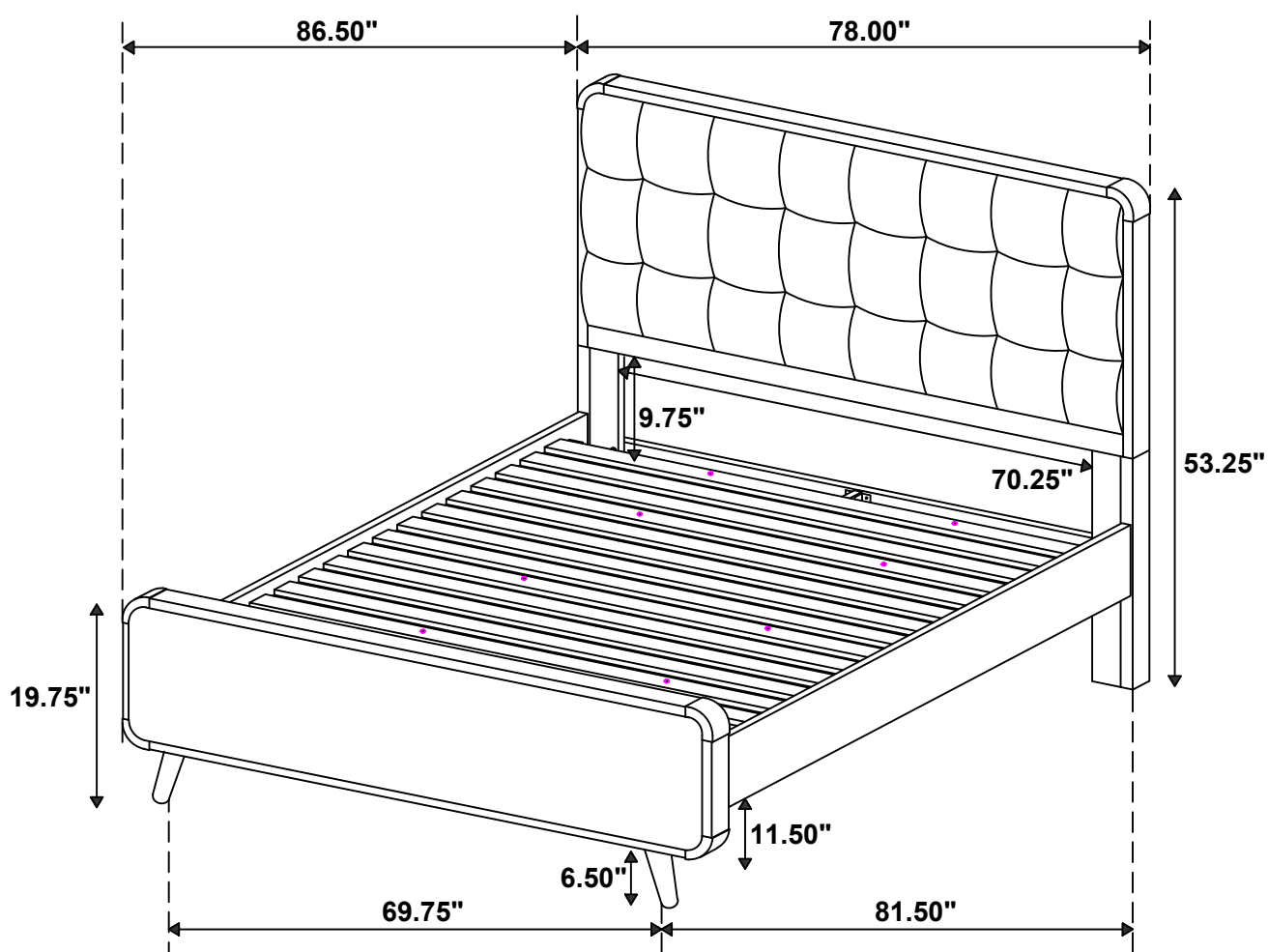
COMPLETE



ITEM: 205131KE (B1-B3)



Inner Size : 76.00"W x 81.00"D



Note: Dimension tolerance $\pm 5\%$