



# ASSEMBLY INSTRUCTIONS COASTER FINE FURNITURE



*Fine Furniture for every stage of life*

## 205131Q (B1-B3) *Queen Bed*

REVISION 0 : 08/17/2018  
REVISION 1 : 12/04/2019  
REVISION 2 : 08/04/2020

PAGE 1 OF 9

COASTERFURNITURE.COM

# ITEM: 205131Q (B1-B3)



## ASSEMBLY INSTRUCTIONS

### ASSEMBLY TIPS:

1. Remove hardware from box and sort by size.
2. Please check to see that all hardware and parts are present prior to start of assembly.
3. Please follow attached instructions in the same sequence as numbered to assure fast & easy assembly.



### WARNING!

1. Don't attempt to repair or modify parts that are broken or defective. Please contact the store immediately.
2. This product is for home use only and not intended for commercial establishments.







ASSEMBLY TIME

35 MINUTES

## PARTS IDENTIFICATION


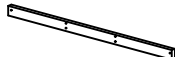


### B1 (BOX 1)

AM	HEADBOARD PANEL		1PC
BM	LEFT HEADBOARD LEG		1PC
CM	RIGHT HEADBOARD LEG		1PC
DM	HEADBOARD BOTTOM RAIL		1PC

### B2 (BOX 2)

EM	FOOTBOARD PANEL		1PC
FM	FOOTBOARD LEG		2PCS

### B3 (BOX 3)

GM	BED RAIL		2PCS
HM	CENTER RAIL		1PC
IM	CENTER RAIL SUPPORT WITH LEVELER		2PCS
JM	ROLL SLAT (7PCS)		2SETS

# ITEM: 205131Q (B1-B3)



## ASSEMBLY INSTRUCTIONS

### ASSEMBLY TIPS:

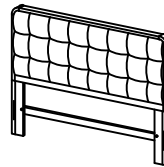
1. Remove hardware from box and sort by size.
2. Please check to see that all hardware and parts are present prior to start of assembly.
3. Please follow attached instructions in the same sequence as numbered to assure fast & easy assembly.



### WARNING!

1. Don't attempt to repair or modify parts that are broken or defective. Please contact the store immediately.
2. This product is for home use only and not intended for commercial establishments.

**HB**      **205131Q (B1)**  
**FROM BOX 1**  
**HEADBOARD COMPLETE**



**1PC**

**FB**      **205131Q (B2)**  
**FROM BOX 2**  
**FOOTBOARD COMPLETE**



**1PC**

# ITEM: 205131Q (B1-B3)



## ASSEMBLY INSTRUCTIONS

### ASSEMBLY TIPS:

1. Remove hardware from box and sort by size.
2. Please check to see that all hardware and parts are present prior to start of assembly.
3. Please follow attached instructions in the same sequence as numbered to assure fast & easy assembly.



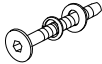
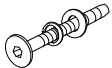







### WARNING!

1. Don't attempt to repair or modify parts that are broken or defective. Please contact the store immediately.
2. This product is for home use only and not intended for commercial establishments.

## HARDWARE IDENTIFICATION

### Z-B3 (BOX 3) - HARDWARE PACK IS LOCATED IN 205131Q (B3)

1	<b>ALLEN WRENCH</b> (M4 x 110mm - BLK)		1PC
2	<b>SHORT BOLT WITH WASHER</b> (M6 x 25mm - BLK)		8PCS
3	<b>MEDIUM BOLT WITH WASHER</b> (M6 x 45mm - BLK)		12PCS
4	<b>LONG BOLT WITH WASHER</b> (M6 x 60mm - BLK)		4PCS
5	<b>SHORT FLAT HEAD SCREW</b> (M4 x 20mm - BLK)		8PCS
6	<b>LONG FLAT HEAD SCREW</b> (#8 x1 1/8" - BLK)		28PCS
7	<b>HEX NUT</b> (M6 - RBW)		2PCS
8	<b>U BRACKET</b> (26 x 63 x 70mm - RBW)		2PCS
9	<b>WRENCH</b> (2 x 24.5 x 85 - RBW)		1PC

### NOTE:

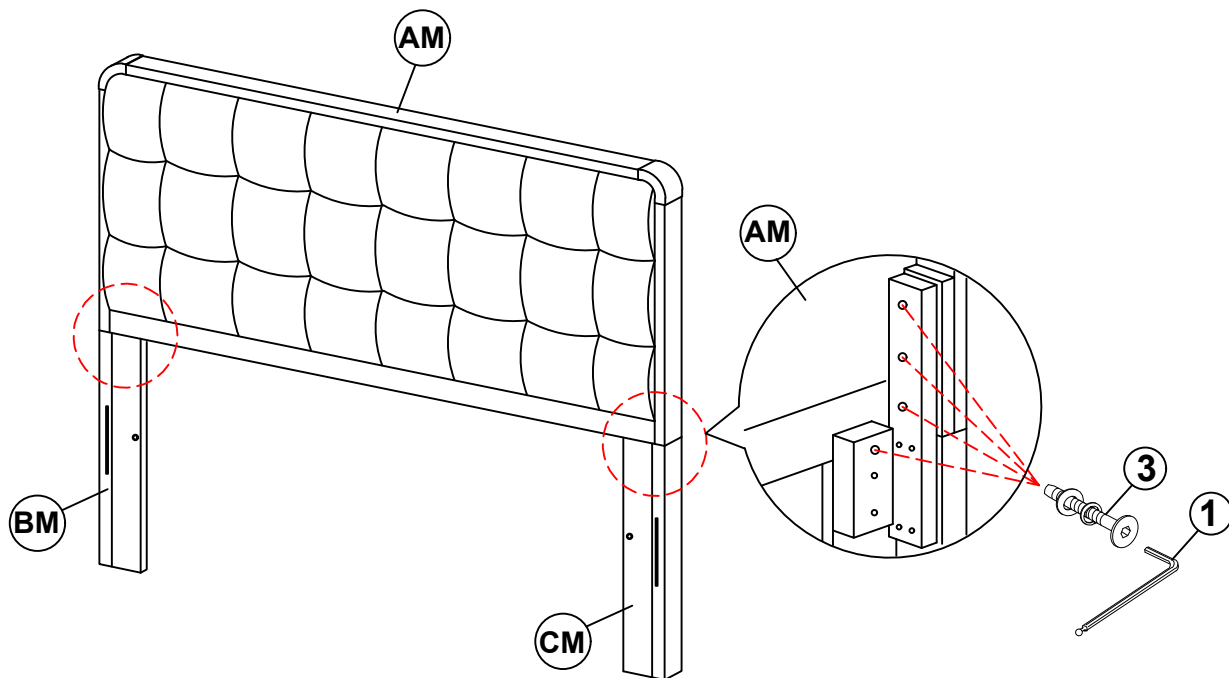
Phillips head screw driver is required in the assembly process; however, manufacturer does not provide this item.

# ITEM: 205131Q (B1-B3)

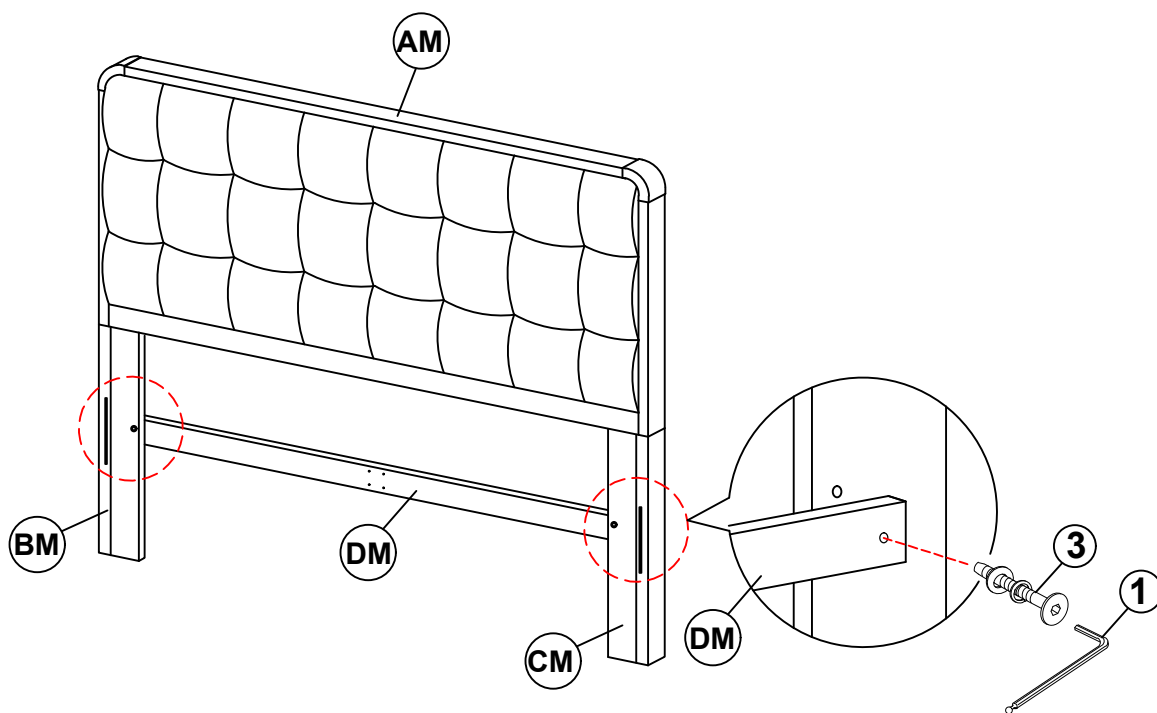


## ASSEMBLY INSTRUCTIONS

### STEP 1



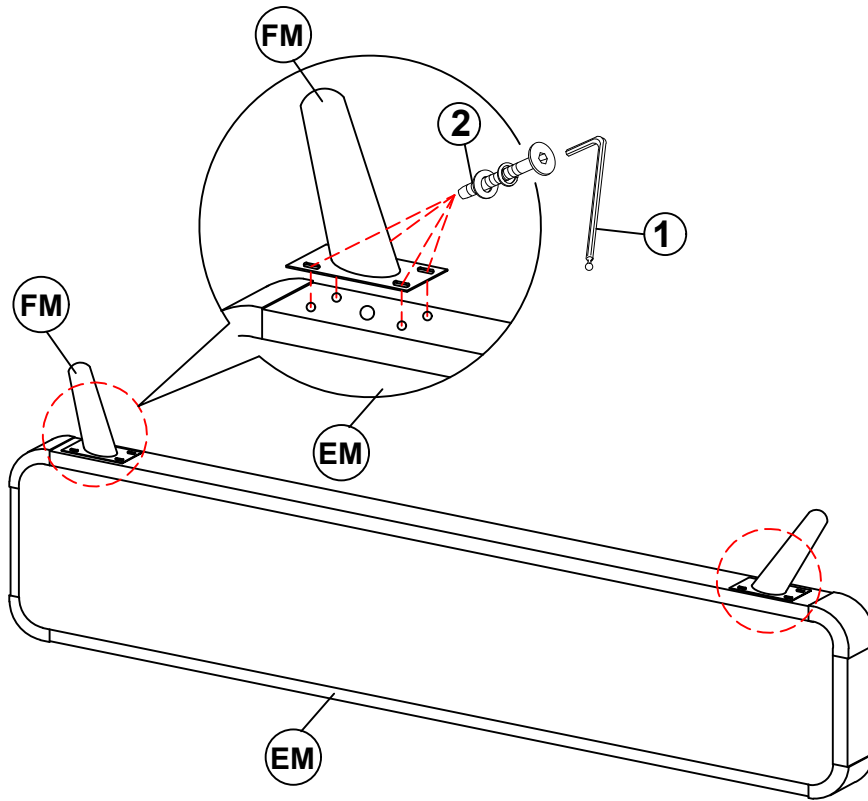
### STEP 2



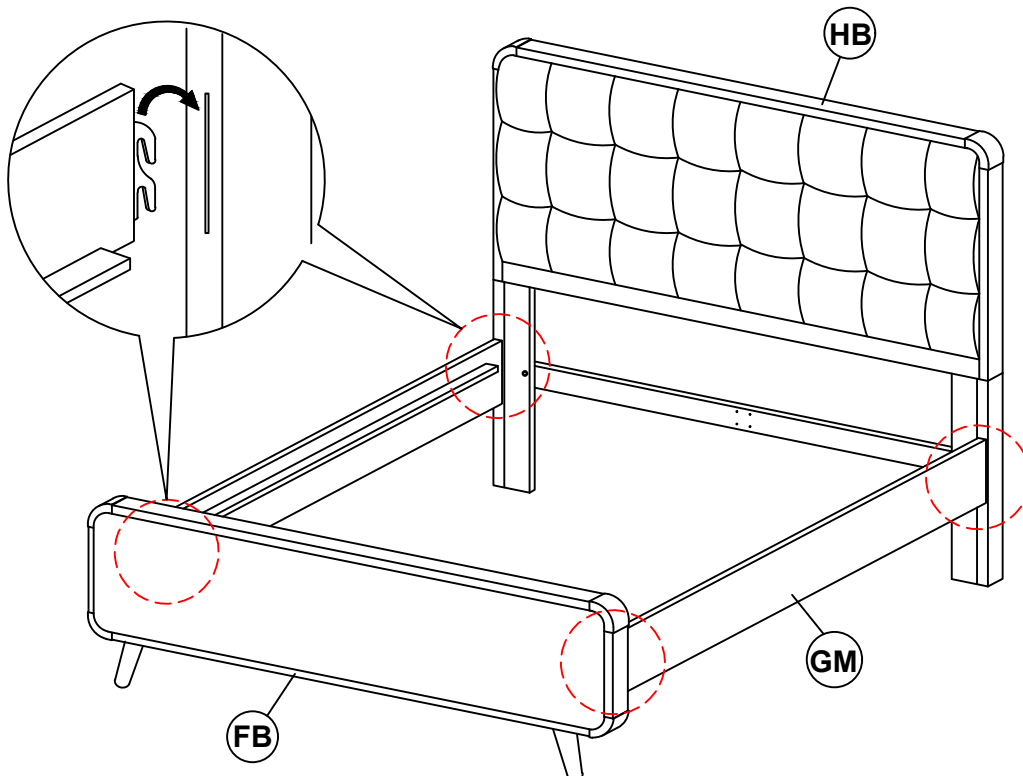
# ITEM: 205131Q (B1-B3)



## ASSEMBLY INSTRUCTIONS STEP 3

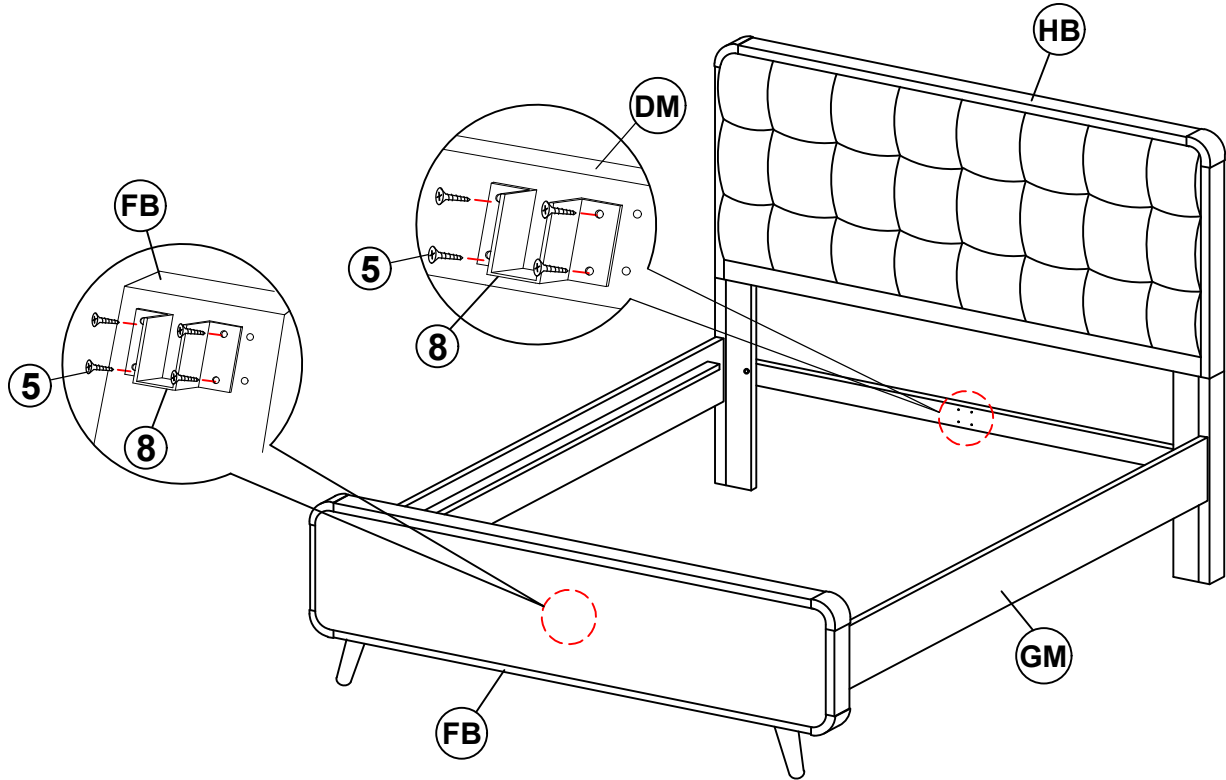


## STEP 4



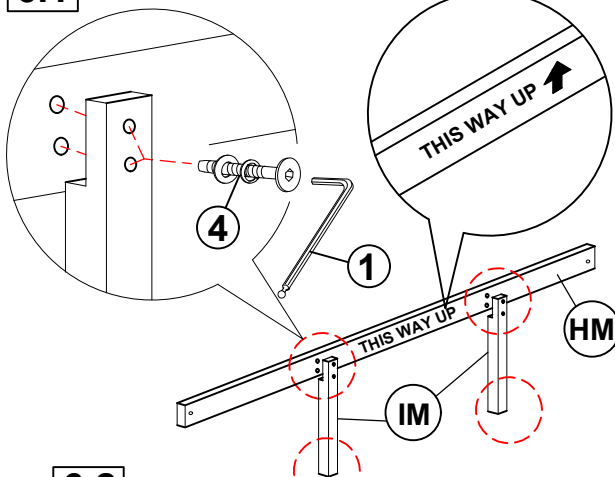
# ITEM: 205131Q (B1-B3)

## ASSEMBLY INSTRUCTIONS STEP 5

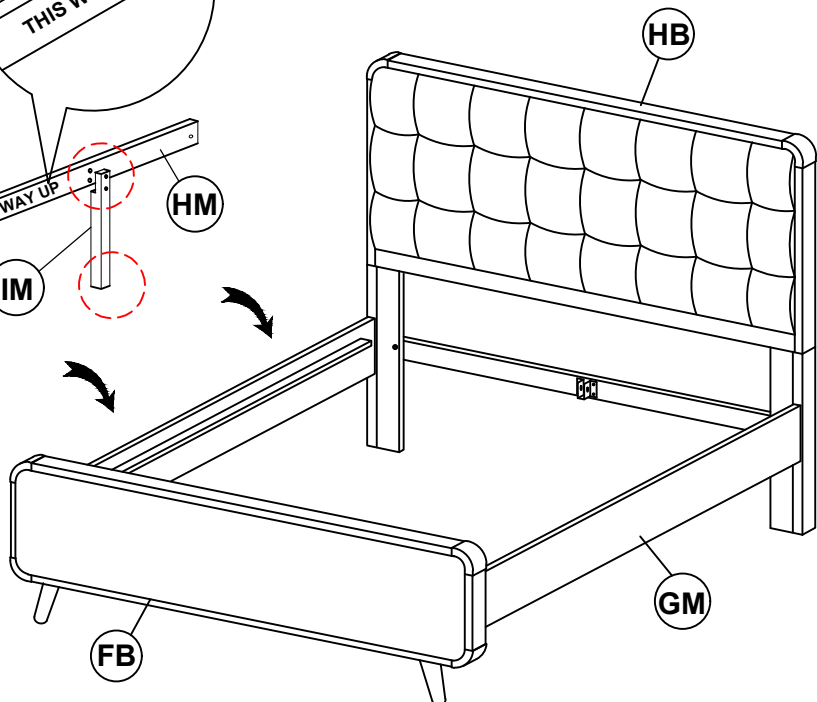
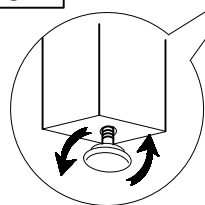


## STEP 6

6.1



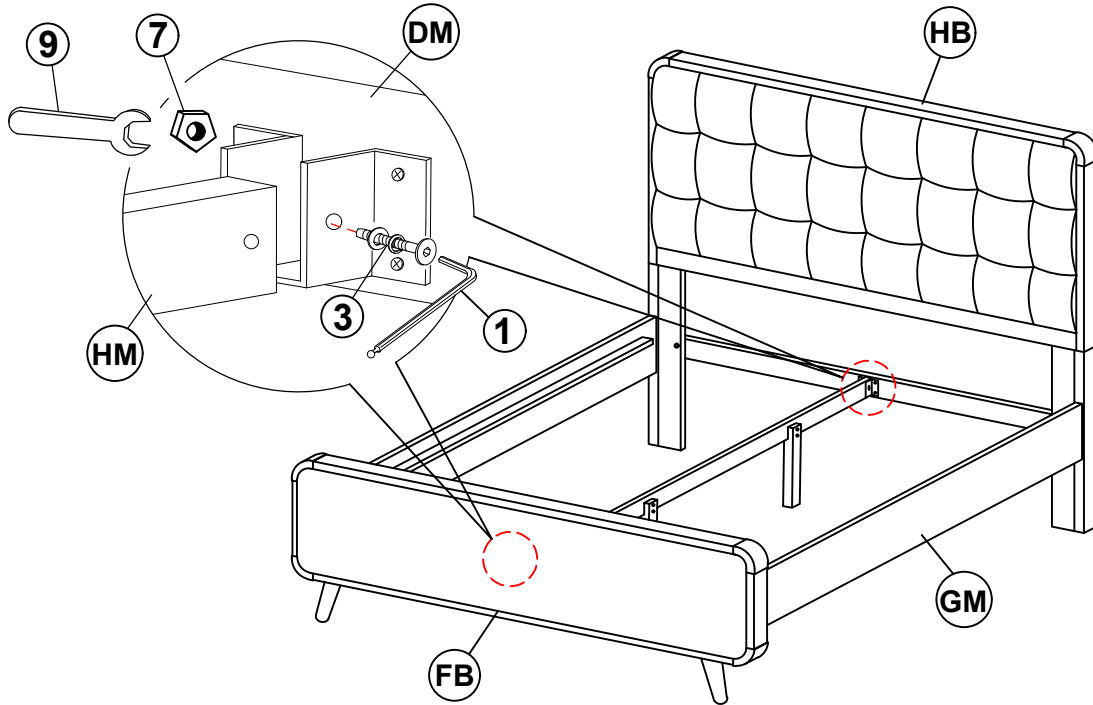
6.2



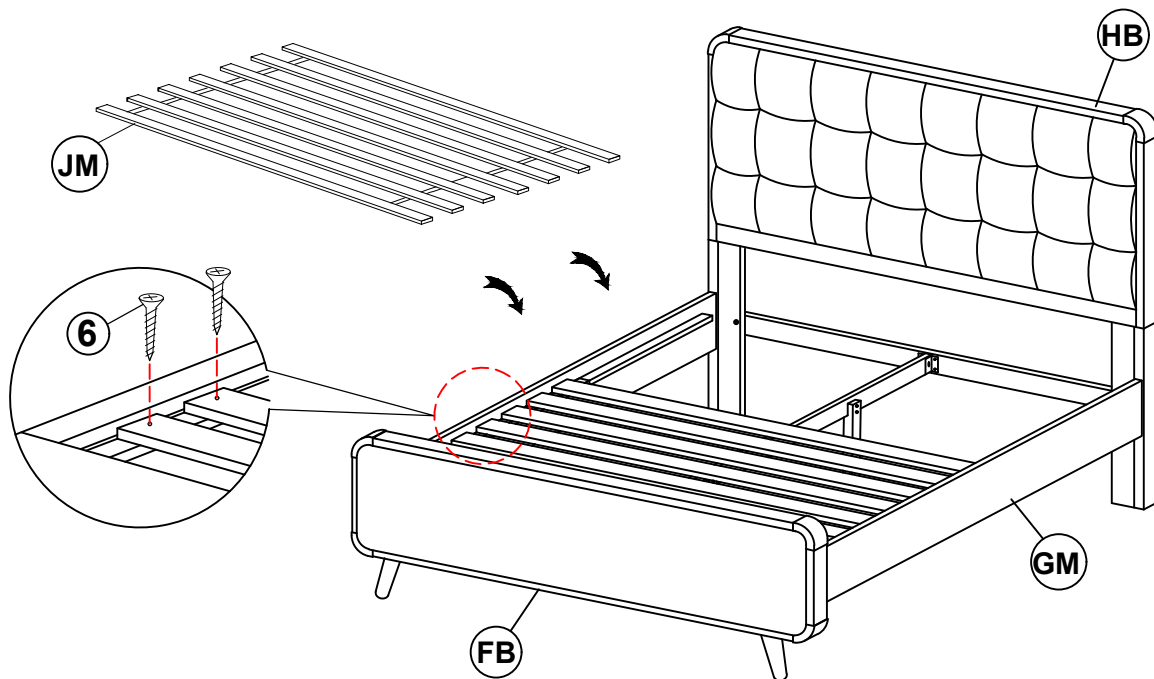
# ITEM: 205131Q (B1-B3)



## ASSEMBLY INSTRUCTIONS STEP 7



## STEP 8



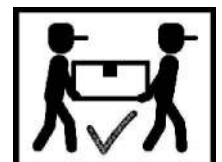
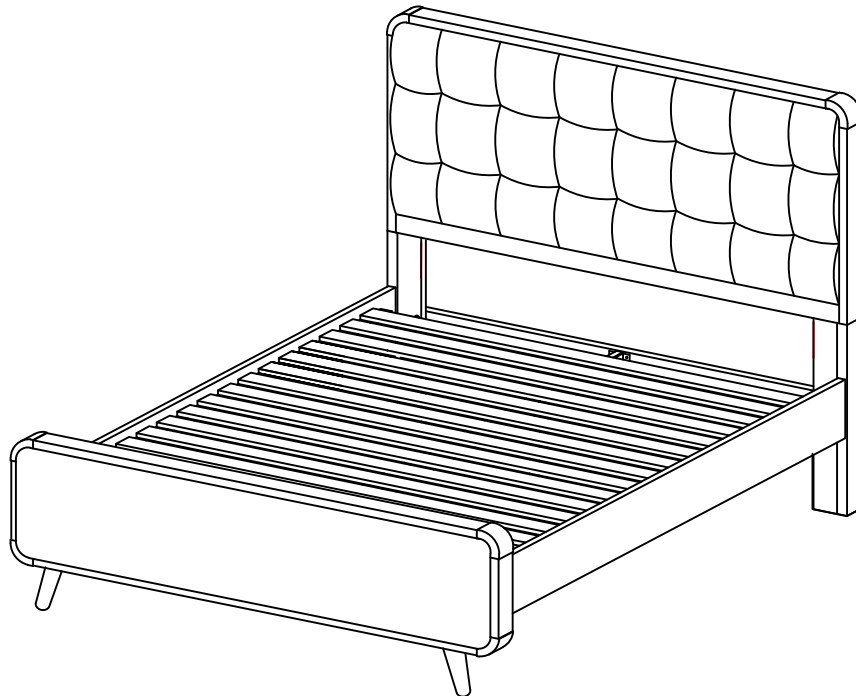
ITEM: **205131Q (B1-B3)**



**ASSEMBLY INSTRUCTIONS**

**STEP 9**

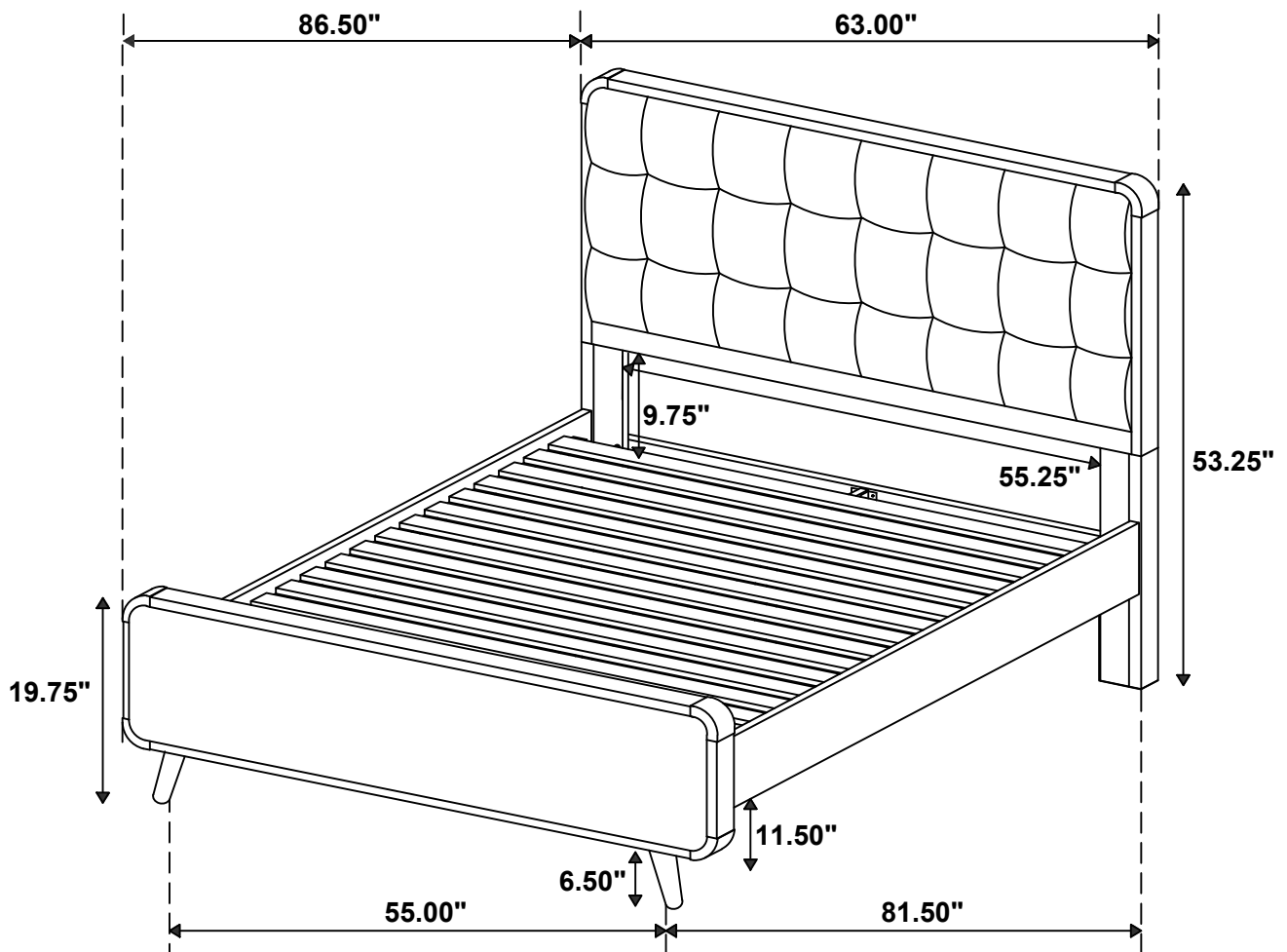
**COMPLETE**



ITEM: **205131Q (B1-B3)**



Inner Size : 61.00"W x 81.00"D



Note: Dimension tolerance  $\pm 5\%$