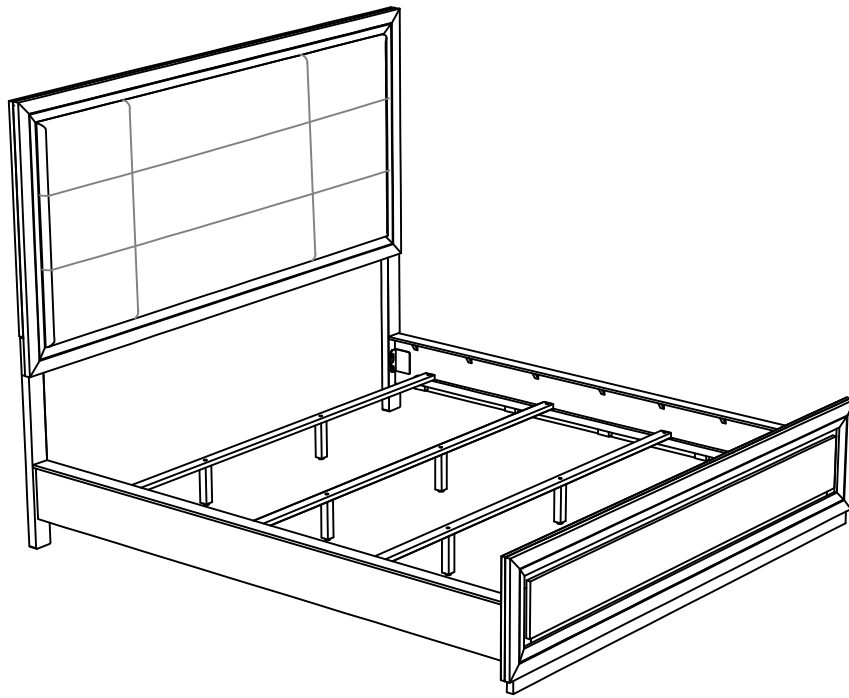


ASSEMBLY INSTRUCTIONS COASTER FINE FURNITURE



Fine Furniture for every stage of life

215971KW(B1&B2) **California King Bed**

ITEM: 215971KW(B1&B2)



ASSEMBLY INSTRUCTIONS

ASSEMBLY TIPS:

- 1.Remove hardware from box and sort by size.
- 2.Please check to see that all hardware and parts are present prior to start of assembly.
- 3.Please follow attached instructions in the same sequence as numbered to assure fast & easy assembly.



WARNING!

- 1.Don't attempt to repair or modify parts that are broken or defective. Please contact the store immediately.
- 2.This product is for home use only and not intended for commercial establishments.



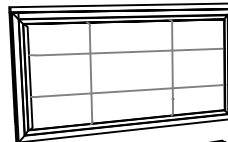
ASSEMBLY TIME

20 MINUTES

PARTS IDENTIFICATION

B1 (BOX 1)

A HEADBOARD PANEL



1PC

B FOOTBOARD



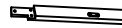
1PC

C LEFT HEADBOARD LEG



1PC

D RIGHT HEADBOARD LEG



1PC

E BED SLAT



4PCS

F BED SLAT SUPPORT WITH LEVELER



8PCS

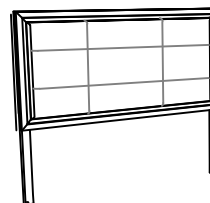
B2 (BOX 2)

G BED RAIL



2PCS

HB 215971KW(B1) FROM BOX 1
HEADBOARD COMPLETE



1PC

B 215971KW(B1) FROM BOX 1
FOOTBOARD



1PC

ITEM: 215971KW(B1&B2)



ASSEMBLY INSTRUCTIONS

ASSEMBLY TIPS:

- 1.Remove hardware from box and sort by size.
- 2.Please check to see that all hardware and parts are present prior to start of assembly.
- 3.Please follow attached instructions in the same sequence as numbered to assure fast & easy assembly.

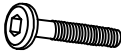



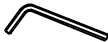




WARNING!

- 1.Don't attempt to repair or modify parts that are broken or defective. Please contact the store immediately.
- 2.This product is for home use only and not intended for commercial establishments.

HARDWARE IDENTIFICATION

Z-B1(BOX 1) - HARDWARE PACK IS LOCATED IN 215971KW(B1)

1	BOLT (M6 x 30mm - BLK)		6PCS
2	LOCK WASHER (1/4" - BLK)		6PCS
3	FLAT WASHER (1/4" x 13mm - BLK)		6PCS
4	PAN HEAD SCREW (M3.5 x 16mm - BLK)		16PCS
5	SMALL ALLEN WRENCH (M4 x 65mm - BLK)		1PC
6	BIG ALLEN WRENCH (M5 x 65mm - BLK)		1PC
7	METAL BRACKET		8PCS

NOTE:

Phillips head screw driver is required in the assembly process; however, manufacturer does not provide this item.

ITEM: 215971KW(B1&B2)

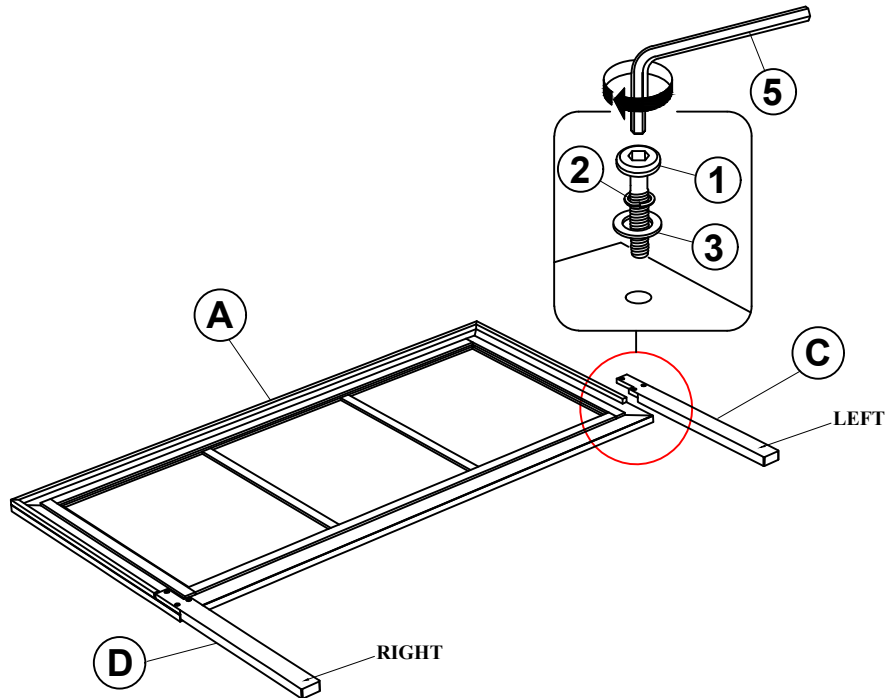
ASSEMBLY INSTRUCTIONS



STEP 1

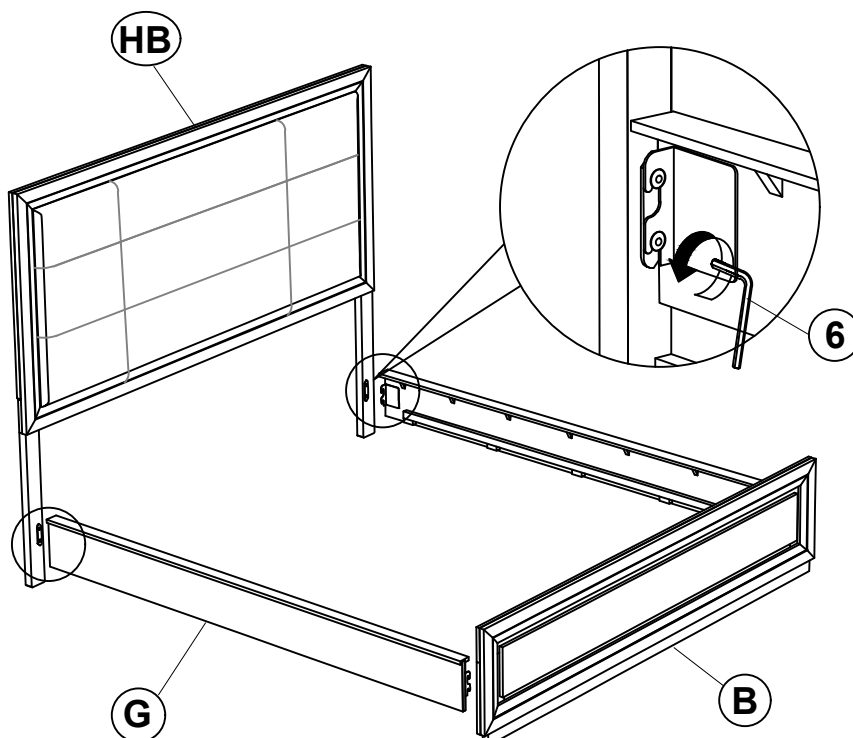
Note : Please put item on soft surface.

Please take note of the marking sticker (L&R) on the leg.



****BACK VIEW****

STEP 2

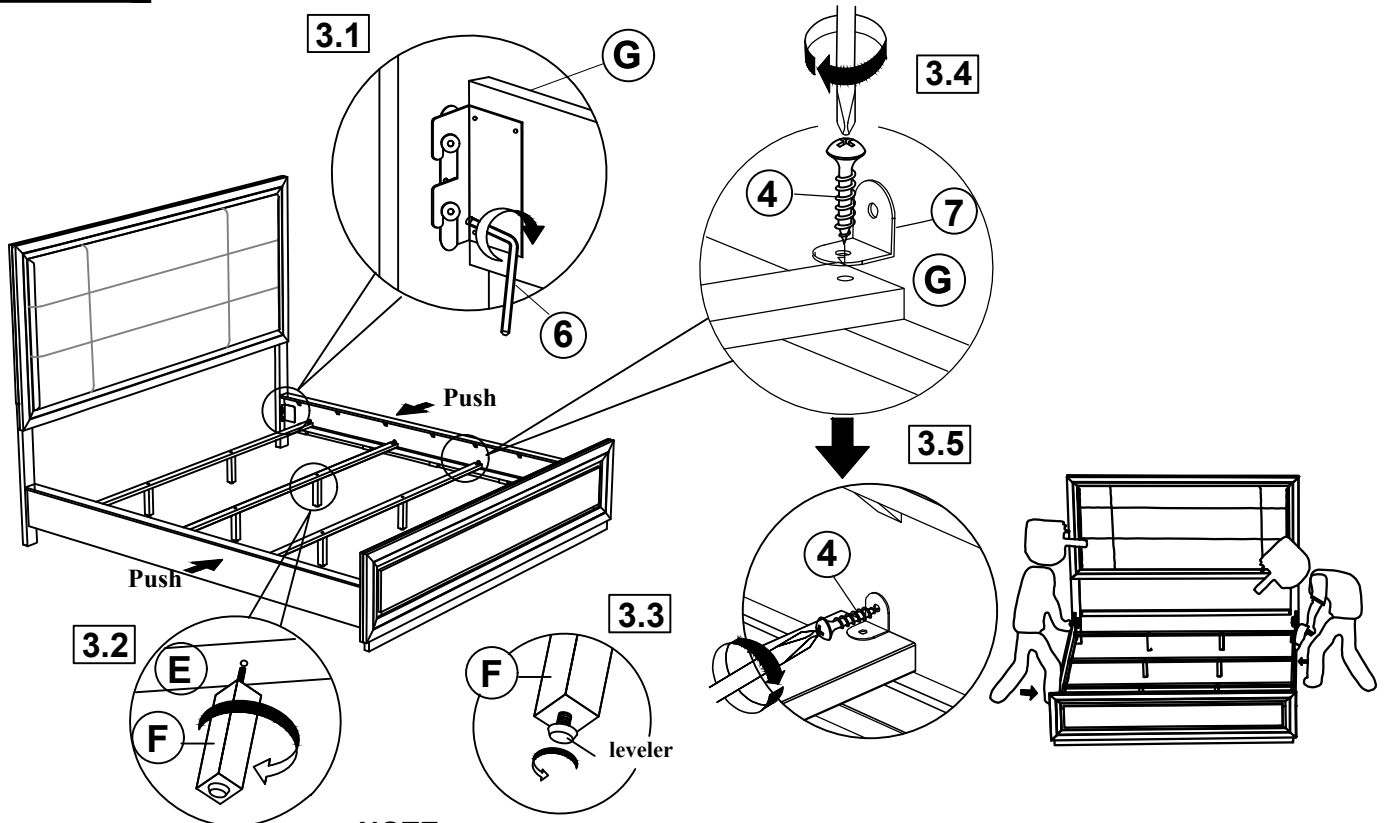


ITEM: 215971KW(B1&B2)

ASSEMBLY INSTRUCTIONS



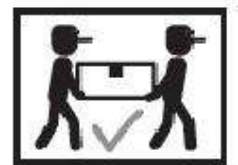
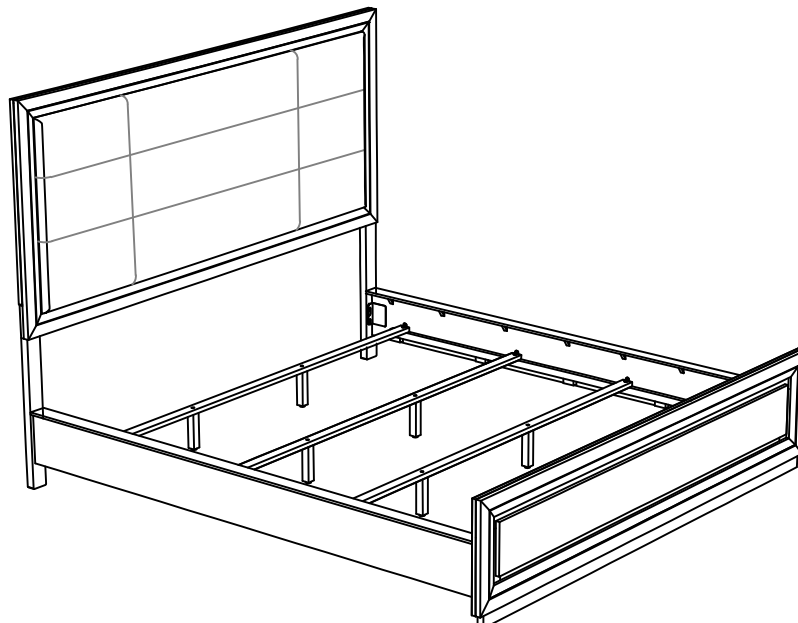
STEP 3



NOTE:

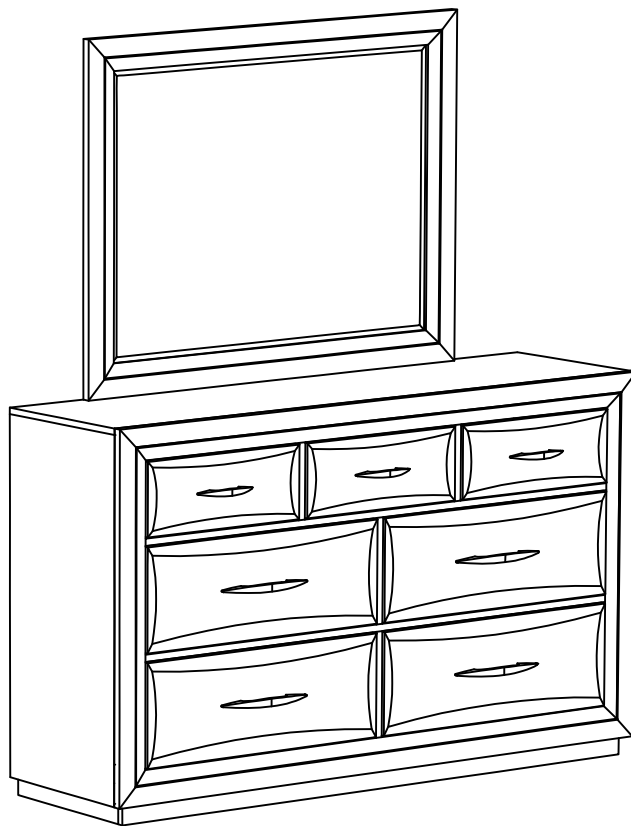
1. Push the side rail inward until the slats are flush and resting on the side rail support then fasten each slat to the side rail support using the provided screw.
2. The side rail warpage is a temporary condition, it will straighten out once the bed is fully assembled.

STEP 4 COMPLETE





ASSEMBLY INSTRUCTIONS COASTER FINE FURNITURE



Fine Furniture for every stage of life

215974
Mirror

ITEM: 215974



ASSEMBLY INSTRUCTIONS

ASSEMBLY TIPS:

1. Remove hardware from box and sort by size.
2. Please check to see that all hardware and parts are present prior to start of assembly.
3. Please follow attached instructions in the same sequence as numbered to assure fast & easy assembly.



WARNING!

1. Don't attempt to repair or modify parts that are broken or defective. Please contact the store immediately.
2. This product is for home use only and not intended for commercial establishments.



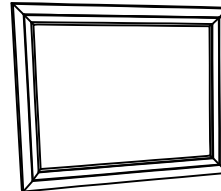
ASSEMBLY TIME

5 MINUTES

PARTS IDENTIFICATION

A MIRROR

1PC



B DRESSER FROM BOX
ITEM #215973

1PC



C MIRROR SUPPORT
(PACKED WITH DRESSER)

2PCS



HARDWARE IDENTIFICATION

1 FLAT HEAD SCREW
(M4 x 32mm - RBW)



10PCS

NOTE:

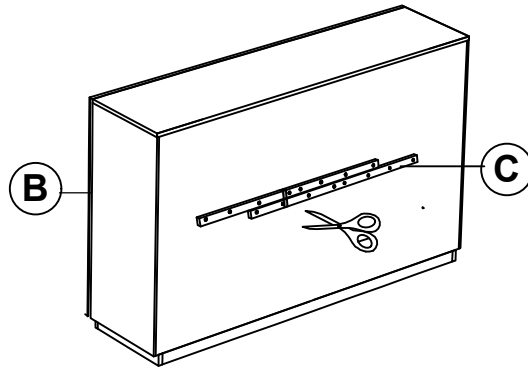
Phillips head screw driver is required in the assembly process; however, manufacturer does not provide this item.

ITEM: **215974**

ASSEMBLY INSTRUCTIONS

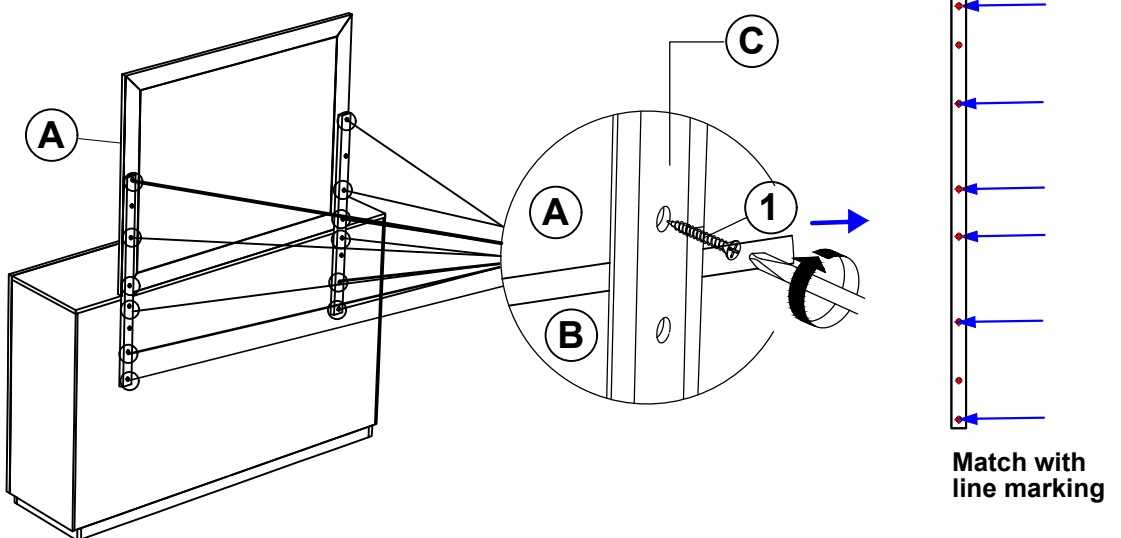


STEP 1

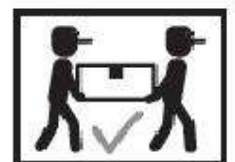
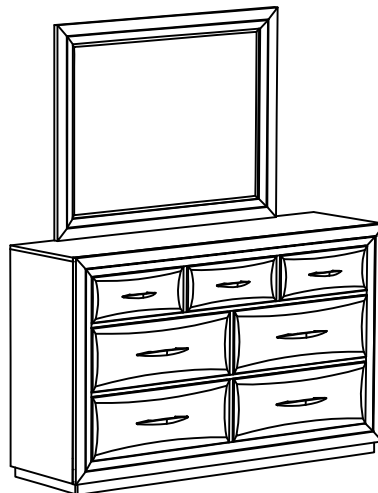


****BACK VIEW****

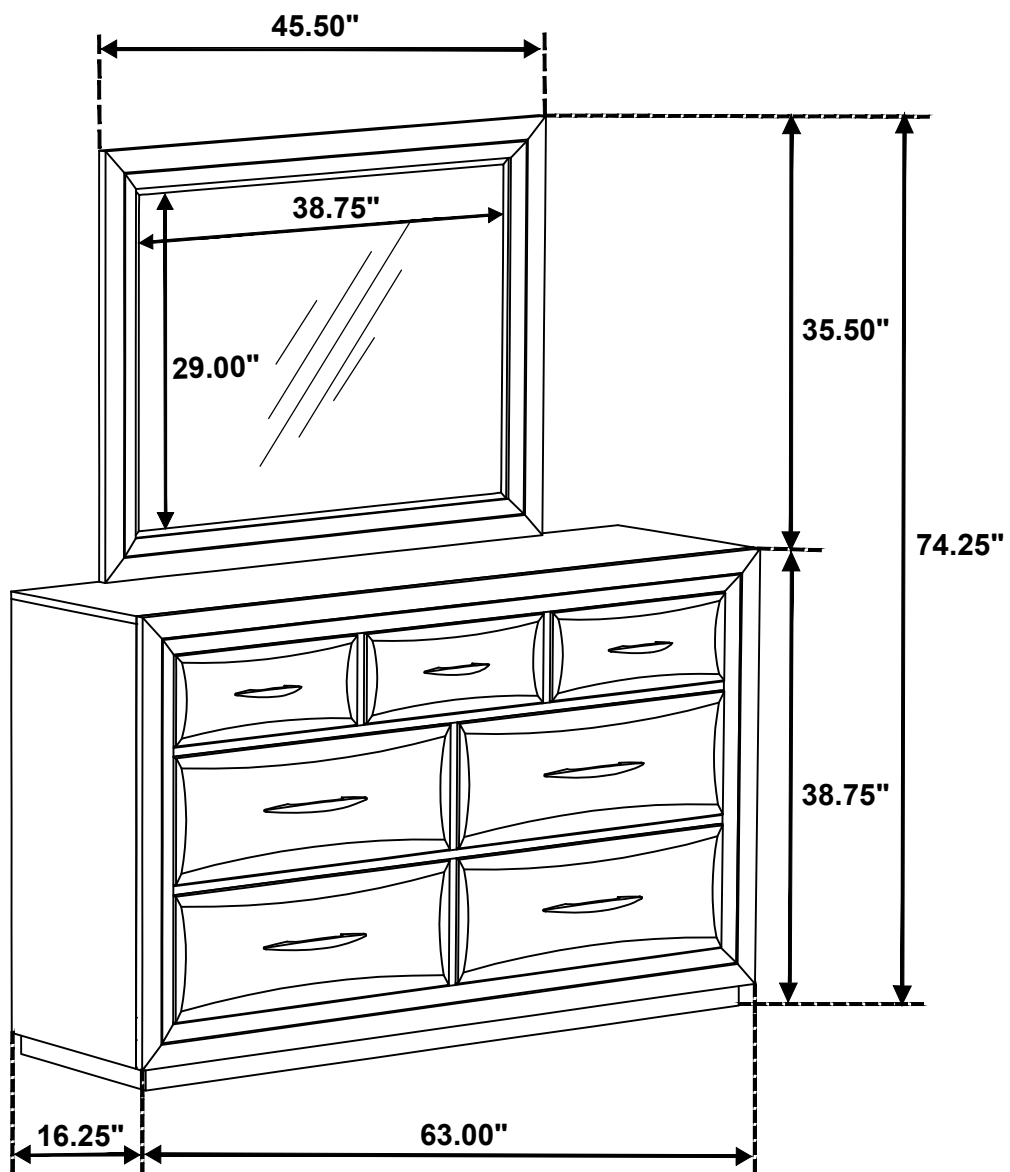
STEP 2



STEP 3
COMPLETE



ITEM: 215974



Note : Dimension tolerance $\pm 5\%$