

*ASSEMBLY INSTRUCTIONS  
COASTER FINE FURNITURE*



*Fine Furniture for every stage of life*

**222802**  
**Nightstand**

# ITEM: 222802

## ASSEMBLY INSTRUCTIONS

### ASSEMBLY TIPS:

1. Remove hardware from box and sort by size.
2. Please check to see that all hardware and parts are present prior to start of assembly.
3. Please follow attached instructions in the same sequence as numbered to assure fast & easy assembly.



### WARNING!

1. Don't attempt to repair or modify parts that are broken or defective. Please contact the store immediately.
2. This product is for home use only and not intended for commercial establishments.

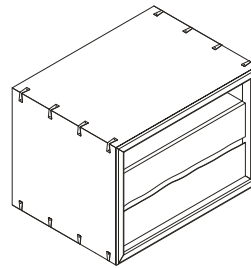


ASSEMBLY TIME

10 MINUTES

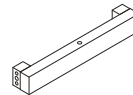
## PART IDENTIFICATION

A NIGHTSTAND



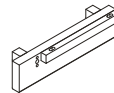
1PC

B FRONT FRAME RAIL



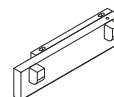
1PC

C LEFT SIDE FRAME



1PC

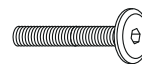
D RIGHT SIDE FRAME



1PC

## HARDWARE IDENTIFICATION

1 BOLT  
(5/16 x 60mm - BLK)



7PCS

2 LOCK WASHER  
(1.6 x 14mm - BLK)



7PCS

3 FLAT WASHER  
(2 x 18mm - BLK)



7PCS

4 ALLEN WRENCH  
(M5 x 75mm - BLK)



1PC

5 WOOD DOWEL  
(10 x 40mm)

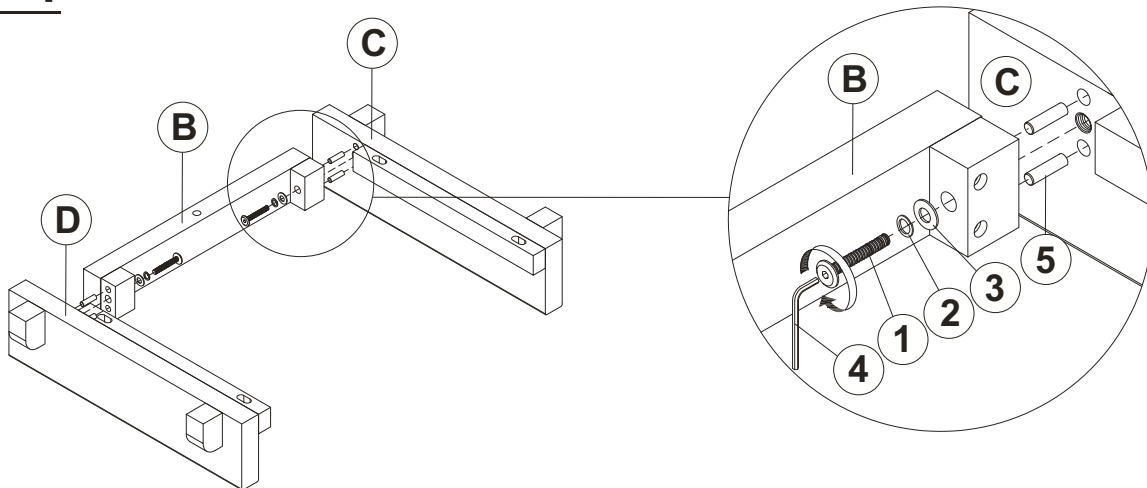


6PCS

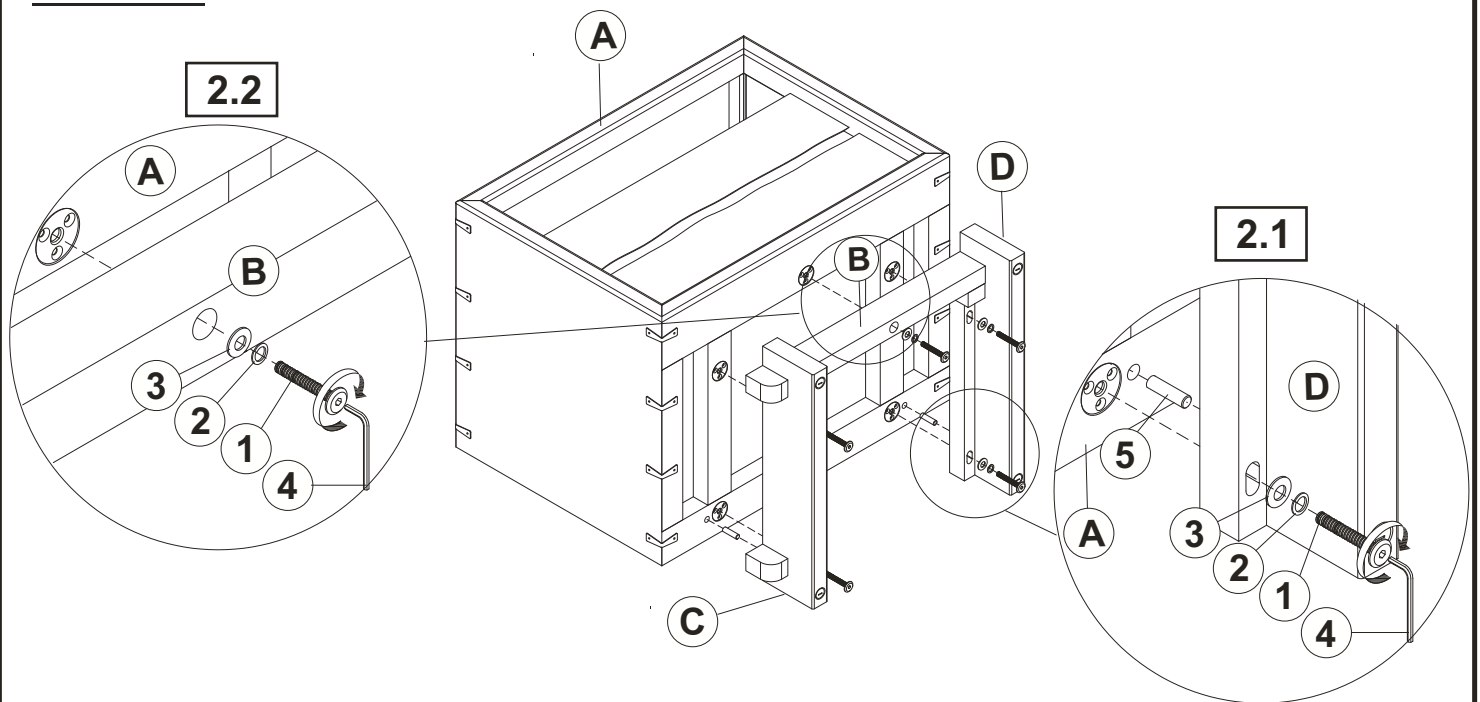
ITEM: **222802**

**ASSEMBLY INSTRUCTIONS**

**STEP 1**



**STEP 2**



**STEP 3**  
**COMPLETE**

