

ASSEMBLY INSTRUCTIONS
COASTER FINE FURNITURE



Fine Furniture for every stage of life

223061KE (B1-B3)
Eastern King Bed

ITEM: 223061KE (B1-B3)



ASSEMBLY INSTRUCTIONS

ASSEMBLY TIPS:

1. Remove hardware from box and sort by size.
2. Please check to see that all hardware and parts are present prior to start of assembly.
3. Please follow attached instructions in the same sequence as numbered to assure fast & easy assembly.



WARNING!

1. Don't attempt to repair or modify parts that are broken or defective. Please contact the store immediately.
2. This product is for home use only and not intended for commercial establishments.



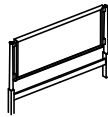
ASSEMBLY TIME

30 MINUTES

PARTS IDENTIFICATION

B1 (BOX 1)

A HEADBOARD



1PC

I WOOD CAP



2PCS

B HEADBOARD POST



2PCS

B2 (BOX 2)

C FOOTBOARD



1PC

E WOOD CAP



2PCS

D FOOTBOARD POST



2PCS

B3 (BOX 3)

F BED RAIL



2PCS

H BED SLAT SUPPORT WITH LEVELER



8PCS

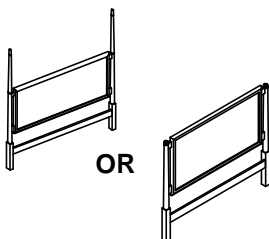
G BED SLAT



4PCS

HB

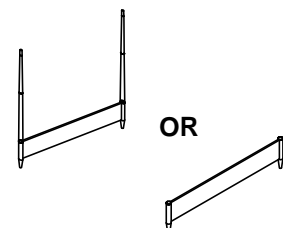
223061KE(B1)
FROM BOX 1
HEADBOARD
COMPLETE



1PC

FB

223061KE(B2)
FROM BOX 2
FOOTBOARD
COMPLETE



1PC

ITEM: 223061KE (B1-B3)



ASSEMBLY INSTRUCTIONS

ASSEMBLY TIPS:

1. Remove hardware from box and sort by size.
2. Please check to see that all hardware and parts are present prior to start of assembly.
3. Please follow attached instructions in the same sequence as numbered to assure fast & easy assembly.






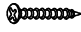


WARNING!

1. Don't attempt to repair or modify parts that are broken or defective. Please contact the store immediately.
2. This product is for home use only and not intended for commercial establishments.

HARDWARE IDENTIFICATION

Z-B3 (BOX 3) - HARDWARE PACK IS LOCATED IN 223061KE (B3)

1	THREADED BOLT (\varnothing 5/16" x 3" - RBW)		8PCS	2	HALF ROUND NUT (\varnothing 5/16" - RBW)		8PCS
3	LOCK WASHER (\varnothing 5/16" x 3" - RBW)		8PCS	4	HEX NUT (\varnothing 5/16" x 14MM - RBW)		8PCS
5	WRENCH (14MM - RBW)		1PC	6	FLAT HEAD SCREW (\varnothing 4 x 30MM - RBW)		8PCS

NOTE:

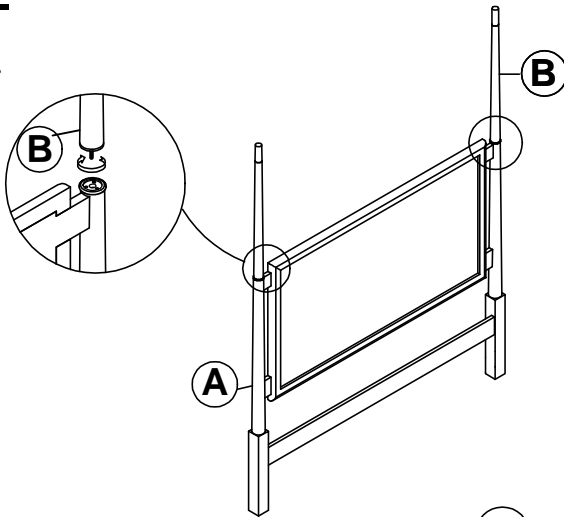
Phillips head screw driver is required in the assembly process; however, manufacturer does not provide this item.

ASSEMBLY INSTRUCTIONS

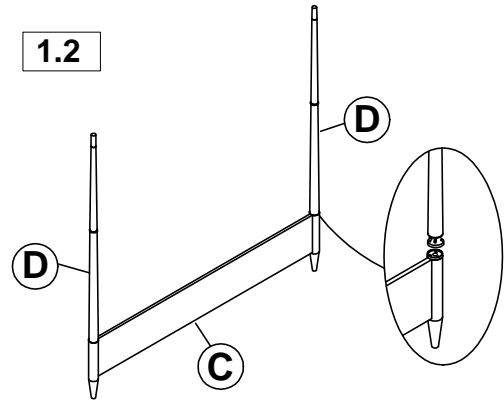
STEP 1

OPTION 1

1.1

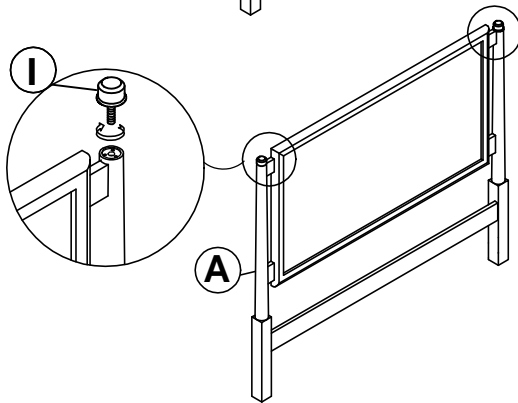


1.2

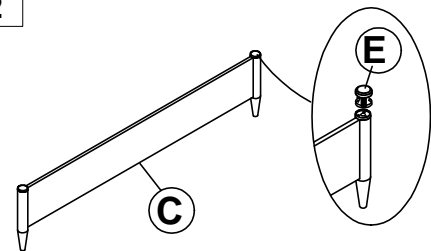


OPTION 2

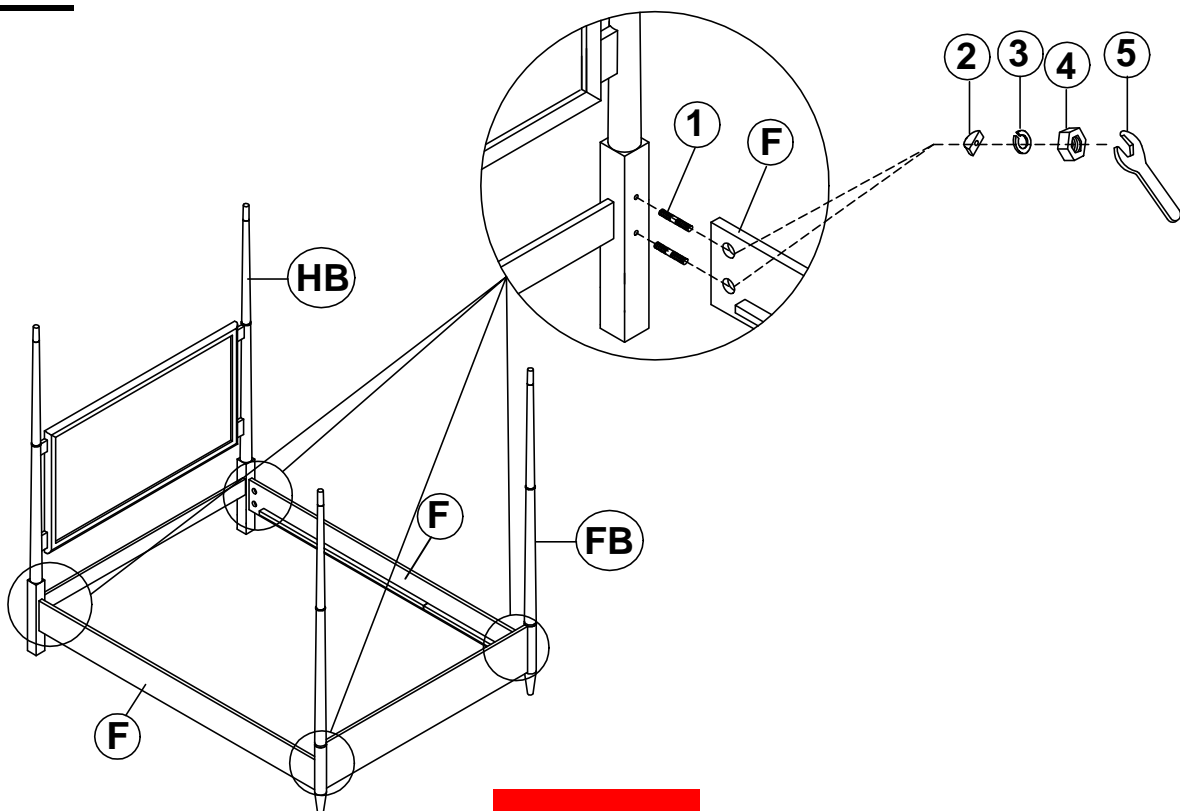
1.1



1.2



STEP 2

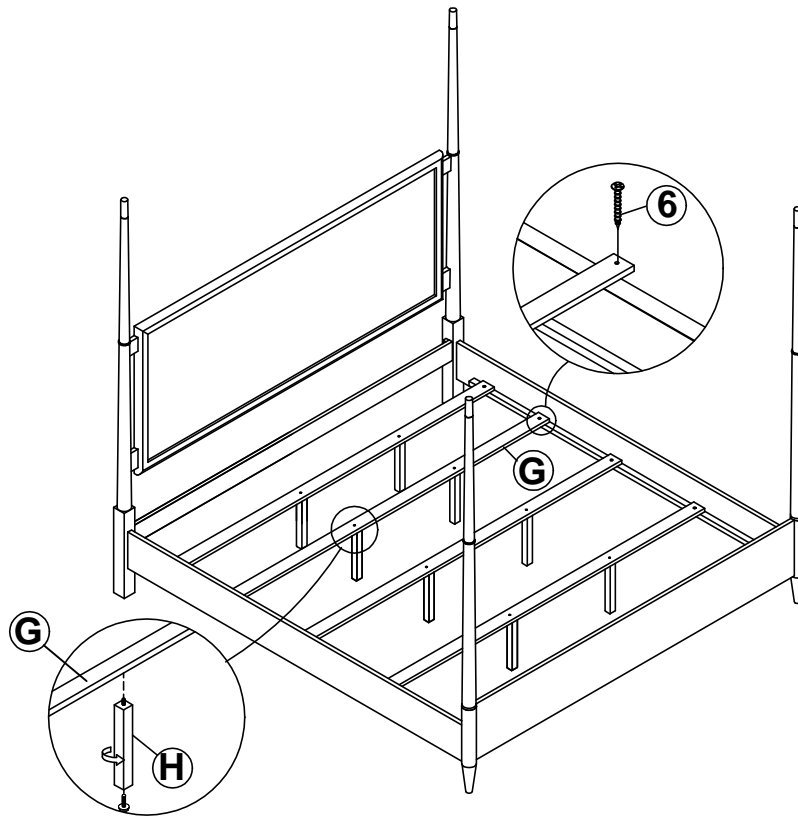


ITEM: **223061KE (B1-B3)**

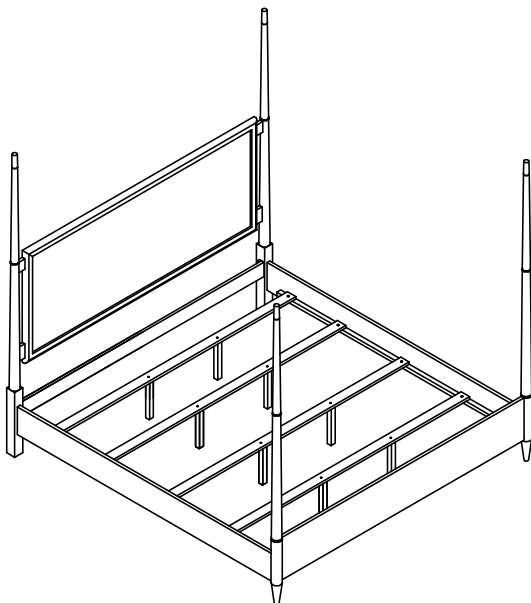


ASSEMBLY INSTRUCTIONS

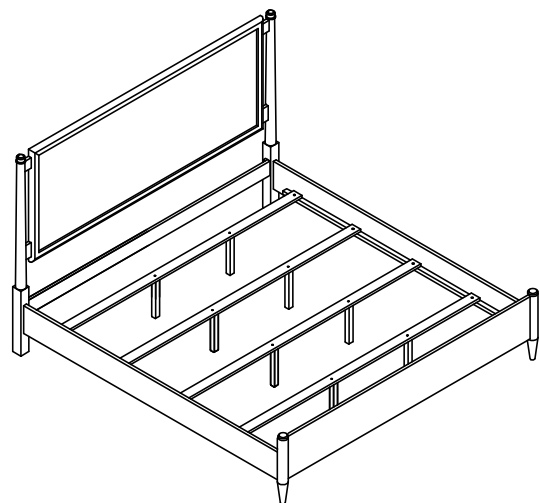
STEP 3



STEP 4
COMPLETE



OPTION 1



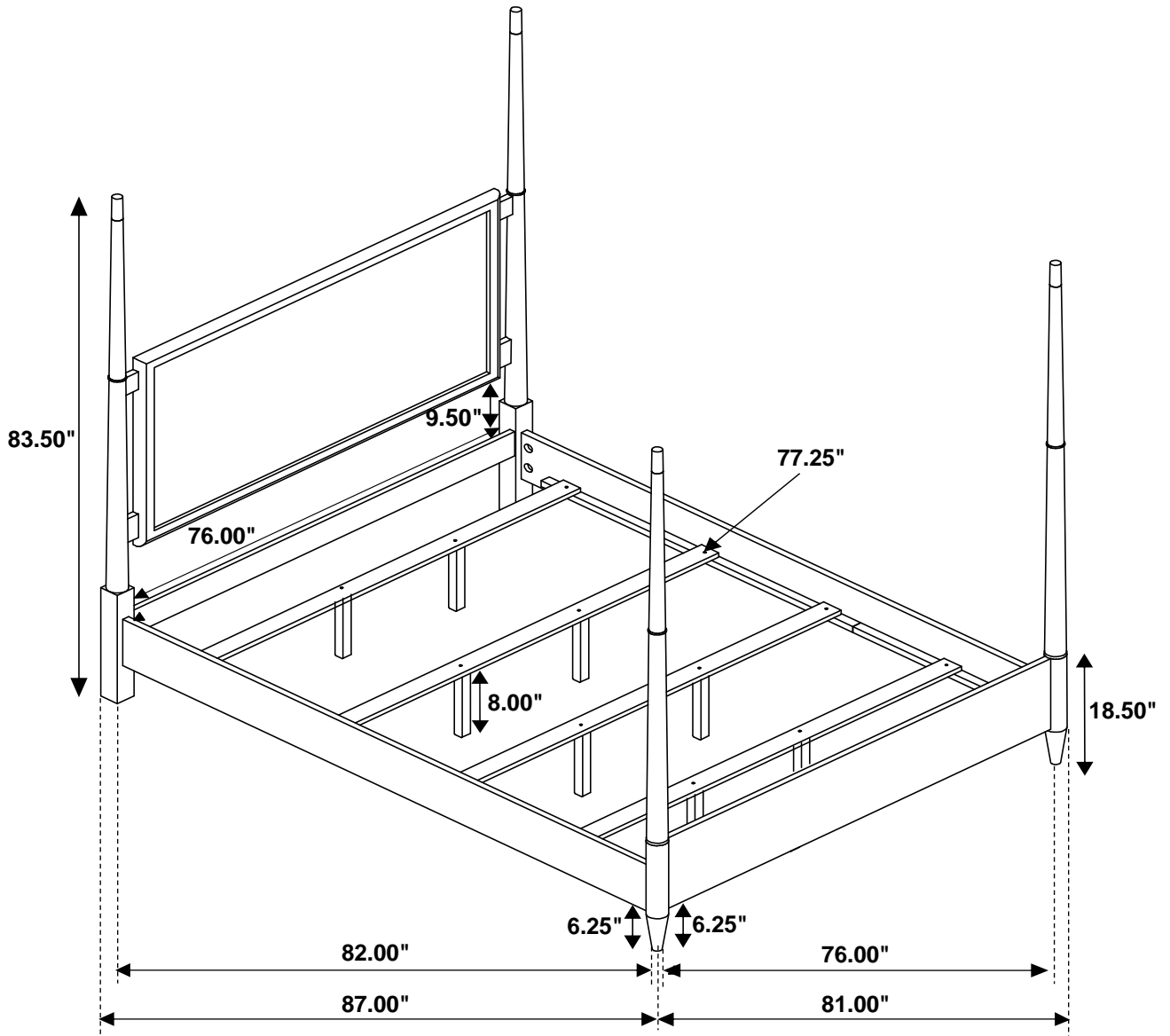
OPTION 2



ITEM: 223061KE (B1-B3)



Inner Size : 77.50"W X 82.00"D

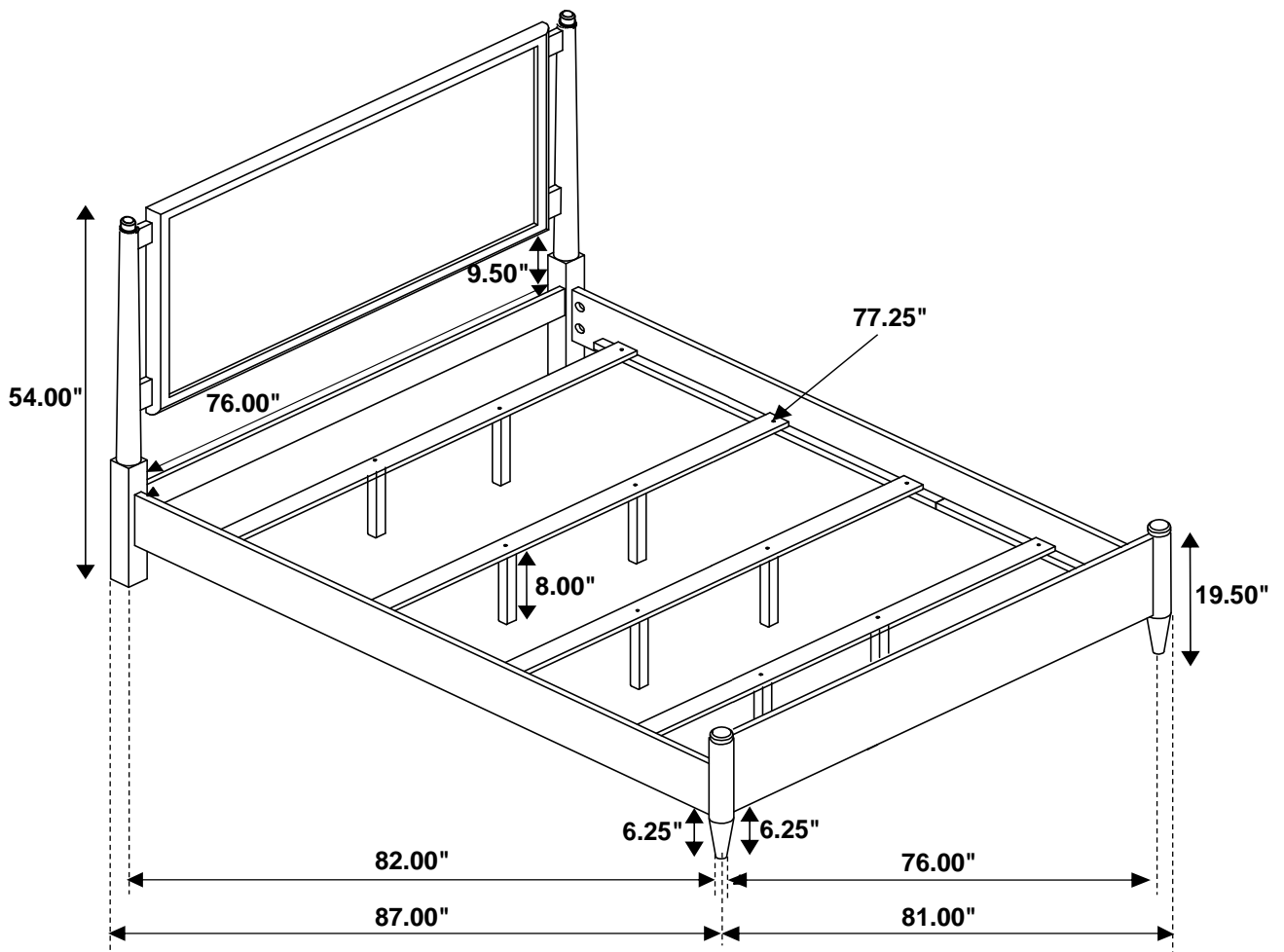


Note: Dimension tolerance $\pm 5\%$

ITEM: **223061KE (B1-B3)**



Inner Size : 77.50"W X 82.00"D



Note: Dimension tolerance $\pm 5\%$

ASSEMBLY INSTRUCTIONS
COASTER FINE FURNITURE



Fine Furniture for every stage of life

223062
Nightstand

ITEM: **223062**



ASSEMBLY INSTRUCTIONS

ASSEMBLY TIPS:

1. Remove hardware from box and sort by size.
2. Please check to see that all hardware and parts are present prior to start of assembly.
3. Please follow attached instructions in the same sequence as numbered to assure fast & easy assembly.



WARNING!

1. Don't attempt to repair or modify parts that are broken or defective. Please contact the store immediately.
2. This product is for home use only and not intended for commercial establishments.

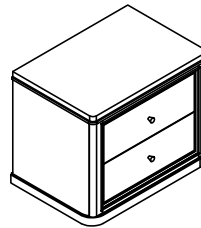


ASSEMBLY TIME

5 MINUTES

PARTS IDENTIFICATION

A NIGHTSTAND



1PC

B LEG



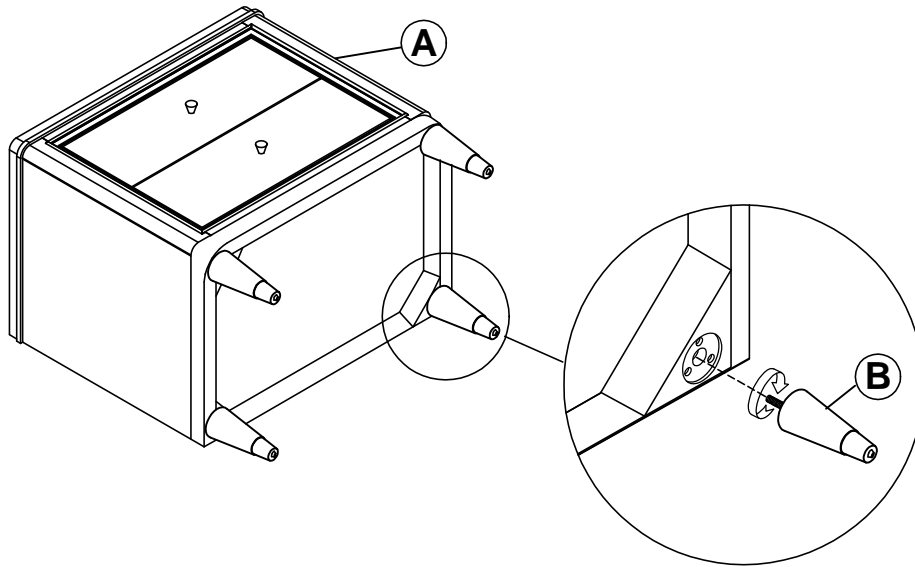
4PCS

ITEM: **223062**

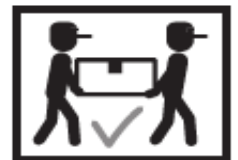
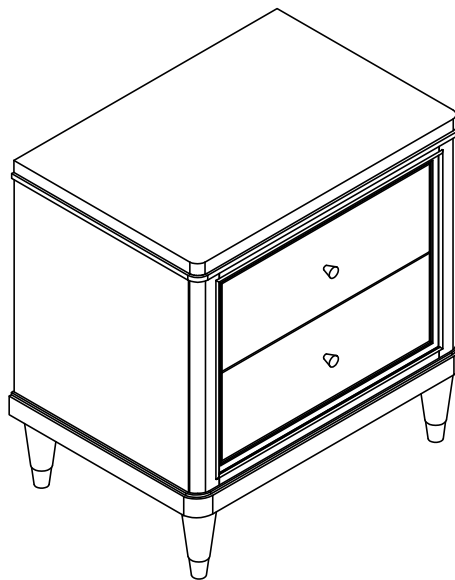


ASSEMBLY INSTRUCTIONS

STEP 1



STEP 2 COMPLETE



ITEM: **223062**

ANTI-TIPPING INSTALLMENT INSTRUCTIONS

FURNITURE TIPPING RESTRAINT



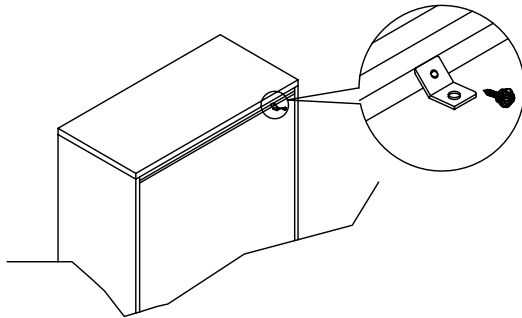
WARNING

Injury may result from tipping furniture.
This restraint may protect against tipping furniture.
Do not allow children to climb on furniture.
This restraint is not a substitute for proper adult supervision.
Failure to detach this restraint before moving the furniture may result in injury and damage.

This tip restraint must be attached to a wall stud using long screw enclosed.

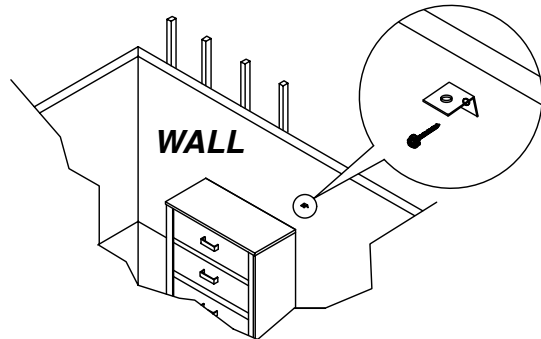
STEP 1

Attach a bracket securely to the back top rail of the furniture using short screw provided, through the smaller hole.



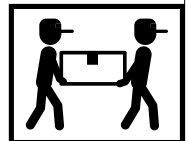
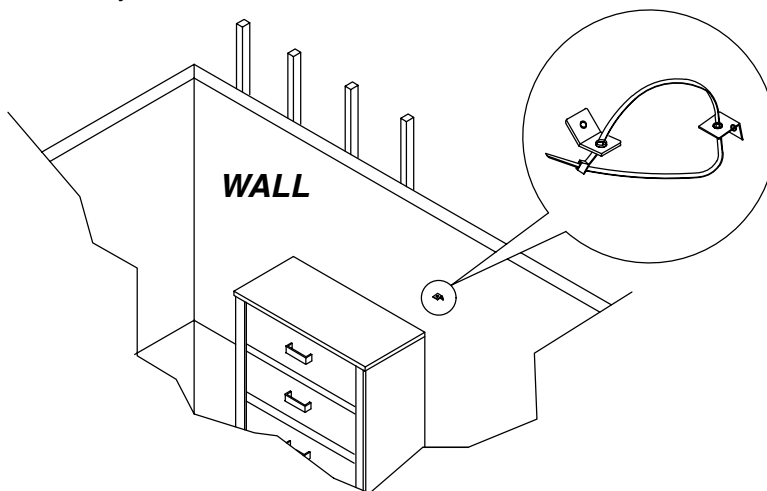
STEP 2

Locate the other bracket on the wall over a wall stud and two inches below the mounting bracket secured to the back of the furniture. Attach the wall stud using the long screw provided, through the smaller hole.



STEP 3

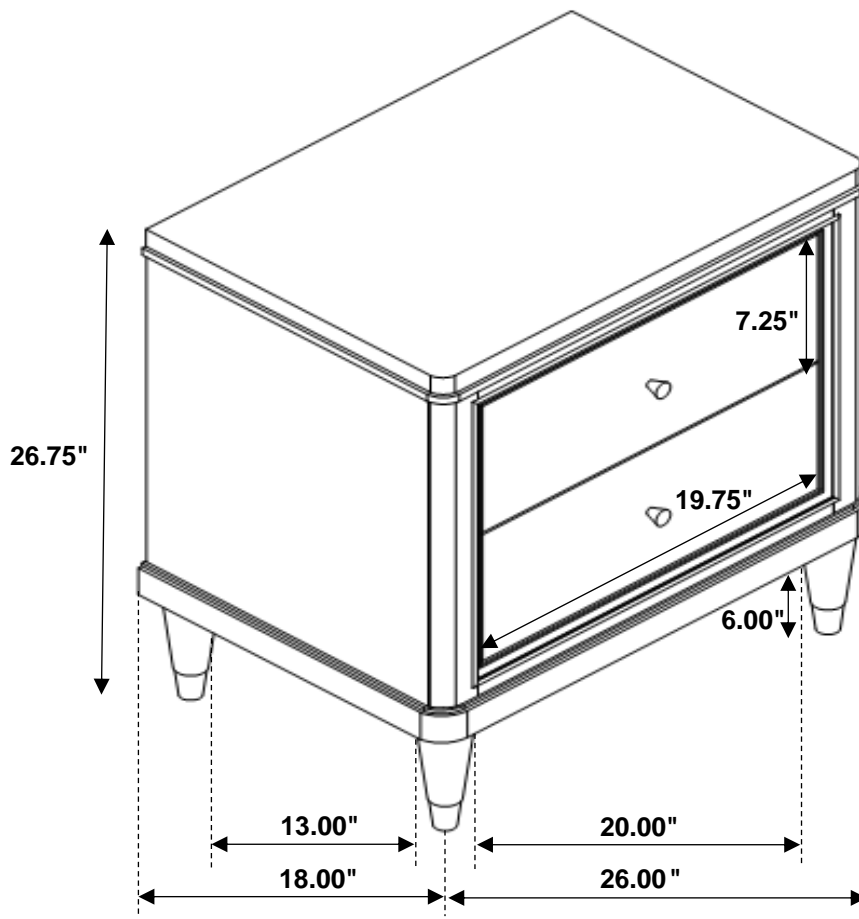
Place the furniture into position so both mounting brackets are vertically in line. Lace the end of the restraint strap through the larger hole in each mounting bracket. Bring both ends together and slide the flat end through the locking end and draw it through until all slack is removed. Confirm that the strap is securely laced and locked.



ITEM: **223062**

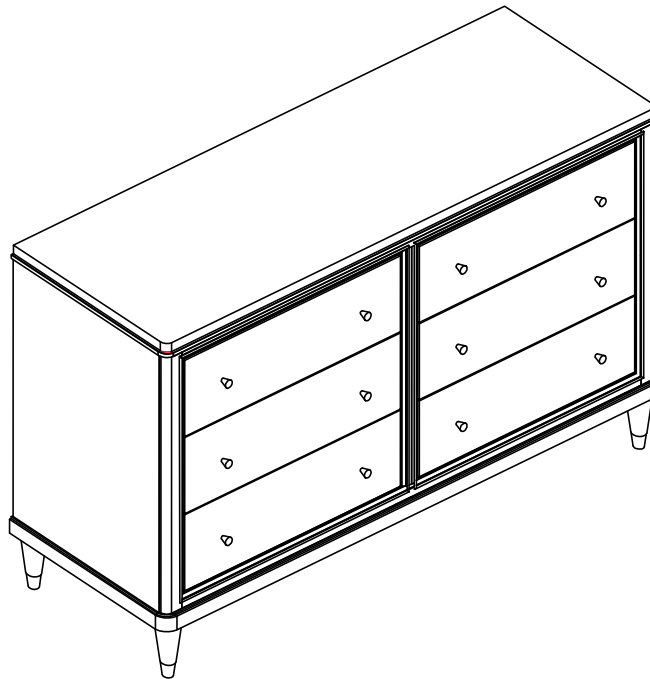


Inner Size of Drawer : 18.25"W X 13.50"D X 6.25"H X 0.50"T



Note: Dimension tolerance $\pm 5\%$

ASSEMBLY INSTRUCTIONS
COASTER FINE FURNITURE



Fine Furniture for every stage of life

223063
Dresser

ITEM: **223063**



ASSEMBLY INSTRUCTIONS

ASSEMBLY TIPS:

1. Remove hardware from box and sort by size.
2. Please check to see that all hardware and parts are present prior to start of assembly.
3. Please follow attached instructions in the same sequence as numbered to assure fast & easy assembly.



WARNING!

1. Don't attempt to repair or modify parts that are broken or defective. Please contact the store immediately.
2. This product is for home use only and not intended for commercial establishments.

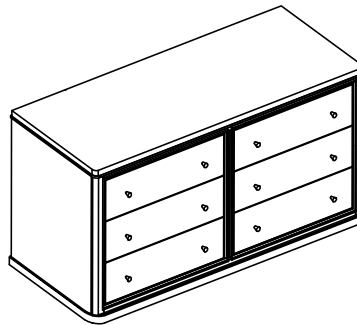


ASSEMBLY TIME

5 MINUTES

PARTS IDENTIFICATION

A DRESSER



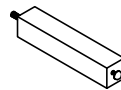
1PC

B LEG



4PCS

C CENTER SUPPORT LEG WITH LEVELER



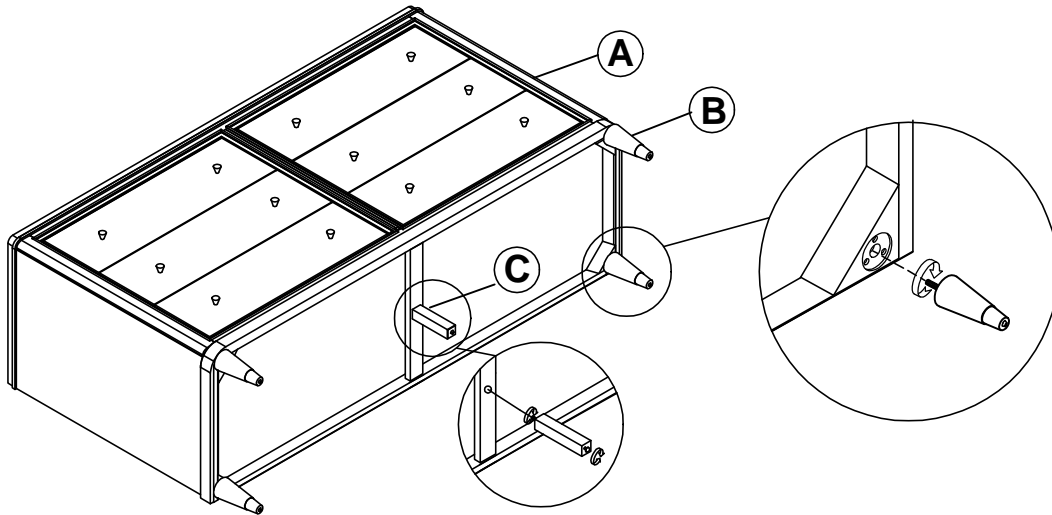
1PC

ITEM: **223063**

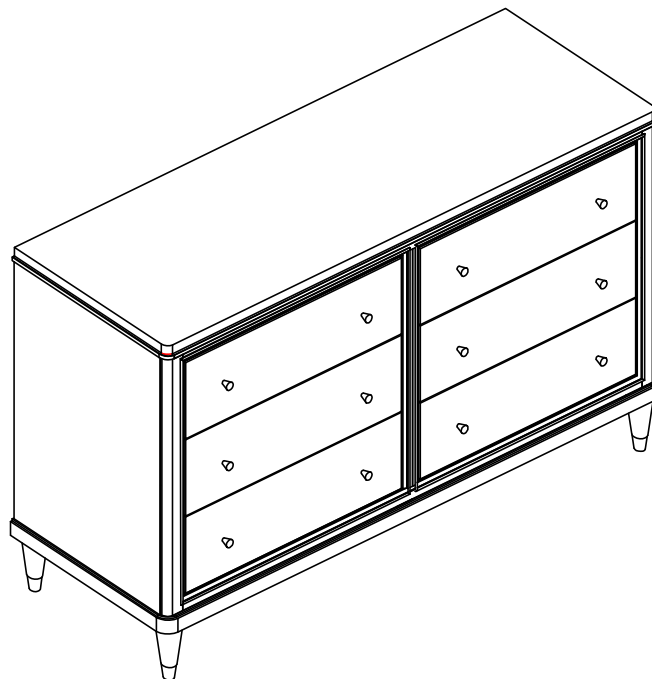


ASSEMBLY INSTRUCTIONS

STEP 1



STEP 2 COMPLETE



ITEM: **223063**

ANTI-TIPPING INSTALLMENT INSTRUCTIONS

FURNITURE TIPPING RESTRAINT



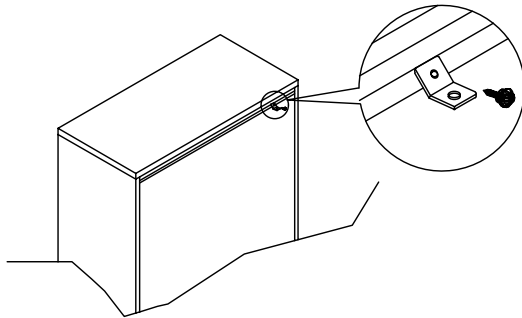
WARNING

Injury may result from tipping furniture.
This restraint may protect against tipping furniture.
Do not allow children to climb on furniture.
This restraint is not a substitute for proper adult supervision.
Failure to detach this restraint before moving the furniture may result in injury and damage.

This tip restraint must be attached to a wall stud using long screw enclosed.

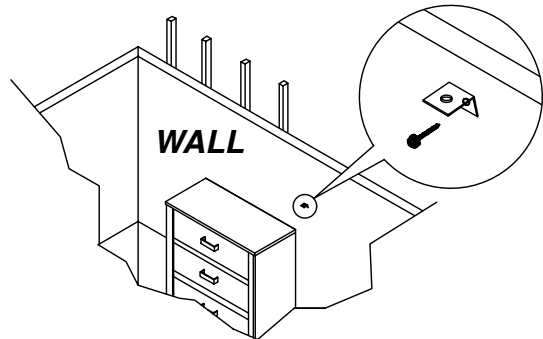
STEP 1

Attach a bracket securely to the back top rail of the furniture using short screw provided, through the smaller hole.



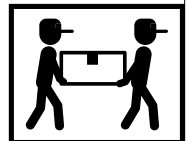
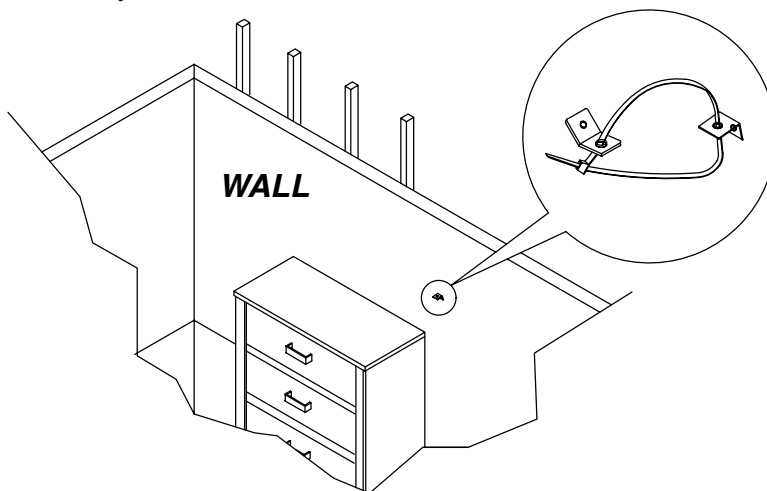
STEP 2

Locate the other bracket on the wall over a wall stud and two inches below the mounting bracket secured to the back of the furniture. Attach the wall stud using the long screw provided, through the smaller hole.



STEP 3

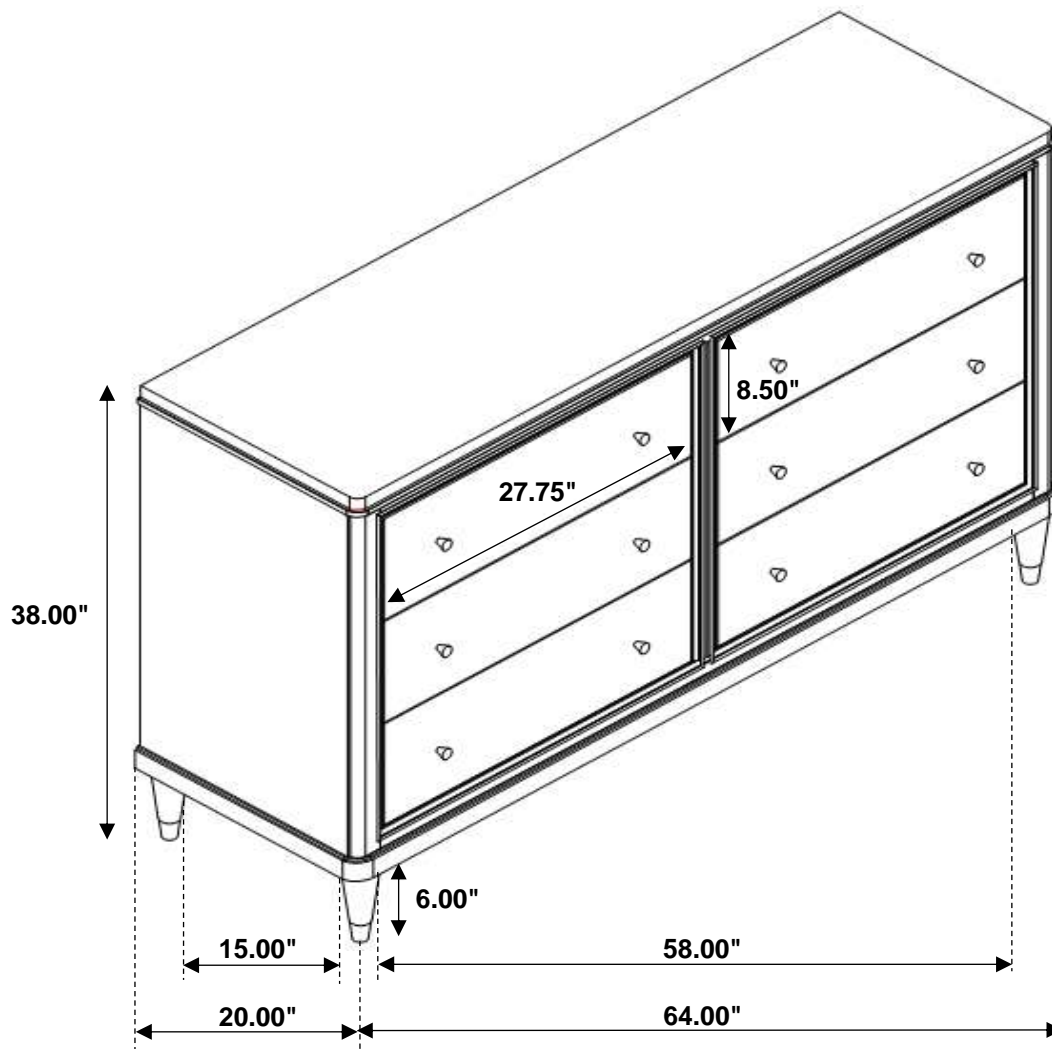
Place the furniture into position so both mounting brackets are vertically in line. Lace the end of the restraint strap through the larger hole in each mounting bracket. Bring both ends together and slide the flat end through the locking end and draw it through until all slack is removed. Confirm that the strap is securely laced and locked.



ITEM: **223063**



Inner Size of Drawer : 26.00"W X 13.50"D X 7.75"H X 0.50"T



Note: Dimension tolerance $\pm 5\%$

ASSEMBLY INSTRUCTIONS
COASTER FINE FURNITURE



Fine Furniture for every stage of life

223064
Mirror

ITEM: **223064**



ASSEMBLY INSTRUCTIONS

ASSEMBLY TIPS:

1. Remove hardware from box and sort by size.
2. Please check to see that all hardware and parts are present prior to start of assembly.
3. Please follow attached instructions in the same sequence as numbered to assure fast & easy assembly.



WARNING!

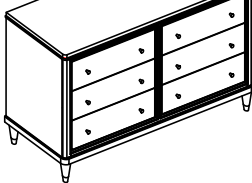

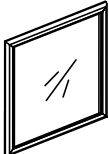
1. Don't attempt to repair or modify parts that are broken or defective. Please contact the store immediately.
2. This product is for home use only and not intended for commercial establishments.






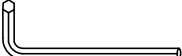
ASSEMBLY TIME

5 MINUTES

PARTS IDENTIFICATION

A	DRESSER FROM BOX ITEM# 223063		1PC
B	MIRROR SUPPORT (PACKED WITH DRESSER)		2PCS
C	MIRROR		1PC

HARDWARE IDENTIFICATION

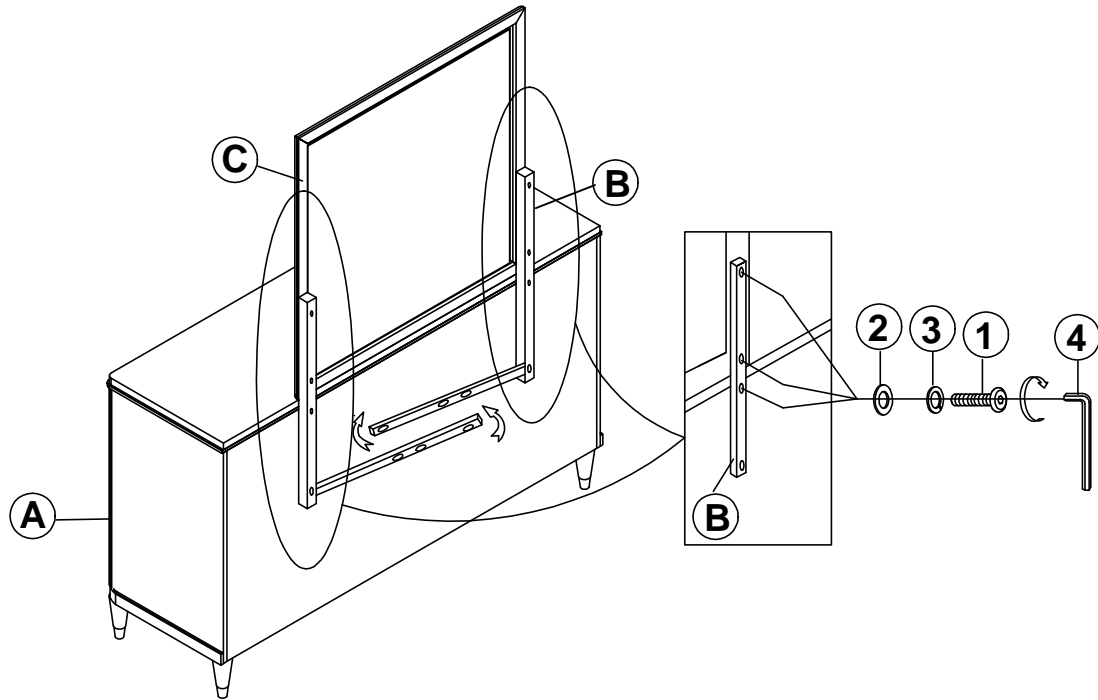
1	BOLT (1/4" x 38mm - RBW)		6PCS
2	LOCK WASHER (1/4" - RBW)		6PCS
3	FLAT WASHER (1/4" - RBW)		6PCS
4	ALLEN WRENCH (4mm - RBW)		1PC

ITEM: **223064**

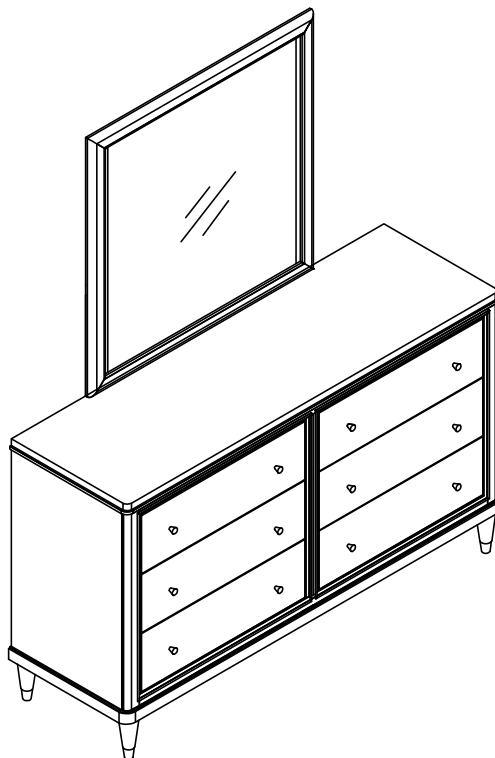


ASSEMBLY INSTRUCTIONS

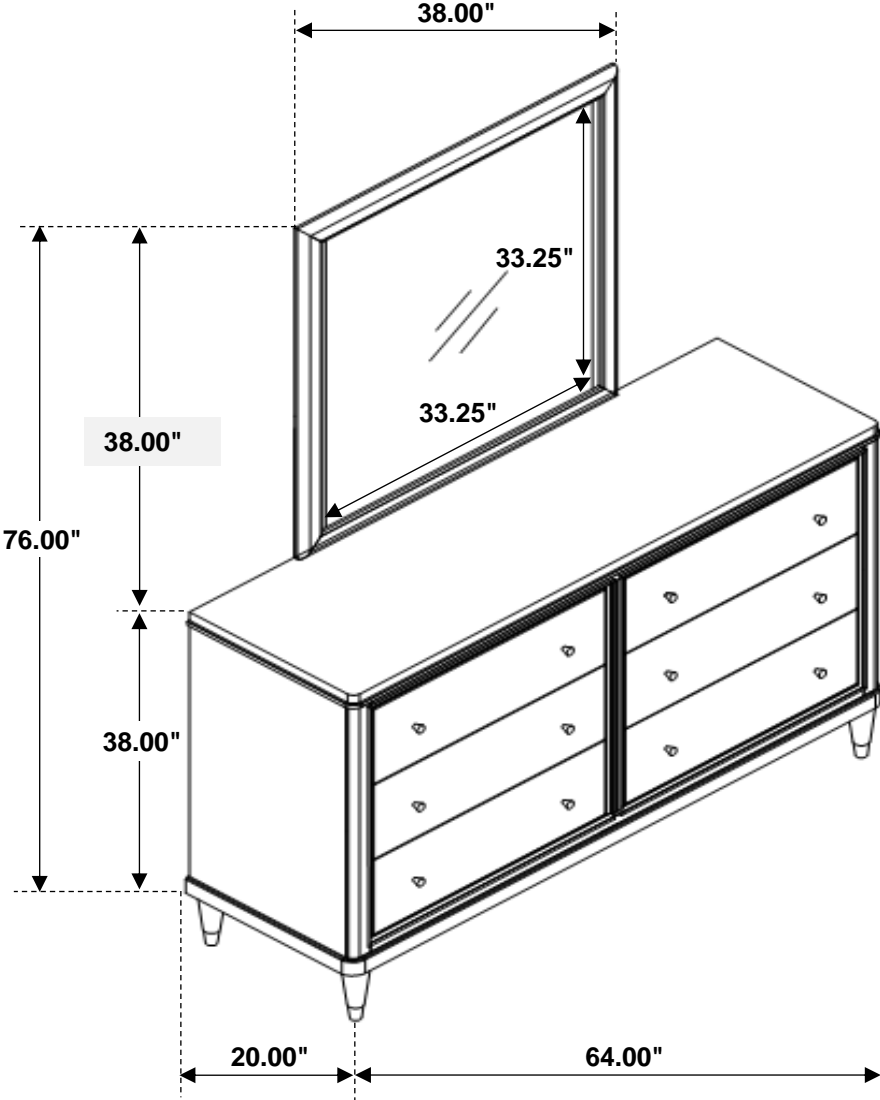
STEP 1



STEP 2 COMPLETE



ITEM: **223064**



Note: Dimension tolerance $\pm 5\%$