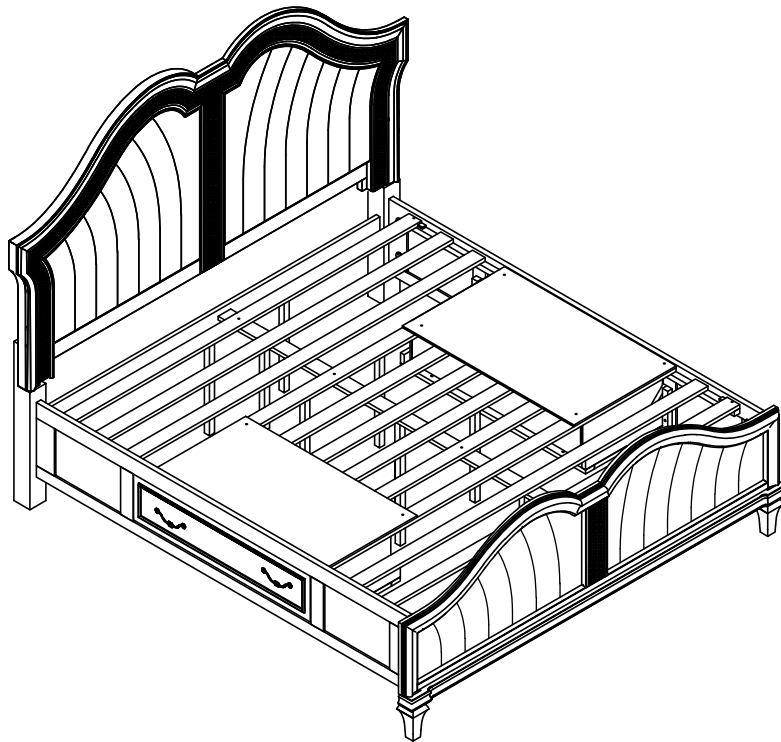


ASSEMBLY INSTRUCTIONS
COASTER FINE FURNITURE



Fine Furniture for every stage of life

223390KE (B1-B4)
Eastern King Storage Bed

ITEM: 223390KE(B1-B4)



ASSEMBLY INSTRUCTIONS

ASSEMBLY TIPS:

1. Remove hardware from box and sort by size.
2. Please check to see that all hardware and parts are present prior to start of assembly.
3. Please follow attached instructions in the same sequence as numbered to assure fast & easy assembly.



WARNING!

1. Don't attempt to repair or modify parts that are broken or defective. Please contact the store immediately.
2. This product is for home use only and not intended for commercial establishments.



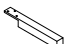



ASSEMBLY TIME




30 MINUTES

PARTS IDENTIFICATION

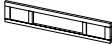




B1 (BOX 1)

A	HEADBOARD PANEL		1PC	B	HEADBOARD BOTTOM RAIL		1PC
C	RIGHT HEADBOARD LEG		1PC	D	LEFT HEADBOARD LEG		1PC

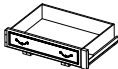




B2 (BOX 2)

E	FOOTBOARD PANEL		1PC	F	RIGHT FOOTBOARD LEG		1PC
G	LEFT FOOTBOARD LEG		1PC				

B3 (BOX 3)

H	BED RAIL		2PCS	I	BED SLAT SUPPORT WITH LEVELER		8PCS
J	ROLL SLAT (11PCS)		1SET	K	CENTER RAIL		1PC
L	CENTER RAIL SUPPORT WITH LEVELER		3PCS				

B4 (BOX 4)

M	DRAWER		2PCS	N	DRAWER SUPPORT WITH LEVELER		4PCS
O	DRAWER PANEL		2PCS				
HB	223390KE (B1) FROM BOX 1 HEADBOARD COMPLETE		1PC	FB	223390KE (B2) FROM BOX 2 FOOTBOARD		1PC

NOTE:

Phillips head screw driver is required in the assembly process; however, manufacturer does not provide this item.

ITEM: 223390KE(B1-B4)



ASSEMBLY INSTRUCTIONS

ASSEMBLY TIPS:

1. Remove hardware from box and sort by size.
2. Please check to see that all hardware and parts are present prior to start of assembly.
3. Please follow attached instructions in the same sequence as numbered to assure fast & easy assembly.





WARNING!







1. Don't attempt to repair or modify parts that are broken or defective. Please contact the store immediately.
2. This product is for home use only and not intended for commercial establishments.

HARDWARE IDENTIFICATION






Z-B1 (BOX 1) - HARDWARE PACK IS LOCATED IN 223390KE (B1)

1	MEDIUM BOLT (\varnothing 5/16" x 45MM- RBW)		10PCS	2	LOCK WASHER (\varnothing 5/16" - RBW)		10PCS
3	FLAT WASHER (\varnothing 5/16" - RBW)		10PCS	4	ALLEN WRENCH (4MM - RBW)		1PC





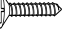
Z-B2 (BOX 2) - HARDWARE PACK IS LOCATED IN 223390KE (B2)

5	LONG BOLT (\varnothing 5/16" x 55MM- RBW)		4PCS	6	LOCK WASHER (\varnothing 5/16" - RBW)		4PCS
7	FLAT WASHER (\varnothing 5/16" - RBW)		4PCS	8	ALLEN WRENCH (4MM - RBW)		1PC

Z-B3 (BOX 3) - HARDWARE PACK IS LOCATED IN 223390KE (B3)

9	THREADED BOLT (\varnothing 5/16" x 90MM - RBW)		8PCS	10	HALF ROUND NUT (\varnothing 5/16" - RBW)		8PCS
11	HEX NUT (\varnothing 5/16" x 14MM - RBW)		8PCS	12	WRENCH (14MM - RBW)		1PC
13	FLAT HEAD SCREW (\varnothing 4 x 30MM - RBW)		12PCS				

Z-B4 (BOX 4) - HARDWARE PACK IS LOCATED IN 223390KE (B4)

14	SHORT BOLT (\varnothing 1/4" x 38MM- RBW)		12PCS	15	LOCK WASHER (\varnothing 1/4" - RBW)		12PCS
16	FLAT WASHER (\varnothing 1/4" - RBW)		12PCS	17	ALLEN WRENCH (4MM - RBW)		1PC
18	FLAT HEAD SCREW (\varnothing 4 x 15MM - RBW)		8PCS				

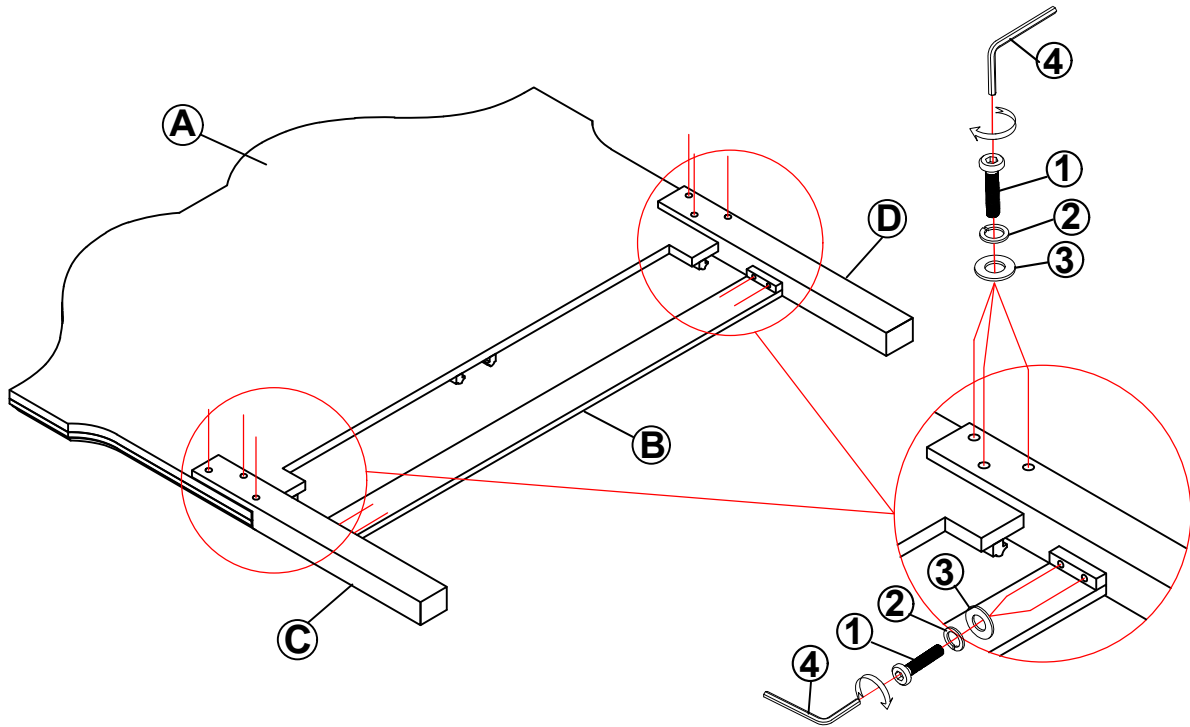
NOTE:

Phillips head screw driver is required in the assembly process; however, manufacturer does not provide this item.

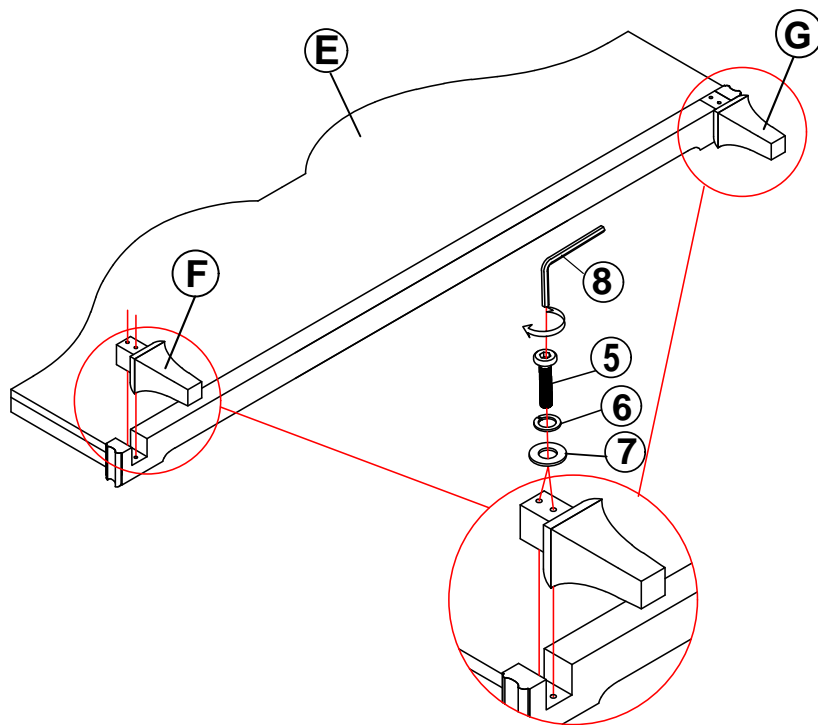
ITEM: 223390KE(B1-B4)

ASSEMBLY INSTRUCTIONS

STEP 1



STEP 2

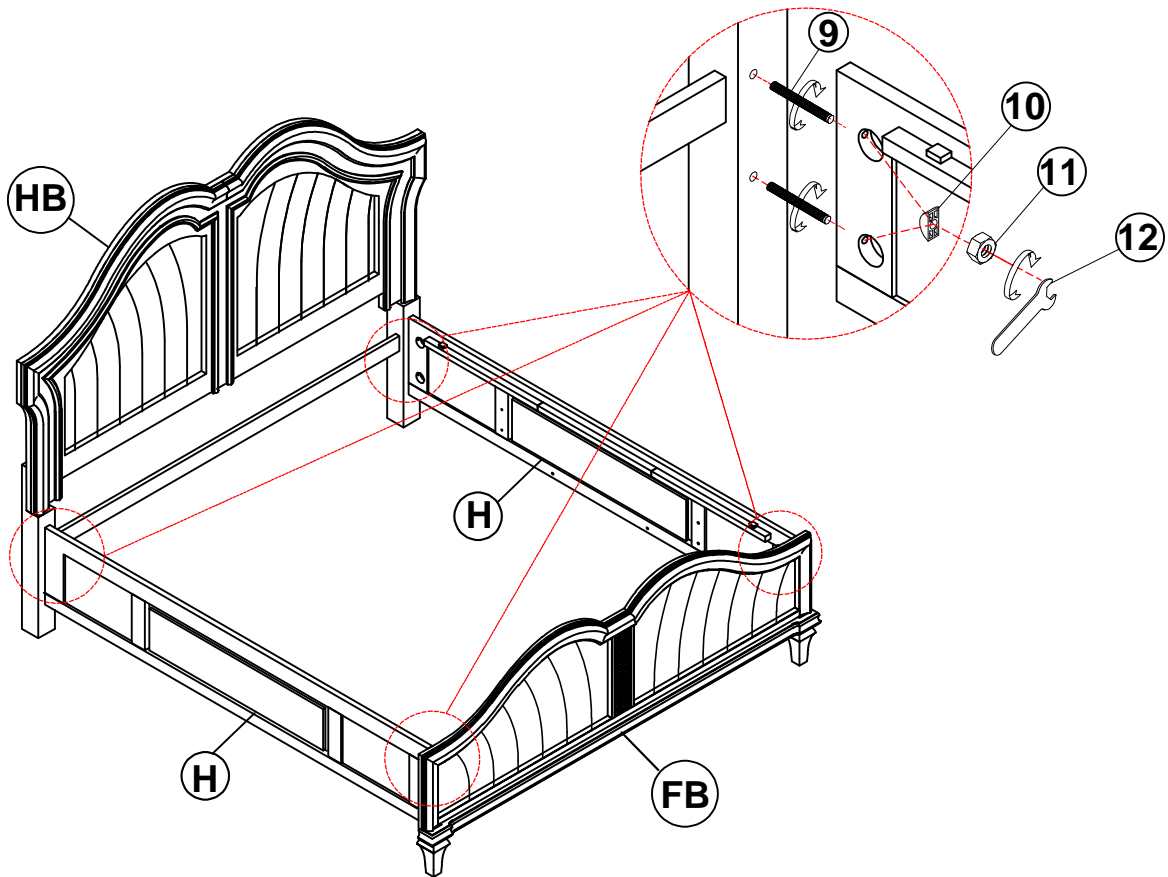


ITEM: 223390KE(B1-B4)

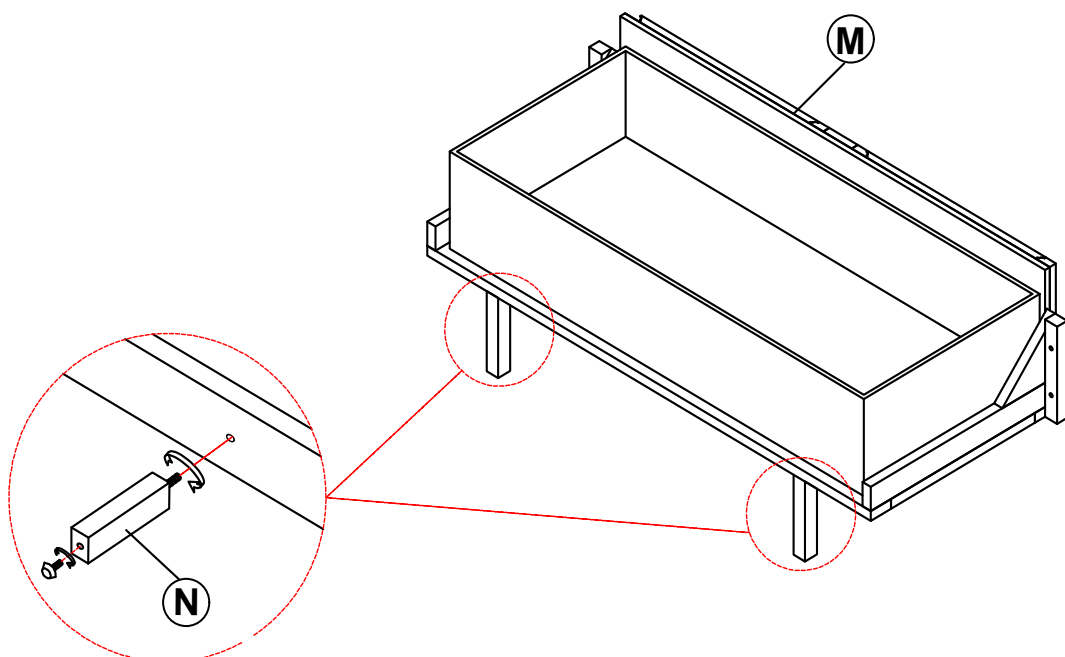


ASSEMBLY INSTRUCTIONS

STEP 3



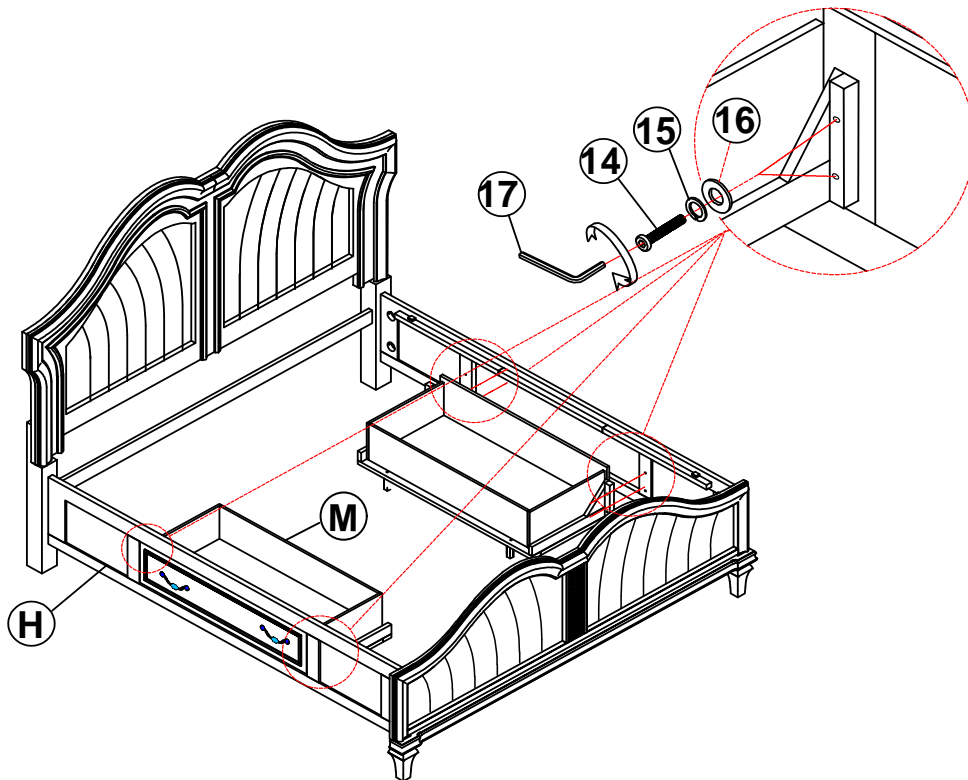
STEP 4



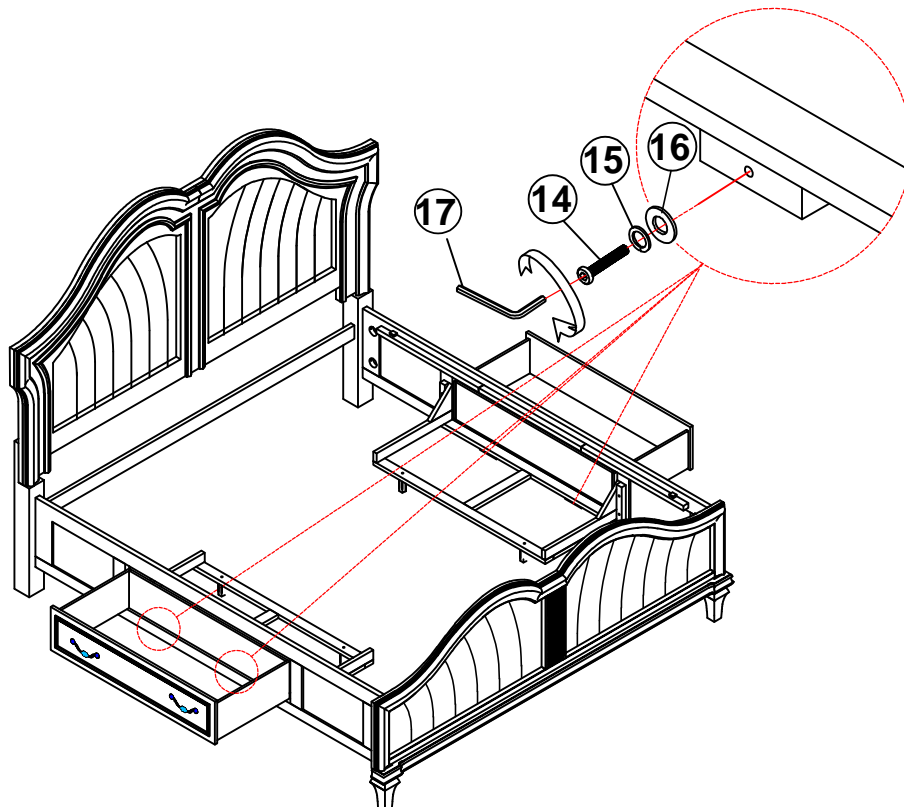
ITEM: 223390KE(B1-B4)

ASSEMBLY INSTRUCTIONS

STEP 5



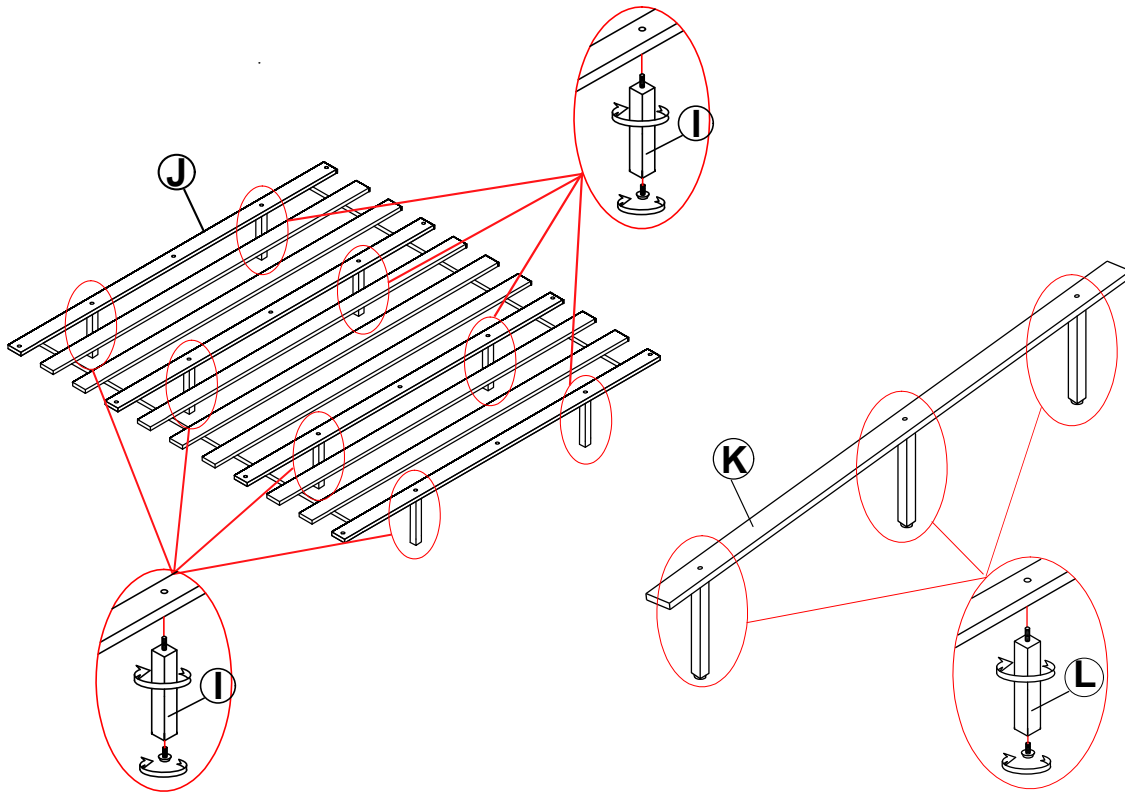
STEP 6



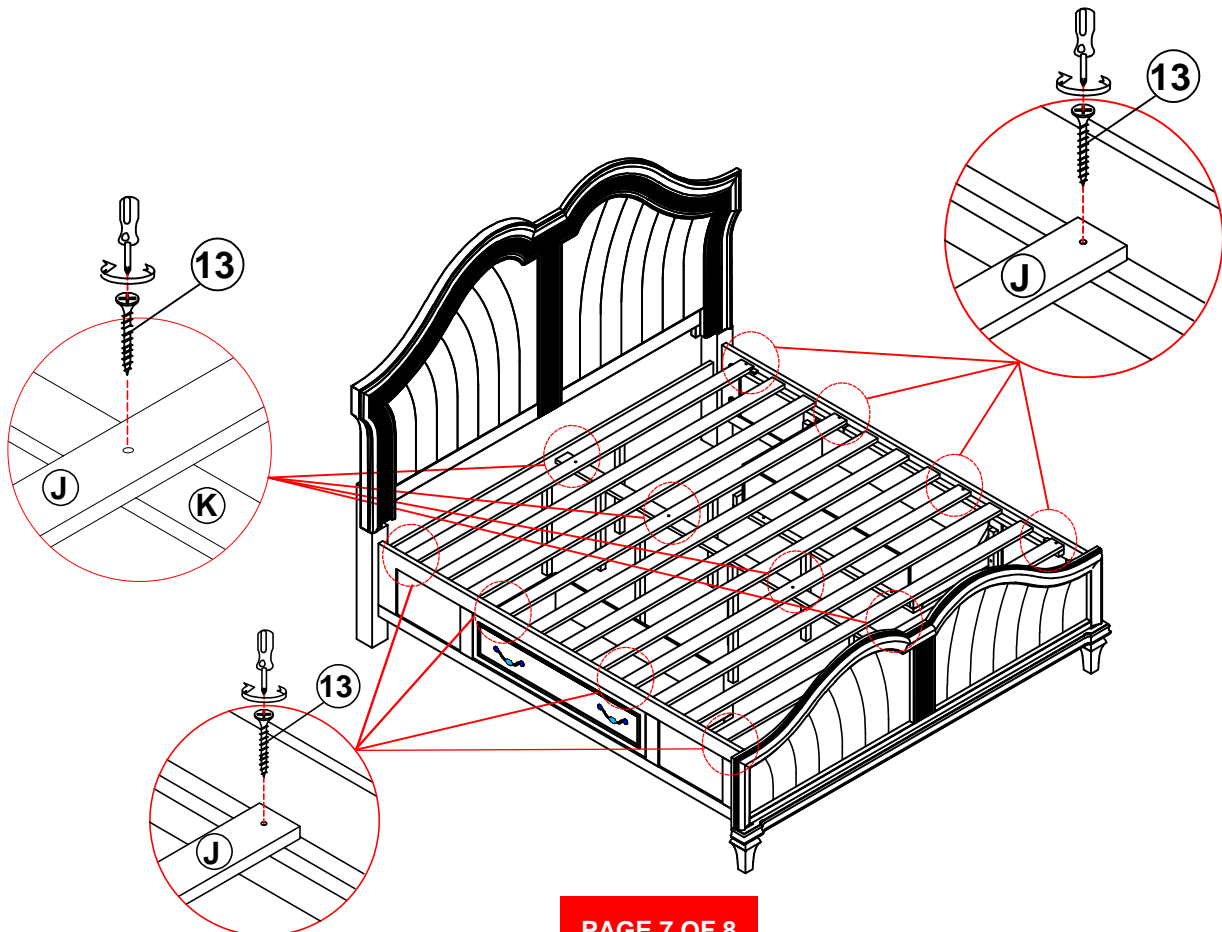
ITEM: 223390KE(B1-B4)

ASSEMBLY INSTRUCTIONS

STEP 7



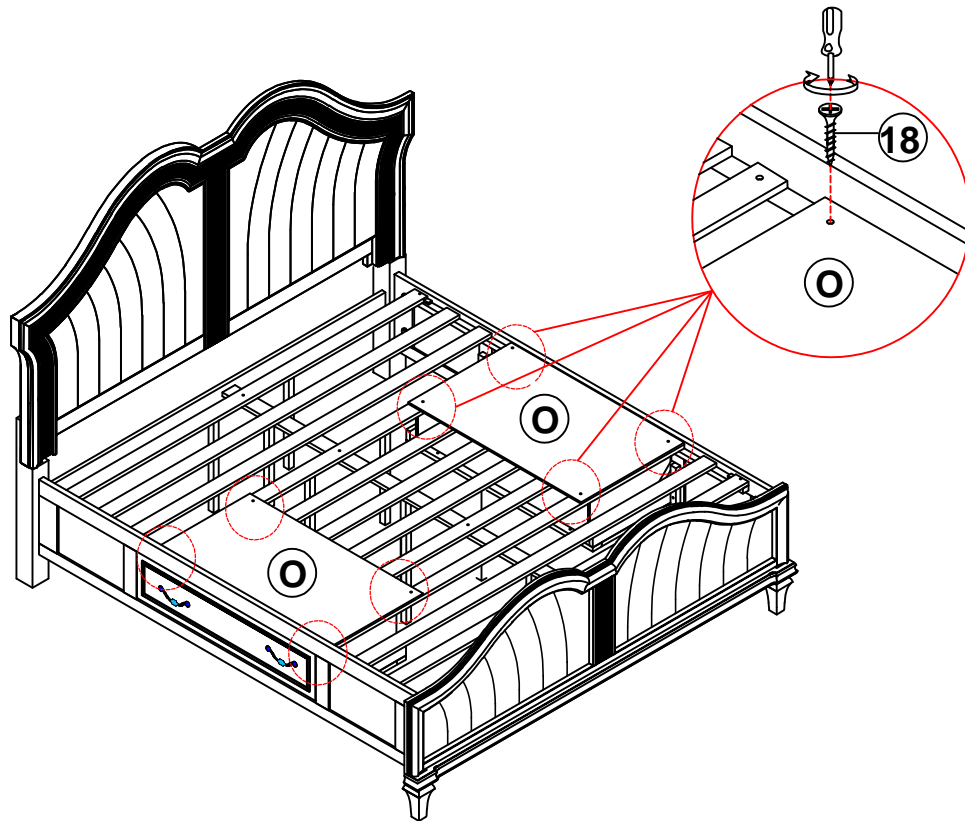
STEP 8



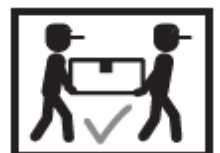
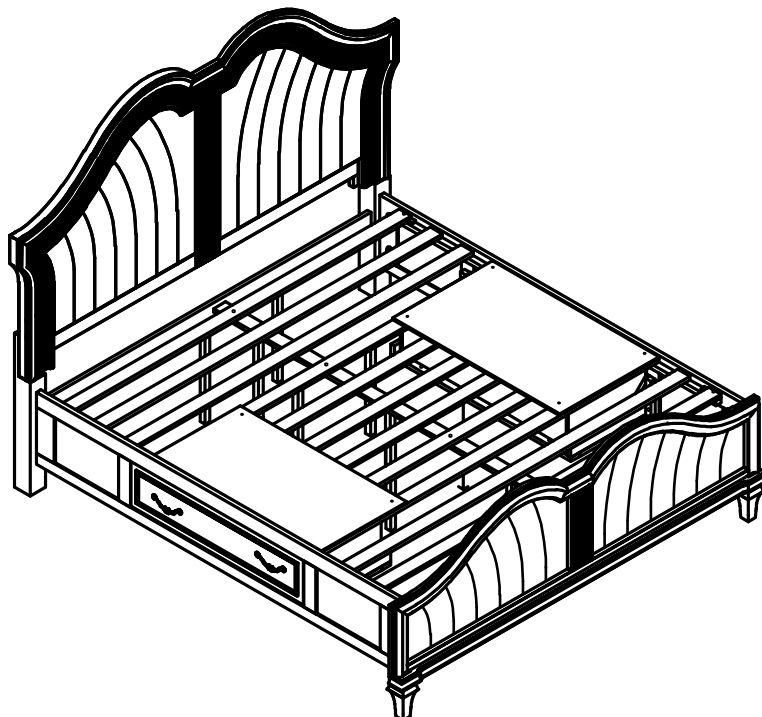
ITEM: **223390KE(B1-B4)**

ASSEMBLY INSTRUCTIONS

STEP 9



STEP 10
COMPLETE

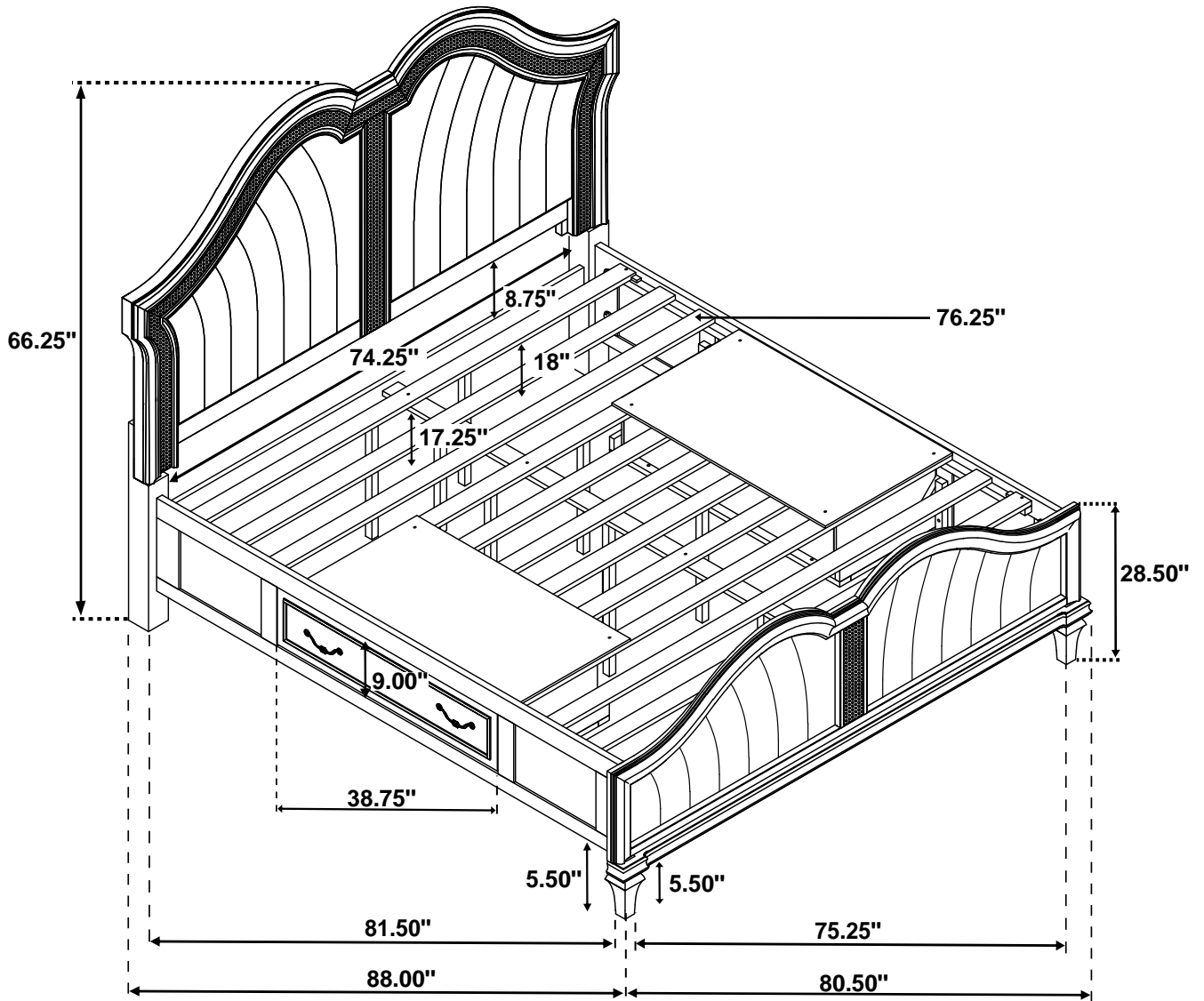


ITEM: 223390KE(B1-B4)



Inner Size : 76.25"W X 81.50"D

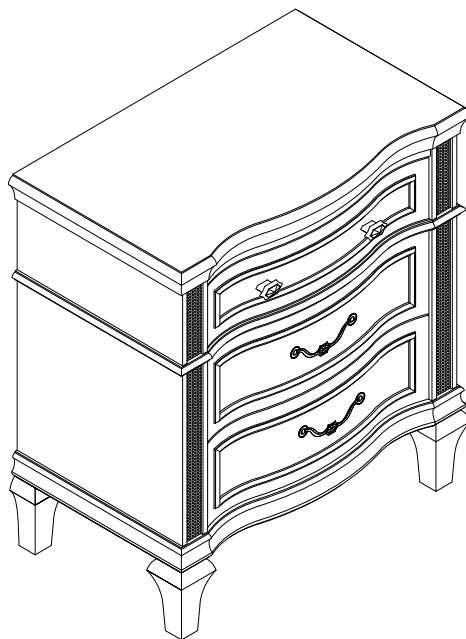
Inner Size of Drawer : 37.00"W X 17.25"D X 6.50"H X 0.50"T



Note: Dimension tolerance $\pm 5\%$



ASSEMBLY INSTRUCTIONS
COASTER FINE FURNITURE



Fine Furniture for every stage of life

223392
Nightstand

ITEM: **223392**



ASSEMBLY INSTRUCTIONS

ASSEMBLY TIPS:

1. Remove hardware from box and sort by size.
2. Please check to see that all hardware and parts are present prior to start of assembly.
3. Please follow attached instructions in the same sequence as numbered to assure fast & easy assembly.



WARNING!

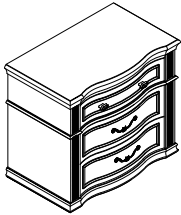
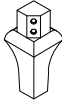
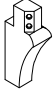

1. Don't attempt to repair or modify parts that are broken or defective. Please contact the store immediately.
2. This product is for home use only and not intended for commercial establishments.



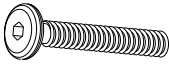



ASSEMBLY TIME

5 MINUTES

PARTS IDENTIFICATION

A	NIGHTSTAND		1PC	B	FRONT LEG		2PCS
C	RIGHT BACK LEG		1PC	D	LEFT BACK LEG		1PC

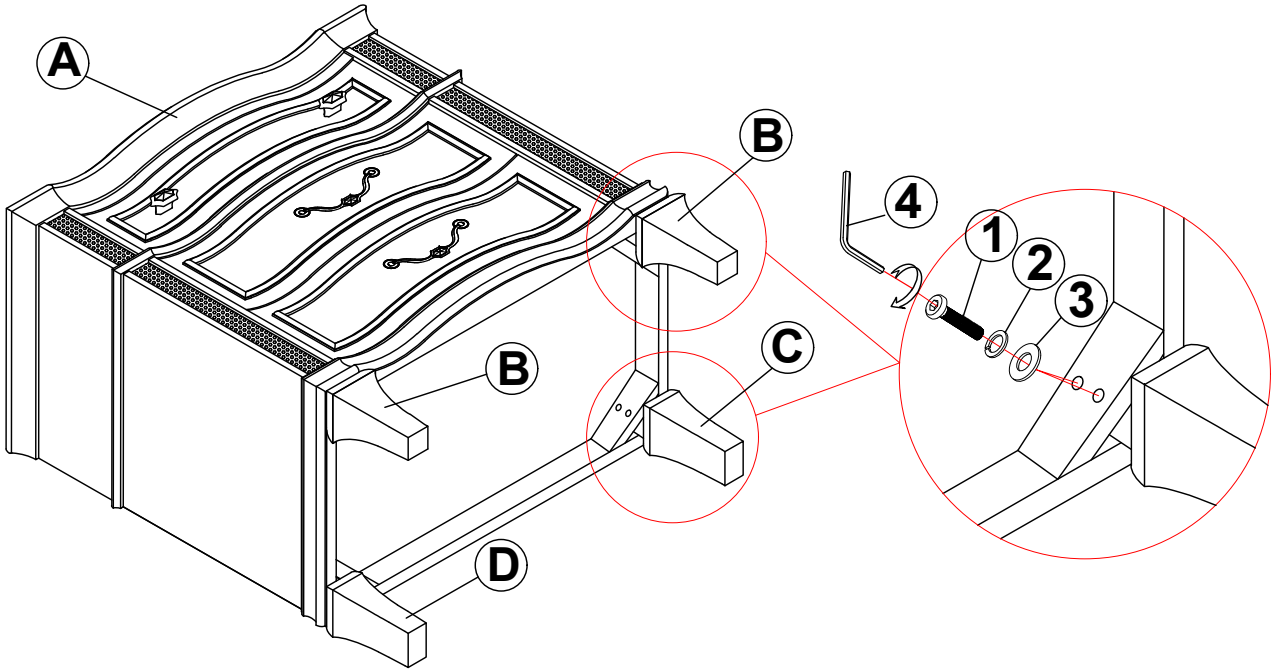
HARDWARE IDENTIFICATION

1	BOLT (Φ5/16" x 60mm - RBW)		8PCS	2	LOCK WASHER (Φ5/16" - RBW)		8PCS
3	FLAT WASHER (Φ5/16" - RBW)		8PCS	4	ALLEN WRENCH (4MM - RBW)		1PC

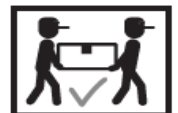
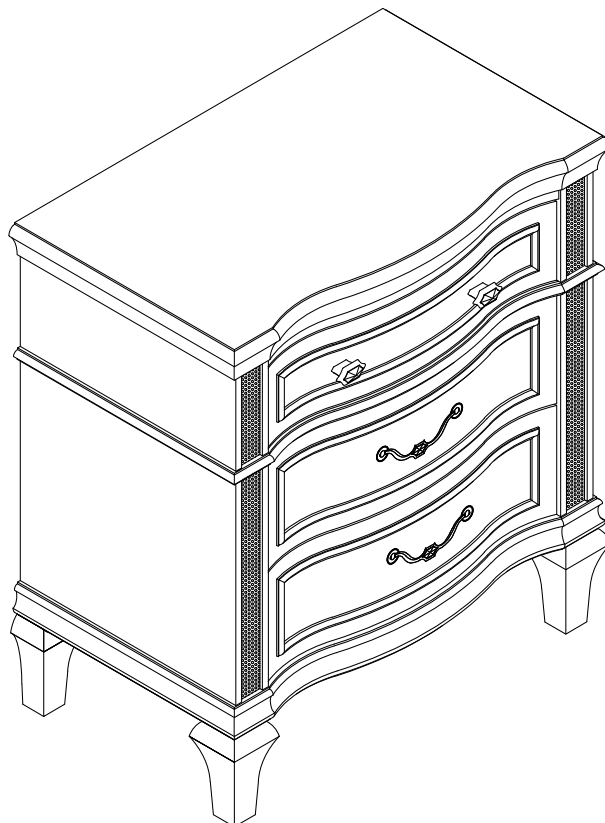
ITEM: **223392**

ASSEMBLY INSTRUCTIONS

STEP 1



STEP 2
COMPLETE



ITEM: **223392**

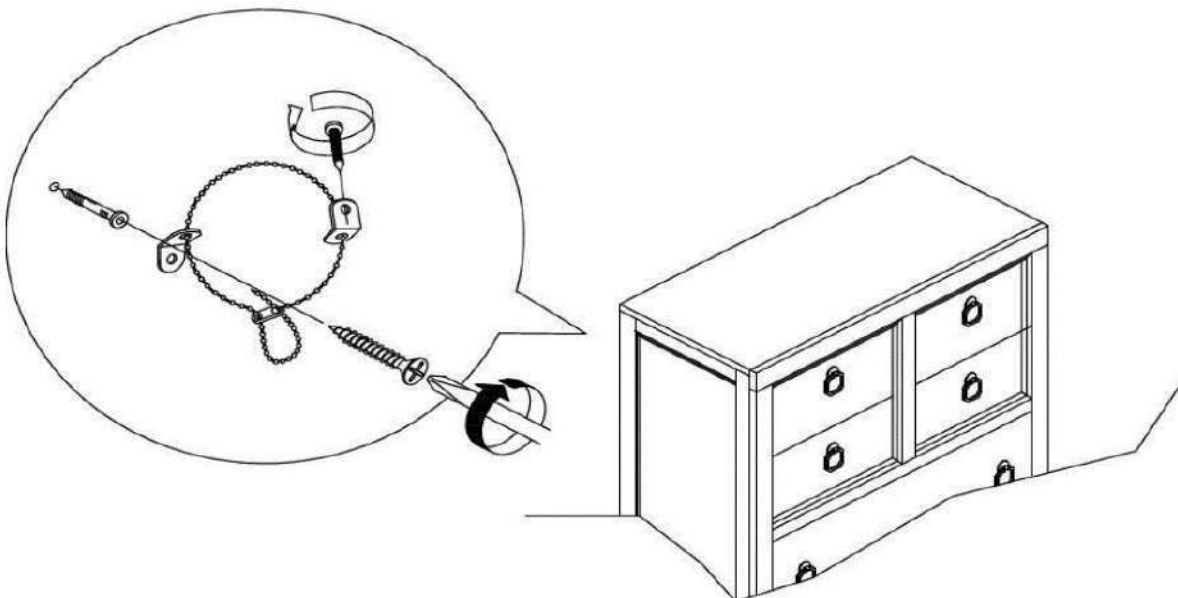


ANTI-TIPPING INSTALLMENT INSTRUCTIONS FURNITURE TIPPING RESTRAINT

WARNING

Injury may result from tipping furniture.
This restraint may protect against tipping furniture.
Do not allow children to climb on furniture.
This restraint is not a substitute for proper adult supervision.
Failure to detach this restraint before moving the furniture may result in injury and damage.

1. Attach one of the mounting brackets securely to the back edge of the furniture. Use the short screw.
2. Determine where the furniture is to be placed and mark location on the wall for the mounting bracket screw hole approximately 2" below the bracket mounted to the edge of the furniture.
3. Drill a 3/16" hole in the wall. Press the plastic wall plug into the hole and gently tap until the flange on the wall plug is against the wall surface.
4. Position the bracket over the wall plug and use the long screw to securely attach the bracket to the wall.
5. Place the furniture so the bracket on the back edge is in line with the bracket on the wall.
6. Lace an end of the cable tie down through each bracket. Bring both ends together and slide the beaded end of the cable tie through the keyhole shaped slot on the other end until snug. Pull down on the beaded end until it snap locks into the keyhole slot.
7. To double lock return the beaded end back through the keyhole as shown.
8. Check to make sure the cable tie is securely laced and locked to the brackets.

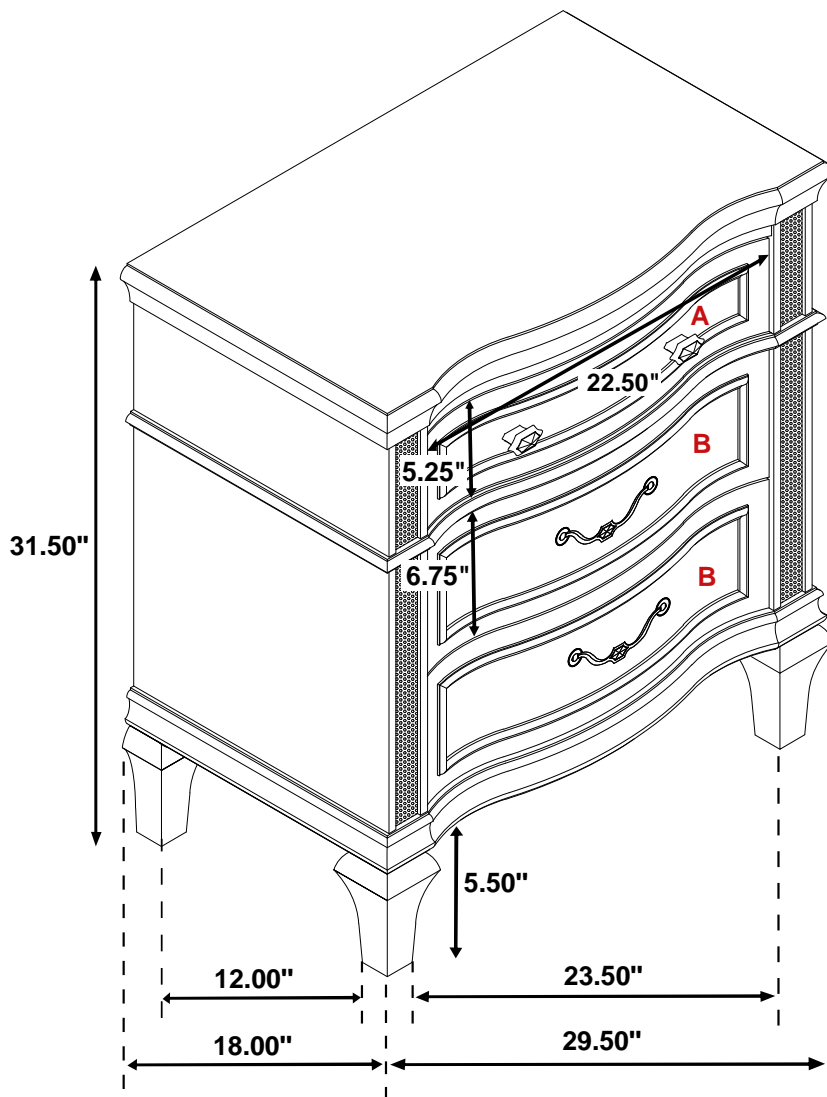


ITEM: **223392**



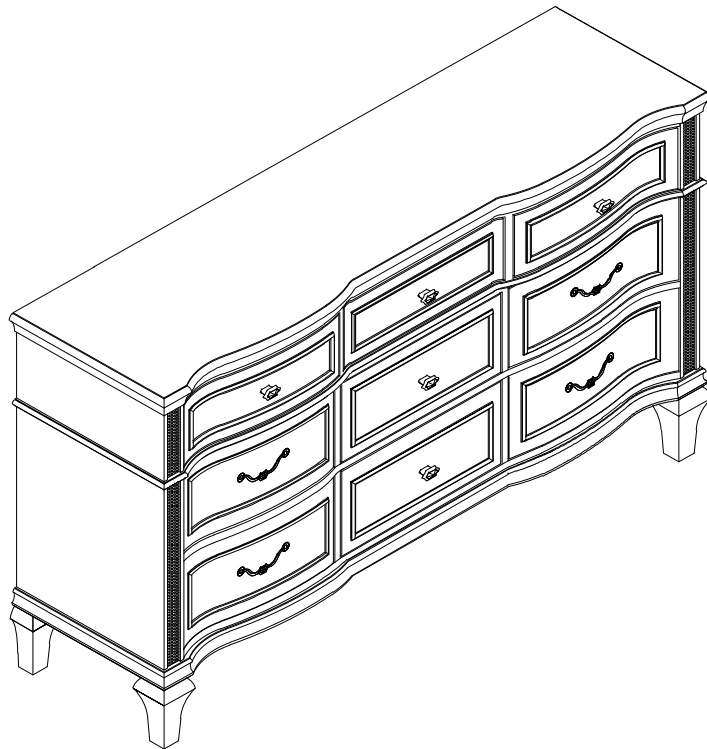
Inner Size of Drawer A: 20.50"W X 13.25"D X 3.25"H X 0.50"T

Inner Size of Drawer B: 20.50"W X 13.25"D X 4.75"H X 0.50"T



Note: Dimension tolerance $\pm 5\%$

ASSEMBLY INSTRUCTIONS
COASTER FINE FURNITURE



Fine Furniture for every stage of life

223393
Dresser

ITEM: **223393**



ASSEMBLY INSTRUCTIONS

ASSEMBLY TIPS:

1. Remove hardware from box and sort by size.
2. Please check to see that all hardware and parts are present prior to start of assembly.
3. Please follow attached instructions in the same sequence as numbered to assure fast & easy assembly.



WARNING!

1. Don't attempt to repair or modify parts that are broken or defective. Please contact the store immediately.
2. This product is for home use only and not intended for commercial establishments.



ASSEMBLY TIME

5 MINUTES

PARTS IDENTIFICATION

A	DRESSER		1PC	B	FRONT LEG		2PCS
C	RIGHT BACK LEG		1PC	D	LEFT BACK LEG		1PC
E	CENTER SUPPORT LEG WITH LEVELER		1PC				

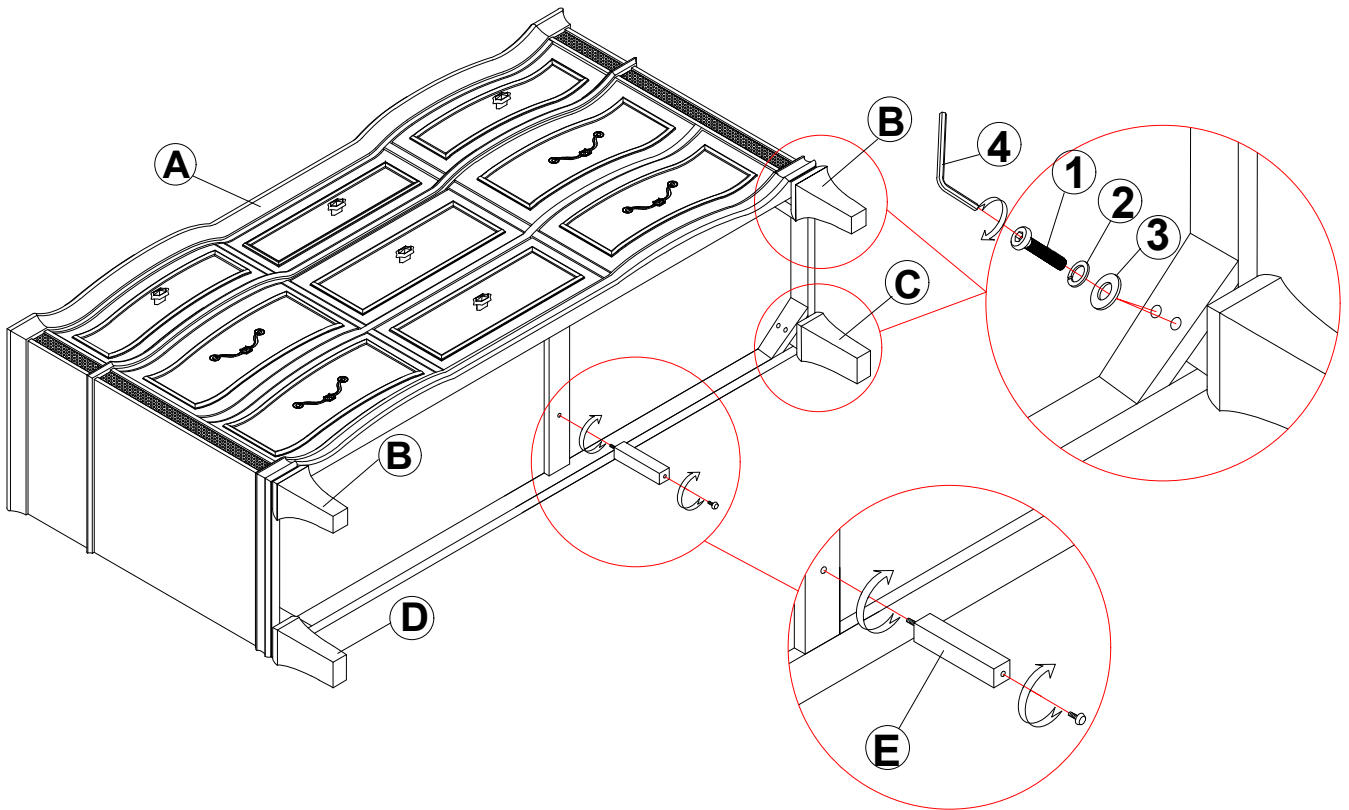
HARDWARE IDENTIFICATION

1	BOLT (Φ 5/16" x 60mm - RBW)		8PCS	2	LOCK WASHER (Φ 5/16" - RBW)		8PCS
3	FLAT WASHER (Φ 5/16" - RBW)		8PCS	4	ALLEN WRENCH (4MM - RBW)		1PC

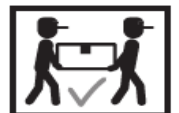
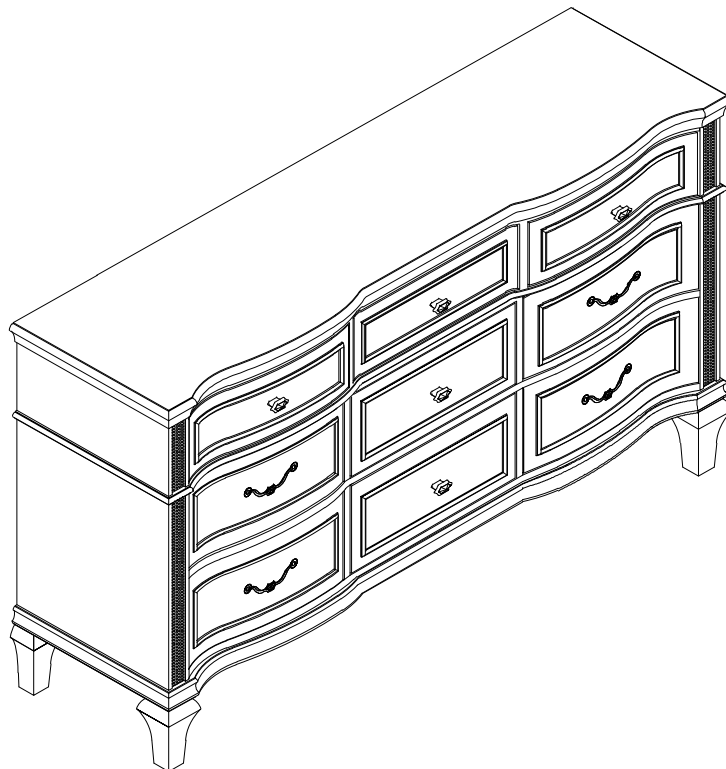
ITEM: **223393**

ASSEMBLY INSTRUCTIONS

STEP 1



STEP 2
COMPLETE



ITEM: 223393

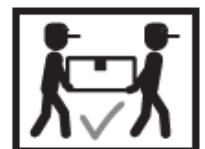
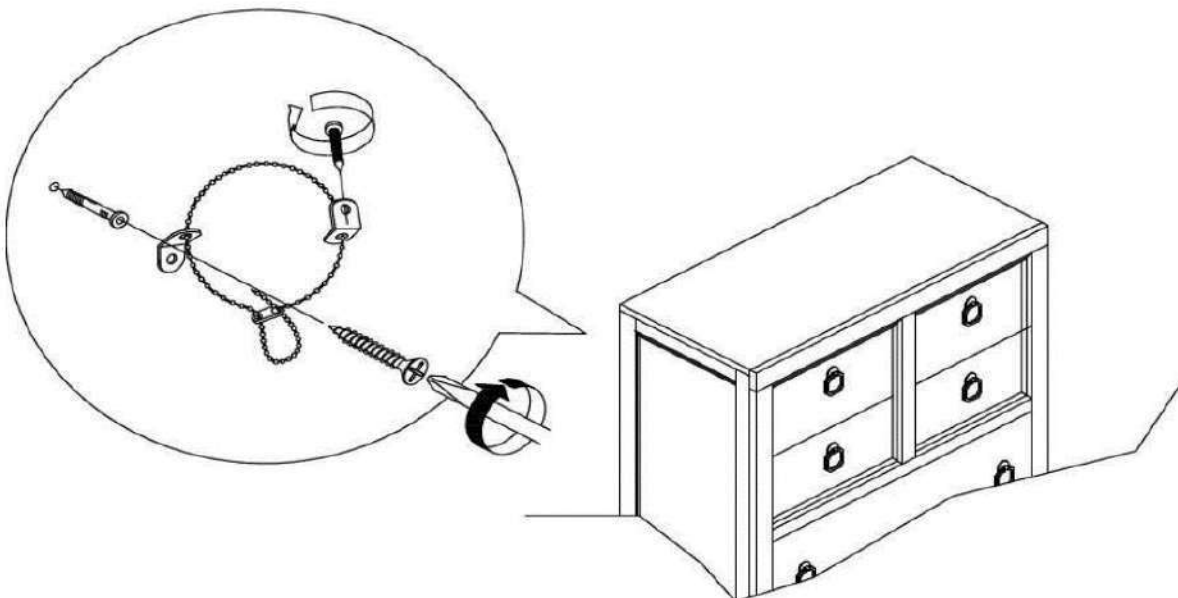


ANTI-TIPPING INSTALLMENT INSTRUCTIONS FURNITURE TIPPING RESTRAINT

WARNING

Injury may result from tipping furniture.
This restraint may protect against tipping furniture.
Do not allow children to climb on furniture.
This restraint is not a substitute for proper adult supervision.
Failure to detach this restraint before moving the furniture may result in injury and damage.

1. Attach one of the mounting brackets securely to the back edge of the furniture. Use the short screw.
2. Determine where the furniture is to be placed and mark location on the wall for the mounting bracket screw hole approximately 2" below the bracket mounted to the edge of the furniture.
3. Drill a 3/16" hole in the wall. Press the plastic wall plug into the hole and gently tap until the flange on the wall plug is against the wall surface.
4. Position the bracket over the wall plug and use the long screw to securely attach the bracket to the wall.
5. Place the furniture so the bracket on the back edge is in line with the bracket on the wall.
6. Lace an end of the cable tie down through each bracket. Bring both ends together and slide the beaded end of the cable tie through the keyhole shaped slot on the other end until snug. Pull down on the beaded end until it snap locks into the keyhole slot.
7. To double lock return the beaded end back through the keyhole as shown.
8. Check to make sure the cable tie is securely laced and locked to the brackets.



ITEM: **223393**

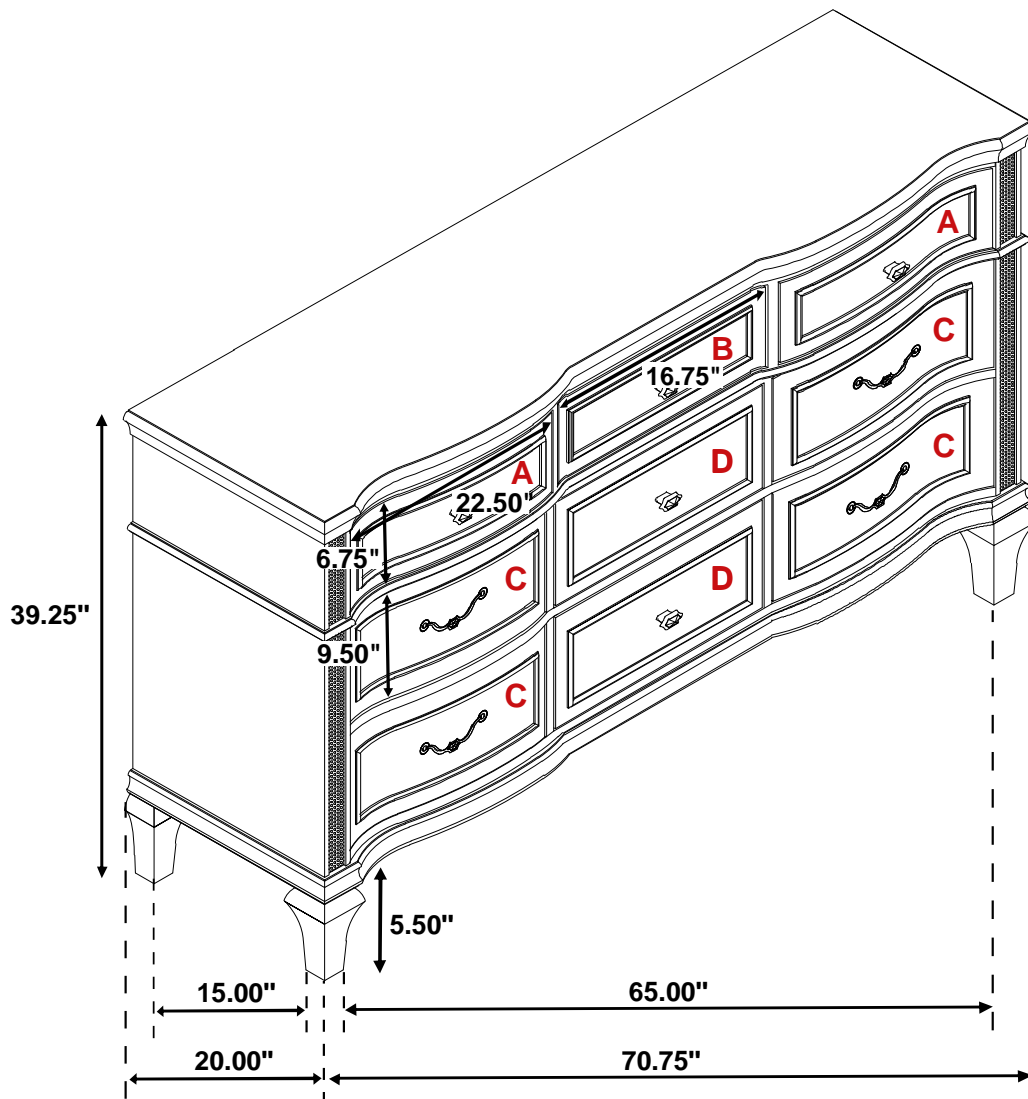


Inner Size of Drawer A: 20.50"W X 14.25"D X 4.75"H X 0.50"T

Inner Size of Drawer B: 15.00"W X 13.00"D X 4.75"H X 0.50"T

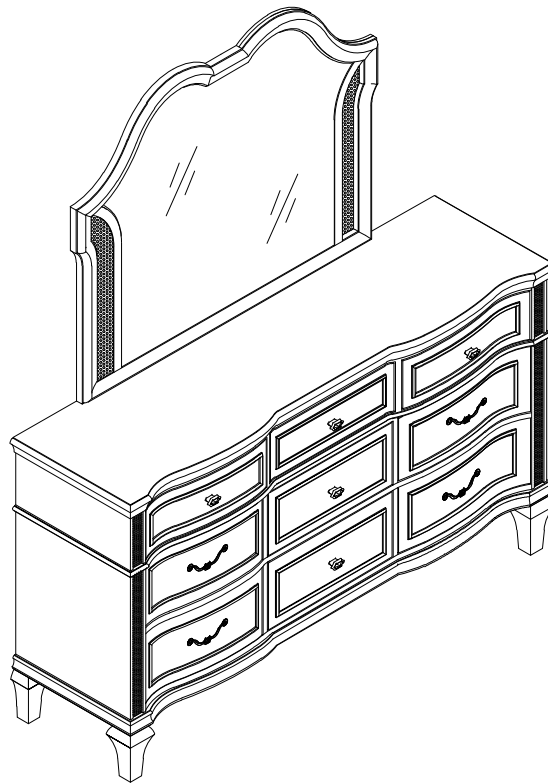
Inner Size of Drawer C: 20.50"W X 14.25"D X 7.00"H X 0.50"T

Inner Size of Drawer D: 15.00"W X 13.00"D X 7.00"H X 0.50"T



Note: Dimension tolerance $\pm 5\%$

ASSEMBLY INSTRUCTIONS
COASTER FINE FURNITURE



Fine Furniture for every stage of life

223394
Mirror

ITEM: **223394**



ASSEMBLY INSTRUCTIONS

ASSEMBLY TIPS:

1. Remove hardware from box and sort by size.
2. Please check to see that all hardware and parts are present prior to start of assembly.
3. Please follow attached instructions in the same sequence as numbered to assure fast & easy assembly.



WARNING!

1. Don't attempt to repair or modify parts that are broken or defective. Please contact the store immediately.
2. This product is for home use only and not intended for commercial establishments.

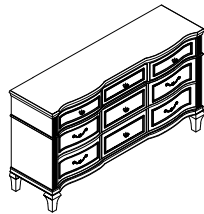


ASSEMBLY TIME

5 MINUTES

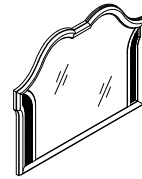
PARTS IDENTIFICATION

A
DRESSER
FROM BOX
ITEM #223393



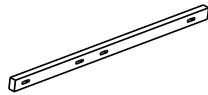
1PC

B
MIRROR



1PC

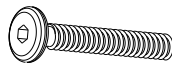
C
MIRROR SUPPORT
(PACKED WITH
DRESSER)



2PCS

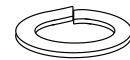
HARDWARE IDENTIFICATION

1
BOLT
($\Phi 1/4"$ x 38mm - RBW)



6PCS

2
LOCK WASHER
($\Phi 1/4"$ - RBW)



6PCS

3
FLAT WASHER
($\Phi 1/4"$ - RBW)



6PCS

4
ALLEN WRENCH
(4MM - RBW)

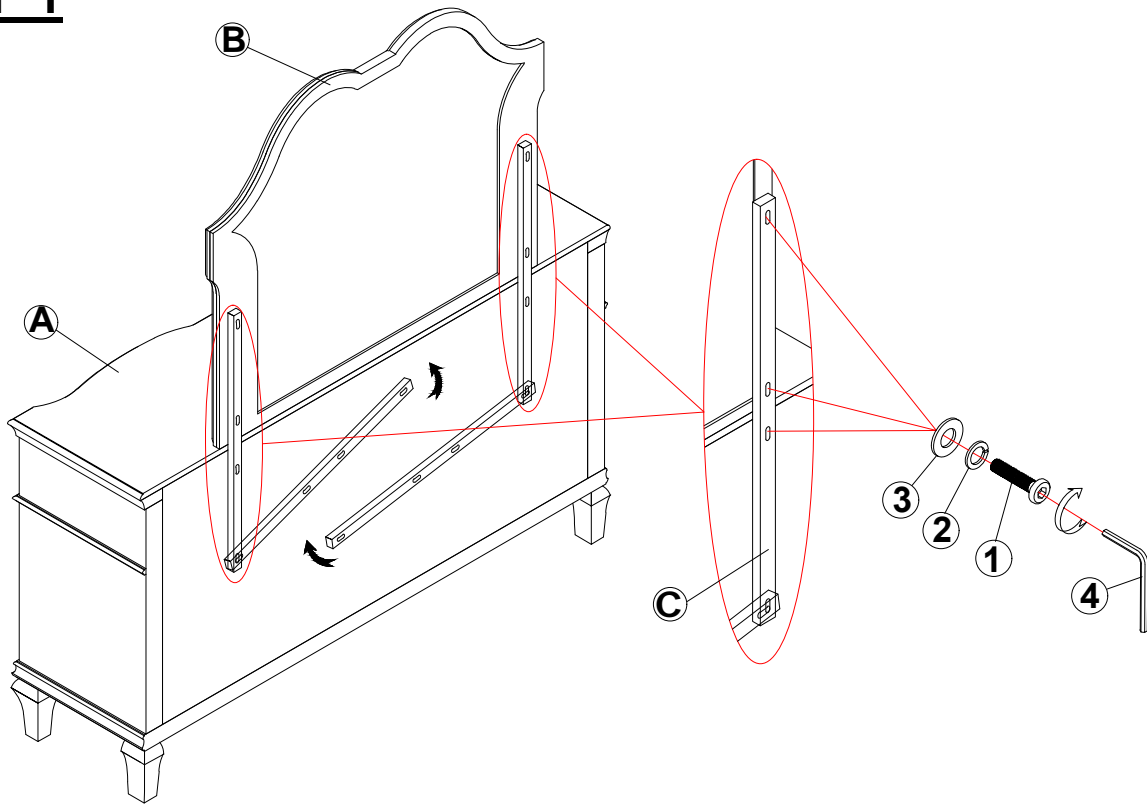


1PC

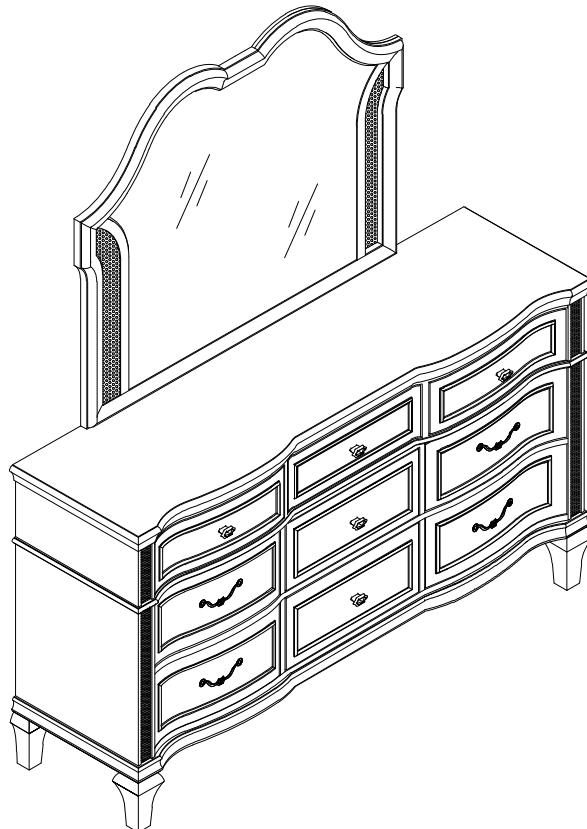
ITEM: **223394**

ASSEMBLY INSTRUCTIONS

STEP 1

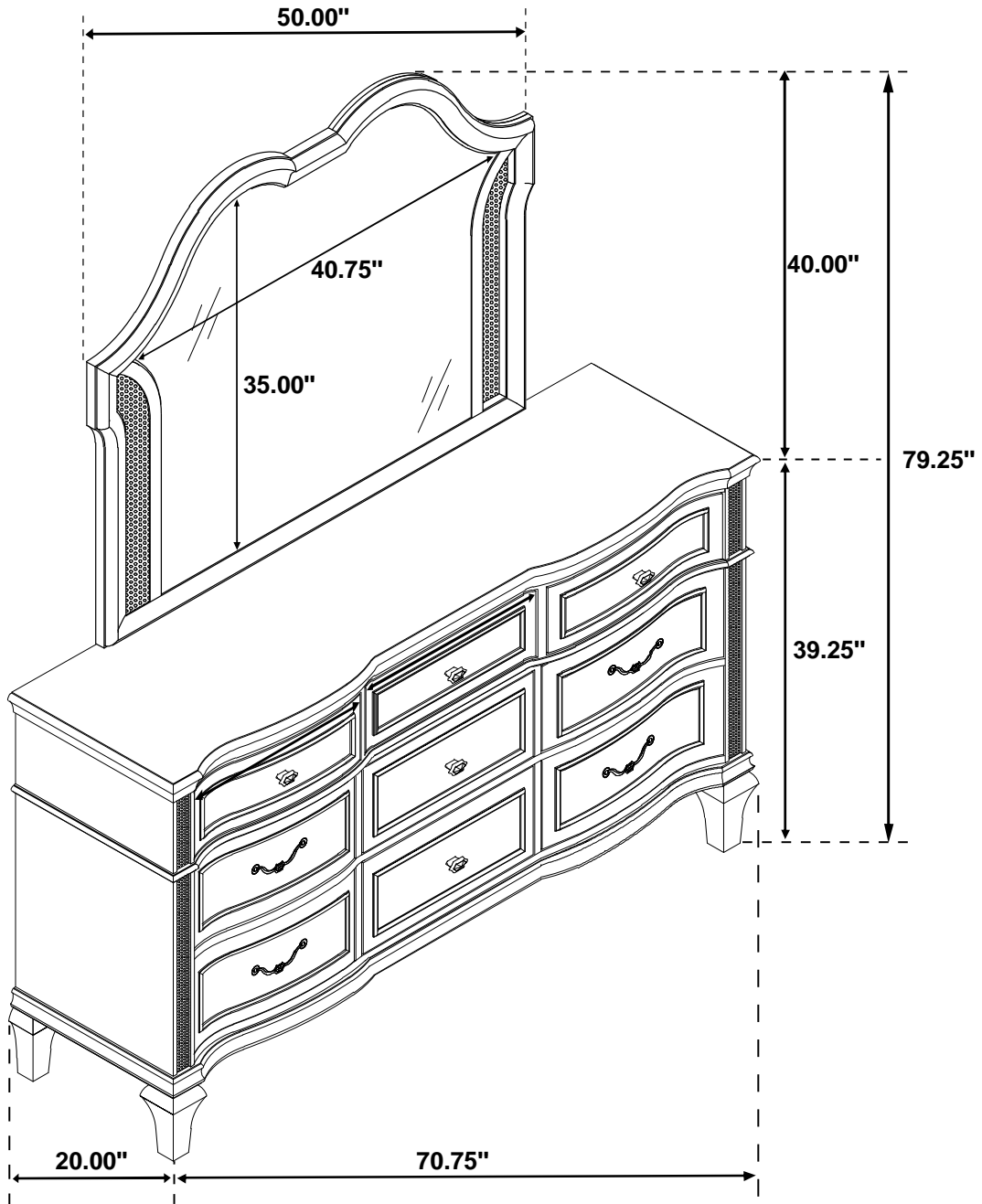


STEP 2
COMPLETE



ITEM:223394

COASTER
FINE FURNITURE



Note: Dimension tolerance $\pm 5\%$