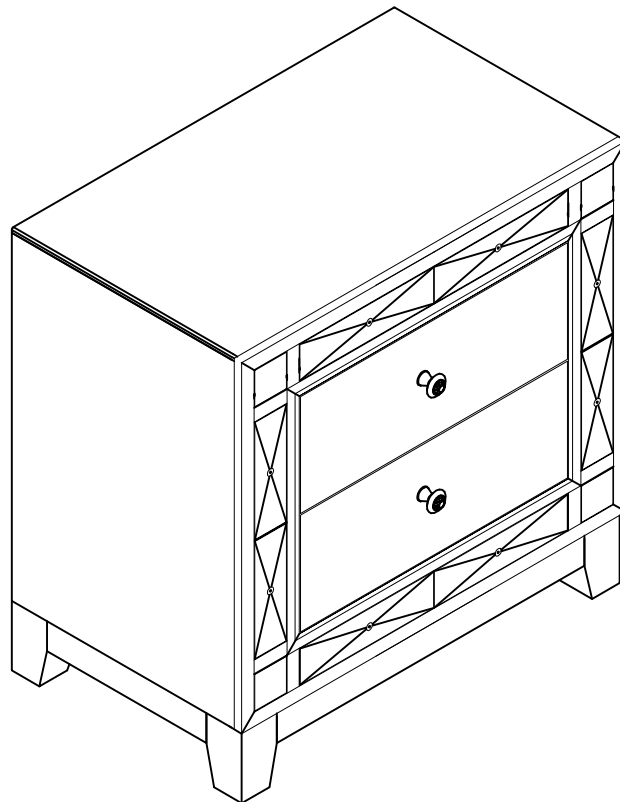


ASSEMBLY INSTRUCTIONS
COASTER FINE FURNITURE



Fine Furniture for every stage of life

204922
Nightstand

ITEM:204922



ASSEMBLY INSTRUCTIONS

ASSEMBLY TIPS:

1. Remove hardware from box and sort by size
2. Please check to see that all hardware and parts are present prior to start of assembly.
3. Please follow attached instruction in the same sequence as numbered to assure fast & easy assembly.



WARNING!

1. Don't attempt to repair or modify parts that are broken or defective. Please contact the store immediately.
2. This product is for home use only and not intended for commercial establishments.



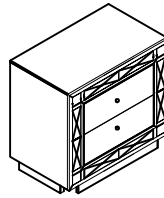
ASSEMBLY TIME

10 MINUTES

PARTS IDENTIFICATION

AN

NIGHTSTAND



1PC

BN

LEG

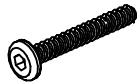


4PCS

HARDWARE IDENTIFICATION

1

BOLT
(1/4" x 50mm- RBW)



8PCS

2

LOCK WASHER
(1/4" - RBW)



8PCS

3

FLAT WASHER
(1/4" - RBW)



8PCS

4

ALLEN WRENCH
(4MM - RBW)



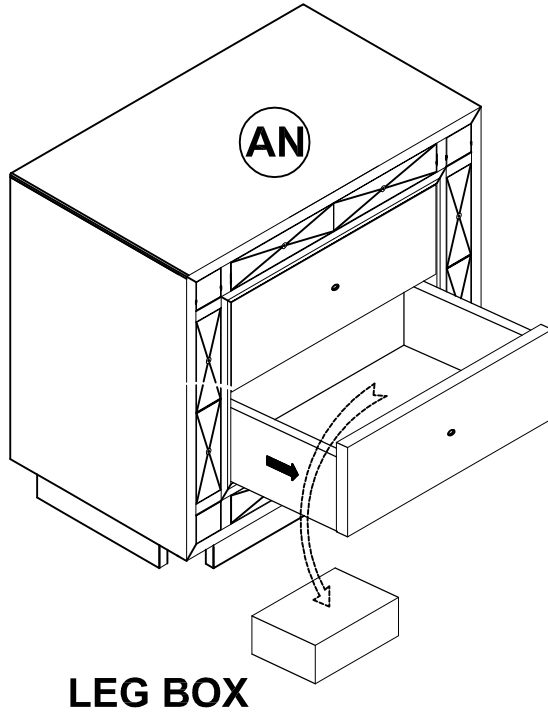
1PC

NOTE:

Phillips head screw driver is required in the assembly process; however, manufacturer does not provide this item .

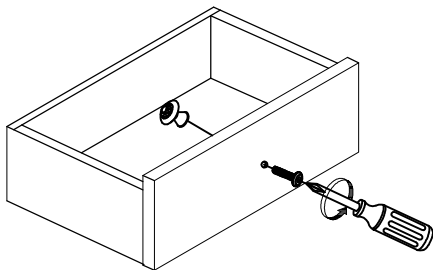
ITEM: **204922**

ASSEMBLY INSTRUCTIONS
STEP 1

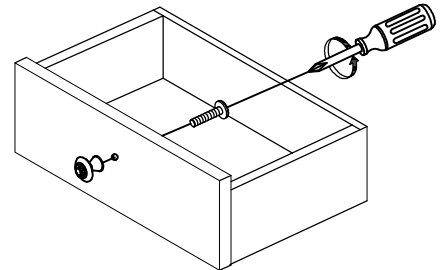


LEG BOX

STEP 2



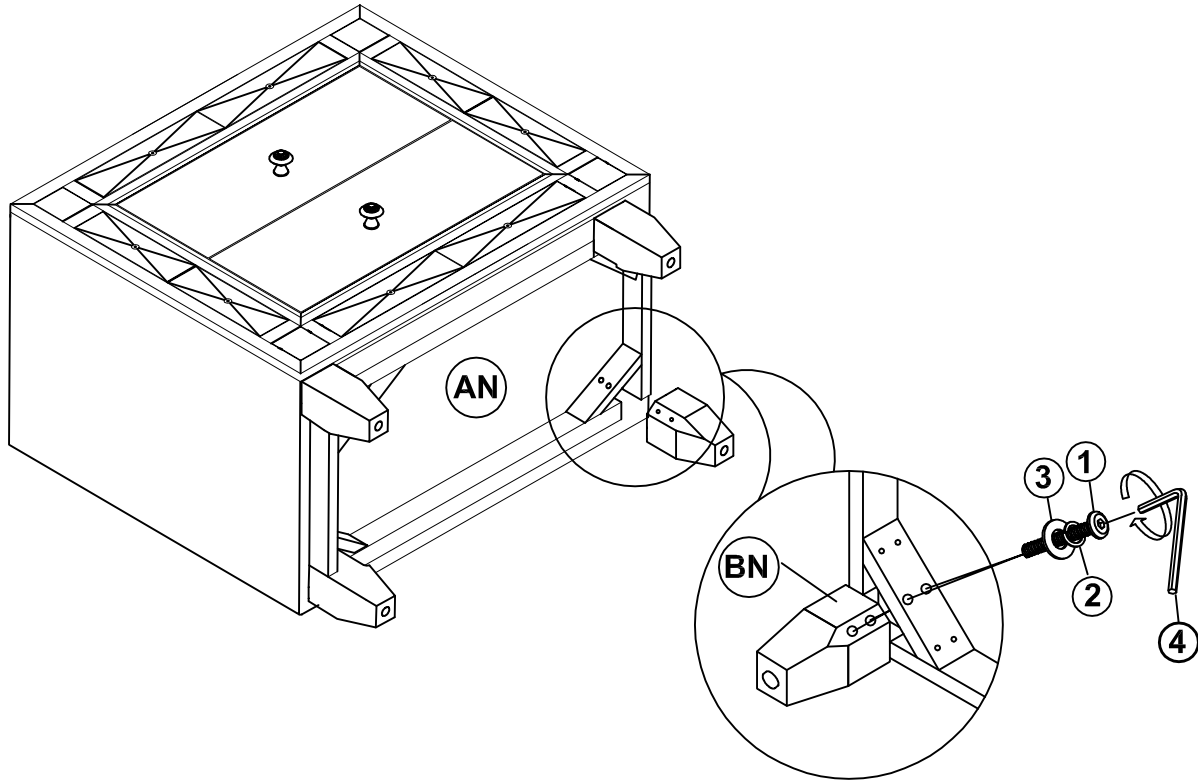
STEP 3



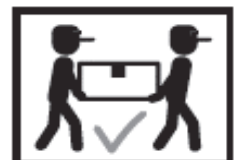
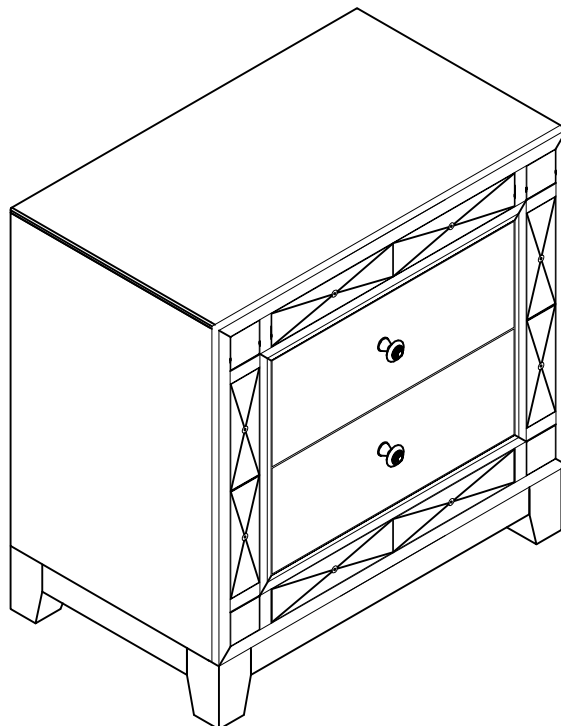
ITEM: **204922**

ASSEMBLY INSTRUCTIONS

STEP 4



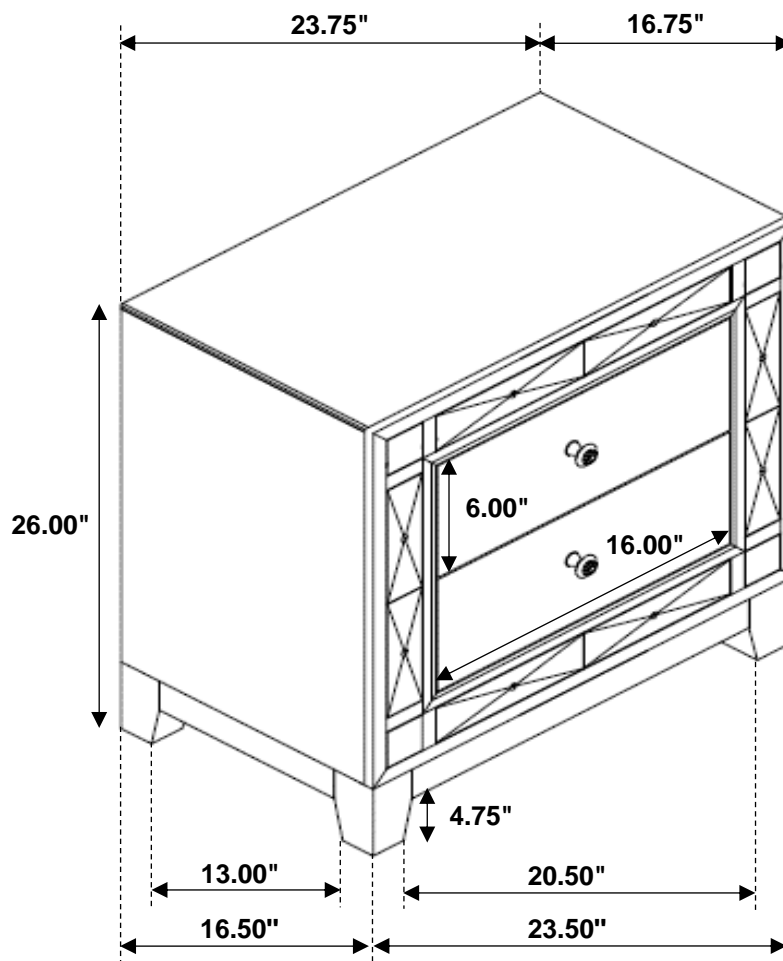
STEP 5
COMPLETE



ITEM:204922

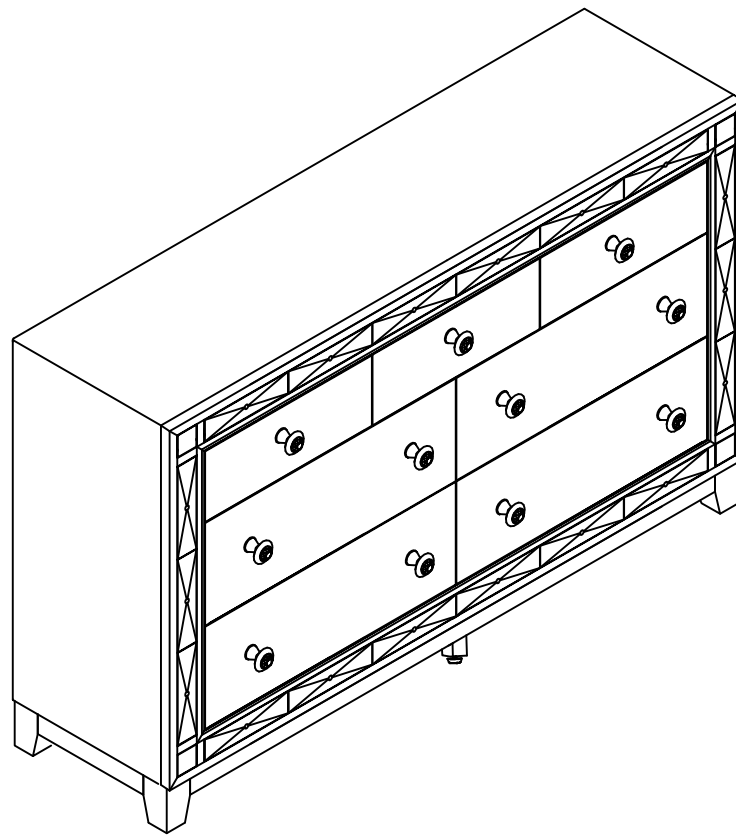
COASTER
FINE FURNITURE

Inner Size of Drawer : 14.50"W X 13.50"D X 3.50"H X 0.50"T



Note: Dimension tolerance $\pm 5\%$

ASSEMBLY INSTRUCTIONS
COASTER FINE FURNITURE



Fine Furniture for every stage of life

204923
Dresser

ITEM:204923

ASSEMBLY INSTRUCTIONS



ASSEMBLY TIPS:

1. Remove hardware from box and sort by size
2. Please check to see that all hardware and parts are present prior to start of assembly.
3. Please follow attached instruction in the same sequence as numbered to assure fast & easy assembly.



WARNING!

1. Don't attempt to repair or modify parts that are broken or defective. Please contact the store immediately.
2. This product is for home use only and not intended for commercial establishments.

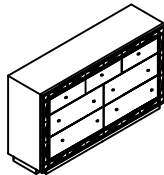


ASSEMBLY TIME

15 MINUTES

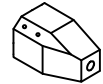
PARTS IDENTIFICATION

AN DRESSER



1PC

BN LEG



4PCS

CN CENTER
SUPPORT
LEG WITH
LEVELER



1PC

HARDWARE IDENTIFICATION

1 BOLT
(1/4" x 50mm - RBW)



8PCS

2 LOCK WASHER
(1/4" - RBW)



8PCS

3 FLAT WASHER
(1/4" - RBW)



8PCS

4 ALLEN WRENCH
(4MM - RBW)



1PC

NOTE:

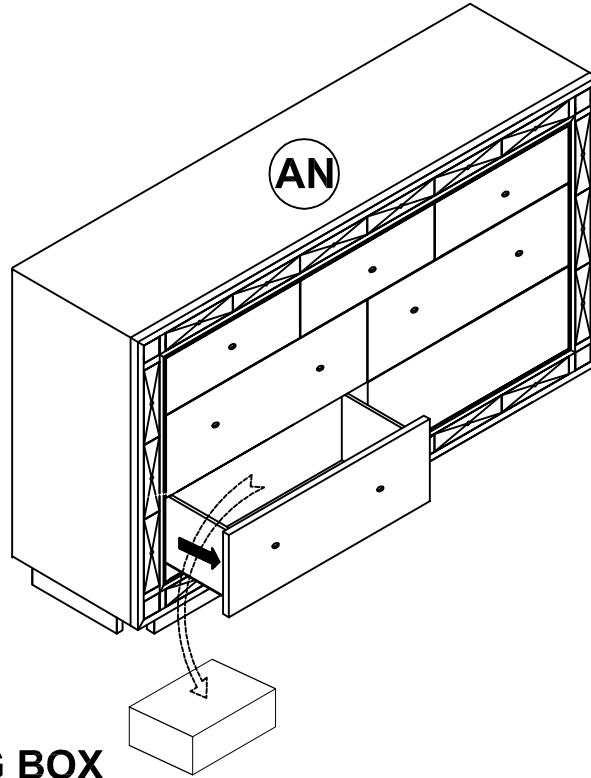
Phillips head screw driver is required in the assembly process; however, manufacturer does not provide this item .

ITEM:204923

ASSEMBLY INSTRUCTIONS

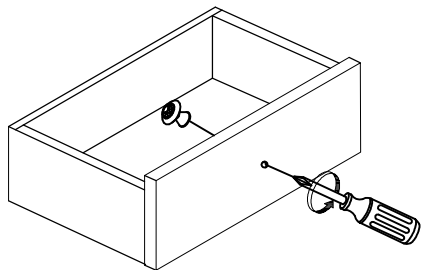
STEP 1

COASTER[®]
FINE FURNITURE

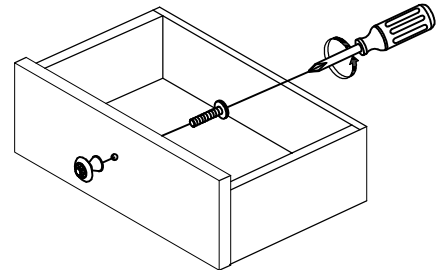


LEG BOX

STEP 2



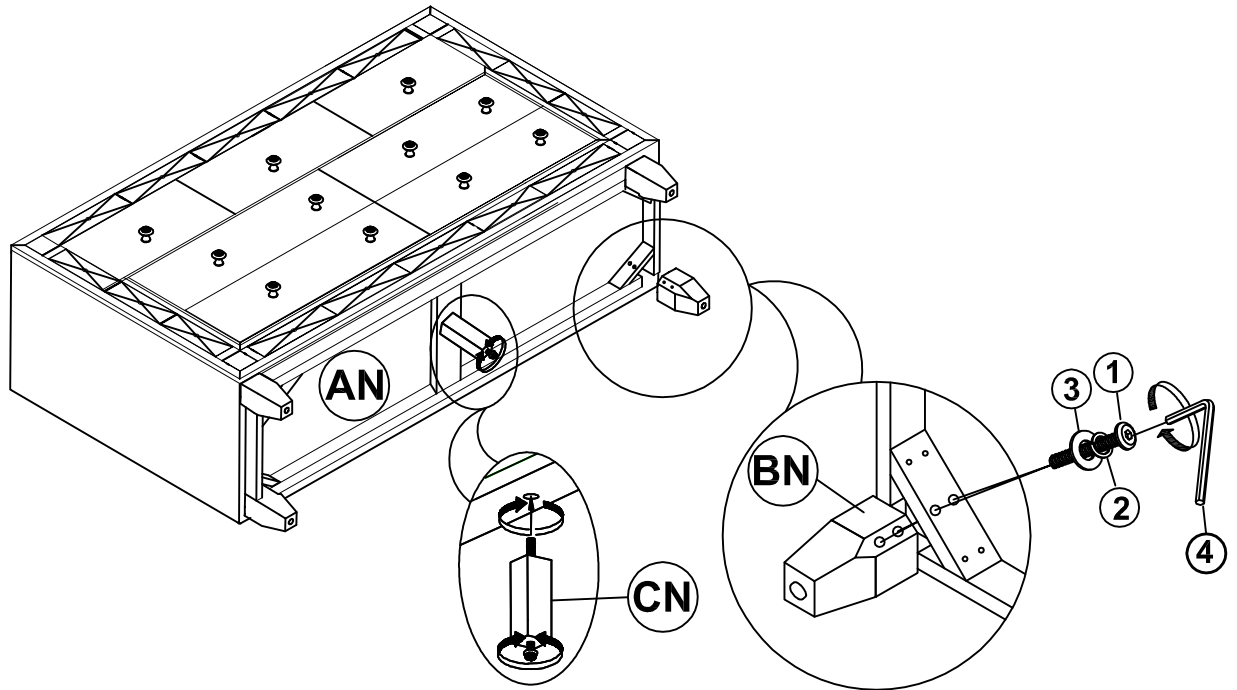
STEP 3



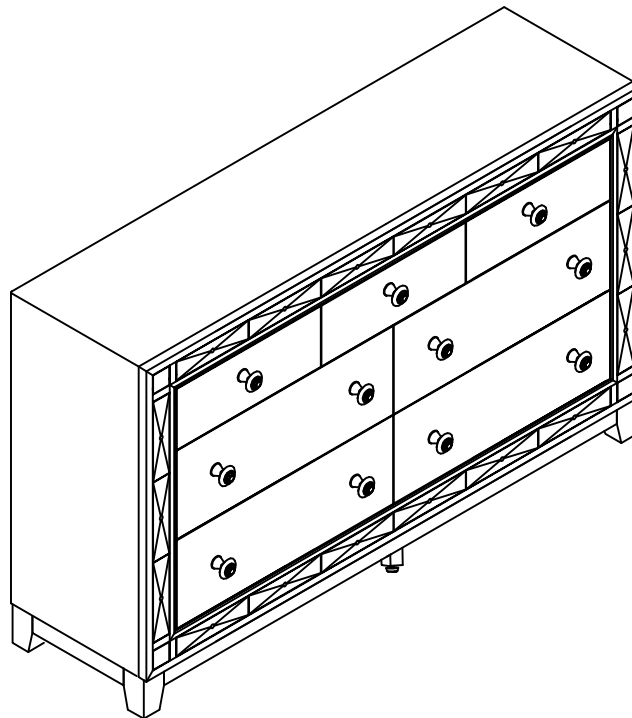
ITEM: **204923**

ASSEMBLY INSTRUCTIONS

STEP 4



STEP 5
COMPLETE



ANTI-TIPPING INSTALLMENT INSTRUCTIONS

FURNITURE TIPPING RESTRAINT

WARNING

Injury may result from tipping furniture.

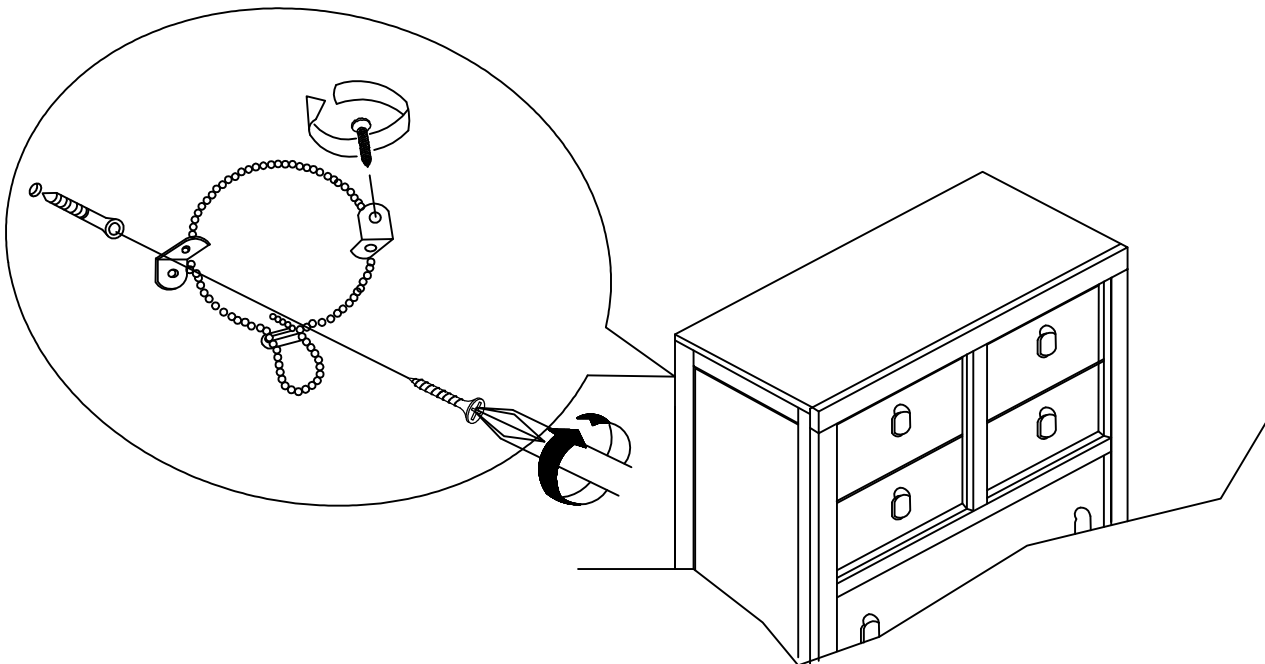
This restraint may protect against tipping furniture.

Do not allow children to climb on furniture.

This restraint is not a substitute for proper adult supervision.

Failure to detach this restraint before moving the furniture may result in injury and damage .

1. Attach one of the mounting brackets securely to the back edge of the furniture. Use the short screw.
2. Determine where the furniture is to be placed and mark location on the wall for the mounting bracket screw hole approximately 2" below the bracket mounted to the edge of the furniture.
3. Drill a 3/16" hole in the wall. Press the plastic wall plug into the hole and gently tap until the flange on the wall plug is against the wall surface.
4. Position the bracket over the wall plug and use the long screw to securely attach the bracket to the wall.
5. Place the furniture so the bracket on the back edge is in line with the bracket on the wall.
6. Lace an end of the cable tie down through each bracket. Bring both ends together and slide the beaded end of the cable tie through the keyhole shaped slot on the other end until snug. Pull down on the beaded end until it snap locks into the keyhole slot.
7. To double lock return the beaded end back through the keyhole as shown.
8. Check to make sure the cable tie is securely laced and locked to the brackets.

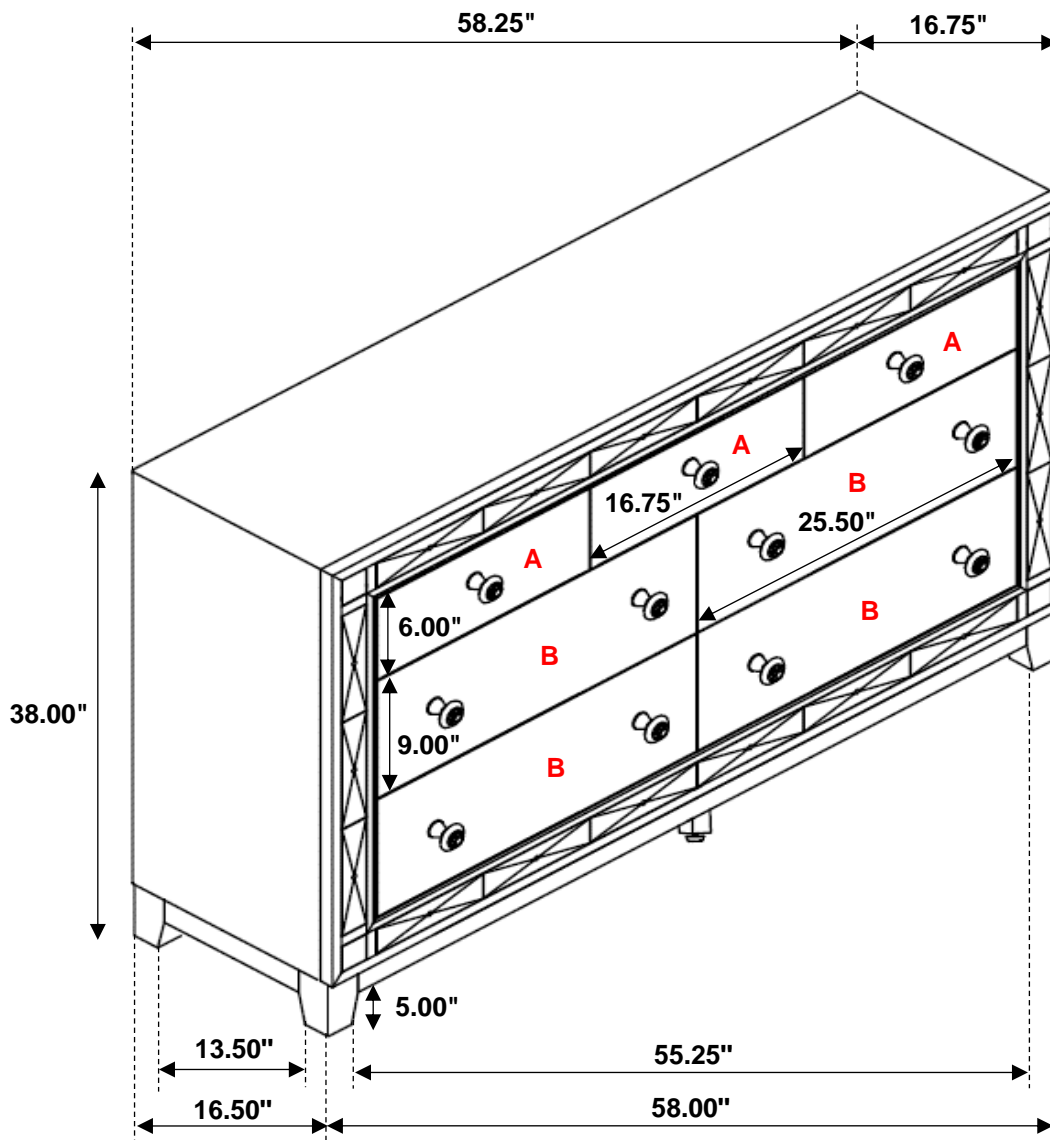


ITEM:204923



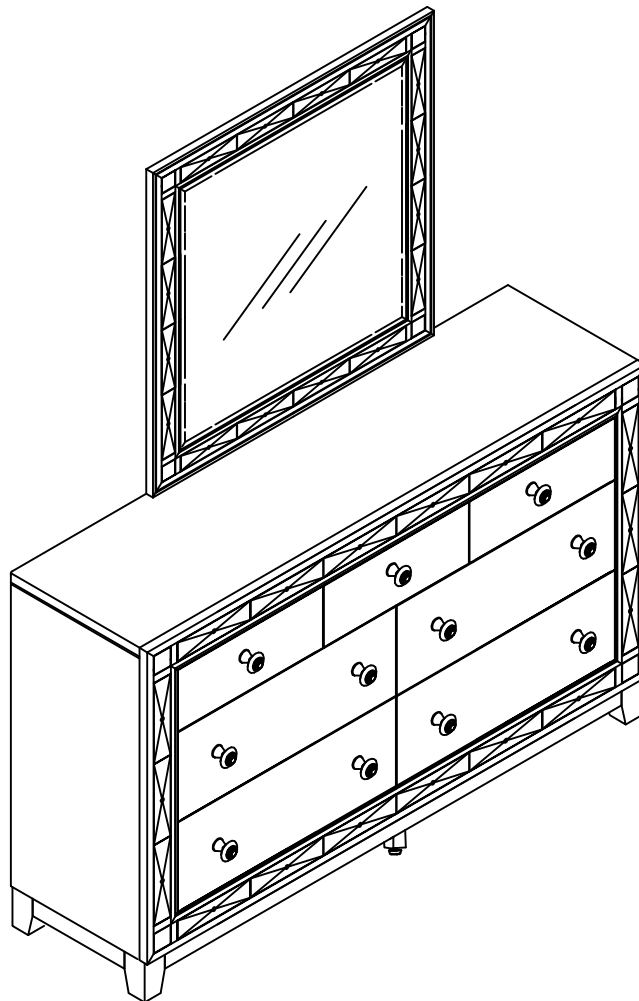
Inner Size of Drawer A : 14.75"W X 13.50"D X 3.50"H X 0.50"T

Inner Size of Drawer B : 23.25"W X 13.50"D X 6.50"H X 0.50"T



Note: Dimension tolerance $\pm 5\%$

ASSEMBLY INSTRUCTIONS
COASTER FINE FURNITURE



Fine Furniture for every stage of life

204924
Mirror

ITEM: 204924

ASSEMBLY INSTRUCTIONS

ASSEMBLY TIPS:

1. Remove hardware from box and sort by size
2. Please check to see that all hardware and parts are present prior to start of assembly.
3. Please follow attached instruction in the same sequence as numbered to assure fast & easy assembly.



WARNING!

1. Don't attempt to repair or modify parts that are broken or defective. Please contact the store immediately.
2. This product is for home use only and not intended for commercial establishments.



ASSEMBLY TIME

15 MINUTES

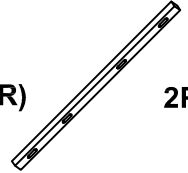
PARTS IDENTIFICATION

AN MIRROR



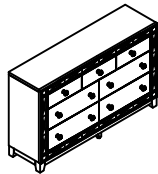
1PC

MIRROR SUPPORT
BN (PACKED WITH DRESSER)



2PCS

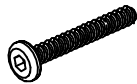
CN DRESSER
FROM BOX
ITEM# 204923



1PC

HARDWARE IDENTIFICATION

1 BOLT
(1/4" x 38mm - RBW)



6PCS

2 LOCK WASHER
(1/4" - RBW)



6PCS

3 FLAT WASHER
(1/4" - RBW)



6PCS

4 ALLEN WRENCH
(4MM - RBW)

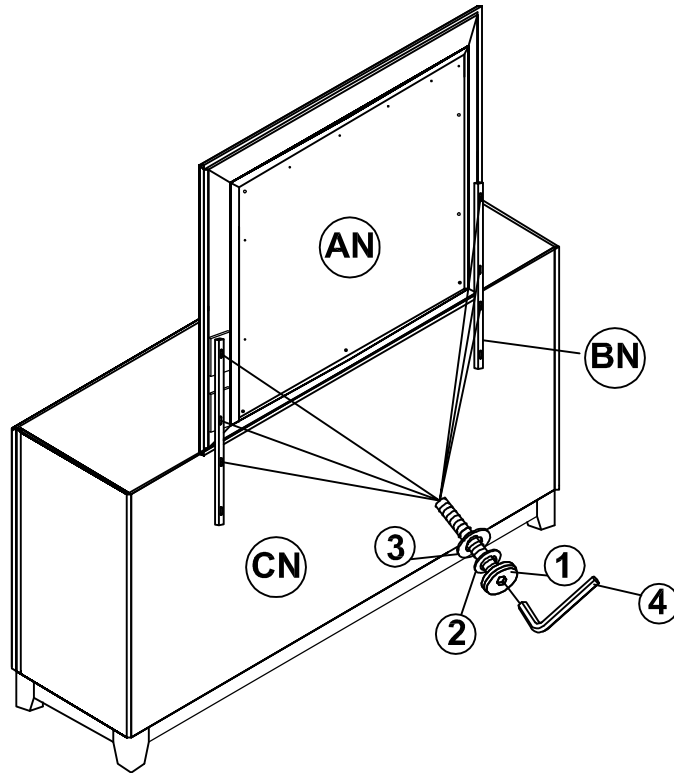


1PC

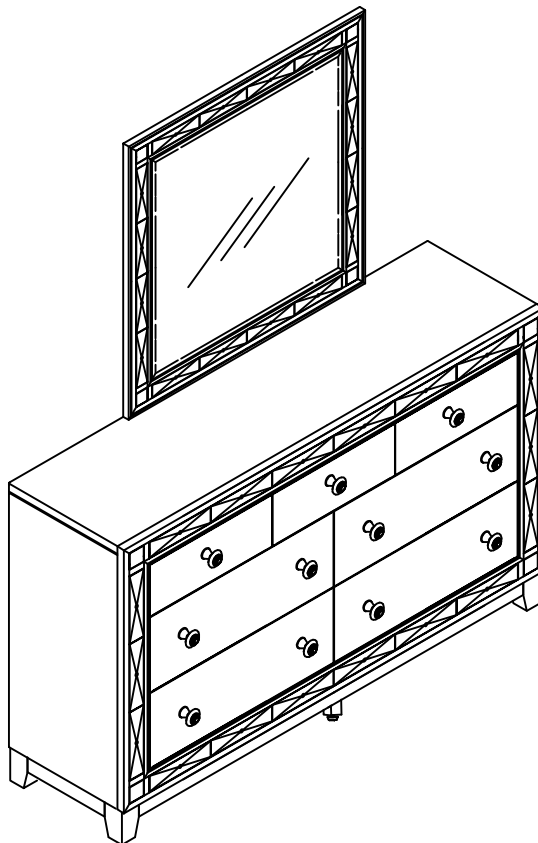
ITEM: **204924**

ASSEMBLY INSTRUCTIONS

STEP 1

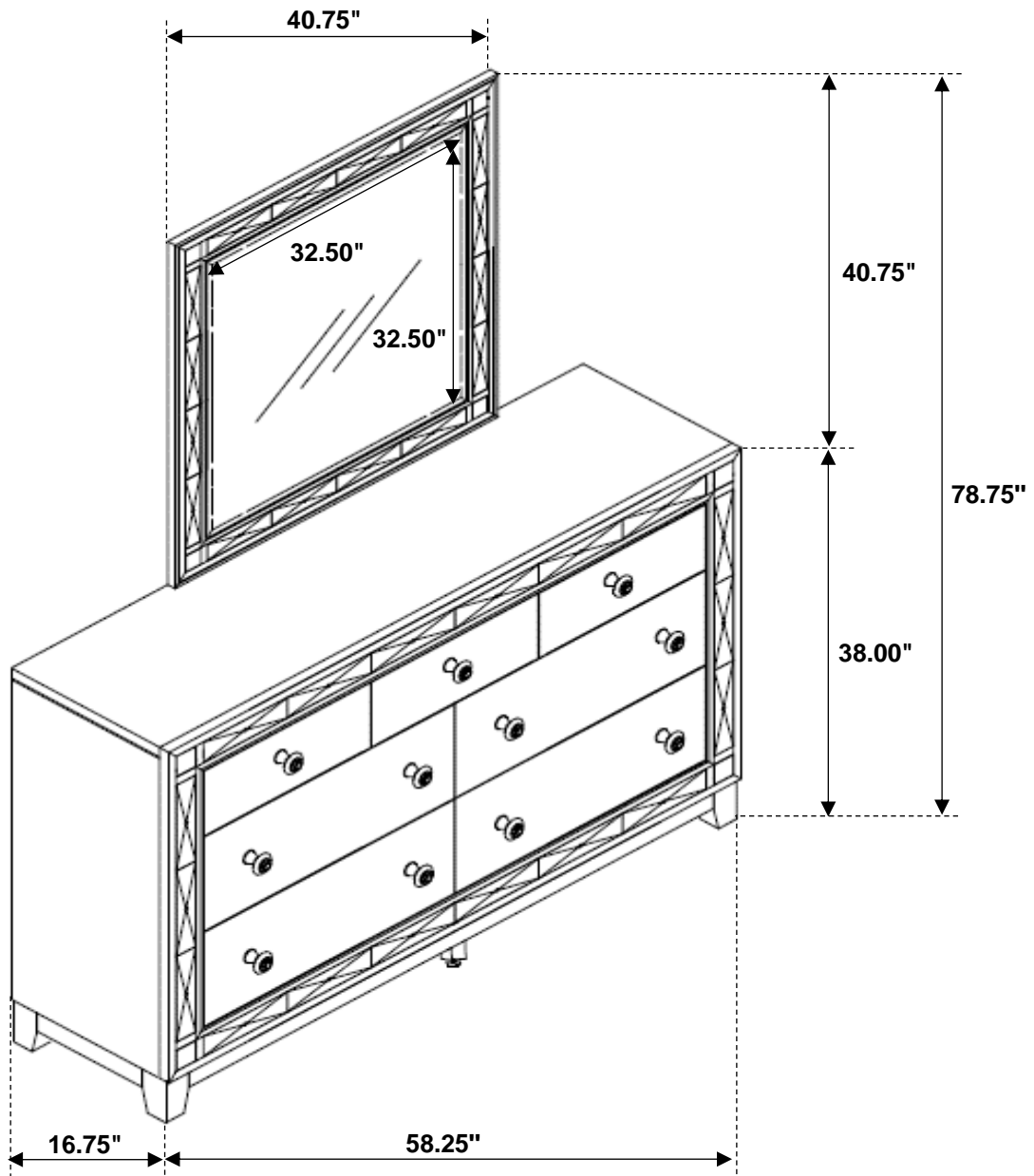


STEP 2
COMPLETE



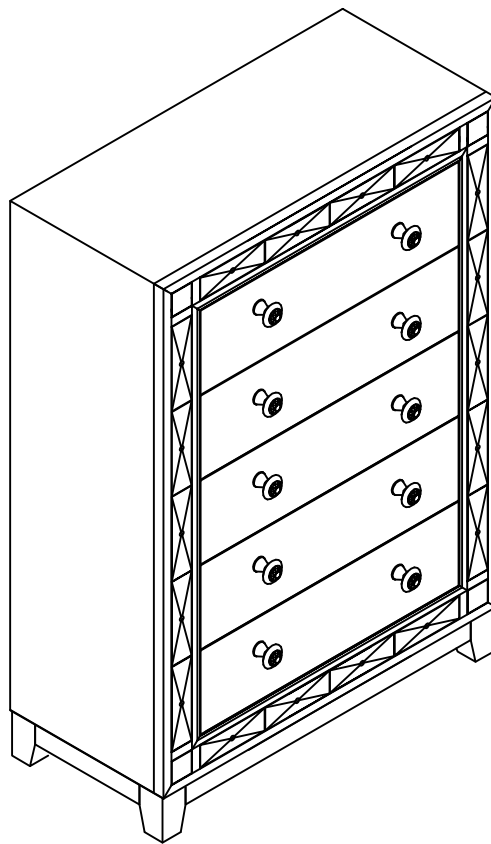
ITEM:204924

COASTER
FINE FURNITURE



Note: Dimension tolerance $\pm 5\%$

ASSEMBLY INSTRUCTIONS
COASTER FINE FURNITURE



Fine Furniture for every stage of life

204925
Chest

ITEM:204925

ASSEMBLY INSTRUCTIONS



ASSEMBLY TIPS:

1. Remove hardware from box and sort by size
2. Please check to see that all hardware and parts are present prior to start of assembly.
3. Please follow attached instruction in the same sequence as numbered to assure fast & easy assembly.

WARNING!



1. Don't attempt to repair or modify parts that are broken or defective. Please contact the store immediately.
2. This product is for home use only and not intended for commercial establishments.



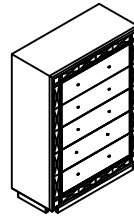
ASSEMBLY TIME

10 MINUTES

PARTS IDENTIFICATION

AN

CHEST



1PC

BN

LEG

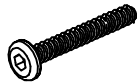


4PCS

HARDWARE IDENTIFICATION

1

BOLT
(1/4" x 50mm- RBW)



8PCS

2

LOCK WASHER
(1/4" - RBW)



8PCS

3

FLAT WASHER
(1/4" - RBW)



8PCS

4

ALLEN WRENCH
(4MM - RBW)



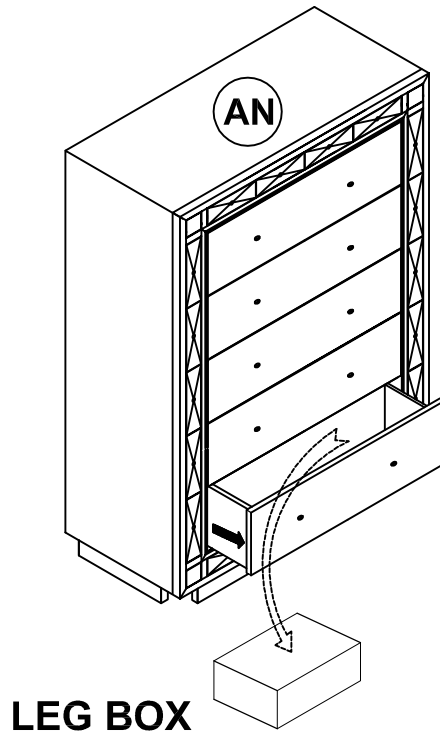
1PC

NOTE:

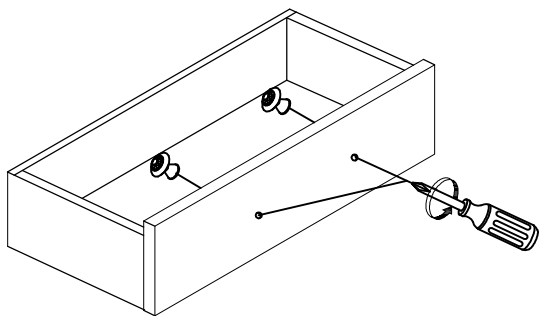
Phillips head screw driver is required in the assembly process; however, manufacturer does not provide this item .

ITEM: **204925**

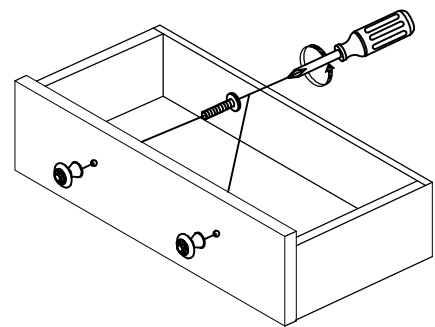
ASSEMBLY INSTRUCTIONS
STEP 1



STEP 2



STEP 3

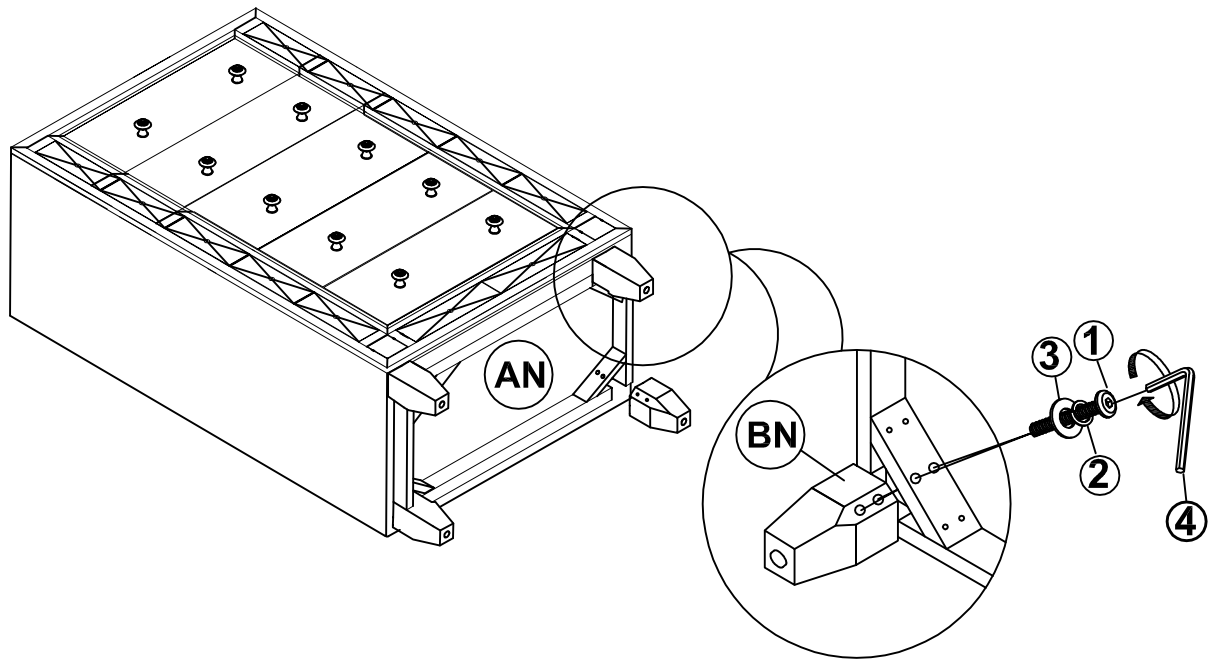


ITEM: **204925**

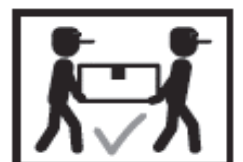
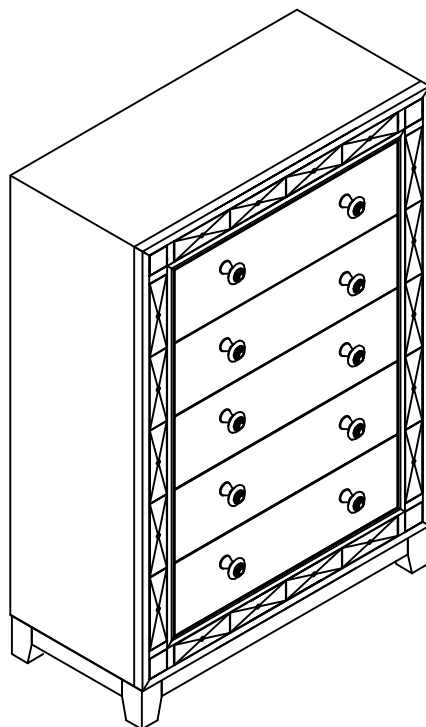
ASSEMBLY INSTRUCTIONS

STEP 4

COASTER[®]
FINE FURNITURE



STEP 5
COMPLETE



ANTI-TIPPING INSTALLMENT INSTRUCTIONS FURNITURE TIPPING RESTRAINT

WARNING

Injury may result from tipping furniture.

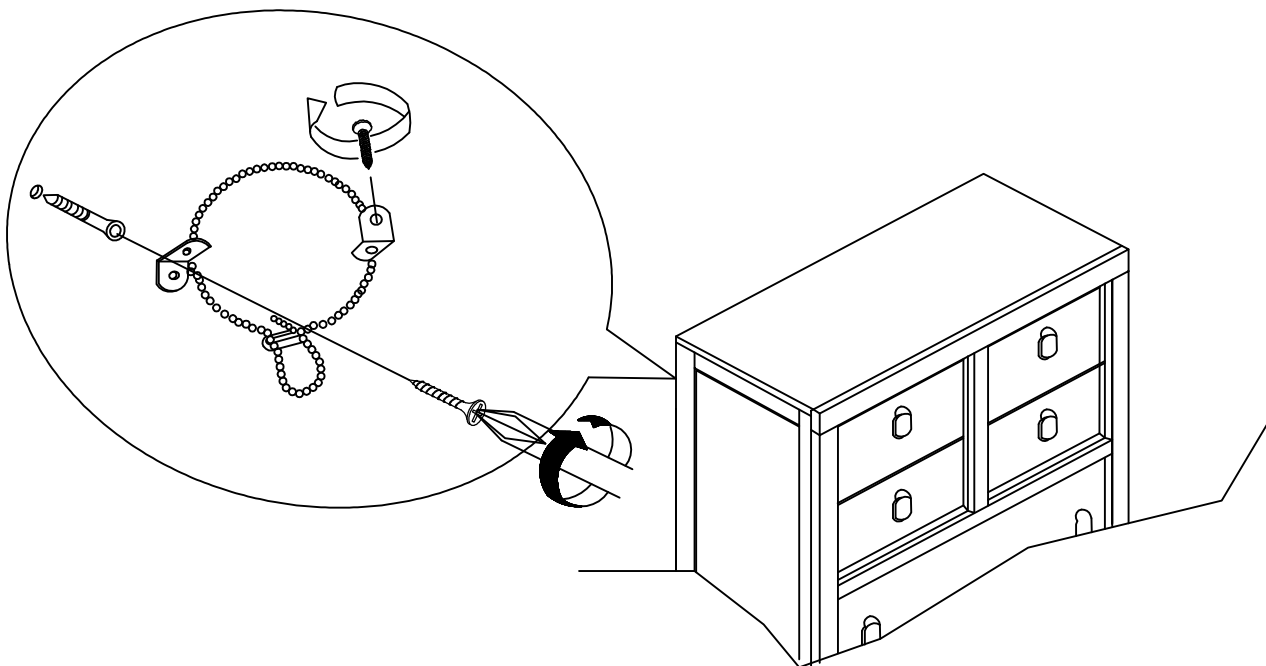
This restraint may protect against tipping furniture.

Do not allow children to climb on furniture.

This restraint is not a substitute for proper adult supervision.

Failure to detach this restraint before moving the furniture may result in injury and damage .

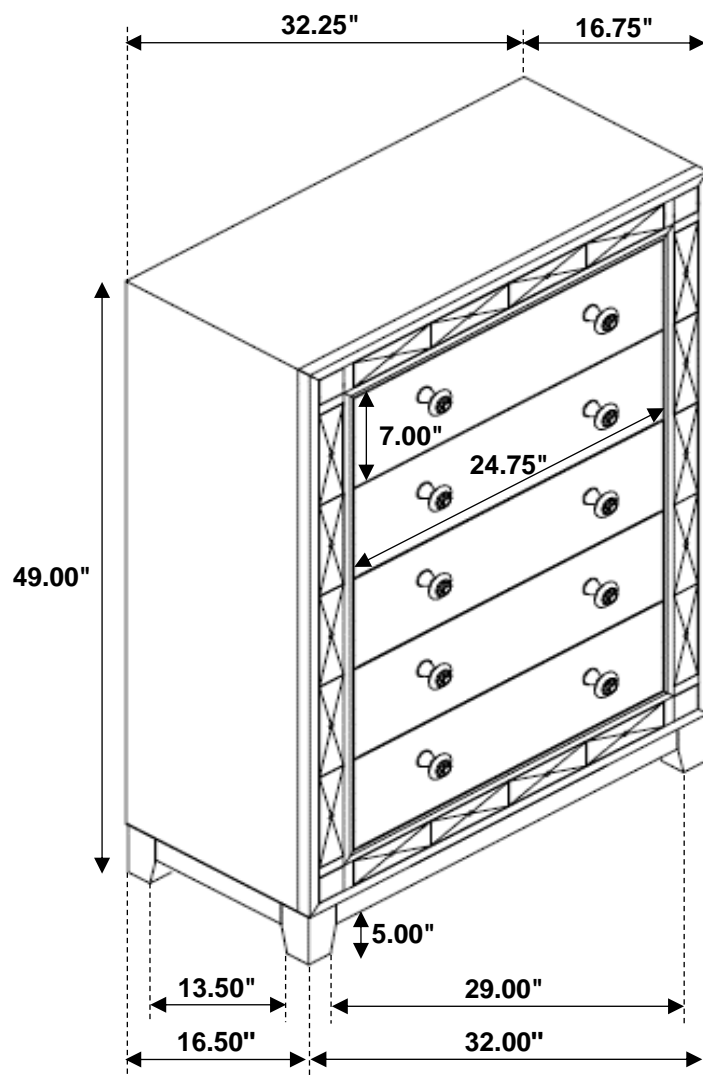
1. Attach one of the mounting brackets securely to the back edge of the furniture. Use the short screw.
2. Determine where the furniture is to be placed and mark location on the wall for the mounting bracket screw hole approximately 2" below the bracket mounted to the edge of the furniture.
3. Drill a 3/16" hole in the wall. Press the plastic wall plug into the hole and gently tap until the flange on the wall plug is against the wall surface.
4. Position the bracket over the wall plug and use the long screw to securely attach the bracket to the wall.
5. Place the furniture so the bracket on the back edge is in line with the bracket on the wall.
6. Lace an end of the cable tie down through each bracket. Bring both ends together and slide the beaded end of the cable tie through the keyhole shaped slot on the other end until snug. Pull down on the beaded end until it snap locks into the keyhole slot.
7. To double lock return the beaded end back through the keyhole as shown.
8. Check to make sure the cable tie is securely laced and locked to the brackets.



ITEM:204925



Inner Size of Drawer : 22.25"W X 13.50"D X 4.50"H X X 0.50"T



Note: Dimension tolerance $\pm 5\%$

ASSEMBLY INSTRUCTIONS
COASTER FINE FURNITURE



Fine Furniture for every stage of life

300621KE(B1&B2)
Eastern King Bed

ITEM: 300621KE(B1&B2)

ASSEMBLY INSTRUCTIONS

ASSEMBLY TIPS:

1. Remove hardware from box and sort by size.
2. Please check to see that all hardware and parts are present prior to start of assembly.
3. Please follow attached instructions in the same sequence as numbered to assure fast & easy assembly.



WARNING!

1. Don't attempt to repair or modify parts that are broken or defective. Please contact the store immediately.
2. This product is for home use only and not intended for commercial establishments.



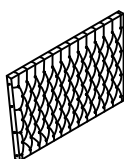
ASSEMBLY TIME

15 MINUTES

PARTS IDENTIFICATION

B1(BOX1)

AV HEADBOARD PANEL



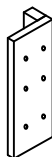
1PC

CV RIGHT HEADBOARD LEG



1PC

EV RIGHT METAL CLEAT



1PC

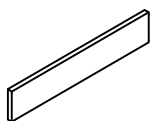
B2(BOX2)

FV FOOTBOARD LEG



2PCS

HV FOOTBOARD PANEL



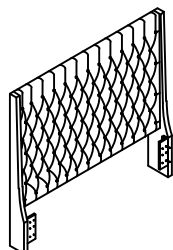
1PC

JV BED SLAT



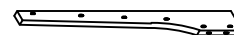
5PCS

300621KE(B1)
HBV FROM BOX1
HEADBOARD
COMPLETE



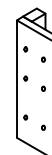
1PC

BV LEFT HEADBOARD LEG



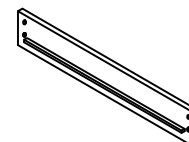
1PC

DV LEFT METAL CLEAT



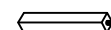
1PC

GV BED RAIL



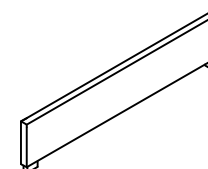
2PCS

IV BED SLAT SUPPORT
WITH LEVELER



10PCS

300621KE(B2)
FBV FROM BOX2
FOOTBOARD
COMPLETE



1PC

ITEM: 300621KE(B1&B2)

ASSEMBLY INSTRUCTIONS

ASSEMBLY TIPS:

1. Remove hardware from box and sort by size.
2. Please check to see that all hardware and parts are present prior to start of assembly.
3. Please follow attached instructions in the same sequence as numbered to assure fast & easy assembly.


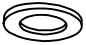




WARNING!








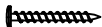

1. Don't attempt to repair or modify parts that are broken or defective. Please contact the store immediately.
2. This product is for home use only and not intended for commercial establishments.

HARDWARE IDENTIFICATION

Z-B1(BOX1)-HARDWARE PACK IS LOCATED IN 300621KE(B1)

1	ALLEN WRENCH (5MM-RBW)		1PC	2	FLAT WASHER (Ø 5/16 "-RBW)		18PCS
3	BOLT (Ø 5/16 " X40mm-RBW)		18PCS	4	LOCK WASHER (Ø 5/16 "-RBW)		18PCS

Z-B2(BOX2)-HARDWARE PACK IS LOCATED IN 300621KE(B2)

5	ALLEN WRENCH (5MM-RBW)		1PC	6	FLAT WASHER (Ø 5/16 "-RBW)		4PCS
7	BOLT (Ø 5/16 "X50mm-RBW)		4PCS	8	THREADED BOLT (Ø 5/16 "X90mm-RBW)		8PCS
9	LOCK WASHER (Ø 5/16 "-RBW)		4PCS	10	HEX NUT (16mmx13mmx13-RBW)		8PCS
11	WRENCH (14MM-RBW)		1PC	12	FLAT HEAD SCREW (m4x30mm-RBW)		10PCS
13	U-SQUARE WASHER (36mmx15mmx11mm-RBW)		8PCS				

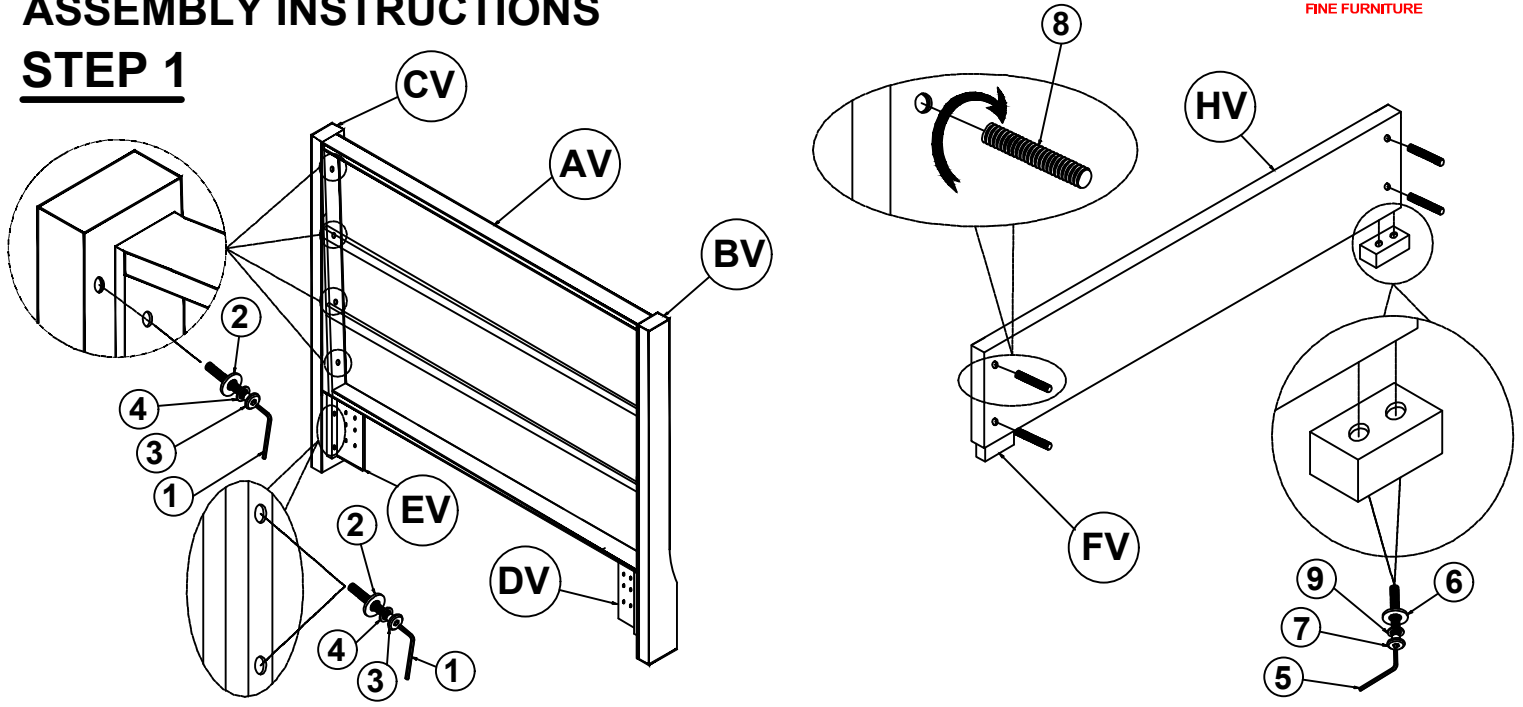
NOTE:

Phillips hed screw driver is required in the assemply process; however, manufacturer does not provide this item.

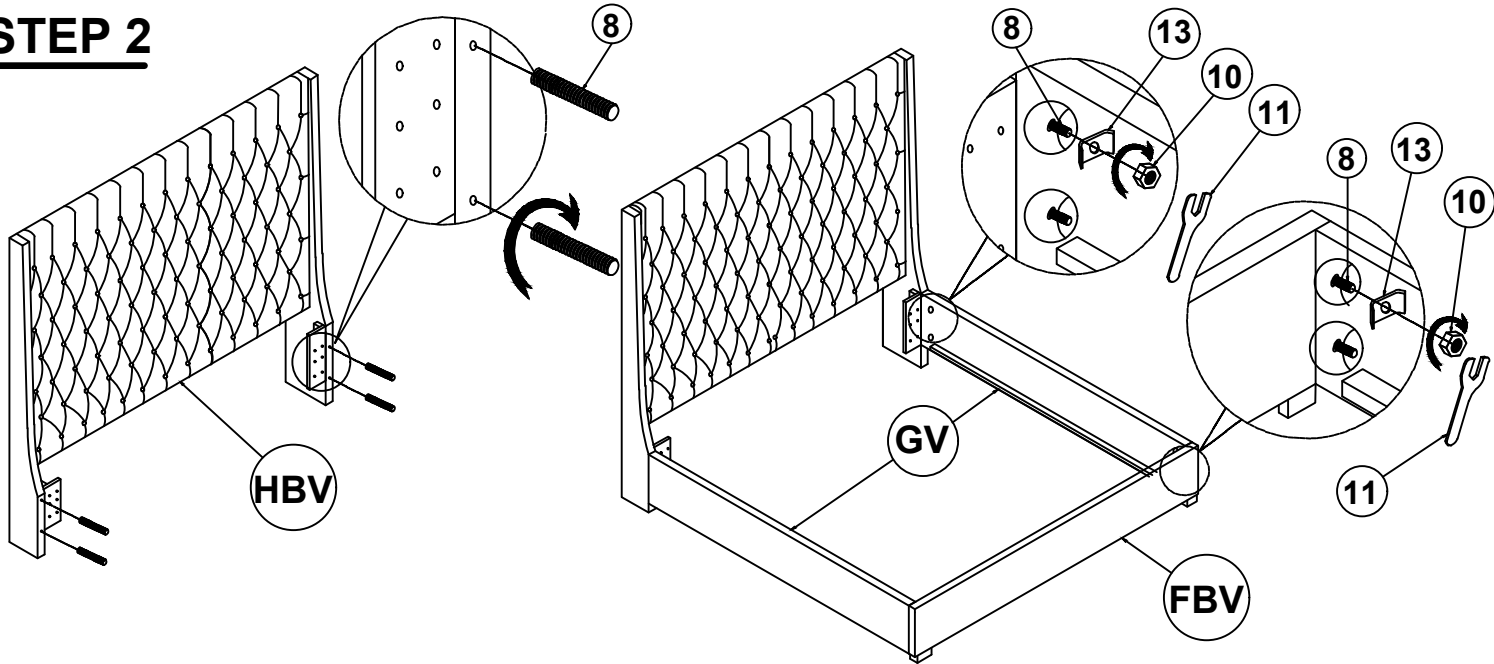
ITEM: 300621KE(B1&B2)

ASSEMBLY INSTRUCTIONS

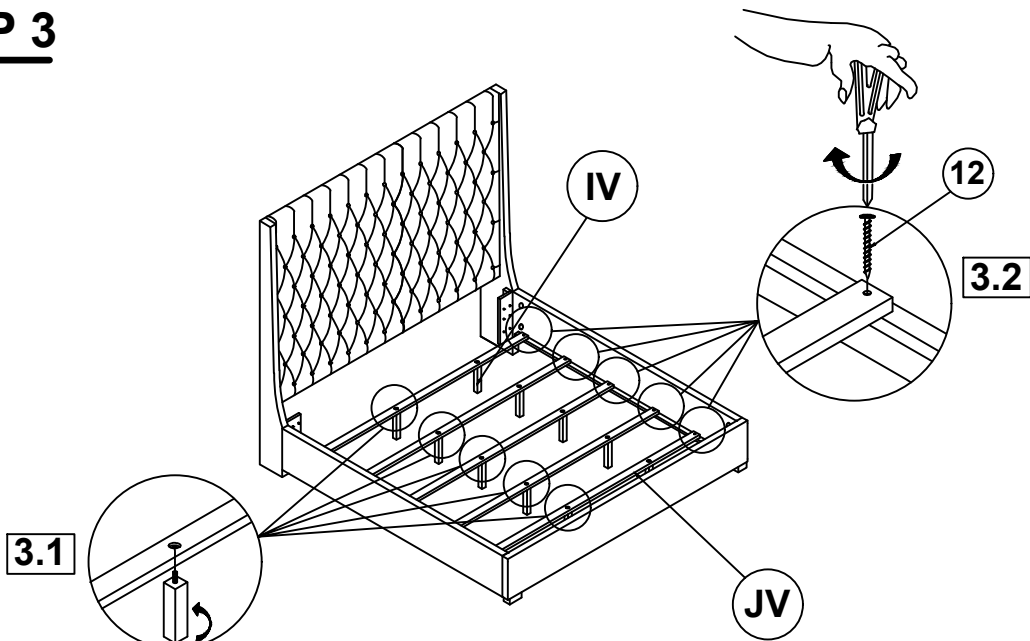
STEP 1



STEP 2



STEP 3

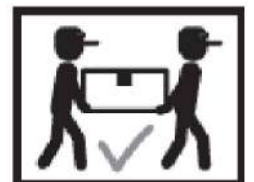
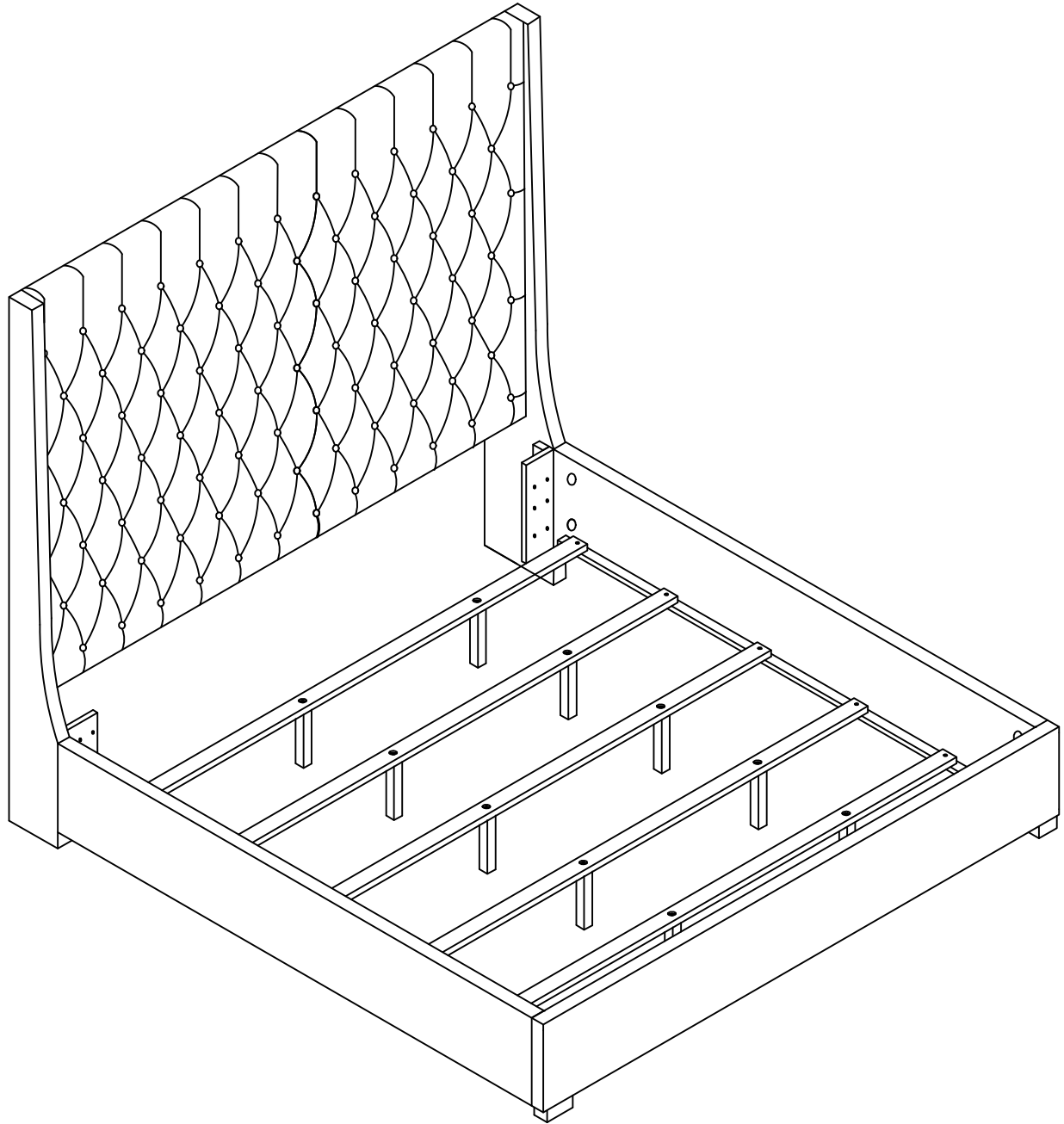


ITEM: **300621KE(B1&B2)**

ASSEMBLY INSTRUCTIONS

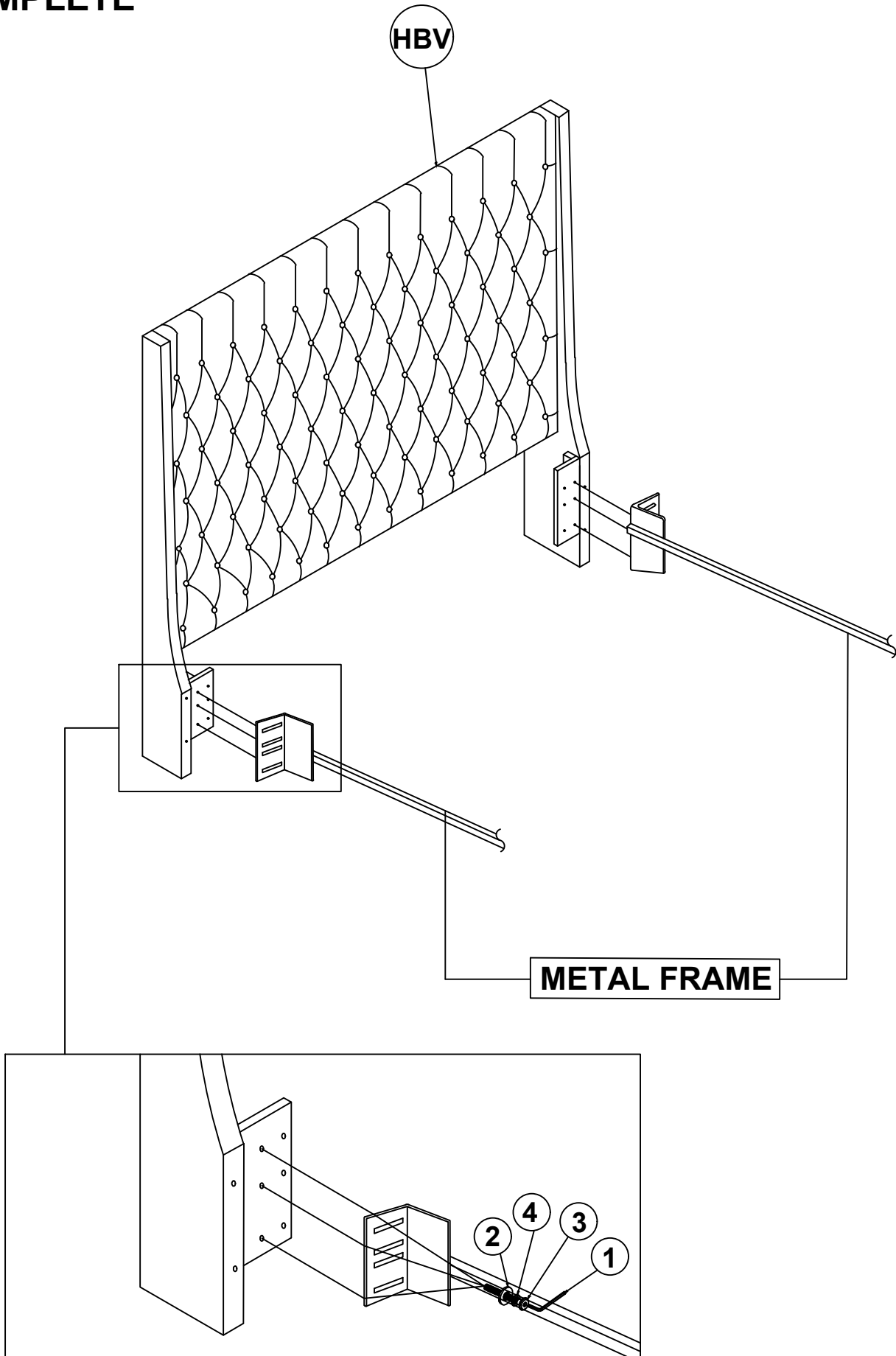
STEP 4

COMPLETE



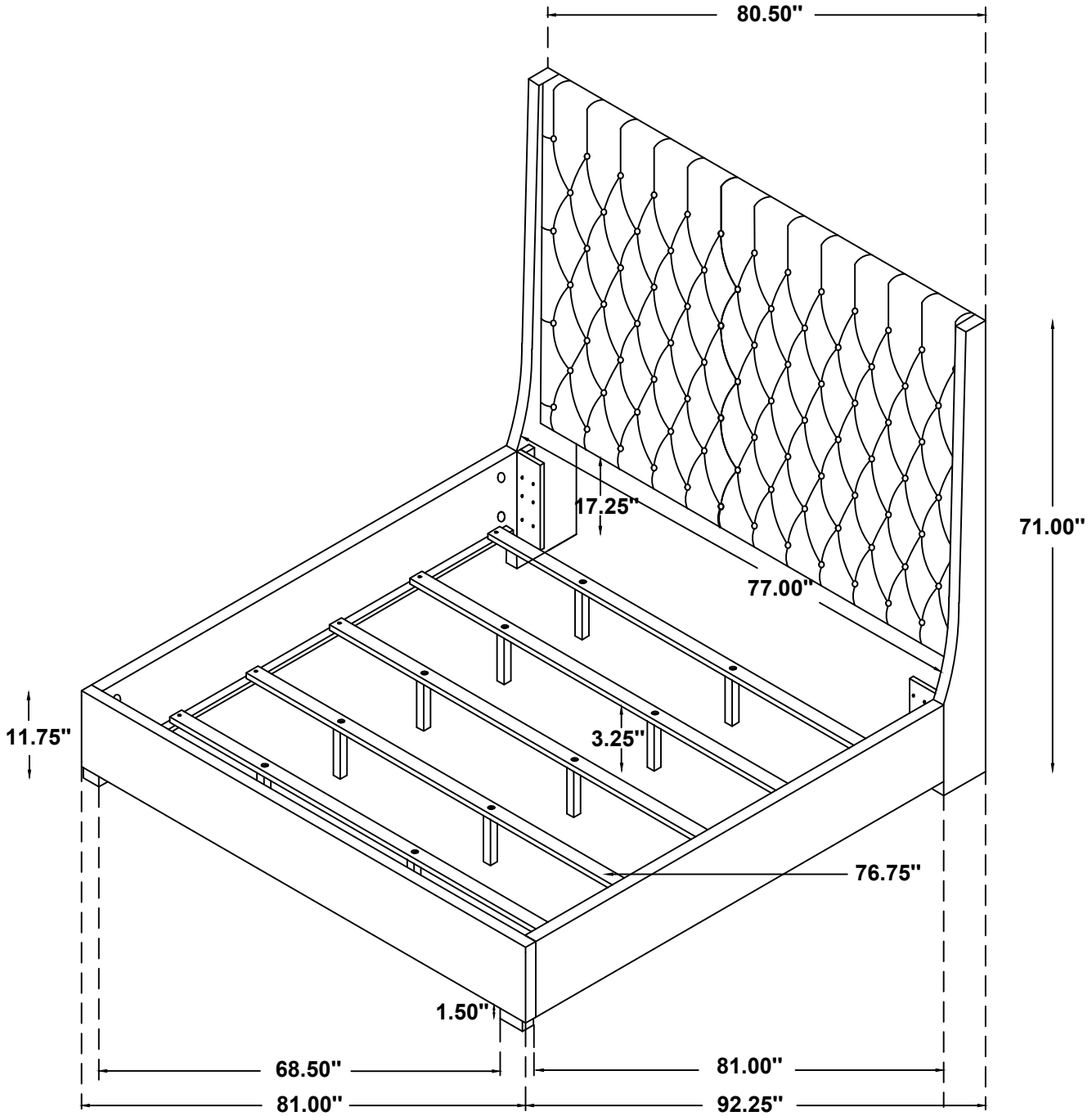
ITEM: **300621KE(B1&B2)**

**ASSEMBLY HEADBOARD TO METAL FRAME
COMPLETE**



ITEM: **300621KE(B1&B2)**

Inner Size: 77.00"W X 81.00"D



Note: Dimension tolerance $\pm 5\%$