



ASSEMBLY INSTRUCTIONS
COASTER FINE FURNITURE



Fine Furniture for every stage of life

302046Q (B1-B3)
Queen Bed

ITEM: 302046Q (B1-B3)



ASSEMBLY INSTRUCTIONS

ASSEMBLY TIPS:

1. Remove hardware from box and sort by size.
2. Please check to see that all hardware and parts are present prior to start of assembly.
3. Please follow attached instructions in the same sequence as numbered to assure fast & easy assembly.



WARNING!

1. Don't attempt to repair or modify parts that are broken or defective. Please contact the store immediately.
2. This product is for home use only and not intended for commercial establishments.



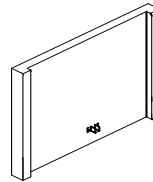
ASSEMBLY TIME

15 MINUTES

PARTS IDENTIFICATION

B1 (BOX 1)

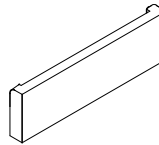
A HEADBOARD



1PC

B2 (BOX 2)

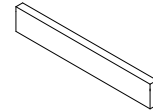
B FOOTBOARD



1PC

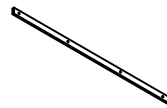
B3 (BOX 3)

C BED RAIL



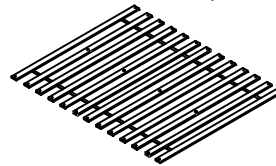
2PCS

D CENTER RAIL



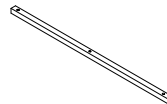
1PC

E ROLL SLAT (13PCS)



1SET

F BED RAIL SUPPORT



4PCS

G CENTER RAIL SUPPORT WITH LEVELER



4PCS

ITEM: 302046Q (B1-B3)

ASSEMBLY INSTRUCTIONS

ASSEMBLY TIPS:

1. Remove hardware from box and sort by size.
2. Please check to see that all hardware and parts are present prior to start of assembly.
3. Please follow attached instructions in the same sequence as numbered to assure fast & easy assembly.




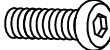

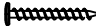
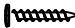
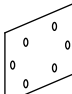


WARNING!

1. Don't attempt to repair or modify parts that are broken or defective. Please contact the store immediately.
2. This product is for home use only and not intended for commercial establishments.

HARDWARE IDENTIFICATION

Z-B3 (BOX3) - HARDWARE PACK IS LOCATED IN 302046Q (B3)

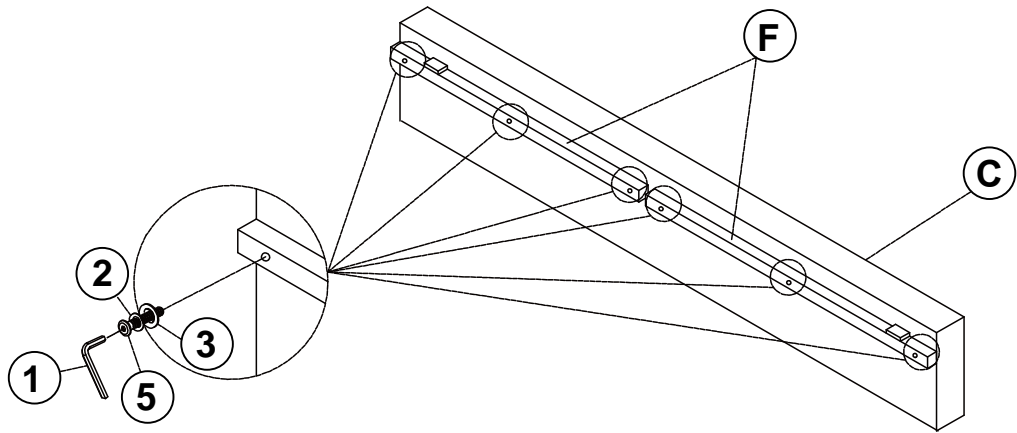
1	ALLEN WRENCH (5mm - BLK)		1PC
2	LOCK WASHER (Ø5/16" - BLK)		36PCS
3	FLAT WASHER (Ø5/16" - BLK)		36PCS
4	SHORT BOLT (Ø5/16" x 25mm - BLK)		24PCS
5	LONG BOLT (Ø5/16" x 55mm - BLK)		12PCS
6	LONG FLAT HEAD SCREW (M4 x 35mm - BLK)		26PCS
7	SHORT FLAT HEAD SCREW (M4 x 12mm - BLK)		2PCS
8	BRACKET (150 x 100 x 2mm - BLK)		4PCS

ITEM: **302046Q (B1-B3)**

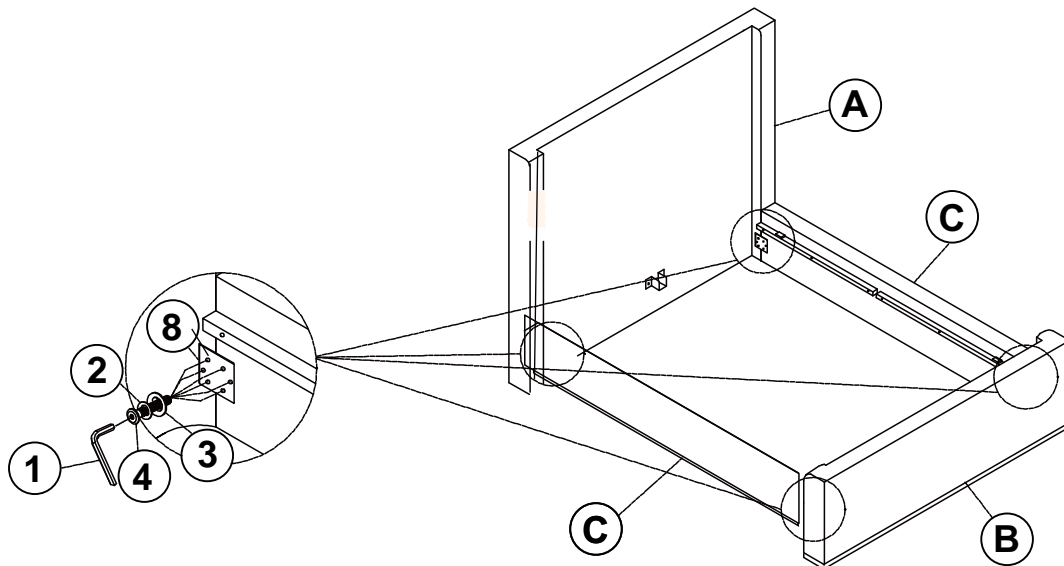


ASSEMBLY INSTRUCTION

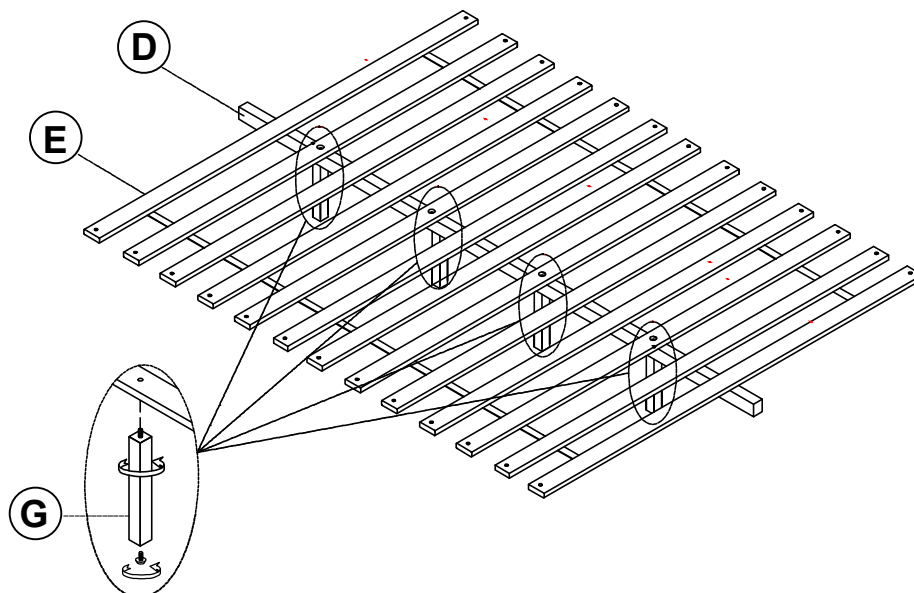
STEP 1



STEP 2



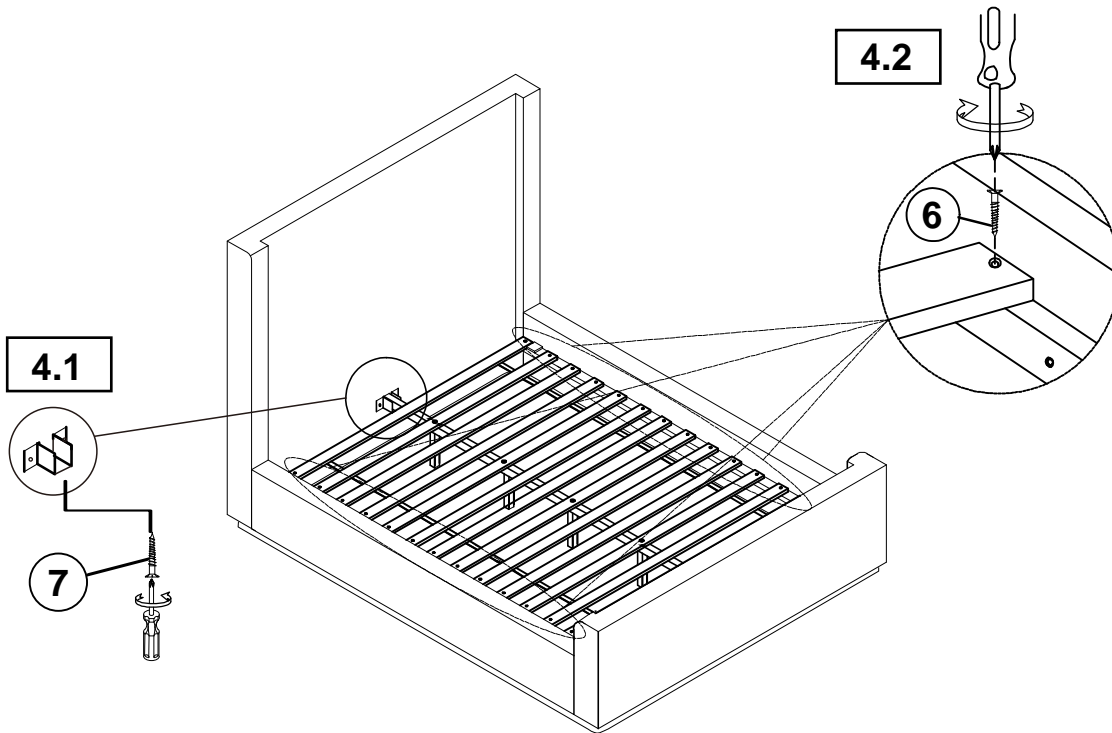
STEP 3



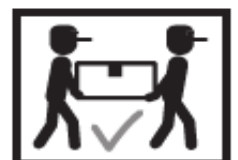
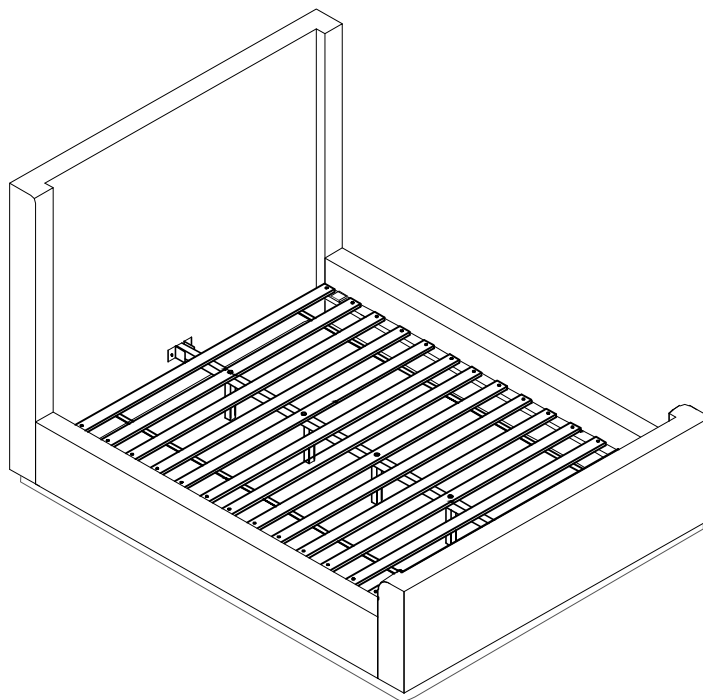
ITEM: **302046Q (B1-B3)**

ASSEMBLY INSTRUCTION

STEP 4



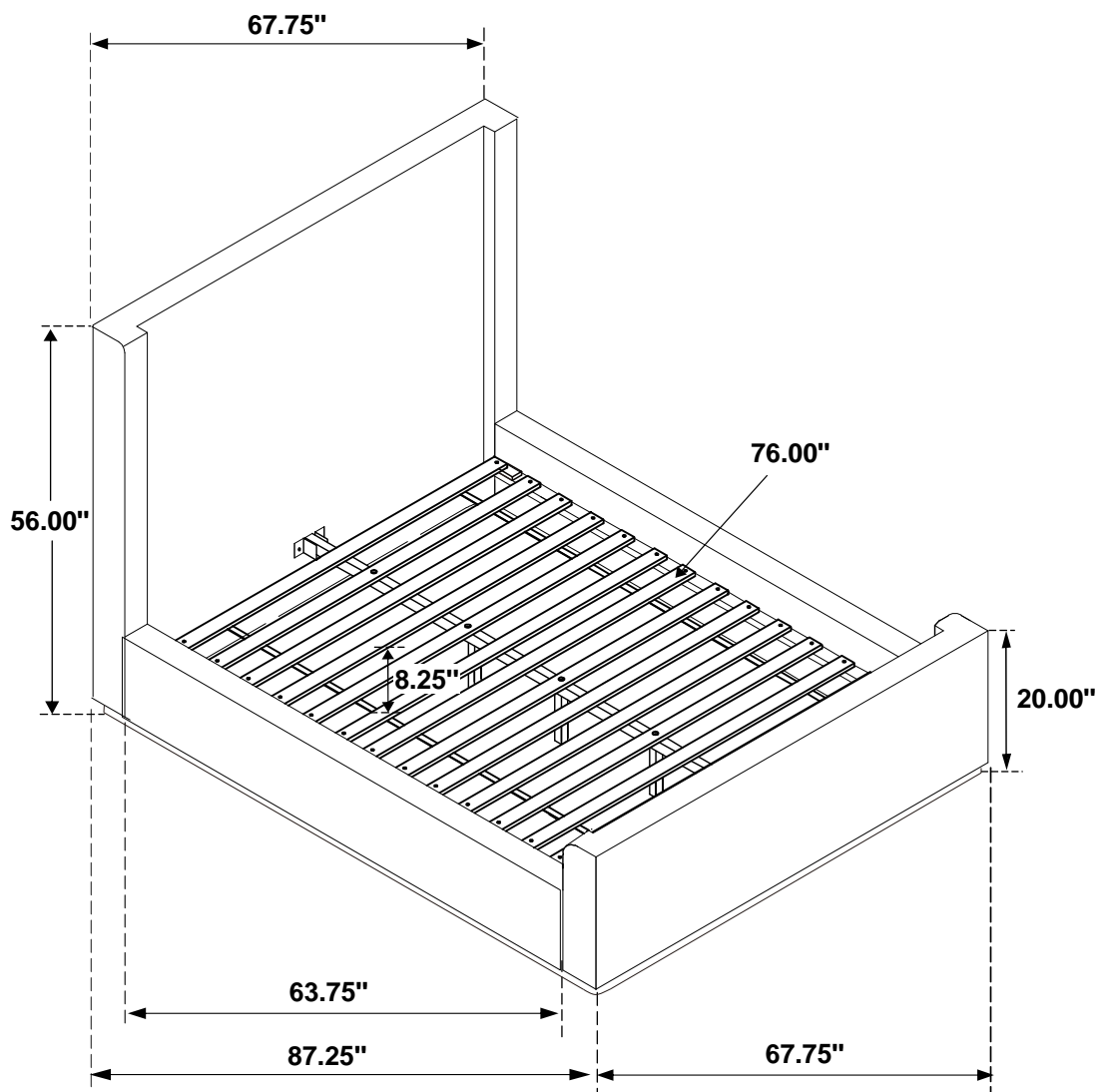
STEP 5
COMPLETE



ITEM: **302046Q (B1-B3)**



Inner Size: 60.00"W X 80.00"D



Note: Dimension tolerance $\pm 5\%$