

ASSEMBLY INSTRUCTIONS
COASTER FINE FURNITURE



Fine Furniture for every stage of life

310035Q(B1 & B2)
Queen Bed

ITEM: 310035Q(B1&B2)



ASSEMBLY INSTRUCTIONS

ASSEMBLY TIPS:

1. Remove hardware from box and sort by size.
2. Please check to see that all hardware and parts are present prior to start of assembly.
3. Please follow attached instructions in the same sequence as numbered to assure fast & easy assembly.



WARNING!

1. Don't attempt to repair or modify parts that are broken or defective. Please contact the store immediately.
2. This product is for home use only and not intended for commercial establishments.



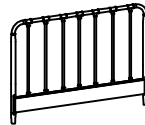
ASSEMBLY TIME

15 MINUTES

PARTS IDENTIFICATION

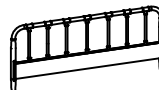
B1(BOX 1)

A HEADBOARD



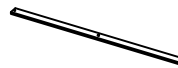
1PC

B FOOTBOARD



1PC

D BED SLAT



4PCS

E BED SLAT SUPPORT WITH LEVELER



4PCS

B2(BOX 2)

C BED RAIL

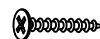


2PCS

HARDWARE IDENTIFICATION

Z-B1(BOX 1) - HARWARE PACK IS LOCATED IN 310035Q(B1)

1 FLAT HEAD SCREW
(Ø4" x 1 1/4" - RBW)



8PCS

NOTE :

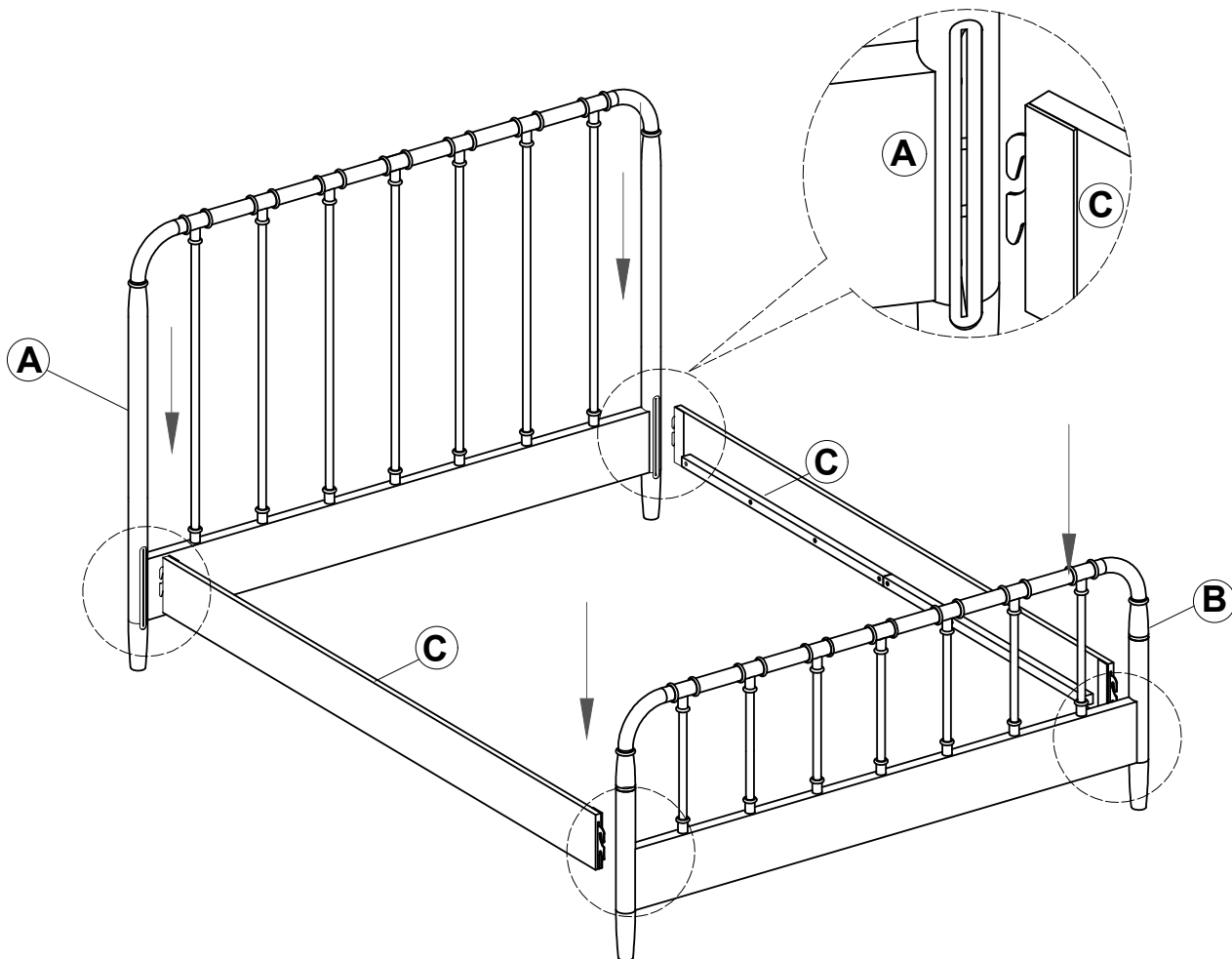
Phillips head screw driver is required in the assembly process; However, manufacturer not provide this item.

ITEM: 310035Q(B1&B2)

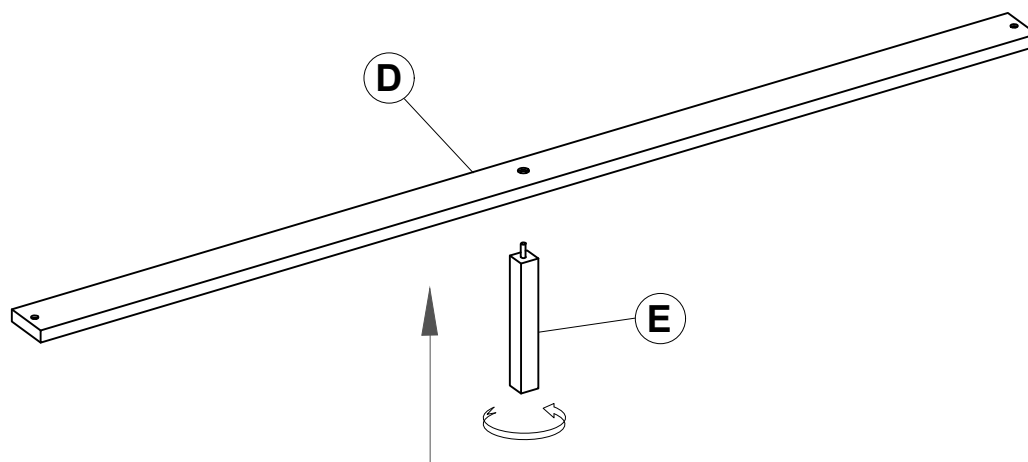
ASSEMBLY INSTRUCTIONS



STEP 1



STEP 2

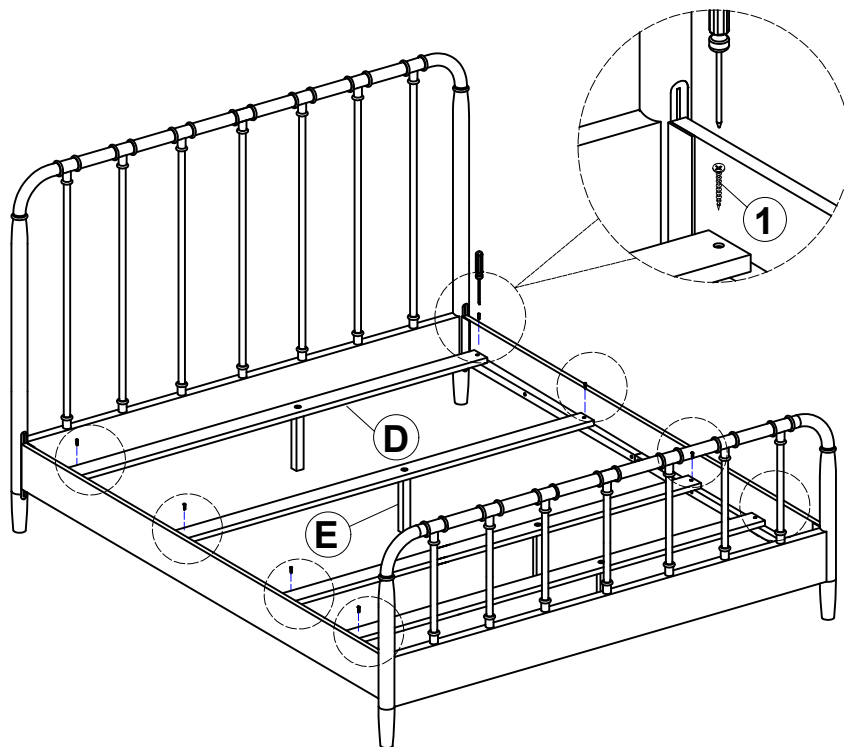


ITEM: **310035Q(B1&B2)**

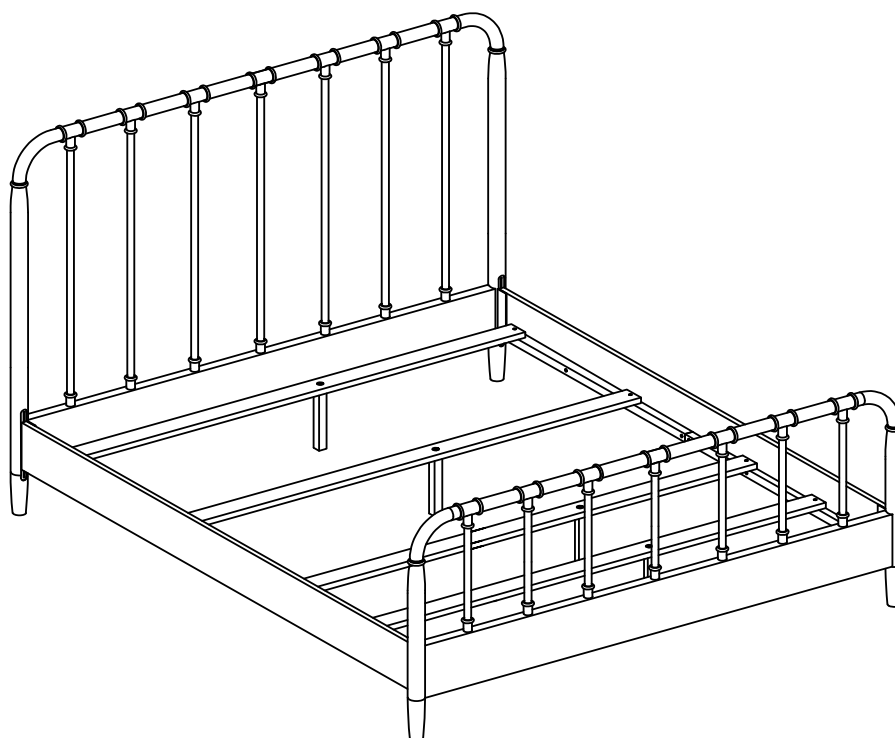
ASSEMBLY INSTRUCTIONS



STEP 3



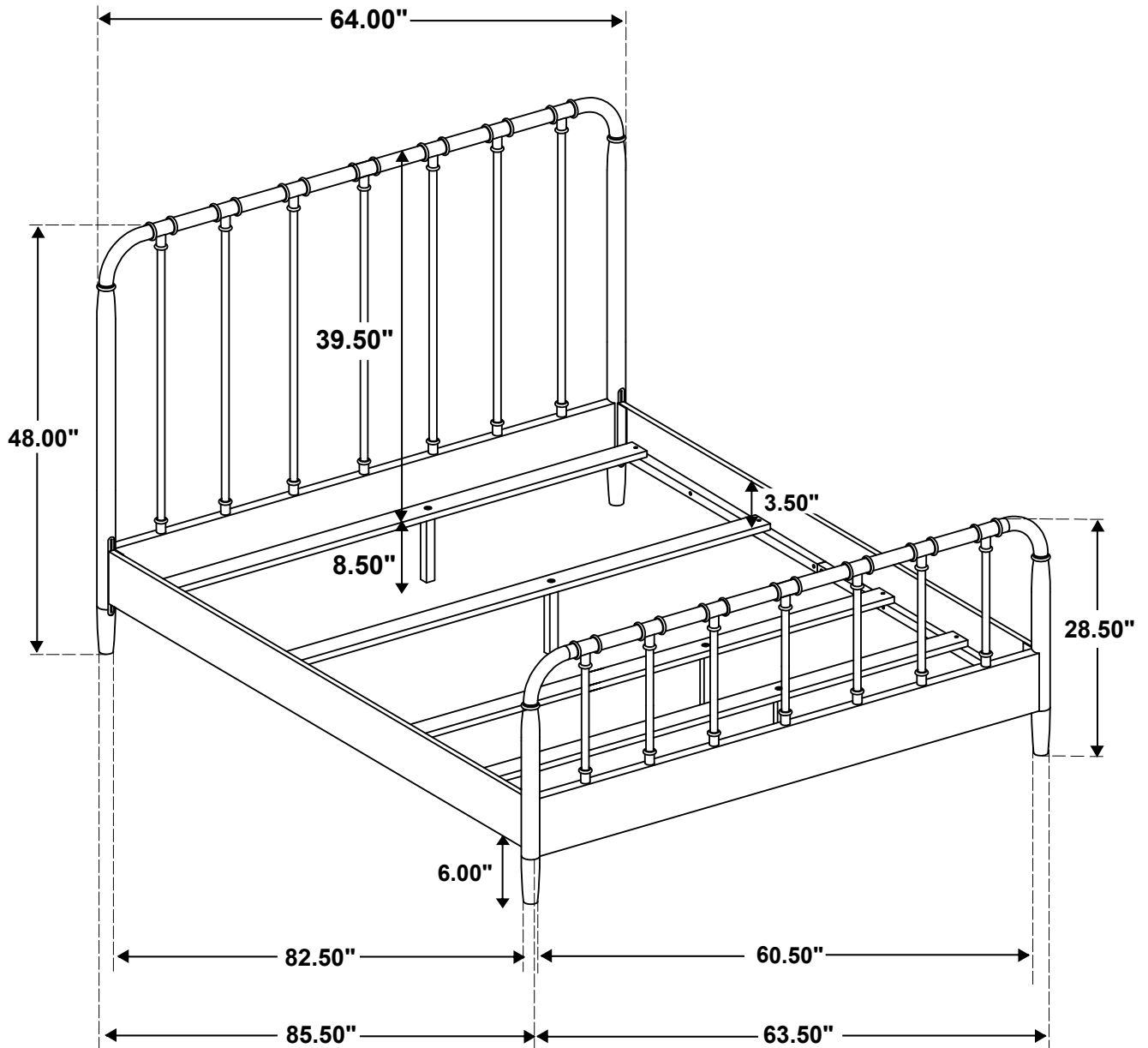
STEP 4
COMPLETE



ITEM: 310035Q(B1&B2)



Inner Size: 61.25"W x 82.50"D



Note: Dimension tolerance $\pm 5\%$