



ASSEMBLY INSTRUCTIONS
COASTER FINE FURNITURE



Fine Furniture for every stage of life

508870(B1-B3)
Sectional

ITEM: 508870 (B1-B3)



ASSEMBLY INSTRUCTIONS

ASSEMBLY TIPS:

1. Remove hardware from box and sort by size.
2. Please check to see that all hardware and parts are present prior to start of assembly.
3. Please follow attached instructions in the same sequence as numbered to assure fast & easy assembly.



WARNING!

1. Don't attempt to repair or modify parts that are broken or defective. Please contact the store immediately.
2. This product is for home use only and not intended for commercial establishments.









ASSEMBLY TIME






10 MINUTES

PARTS IDENTIFICATION











B1 (BOX 1)

A	LOVESEAT SEAT FRAME		1PC	D	BACK CUSHION		2PCS
B	LEG		4PCS	E	SEAT CUSHION		2PCS
C	BACK FRAME		2PCS	F	LOVESEAT LEFT ARM		1PC

B2 (BOX 2)

G	CHAIR FRAME		1PC	D	BACK CUSHION		1PC
B	LEG		4PCS	E	SEAT CUSHION		1PC
C	BACK FRAME		1PC				

B3 (BOX 3)

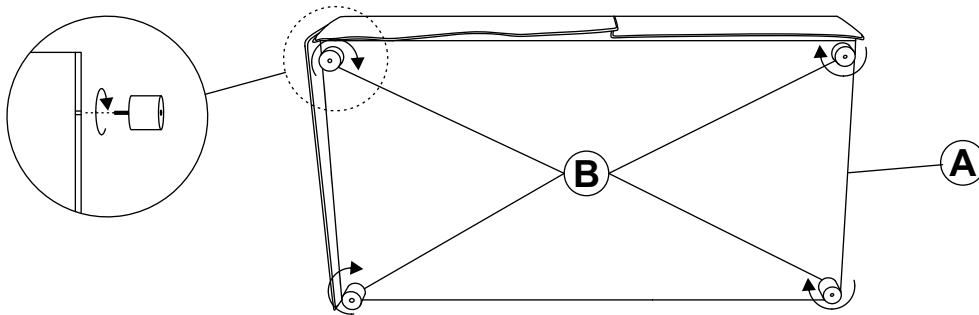
B	LEG		4PCS	J	CHAISE BACK FRAME 2		1PC
C	BACK FRAME		1PC	K	CHAISE BACK CUSHION 1		1PC
D	BACK CUSHION		1PC	L	CHAISE BACK CUSHION 2		1PC
H	CHAISE FRAME		1PC	M	CHAISE SEAT CUSHION 1		1PC
I	CHAISE BACK FRAME 1		1PC	N	CHAISE SEAT CUSHION 2		1PC

ITEM: 508870 (B1-B3)

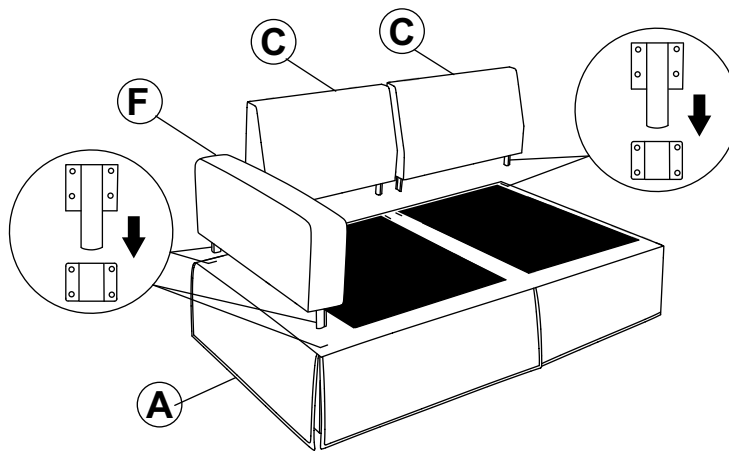
ASSEMBLY INSTRUCTIONS



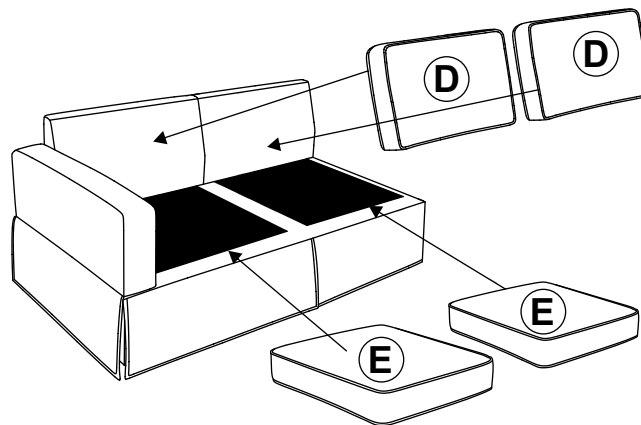
STEP 1



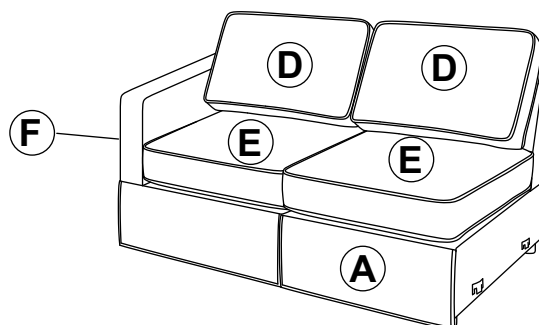
STEP 2



STEP 3



STEP 4

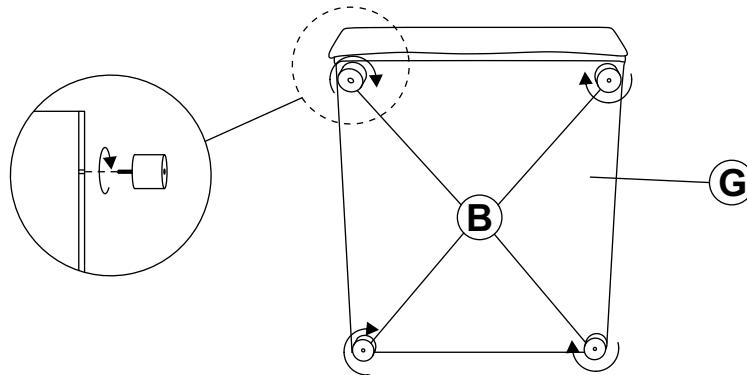


ITEM: **508870 (B1-B3)**

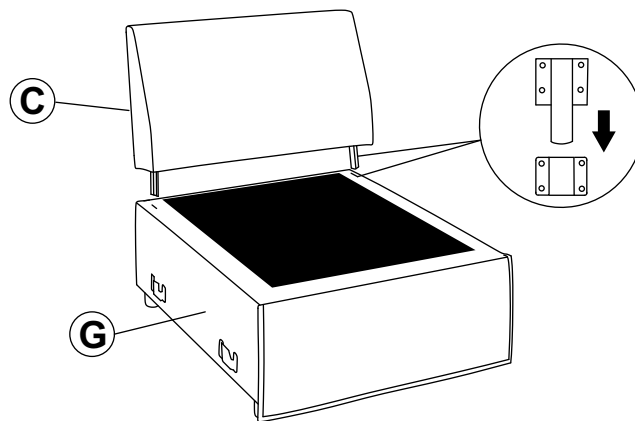
ASSEMBLY INSTRUCTIONS



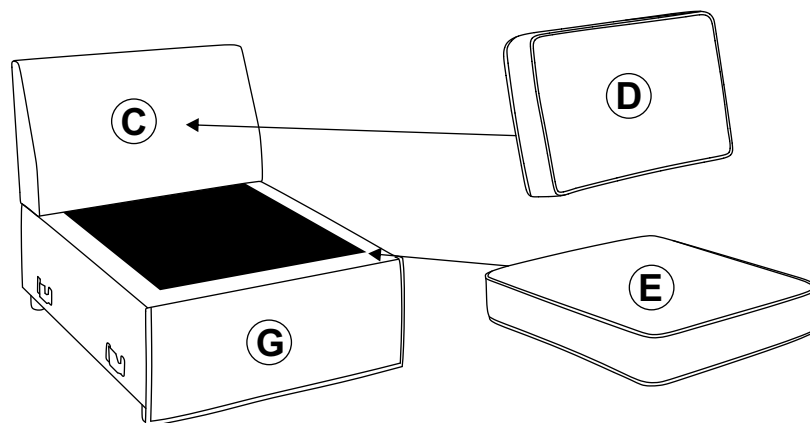
STEP 5



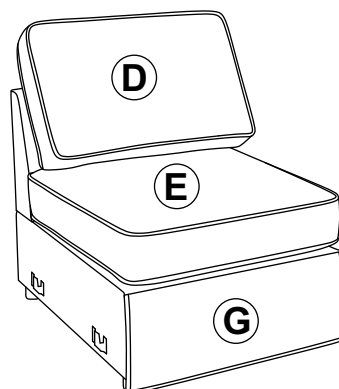
STEP 6



STEP 7



STEP 8

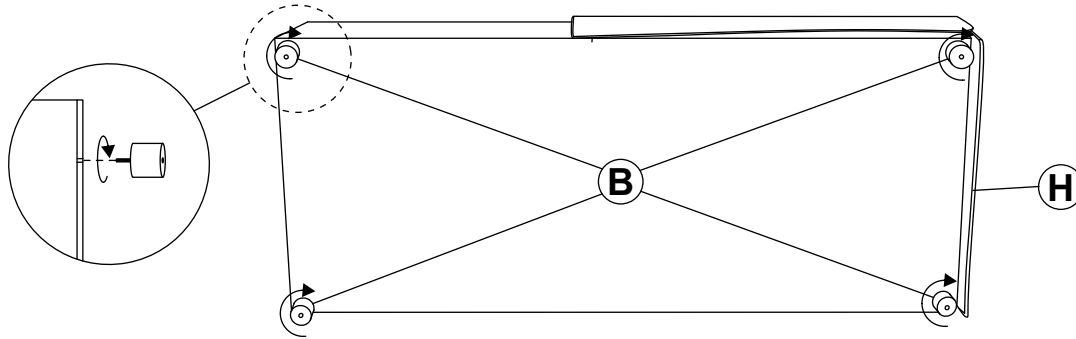


ITEM: 508870 (B1-B3)

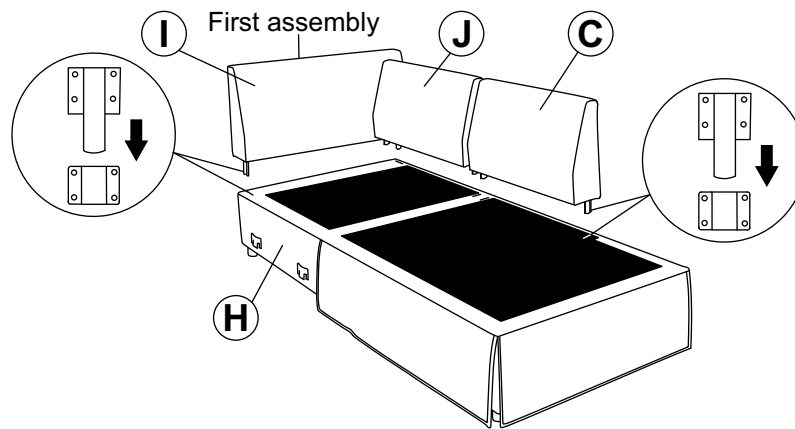
ASSEMBLY INSTRUCTIONS



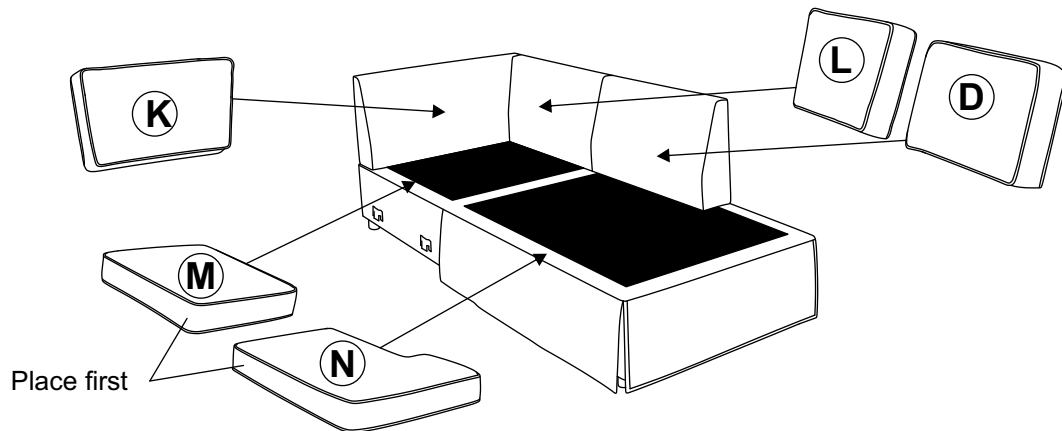
STEP 9



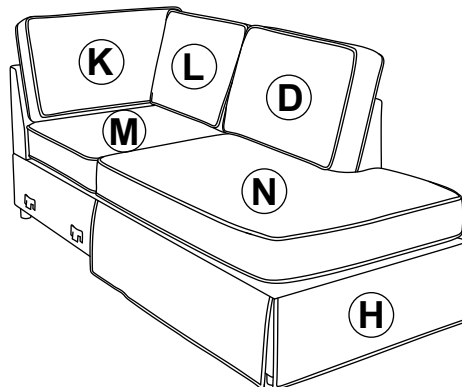
STEP 10



STEP 11



STEP 12

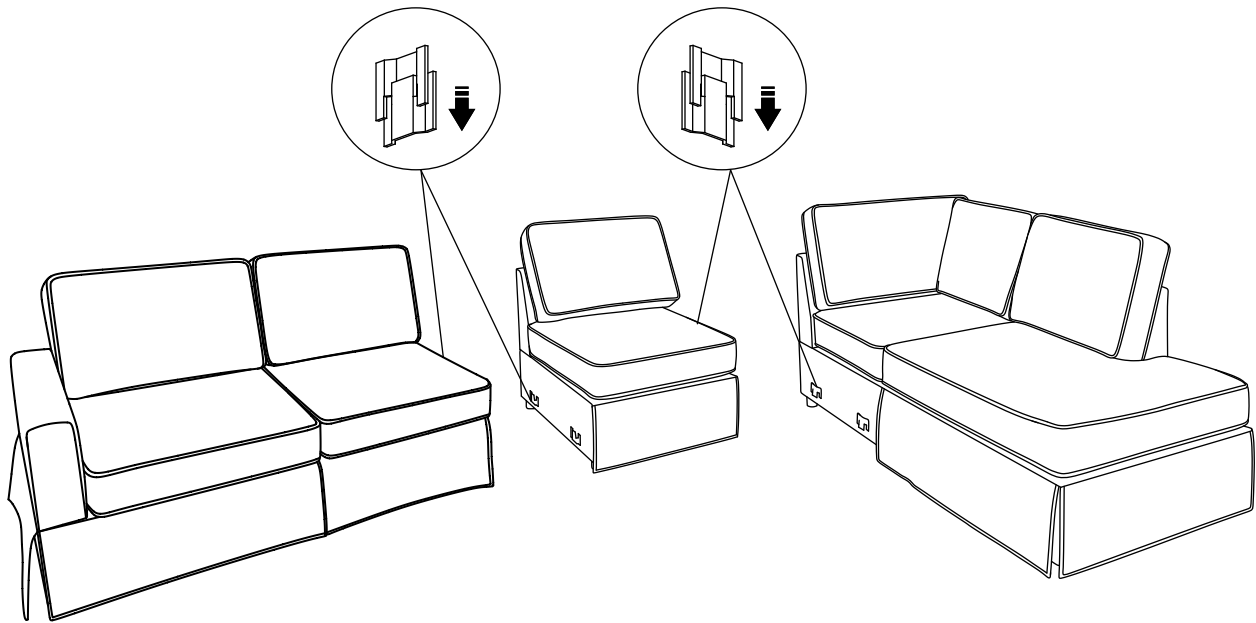


ITEM: **508870 (B1-B3)**

ASSEMBLY INSTRUCTIONS

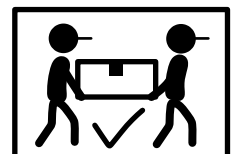
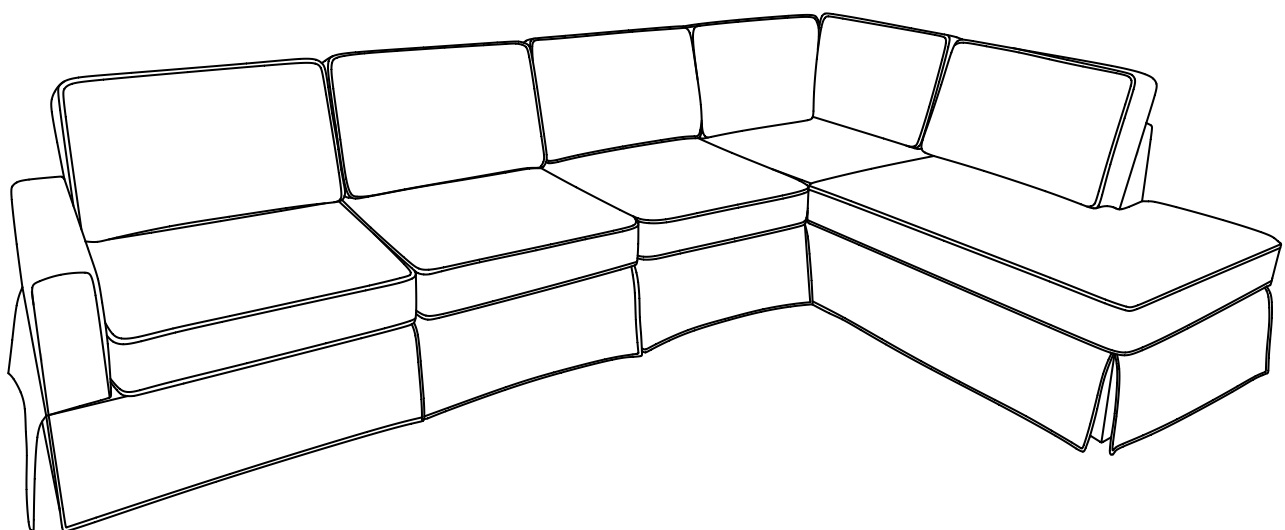


STEP 13

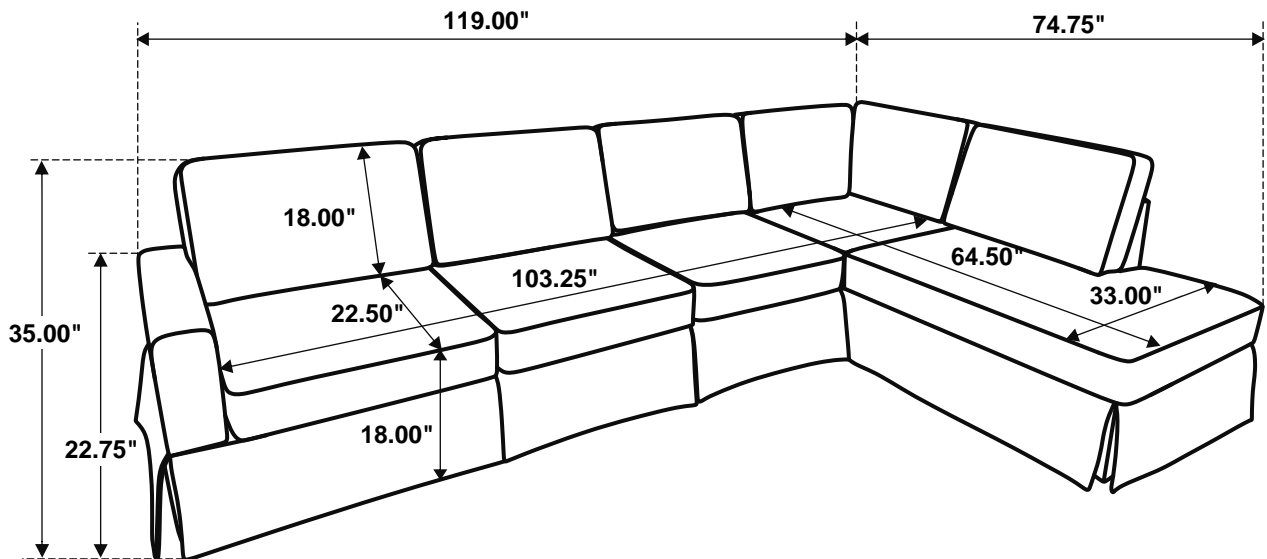


STEP 14

COMPLETE



ITEM: **508870 (B1-B3)**



Note: Dimension tolerance $\pm 5\%$