

ASSEMBLY INSTRUCTIONS
COASTER FINE FURNITURE



Fine Furniture for every stage of life

511161

SOFA

ITEM:511161



ASSEMBLY INSTRUCTIONS

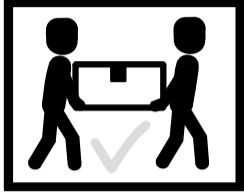
ASSEMBLY TIPS:

1. Remove hardware from box and sort by size.
2. Please check to see that all hardware and parts are present prior to start of assembly.
3. Please follow attached instructions in the same sequence as numbered to assure fast & easy assembly.



WARNING!



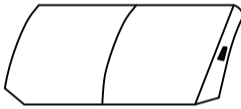



1. Don't attempt to repair or modify parts that are broken or defective. Please contact the store immediately.
2. This product is for home use only and not intended for commercial establishments.







ASSEMBLY TIME

3 MINUTES

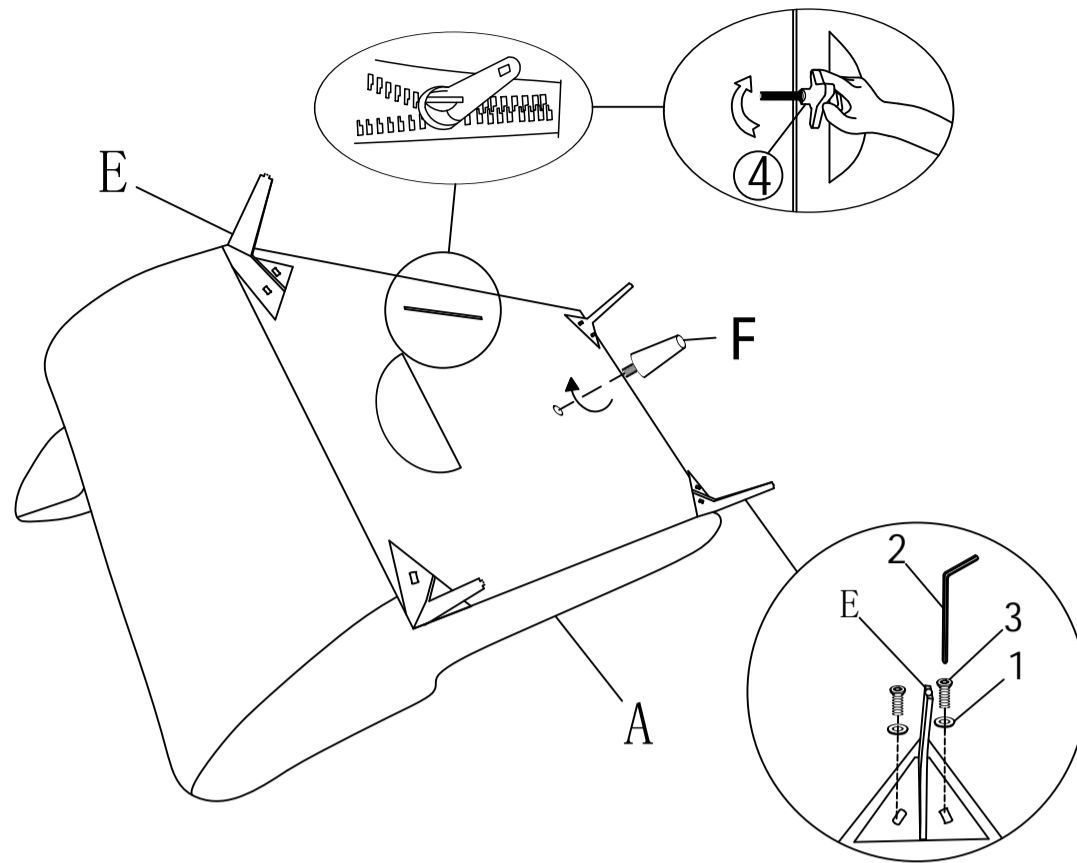
PARTS IDENTIFICATION

A	BASE		1PC	B	LEFT EAR		1PC
C	BACKREST		1PC	D	RIGHT EAR		1PC
E	LEG		4PCS	F	SUPPORT LEG		1PC

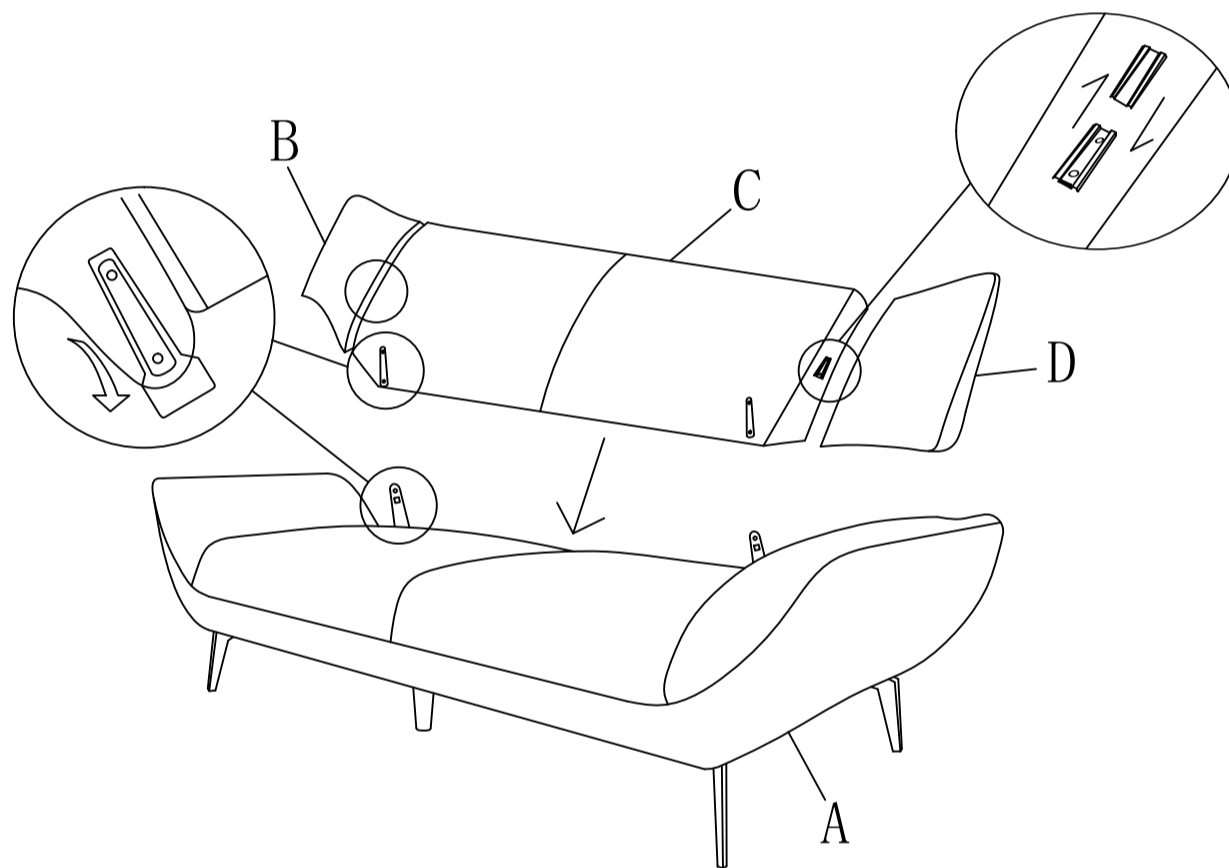
HAREWARE IDENTIFICATION

1	WASHER	 Ø0.6CM	8 PCS	3	BOLT	 6*30MM	8 PCS
2	WRENCH	 Ø0.6CM	1 PC	4	TRIPLE HEAD SCREW	 8*58MM	1 PC

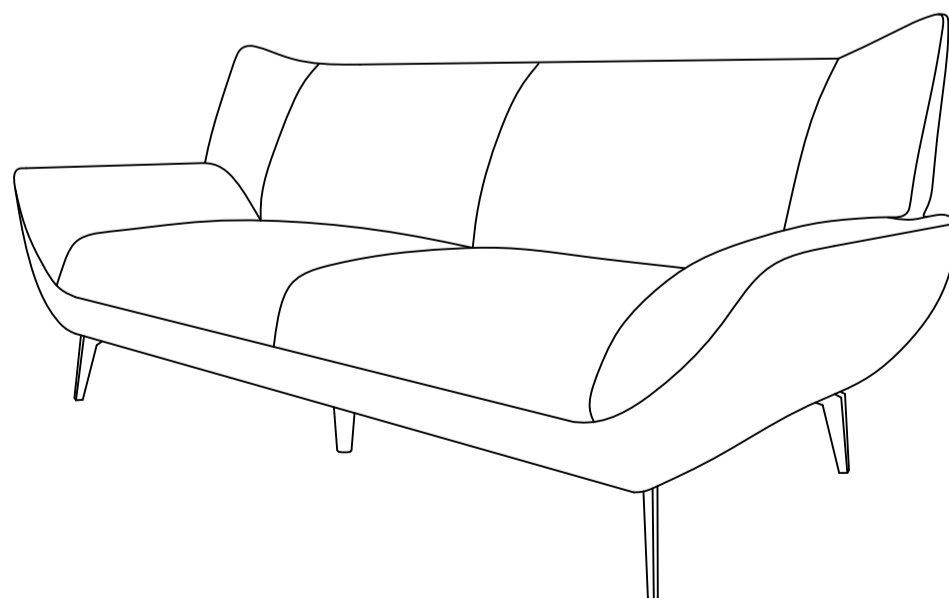
STEP 1

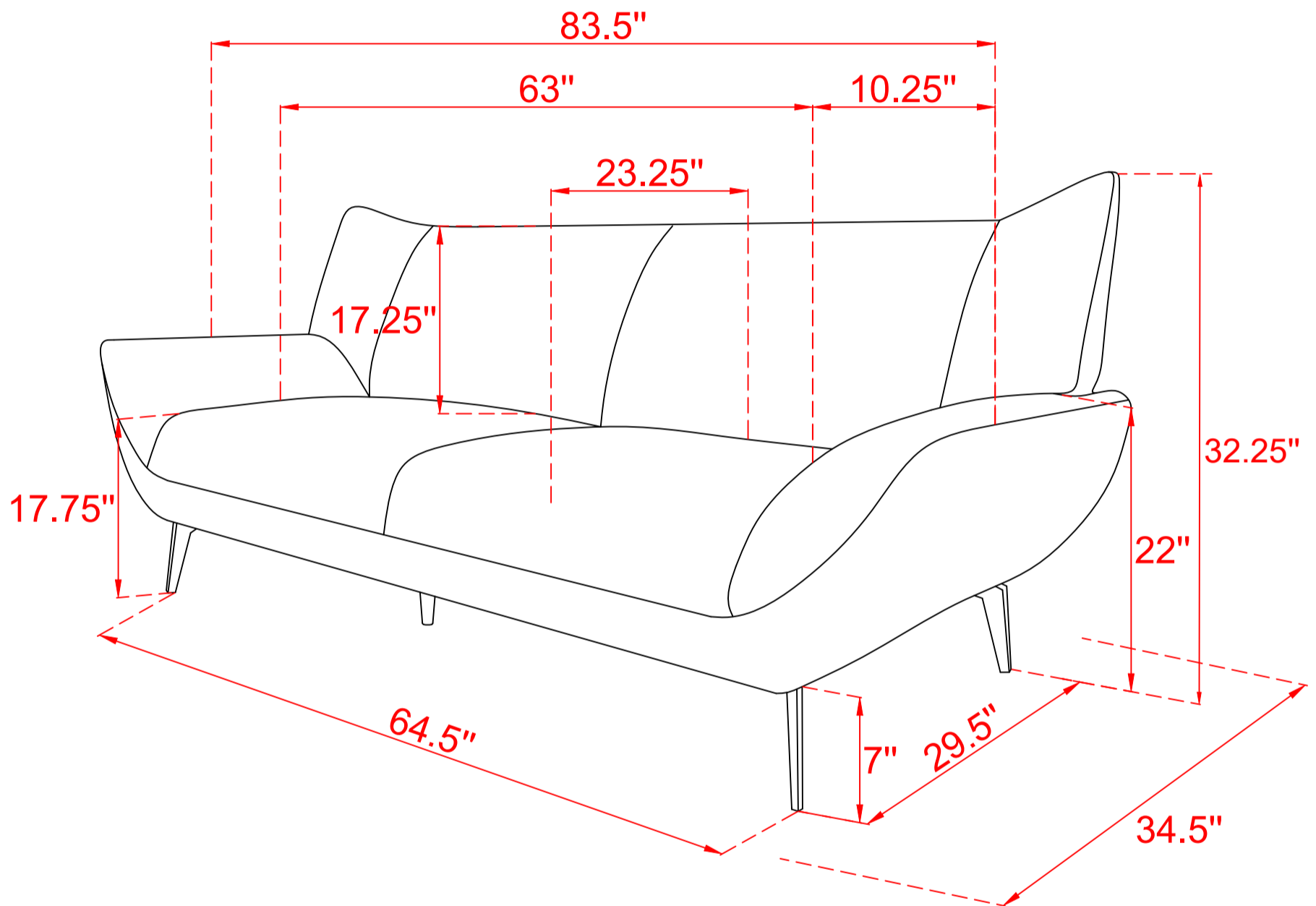


STEP 2



STEP 3





Note: Dimension tolerance $\pm 5\%$



ASSEMBLY INSTRUCTIONS

COASTER FINE FURNITURE



Fine Furniture for every stage of life

REVISION 0 :07/17/2023

PAGE 1 OF 4

511162
LOVESEAT

COASTERFURNITURE.COM

ITEM:511162



ASSEMBLY INSTRUCTIONS

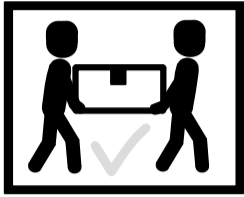
ASSEMBLY TIPS:

1. Remove hardware from box and sort by size.
2. Please check to see that all hardware and parts are present prior to start of assembly.
3. Please follow attached instructions in the same sequence as numbered to assure fast & easy assembly.



WARNING!



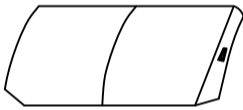


1. Don't attempt to repair or modify parts that are broken or defective. Please contact the store immediately.
2. This product is for home use only and not intended for commercial establishments.




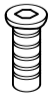


ASSEMBLY TIME

3 MINUTES

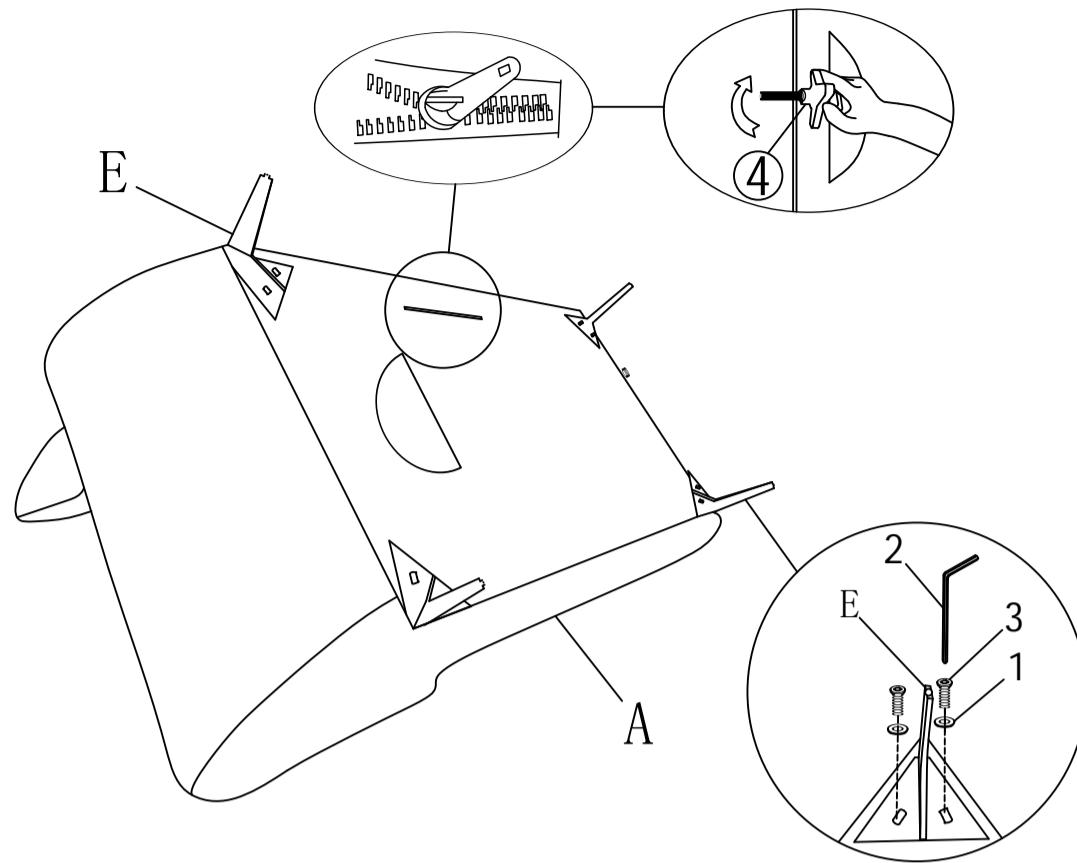
PARTS IDENTIFICATION

A	BASE		1PC	B	LEFT EAR		1PC
C	BACKREST		1PC	D	RIGHT EAR		1PC
E	LEG		4PCS				

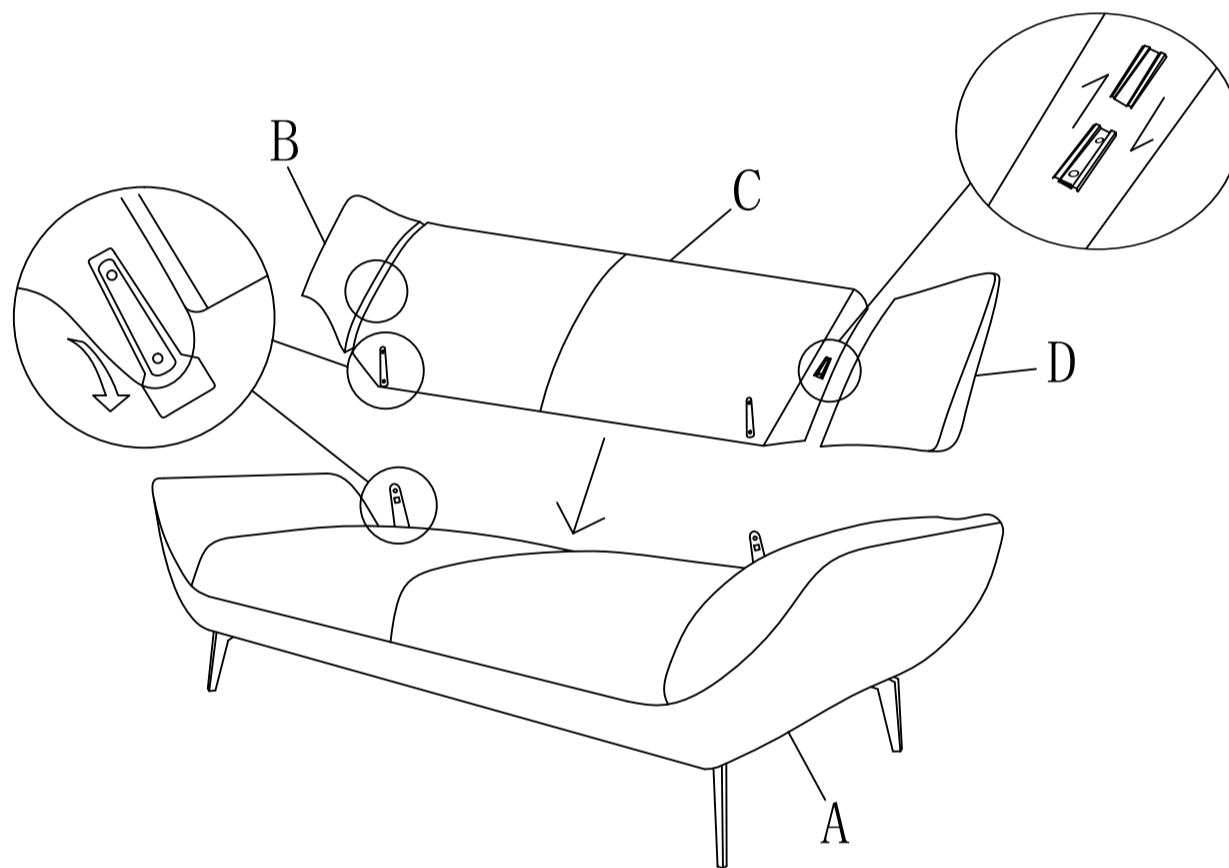
Z HAREWARE IDENTIFICATION

1	WASHER	 Ø0.6CM	8 PCS	3	BOLT	 6*30MM	8 PCS
2	WRENCH	 Ø0.6CM	1 PC	4	TRIPLE HEAD SCREW	 8*58MM	1 PC

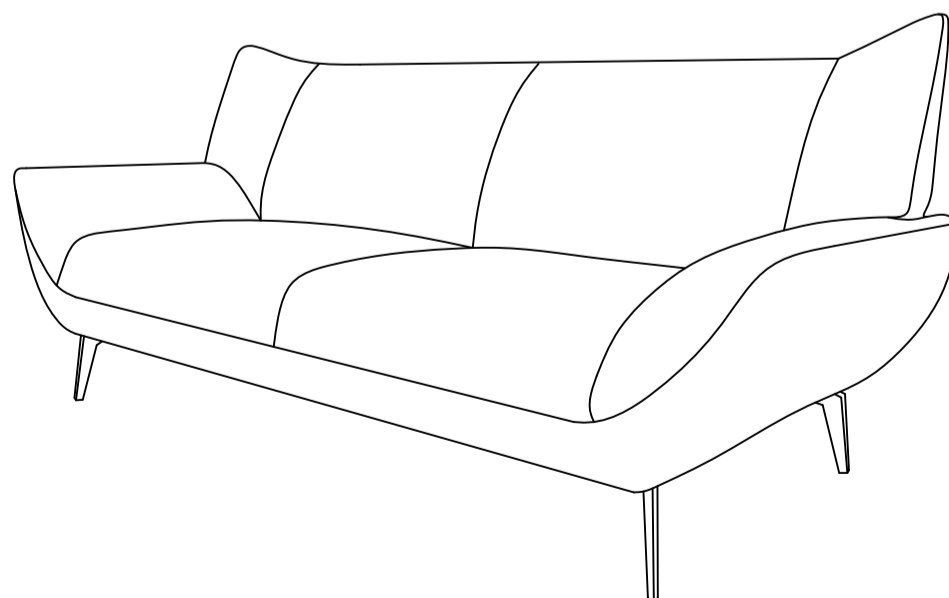
STEP 1

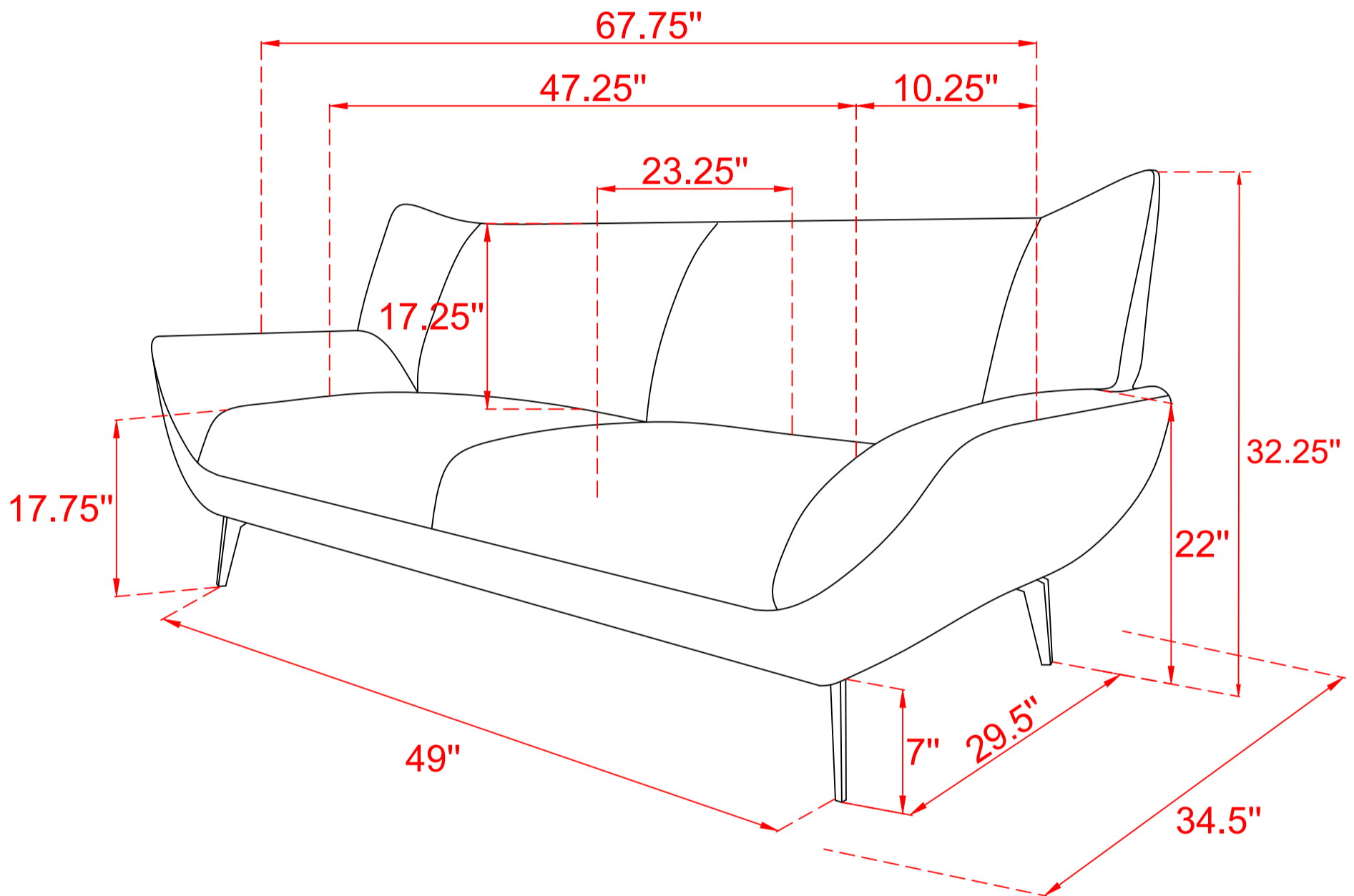


STEP 2



STEP 3





Note: Dimension tolerance $\pm 5\%$

ASSEMBLY INSTRUCTIONS
COASTER FINE FURNITURE



Fine Furniture for every stage of life

ITEM:511163



ASSEMBLY INSTRUCTIONS

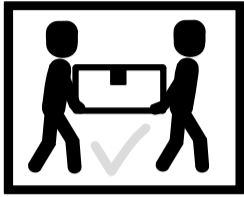
ASSEMBLY TIPS:

1. Remove hardware from box and sort by size.
2. Please check to see that all hardware and parts are present prior to start of assembly.
3. Please follow attached instructions in the same sequence as numbered to assure fast & easy assembly.



WARNING!

1. Don't attempt to repair or modify parts that are broken or defective. Please contact the store immediately.
2. This product is for home use only and not intended for commercial establishments.



ASSEMBLY TIME

3 MINUTES

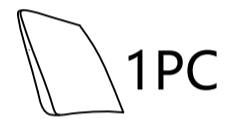
PARTS IDENTIFICATION

A BASE



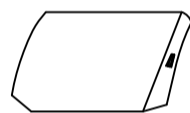
1PC

B LEFT EAR



1PC

C BACKREST



1PC

D RIGHT EAR



1PC

E LEG



4PCS

Z HAREWARE IDENTIFICATION

1 WASHER



8 PCS

3 BOLT



8 PCS

2 WRENCH



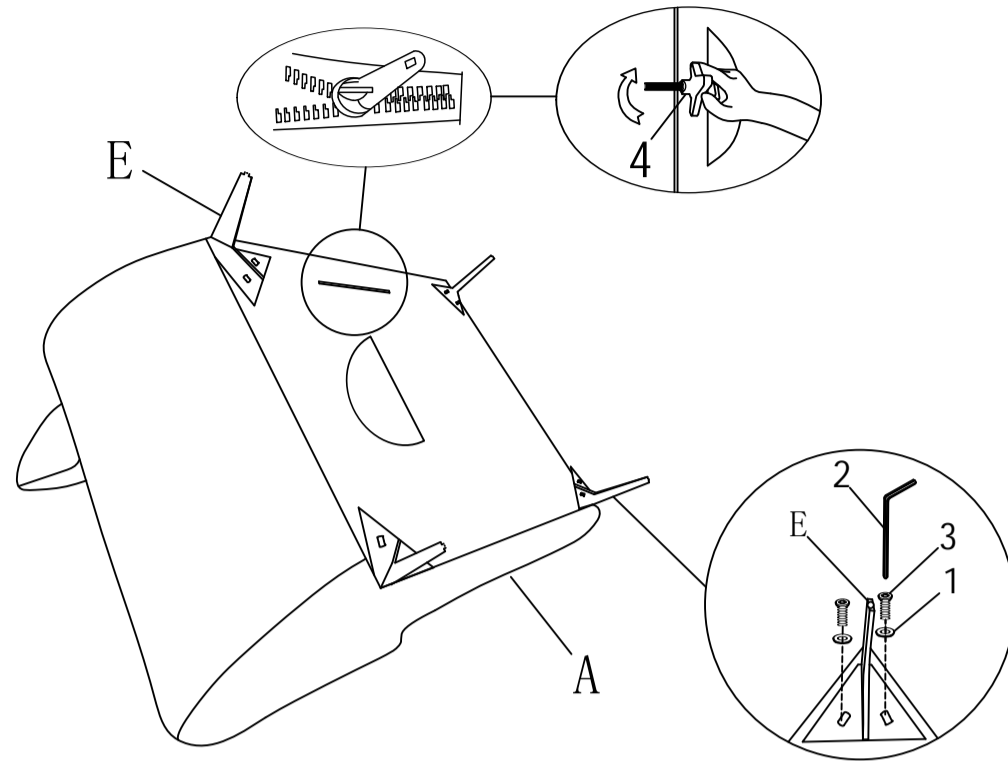
1 PC

4 TRIPLE HEAD SCREW

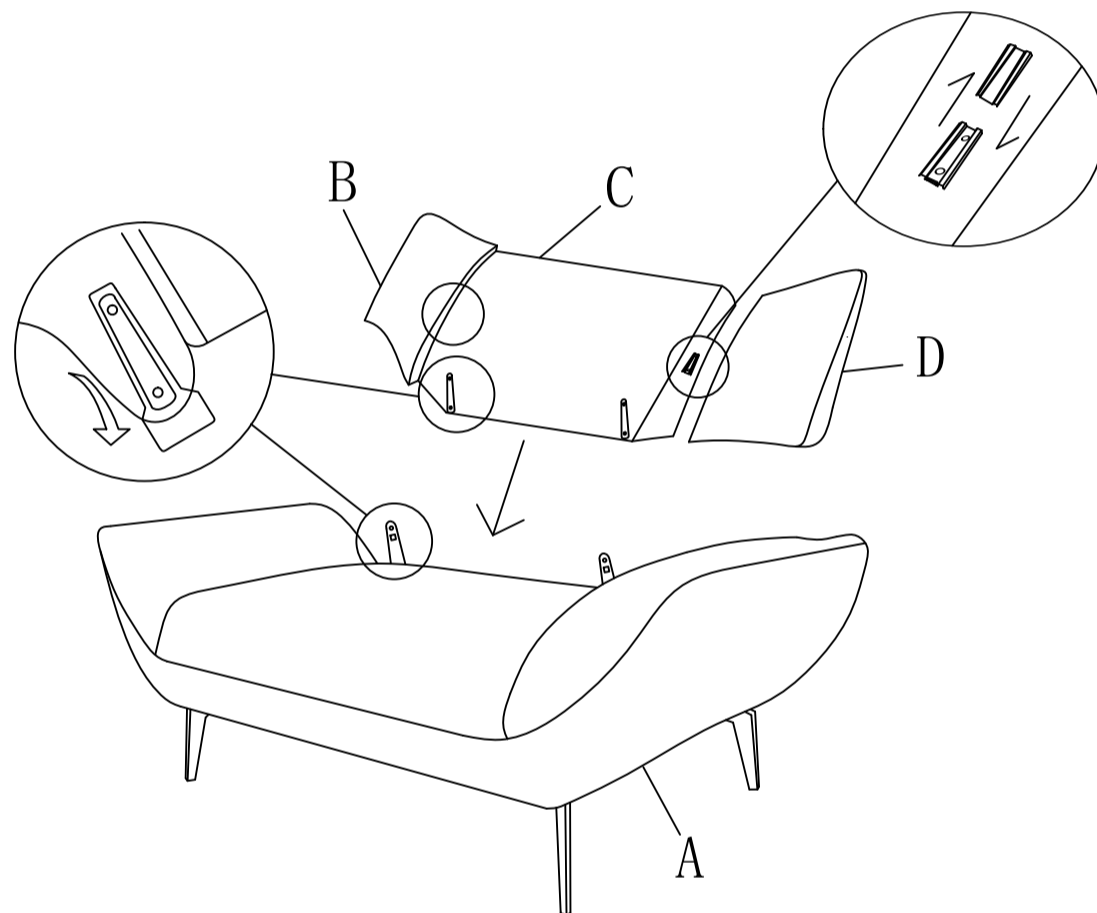


1 PC

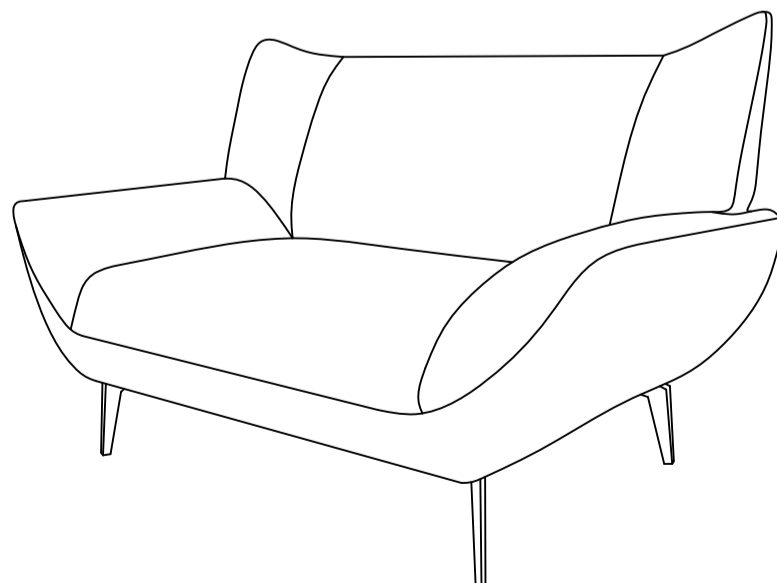
STEP 1

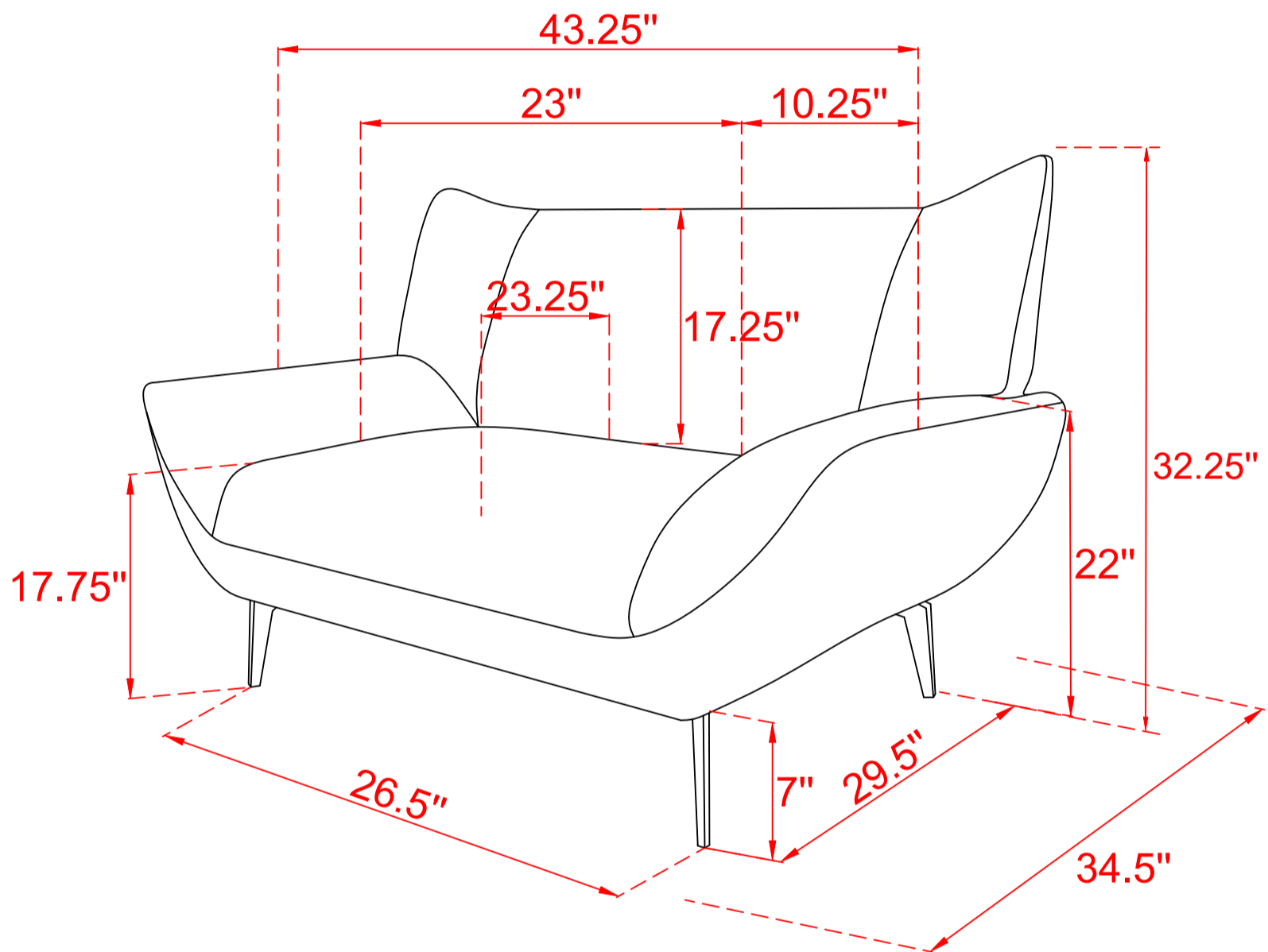


STEP 2



STEP 3





Note: Dimension tolerance $\pm 5\%$