

ASSEMBLY INSTRUCTIONS
COASTER FINE FURNITURE



Fine Furniture for every stage of life

552001

Sofa

ITEM: **552001**

ASSEMBLY INSTRUCTIONS

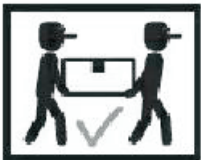
ASSEMBLY TIPS:

1. Remove hardware from box and sort by size
2. Please check to see that all hardware and parts are present prior to start of assembly.
3. Please follow attached instruction in the same sequence as numbered to assure fast & easy assembly.



Warning!

1. Don't attempt to repair or modify parts that are broken or defective. Please contact the store immediately.
2. This product is for home use only and not intended for commercial establishment



ASSEMBLY TIME

30 MINUTES

PARTS IDENTIFICATION:

ZN HARDWARE PACKAGE

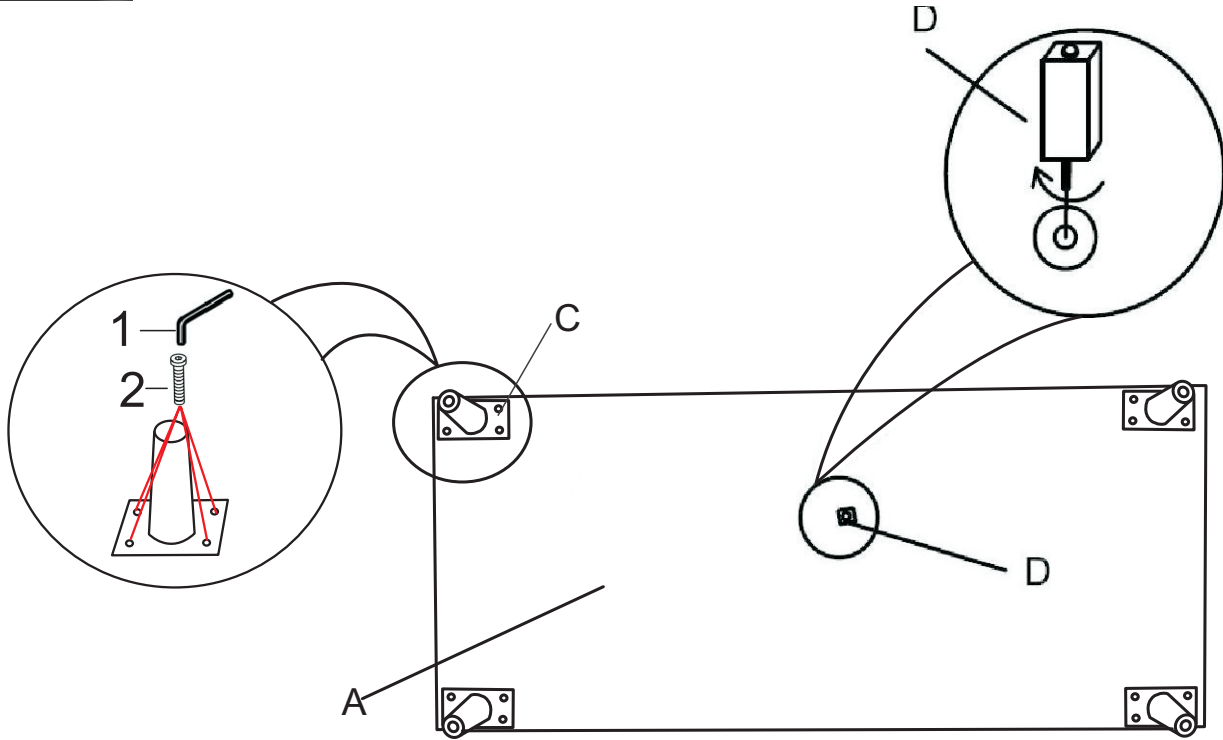
A	BASE		1PC
B	BACK CUSHION		3PCS
C	LEG		4PCS
D	MIDDLE LEG		1PC
E	PILLOW		2PCS

NO	DESCRIPTION	FIGURE	QTY
1	BOLT (M6*25mm)- RBW		16PCS
2	ALLEN KEY (M6)-SR		1PC

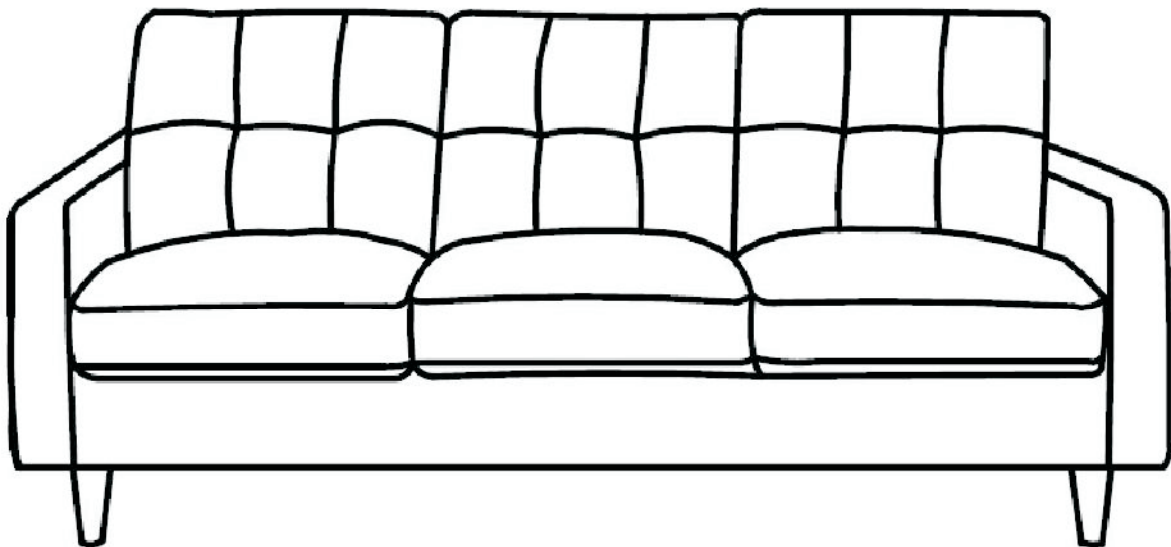
ITEM: **552001**

ASSEMBLY INSTRUCTIONS

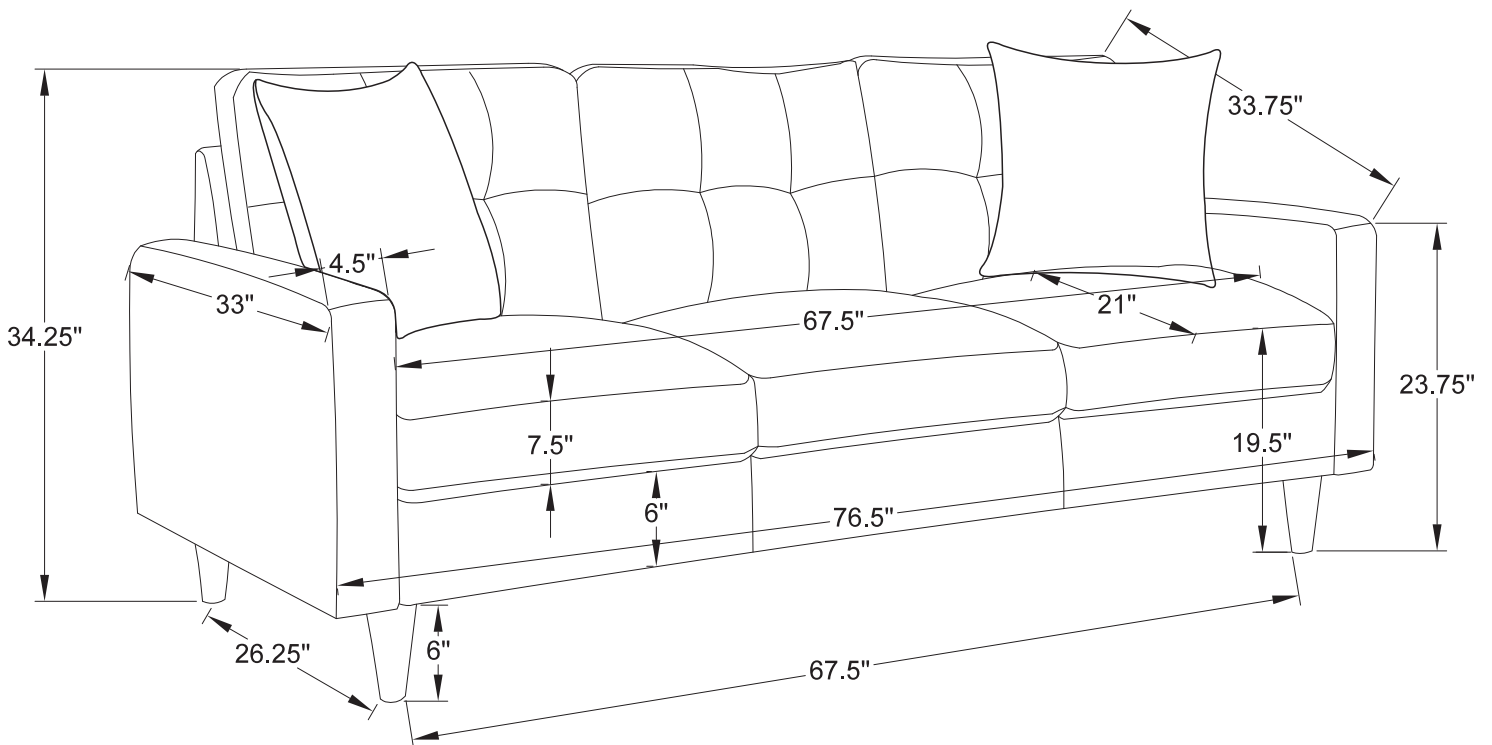
STEP 1



STEP 2



ITEM NO: 552001



Note: Dimension tolerance $\pm 5\%$