

ASSEMBLY INSTRUCTIONS
COASTER FINE FURNITURE



Fine Furniture for every stage of life

600130P
POWER LIFT RECLINER

ITEM :600130P

ASSEMBLY INSTRUCTIONS



ASSEMBLY TIPS:

- 1.Remove hardware from box and sort by size.
- 2.Please check to see that all hardware and parts are present prior to start of assembly.
- 3.Please follow attached instruction in the same sequence as numbered to assure fast & easy assembly.



WARNING!

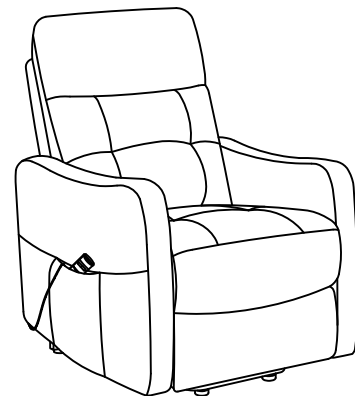
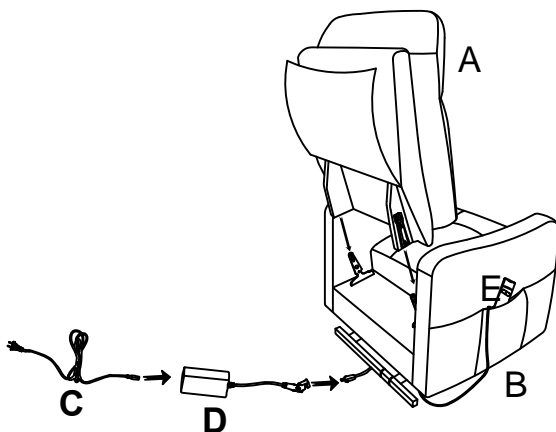
- 1.Don't attempt to repair or modify parts that are broken or defective. Please contact the store immediately.
- 2.This product is for home use only and not intended for commercial establishment.



ASSEMBLY TIME

2 MINUTES

PARTS IDENTIFICATION



A BACK



1 PC

B BASE



1 PC

C EXTENSION CABLE



1 PC

D ADAPTER



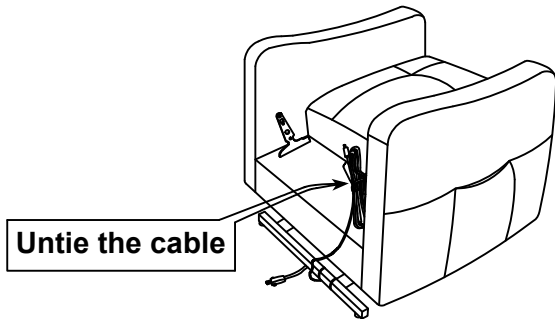
1 PC

E CONTROLLER

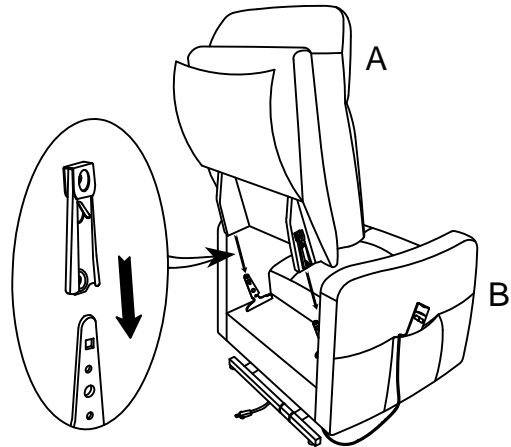


1 PC

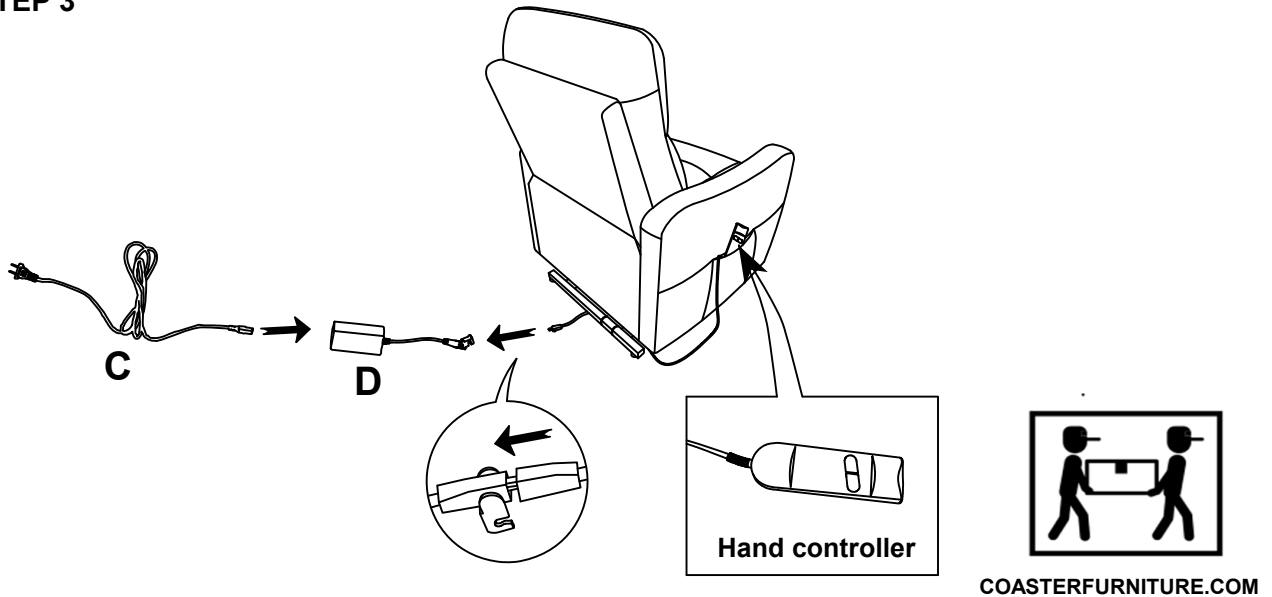
STEP 1



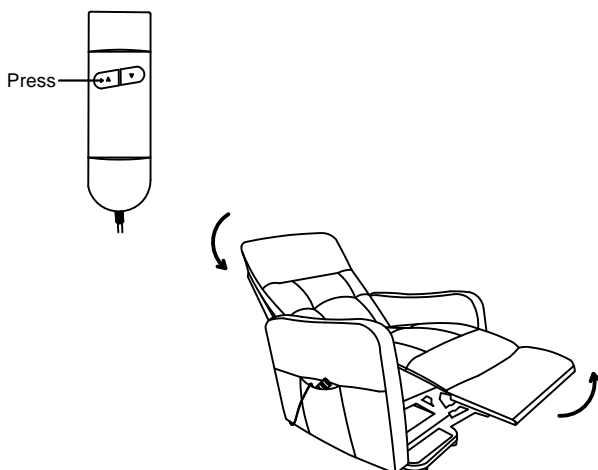
STEP 2



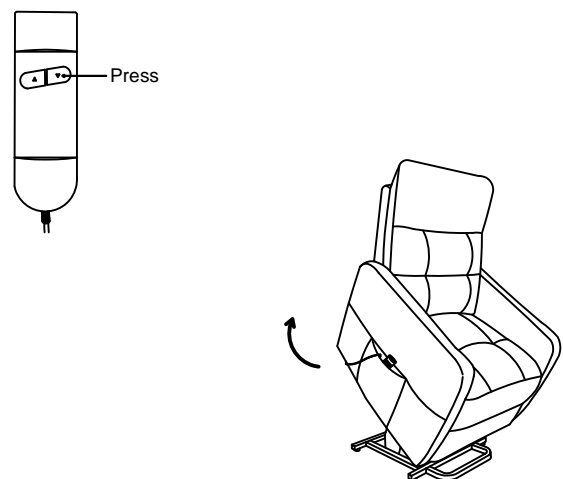
STEP 3



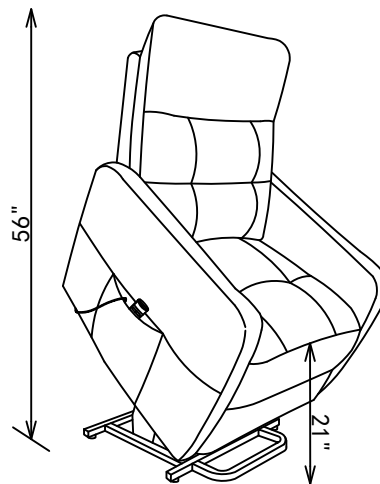
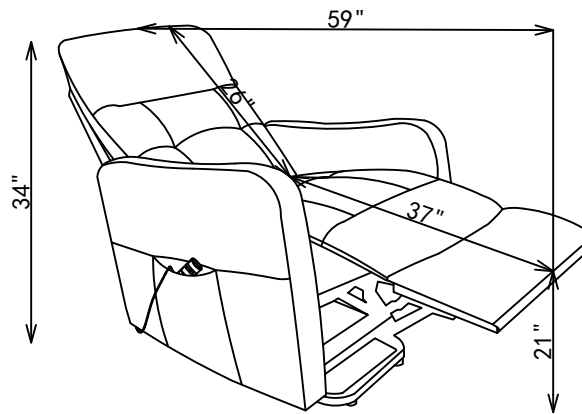
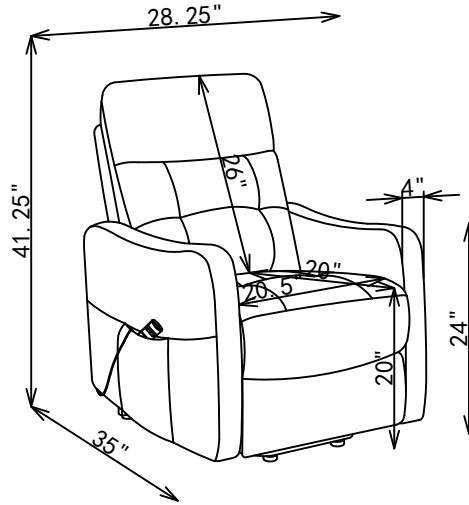
STEP 4



STEP 5



600130P



Note: Dimension tolerance $\pm 5\%$