



*ASSEMBLY INSTRUCTIONS*  
*COASTER FINE FURNITURE*



*Fine Furniture for every stage of life*

**609479P**  
***Power Lift Recliner***

ITEM: **609479P**



## ASSEMBLY INSTRUCTIONS

### ASSEMBLY TIPS:

- 1.Remove hardware from box and sort by size.
- 2.Please check to see that all hardware and parts are present prior to start of assembly.
- 3.Please follow attached instructions in the same sequence as numbered to assure fast & easy assembly.



### WARNING

- 1.Don't attempt to repair or modify parts that are broken or defective. Please contact the store immediately.
- 2.This product is for home use only and not intended for commercial establishments.



ASSEMBLY TIME

5 MINUTES

## PARTS IDENTIFICATION

A SEAT



1PC

B BACK



1PC

CF MOTOR CABLE



1PC

E ADAPTER

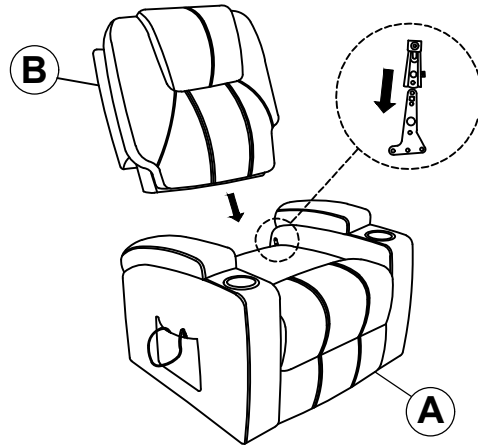


1PC

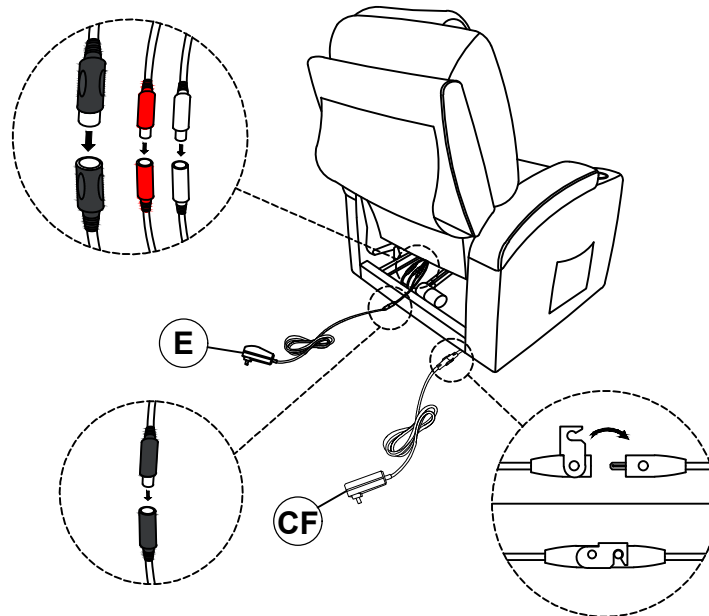
ITEM: **609479P**  
**ASSEMBLY INSTRUCTIONS**



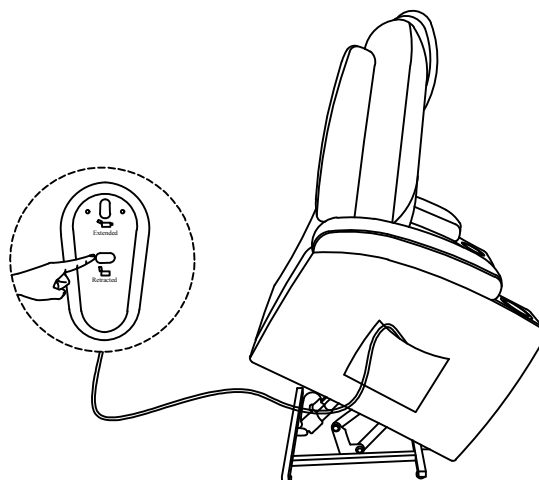
**STEP 1**



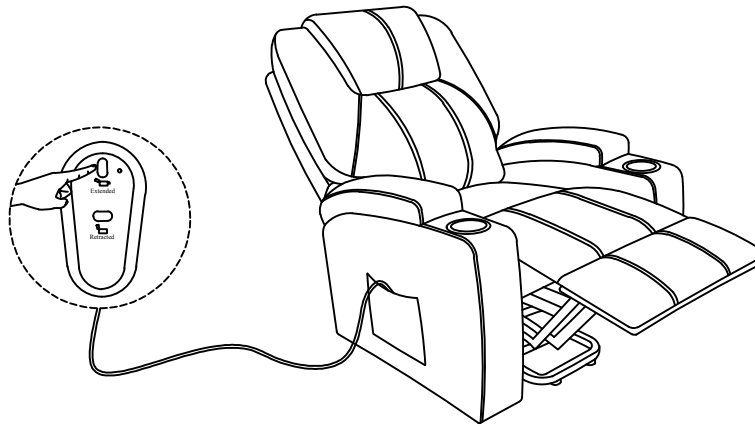
**STEP 2**



**STEP 3**



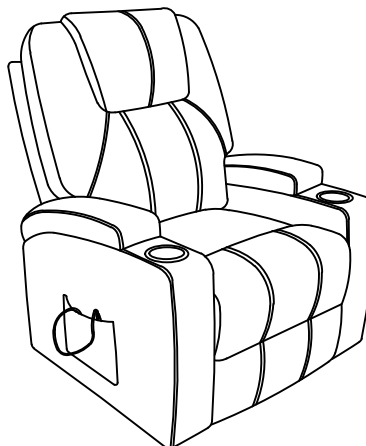
ITEM: **609479P**  
**ASSEMBLY INSTRUCTIONS**  
**STEP 4**



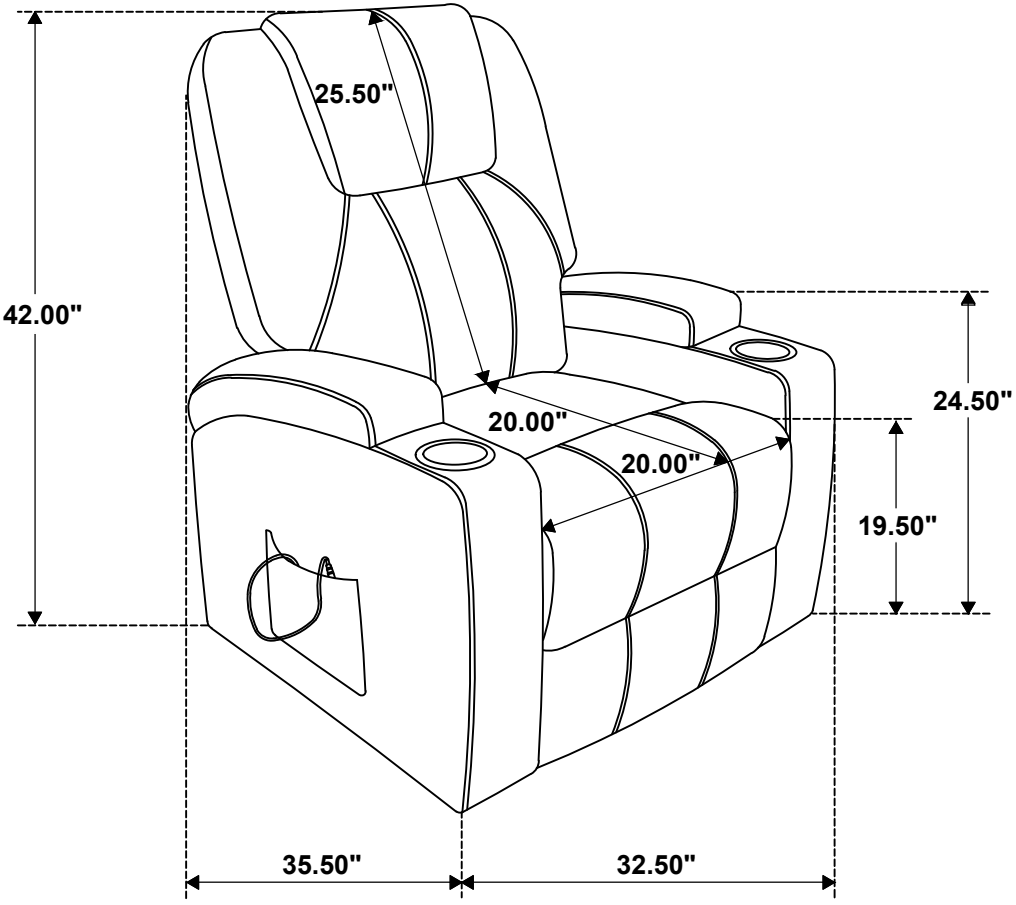
**STEP 5**



**STEP 6**  
**COMPLETE**



ITEM: 609479P



Note: Dimension tolerance  $\pm 5\%$