

ASSEMBLY INSTRUCTIONS
COASTER FINE FURNITURE



Fine Furniture for every stage of life

708287
End Table

ITEM: 708287



ASSEMBLY INSTRUCTIONS

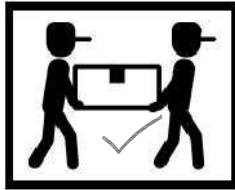
ASSEMBLY TIPS :

1. Remove hardware from box and sort by size.
2. Please check to see that all hardware and parts are present prior to start of assembly.
3. Please follow attached instructions in the same sequence as numbered to assure fast & easy assembly.



WARNING !

1. Don't attempt to repair or modify parts that are broken or defective. Please contact the store immediately.
2. This product is for home use only and not intended for commercial establishments.



ASSEMBLY TIME

15 MINUTES

PARTS IDENTIFICATION

A	TOP		1PC
B	LEG FRAME		1PC
C	LEG		2PCS
D	UPPER CROSSBAR		1PC
E	LOWER CROSSBAR		1PC

HARDWARE IDENTIFICATION

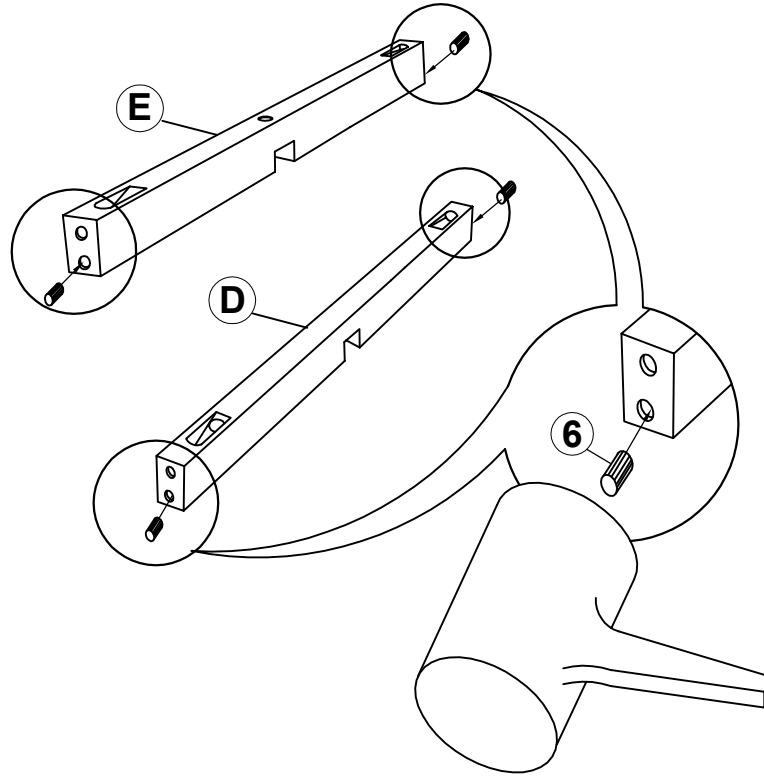
1	ALLEN WRENCH (M4 x 100mm - BLK)		1PC
2	BOLT (M6 x 50mm - RBW)		8PCS
3	LOCK WASHER (1/4" - BLK)		8PCS
4	FLAT WASHER (M6 x 13mm - RBW)		8PCS
5	HEX HEAD SCREW (M7 x 35mm - RBW)		1PC
6	WOOD DOWEL (M8 x 30mm)		4PCS

ITEM: **708287**

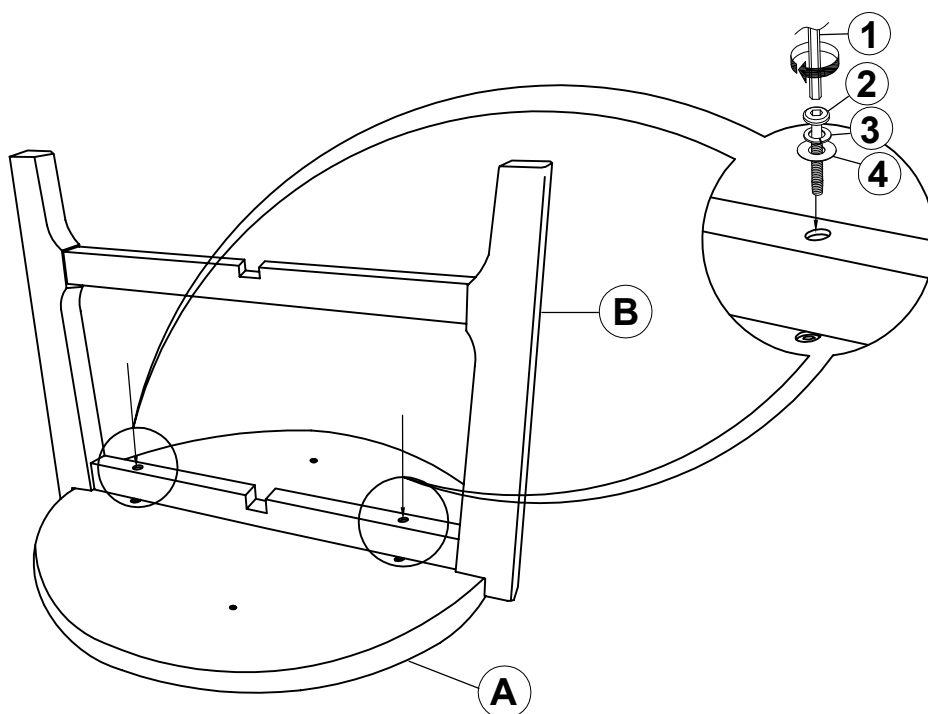
ASSEMBLY INSTRUCTIONS



STEP 1

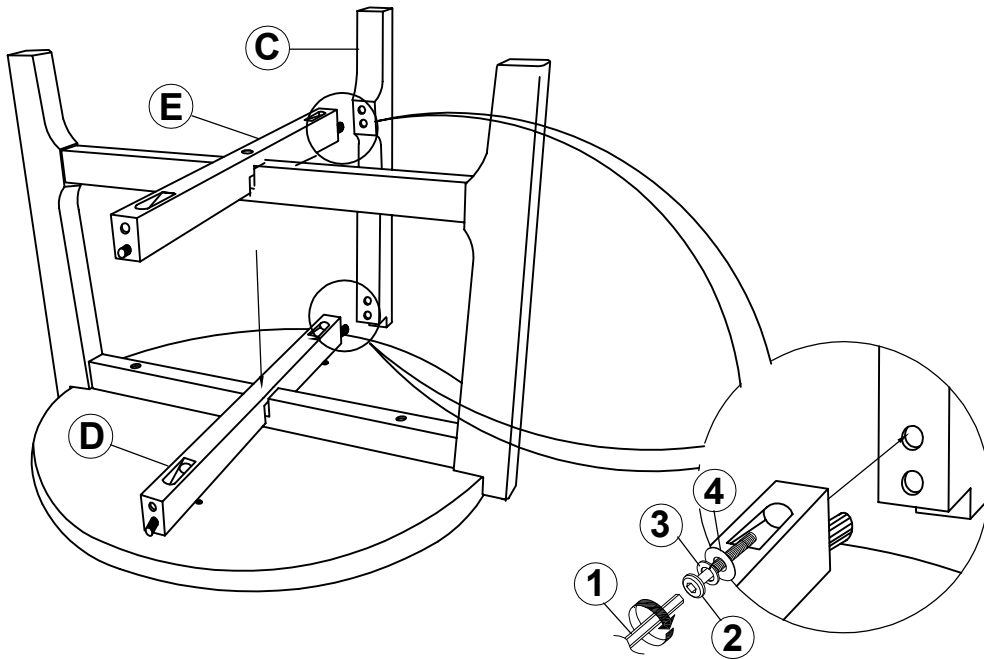


STEP 2

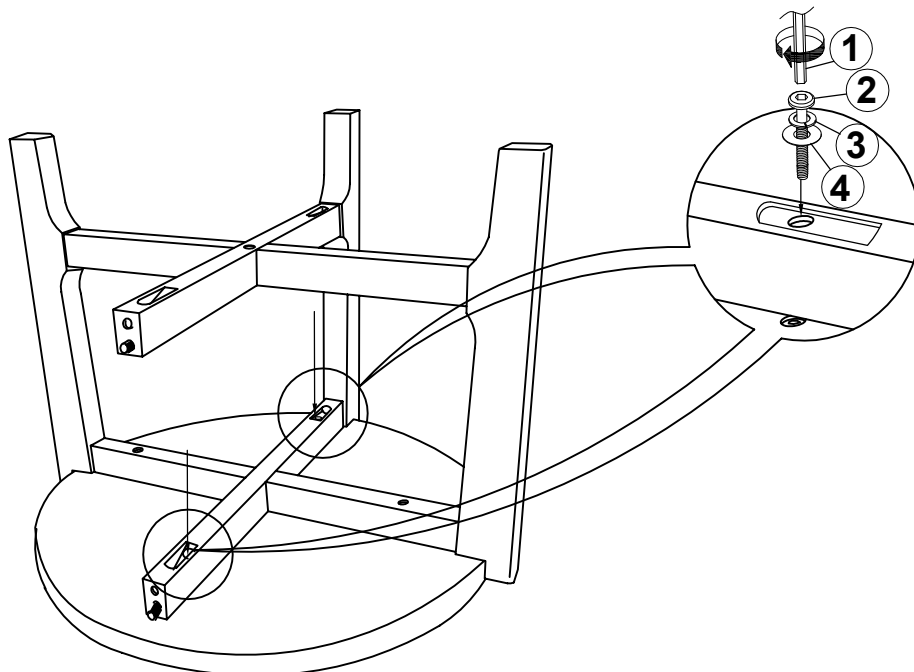


ITEM: **708287**
ASSEMBLY INSTRUCTIONS

STEP 3



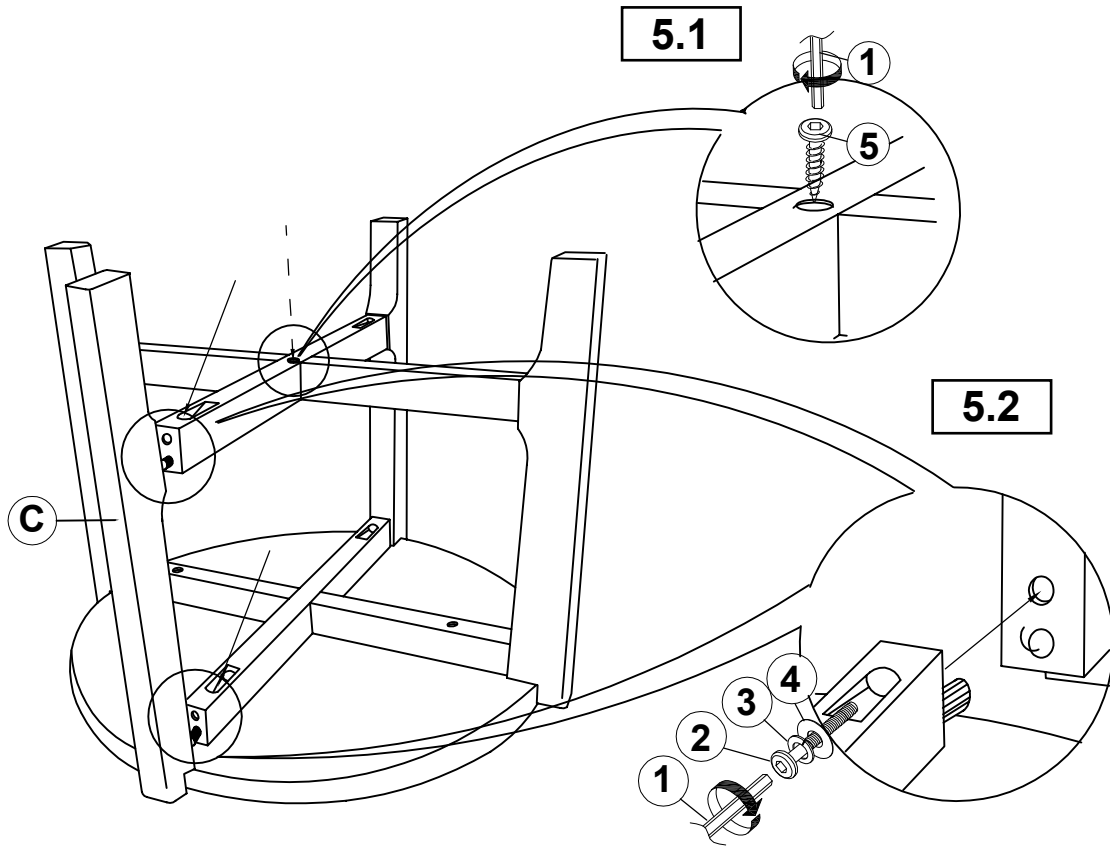
STEP 4



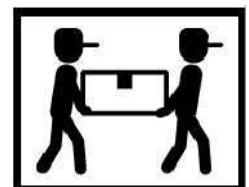
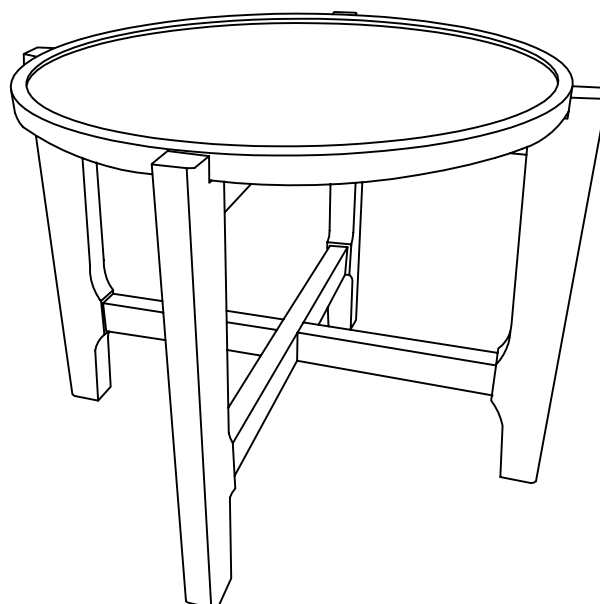
ITEM: **708287**
ASSEMBLY INSTRUCTIONS



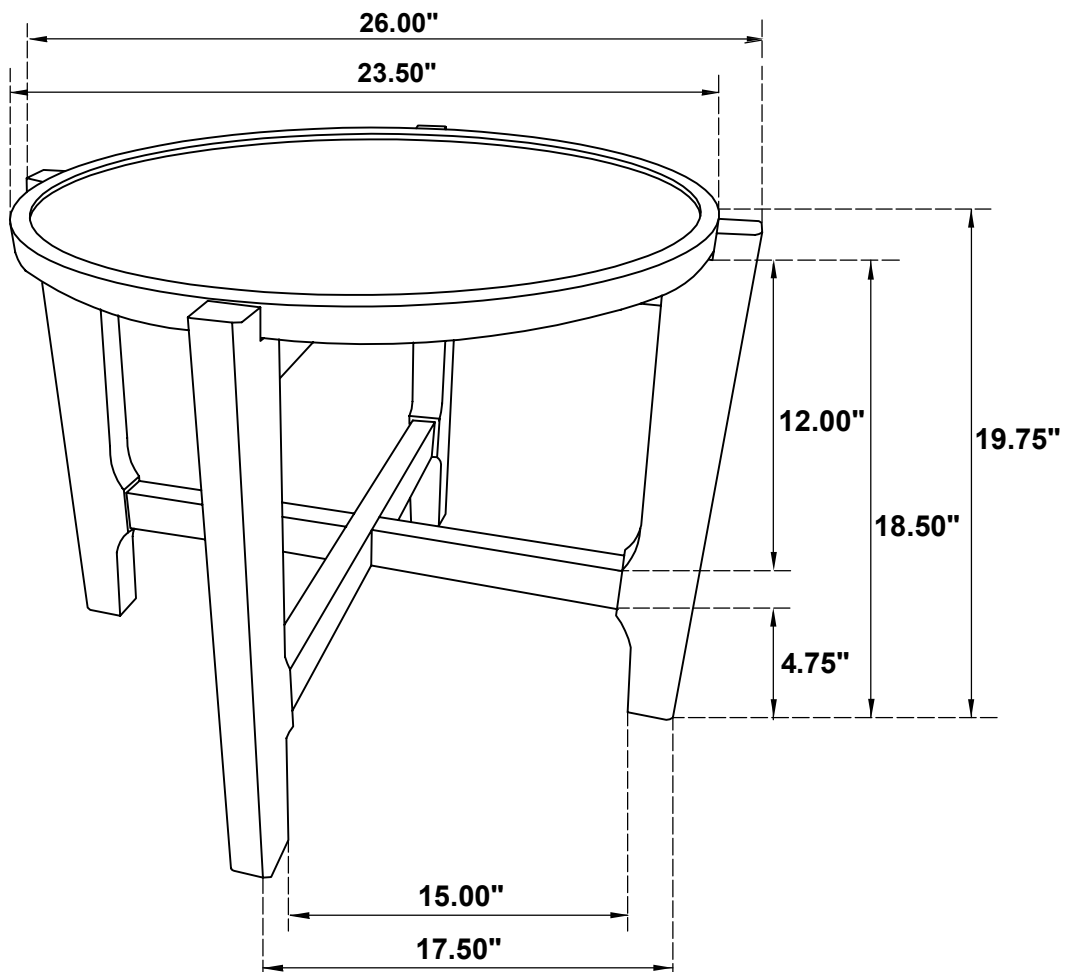
STEP 5



STEP 6
COMPLETE



ITEM: **708287**



Note: Dimension tolerance $\pm 5\%$