

ASSEMBLY INSTRUCTIONS
COASTER FINE FURNITURE



Fine Furniture for every stage of life

736057
End Table

ITEM: 736057

ASSEMBLY INSTRUCTIONS



ASSEMBLY TIPS:

1. Remove hardware from box and sort by size.
2. Please check to see that all hardware and parts are present prior to start of assembly.
3. Please follow attached instructions in the same sequence as numbered to assure fast & easy assembly.



WARNING!

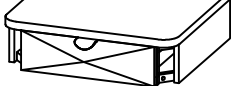
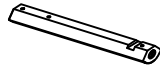
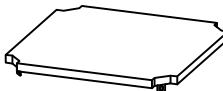
1. Don't attempt to repair or modify parts that are broken or defective. Please contact the store immediately.
2. This product is for home use only and not intended for commercial establishments.






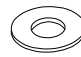

ASSEMBLY TIME

15 MINUTES

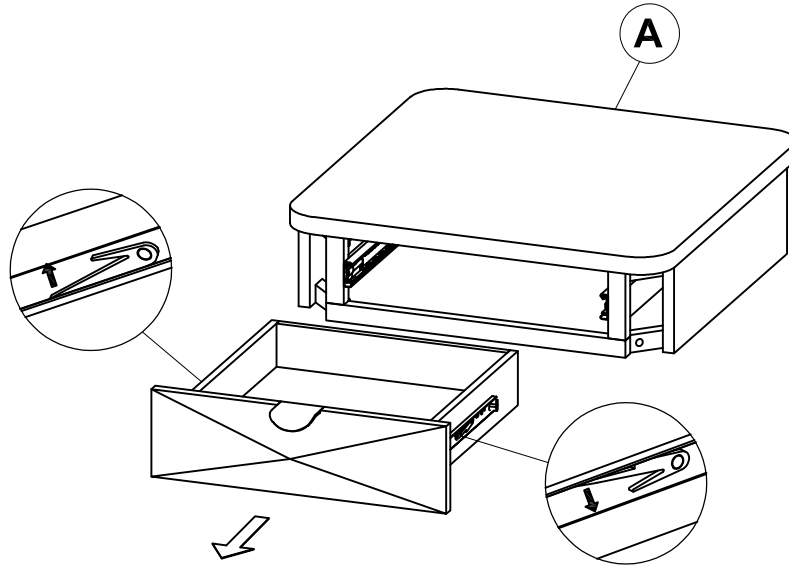
PARTS IDENTIFICATION

A	TOP		1PC
B	LEG		4PCS
C	SHELF		1PC

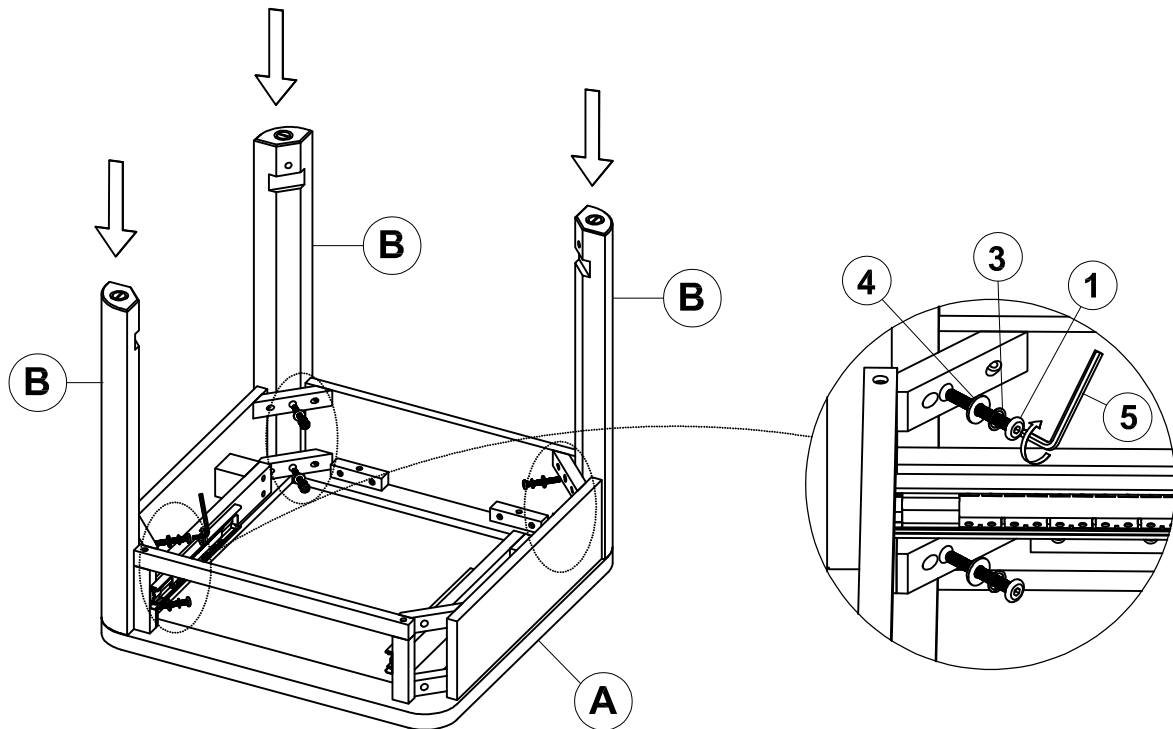
HARDWARE IDENTIFICATION

1	LONG BOLT (1/4" x 50mm - BLK)		8PCS
2	SHORT BOLT (1/4" x 20mm - BLK)		4PCS
3	LOCK WASHER (1/4" x 14mm - BLK)		12PCS
4	FLAT WASHER (1/4" x 19mm - BLK)		12PCS
5	ALLEN WRENCH (4mm x 64mm - BLK)		1PC

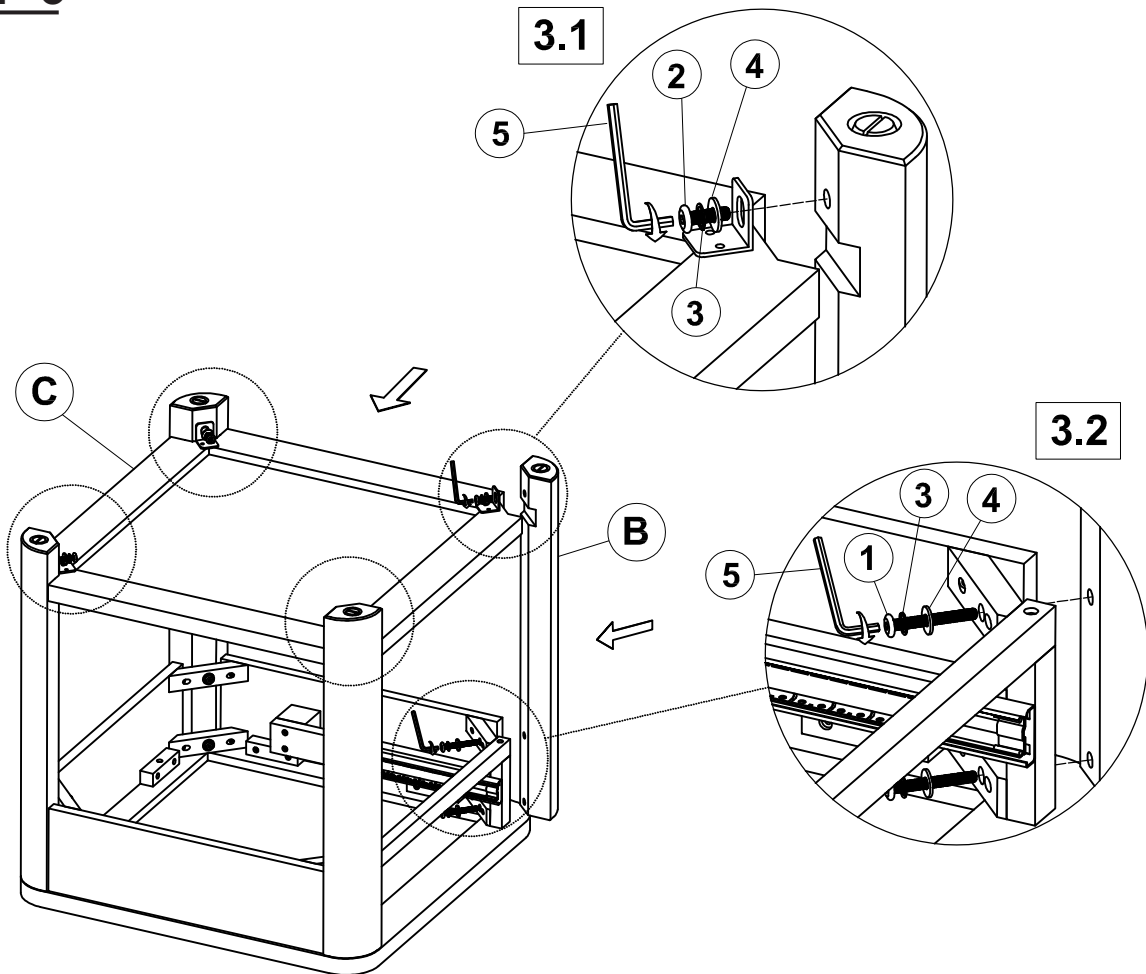
ITEM: **736057**
ASSEMBLY INSTRUCTIONS
STEP 1



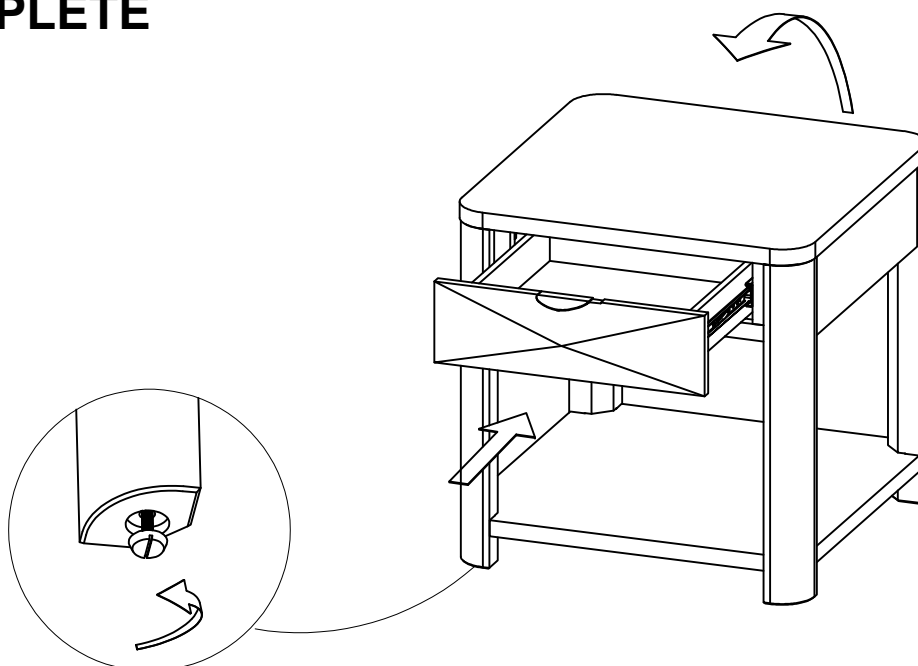
STEP 2



ITEM: **736057**
ASSEMBLY INSTRUCTIONS
STEP 3



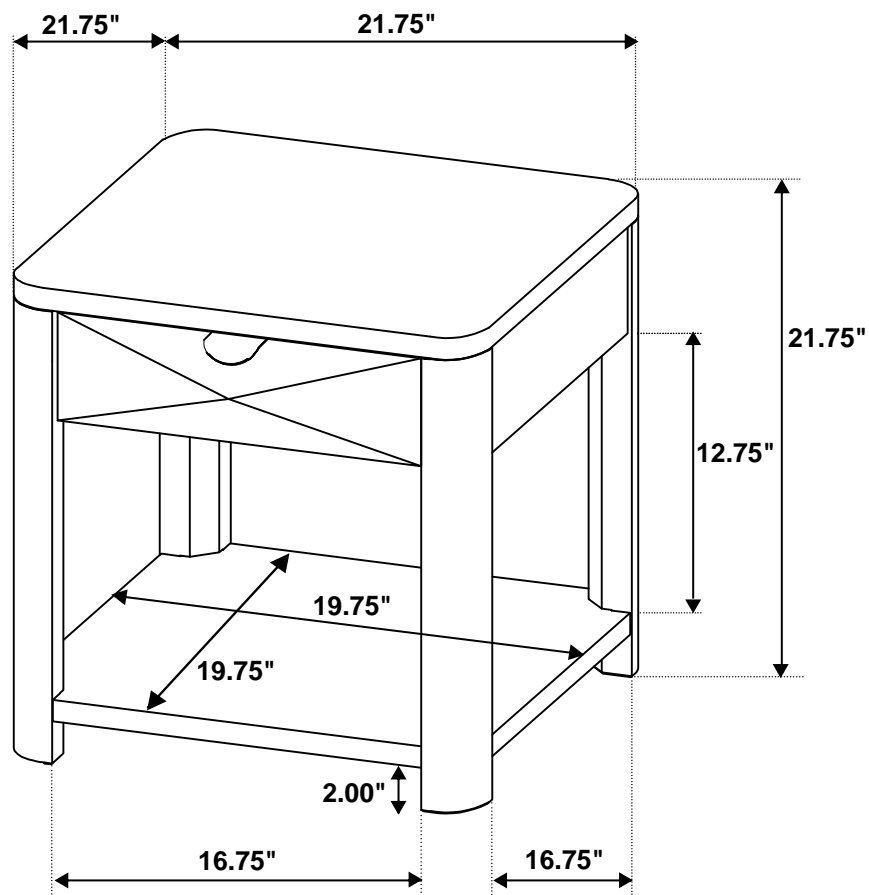
STEP 4
COMPLETE



ITEM: 736057



Inner Size of Drawer: 13.00"W x 13.00"D x 2.25"H x 0.50"T



Note: Dimension tolerance $\pm 5\%$