

*ASSEMBLY INSTRUCTIONS*  
*COASTER FINE FURNITURE*



*Fine Furniture for every stage of life*

**801075**  
**Writing Desk**

# ITEM: 801075

## ASSEMBLY INSTRUCTIONS



### ASSEMBLY TIPS:

1. Remove hardware from box and sort by size.
2. Please check to see that all hardware and parts are present prior to start of assembly.
3. Please follow attached instructions in the same sequence as numbered to assure fast & easy assembly.



### WARNING!

1. Don't attempt to repair or modify parts that are broken or defective. Please contact the store immediately.
2. This product is for home use only and not intended for commercial establishments.



ASSEMBLY TIME

20 MINUTES

## PARTS IDENTIFICATION

A	TOP		1PC
B	LEFT DRAWER (PRE-ATTACHED TO TOP)		1PC
C	RIGHT DRAWER (PRE-ATTACHED TO TOP)		1PC
D	LEFT LEG FRAME		1PC
E	RIGHT LEG FRAME		1PC
F	CROSSBAR		1PC
G	LEG SUPPORT		1PC
H	LEFT SHELF PANEL		1PC
I	RIGHT SHELF PANEL		1PC
J	MIDDLE SHELF PANEL		2PCS
K	SHELF BOTTOM PANEL		1PC
L	SHELF BACK PANEL		1PC

# ITEM: 801075

## ASSEMBLY INSTRUCTIONS



### ASSEMBLY TIPS:


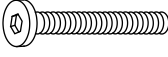

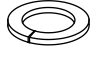




1. Remove hardware from box and sort by size.
2. Please check to see that all hardware and parts are present prior to start of assembly.
3. Please follow attached instructions in the same sequence as numbered to assure fast & easy assembly.



### WARNING!

1. Don't attempt to repair or modify parts that are broken or defective. Please contact the store immediately.
2. This product is for home use only and not intended for commercial establishments.

## HARDWARE IDENTIFICATION

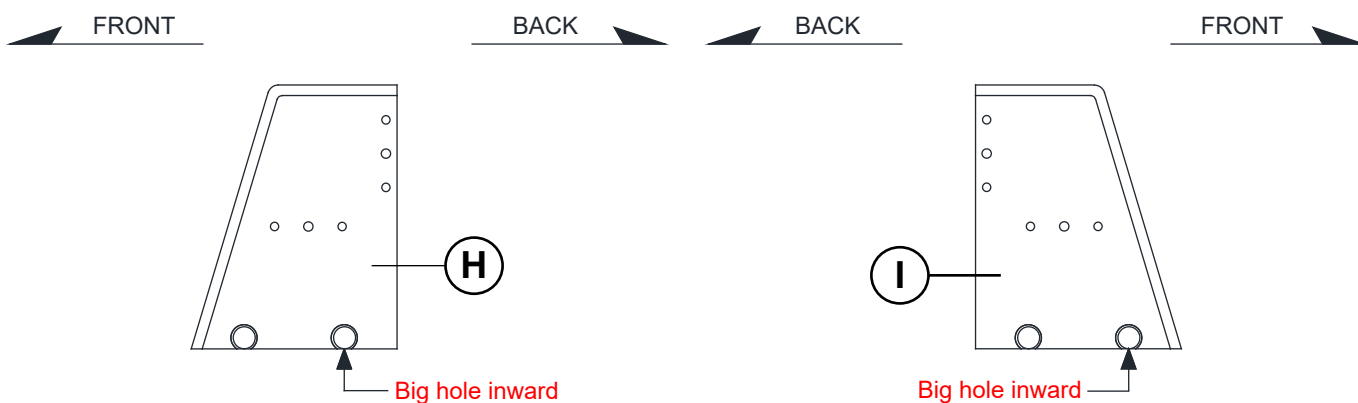
1	<b>ALLEN WRENCH</b> (M4 X 60MM - BLK)		1PC
2	<b>LONG BOLT</b> (M6 X 70MM - RBW)		2PCS
3	<b>SHORT BOLT</b> (M6 X 35MM - RBW)		18PCS
4	<b>LOCK WASHER</b> (M6 X 13MM - RBW)		20PCS
5	<b>FLAT WASHER</b> (M6 X 13MM - RBW)		20PCS
6	<b>WOOD DOWEL</b> (M8 X 30MM)		20PCS
7	<b>WOOD BUTTON</b> (M8 X 14.5MM)		4PCS
8	<b>CAM BOLT</b> (L33 X W25 X 10MM - BLK)		4PCS

ITEM: **801075**

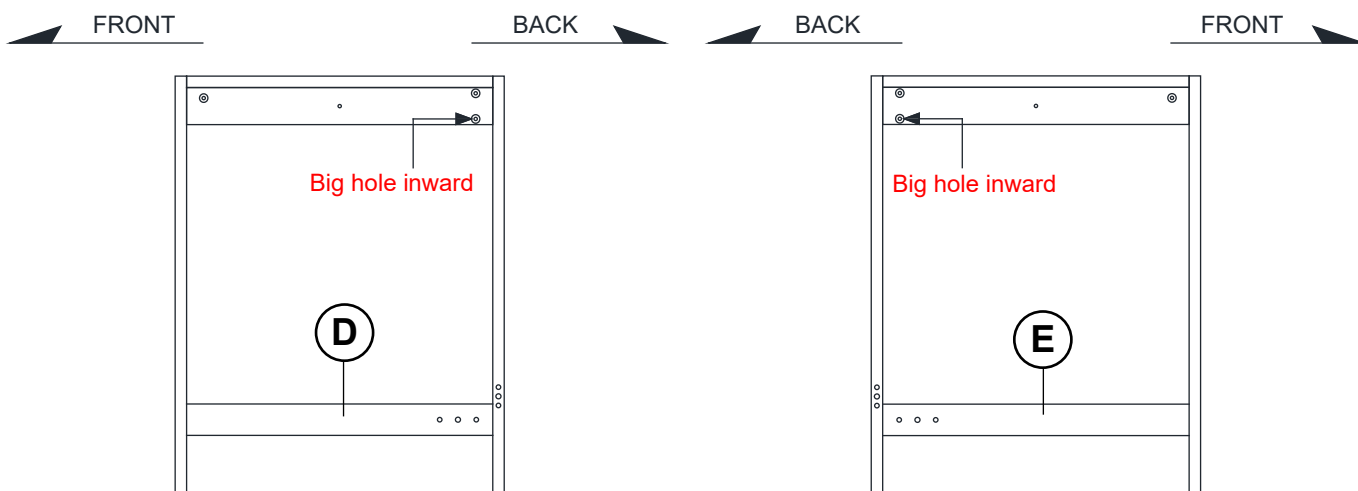
# ASSEMBLY INSTRUCTIONS



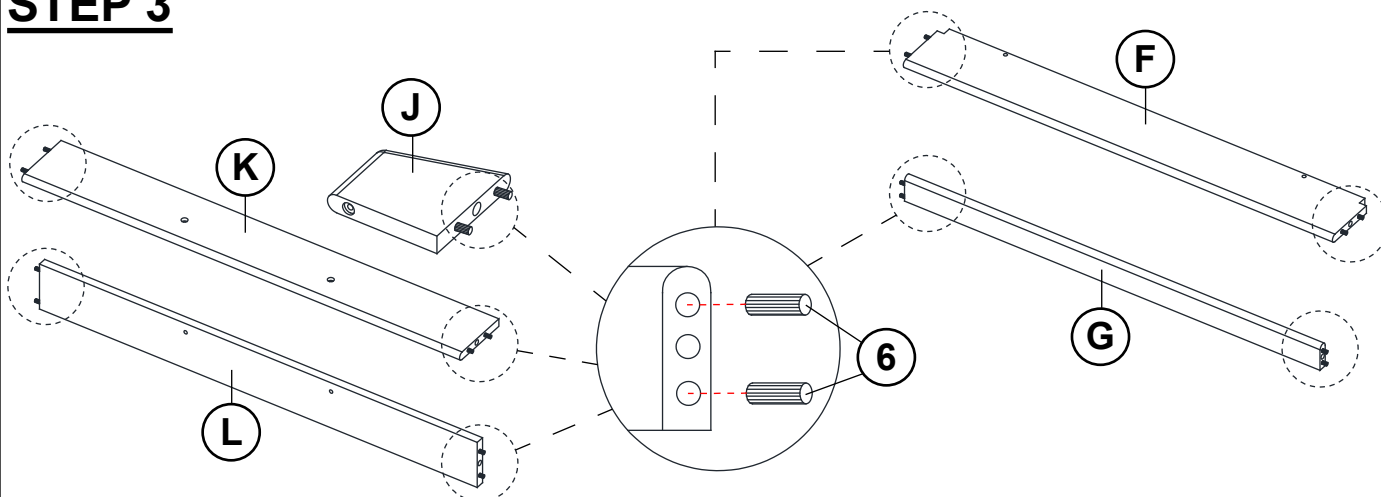
## STEP 1



## STEP 2



## STEP 3

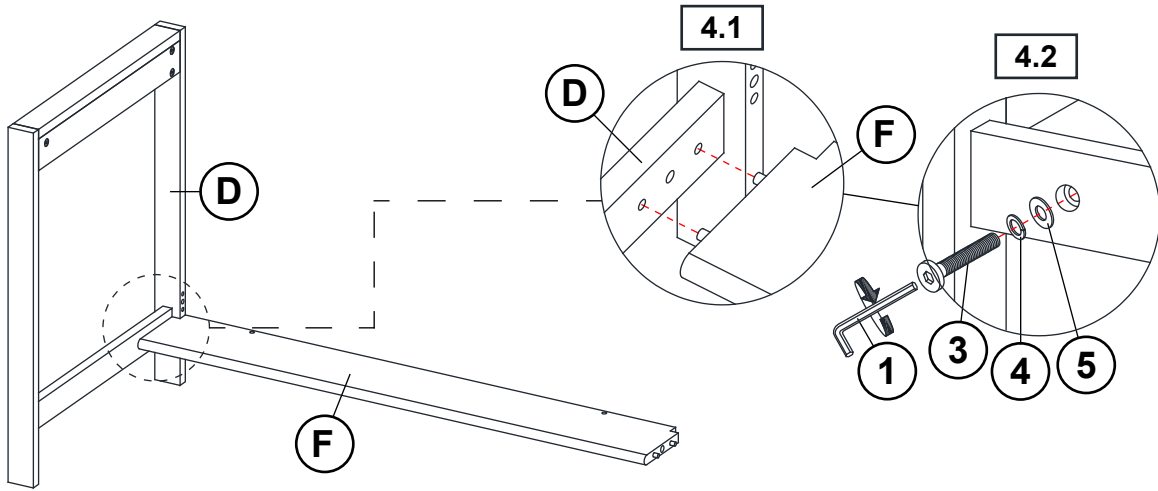


ITEM: **801075**

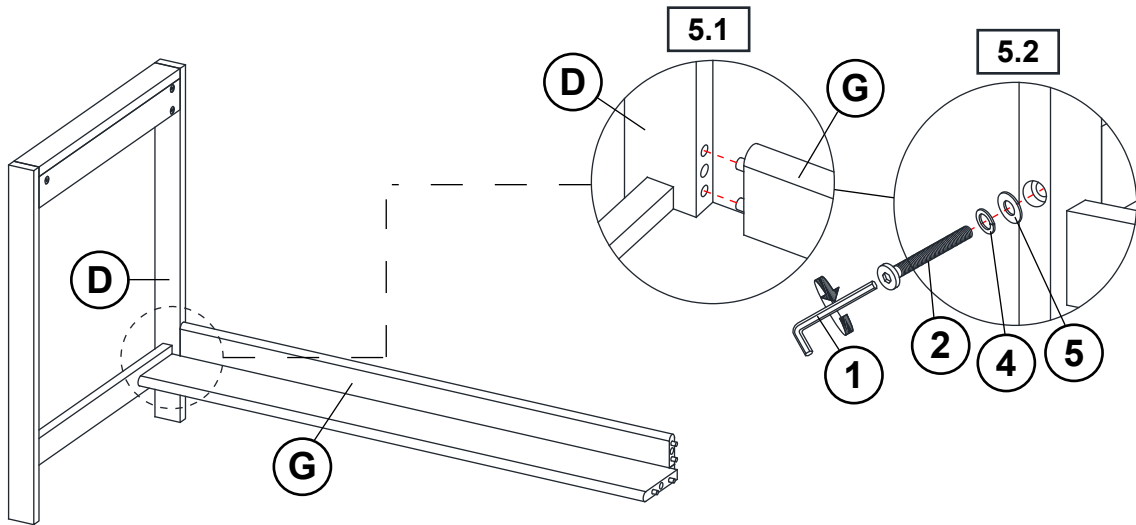
**ASSEMBLY INSTRUCTIONS**



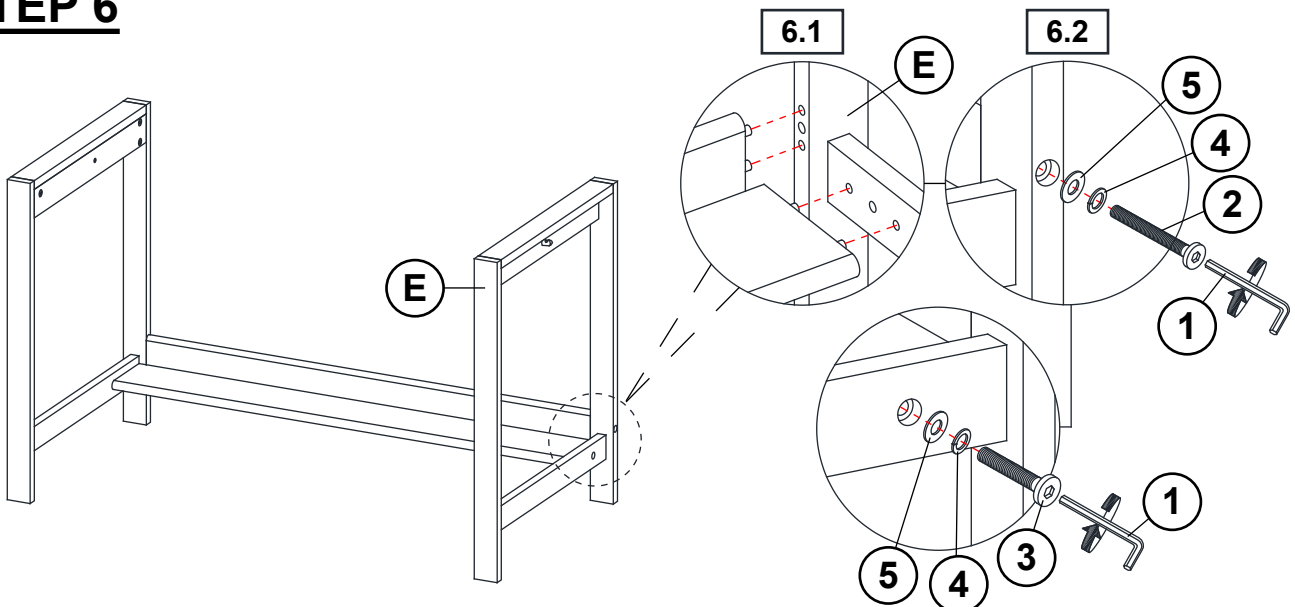
**STEP 4**



**STEP 5**



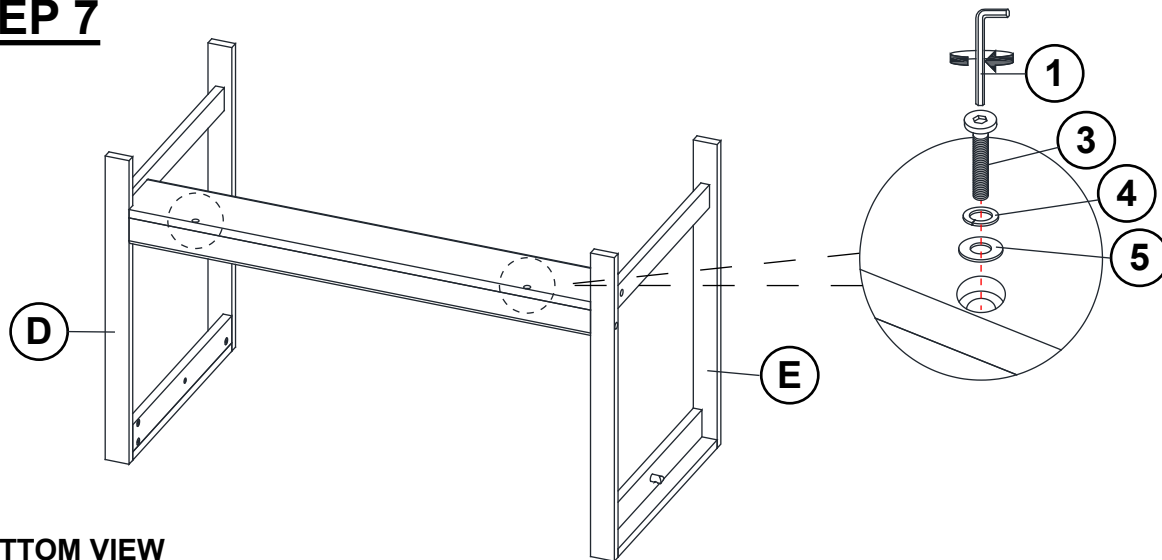
**STEP 6**



ITEM: **801075**

# ASSEMBLY INSTRUCTIONS

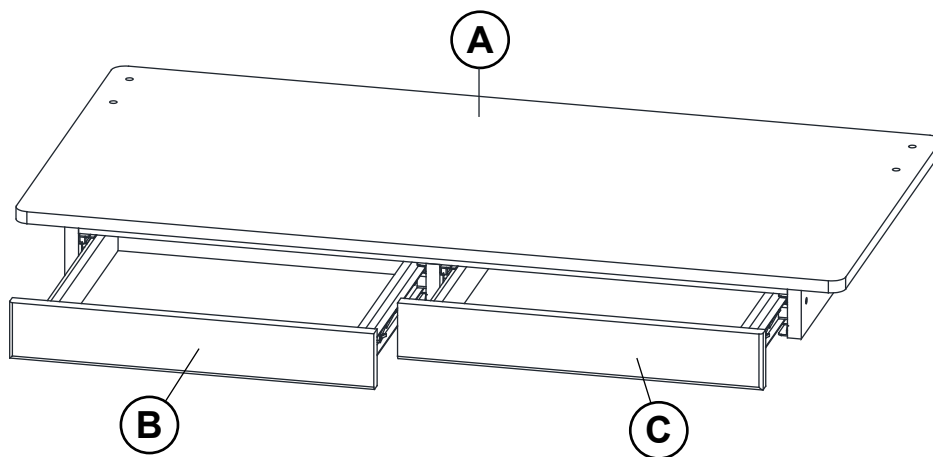
## STEP 7



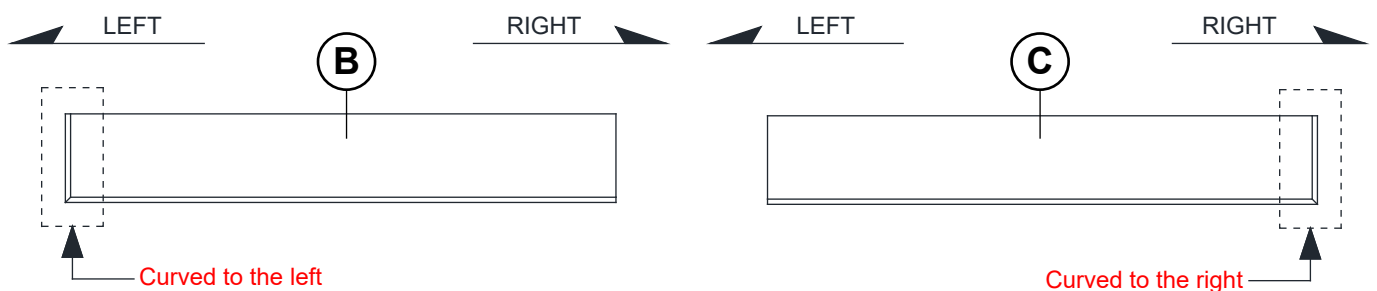
\*BOTTOM VIEW

## STEP 8

Attention! Please pull out the drawer (B) & (C) first to proceed with the following steps.



## STEP 9

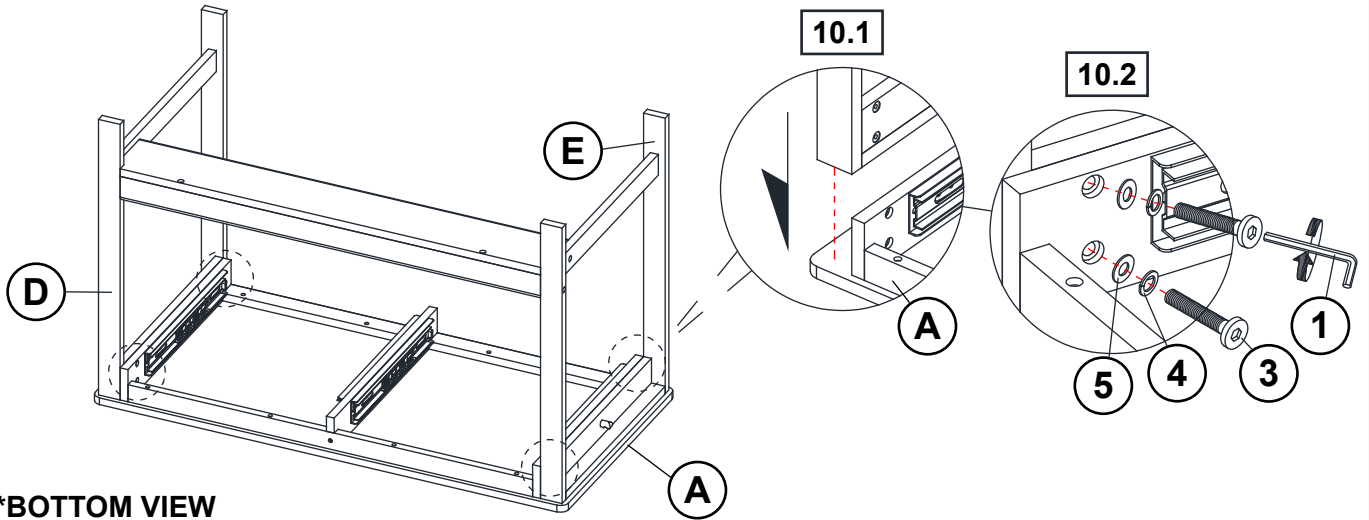


\*DRAWER VIEW

ITEM: **801075**

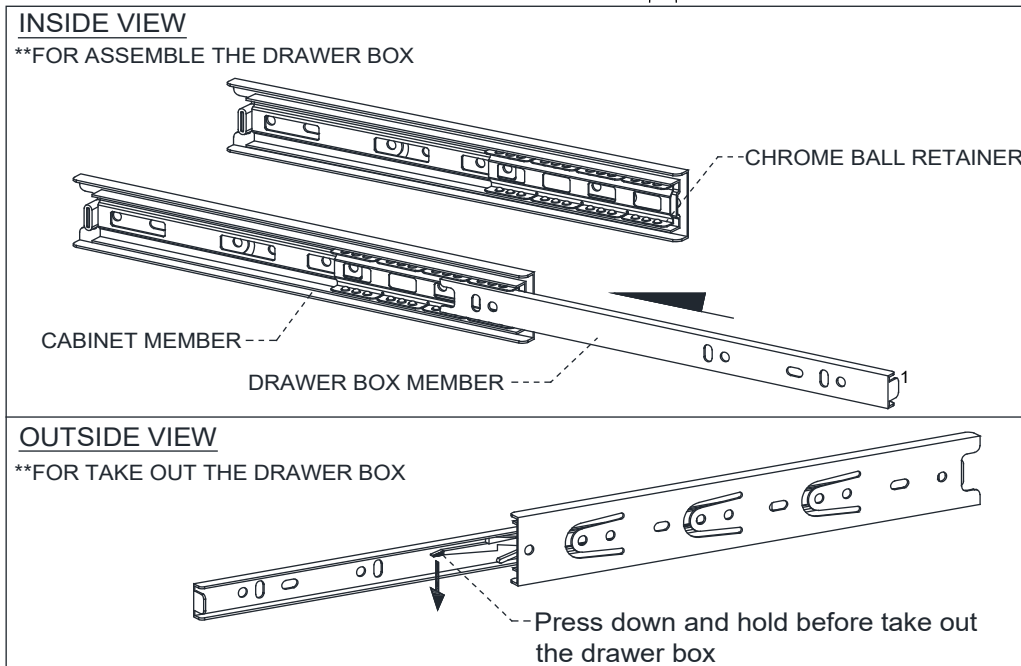
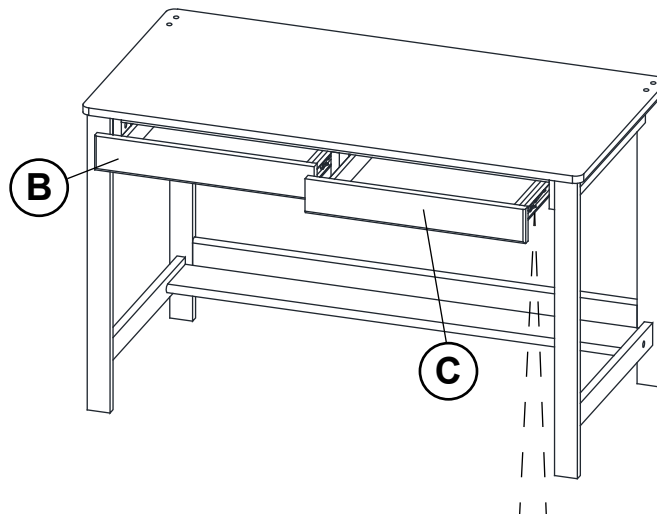
**ASSEMBLY INSTRUCTIONS**

**STEP 10**



\*BOTTOM VIEW

**STEP 11**

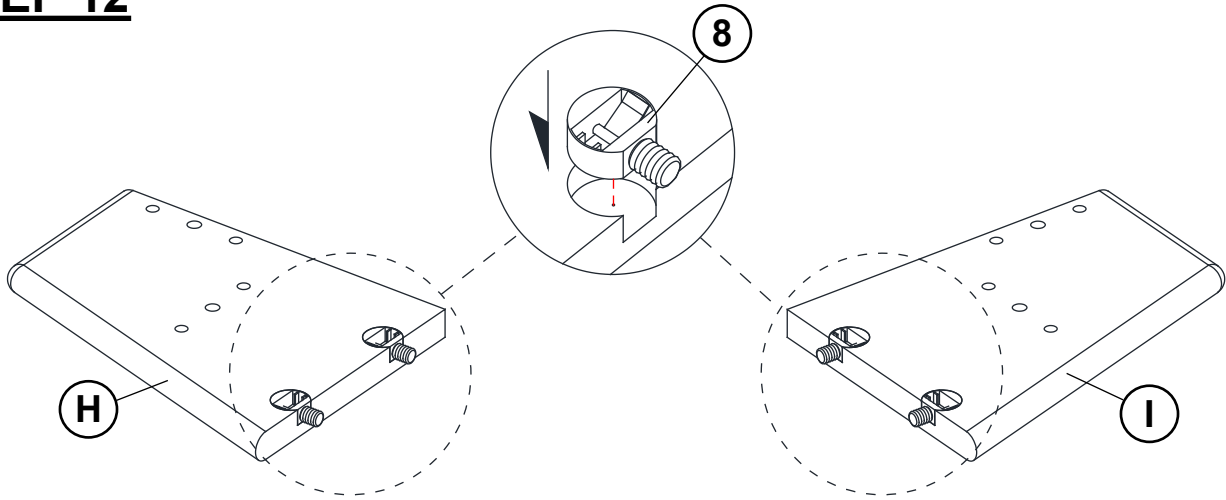


ITEM: **801075**

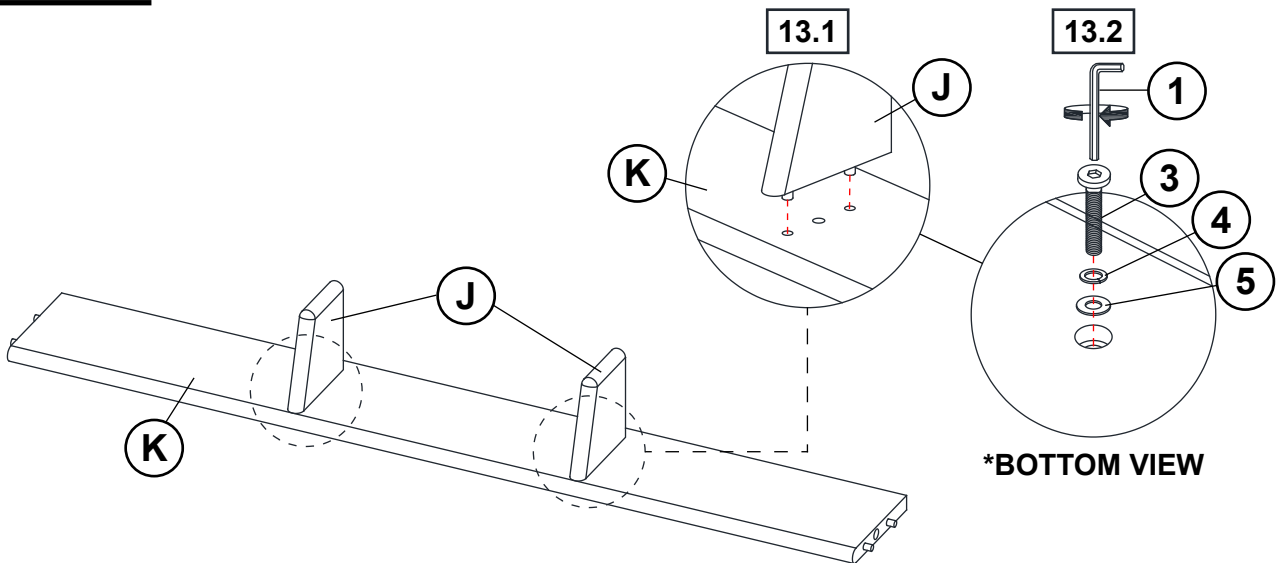
**ASSEMBLY INSTRUCTIONS**



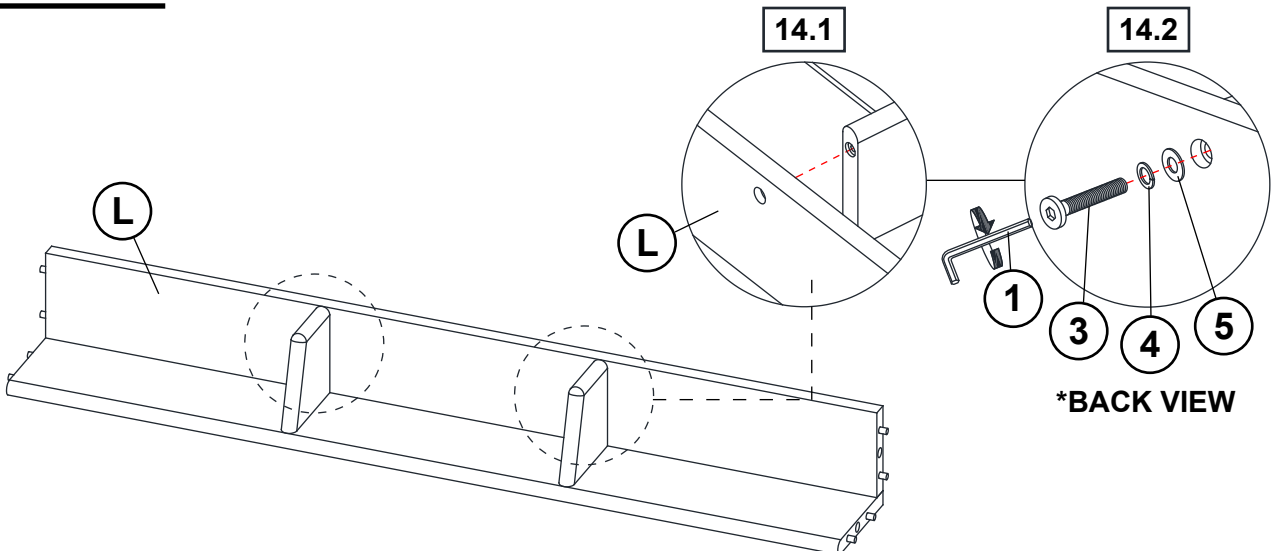
**STEP 12**



**STEP 13**



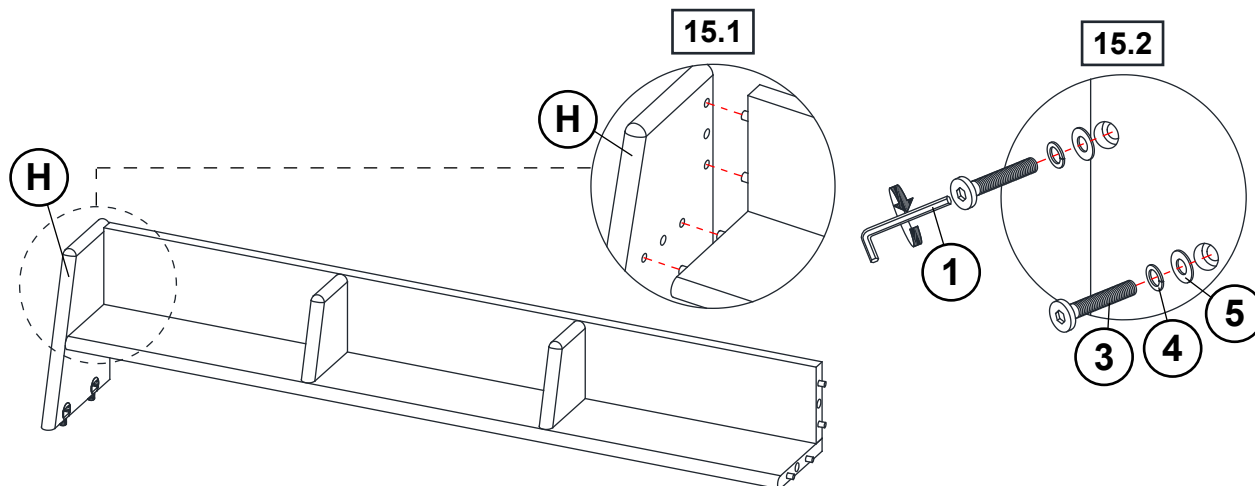
**STEP 14**



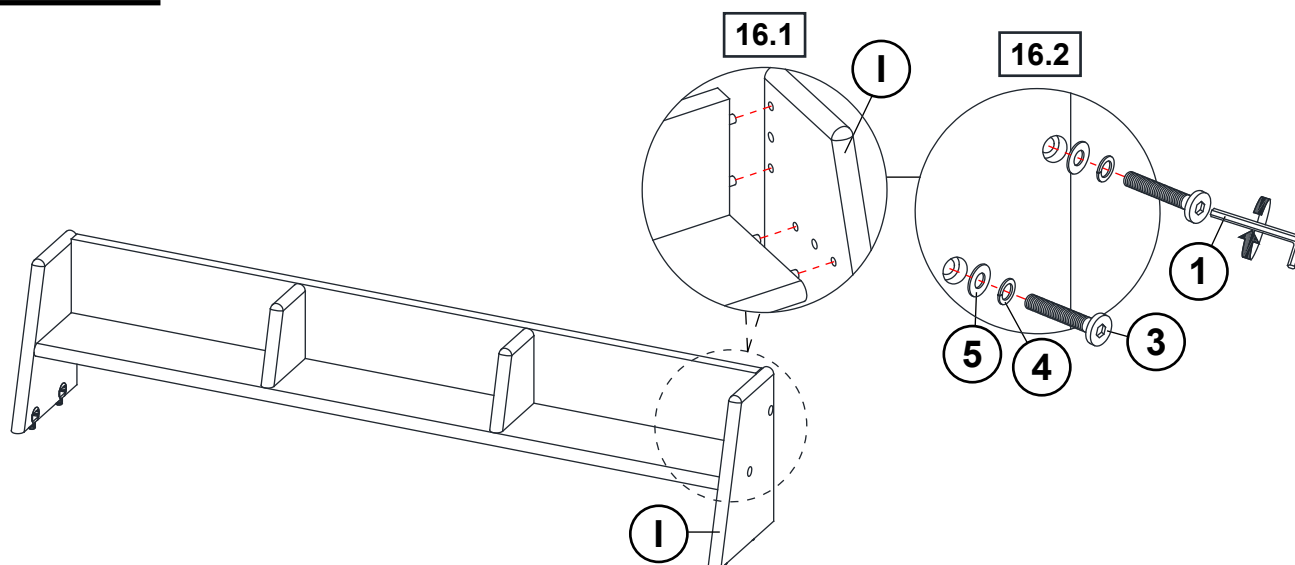
ITEM: **801075**

**ASSEMBLY INSTRUCTIONS**

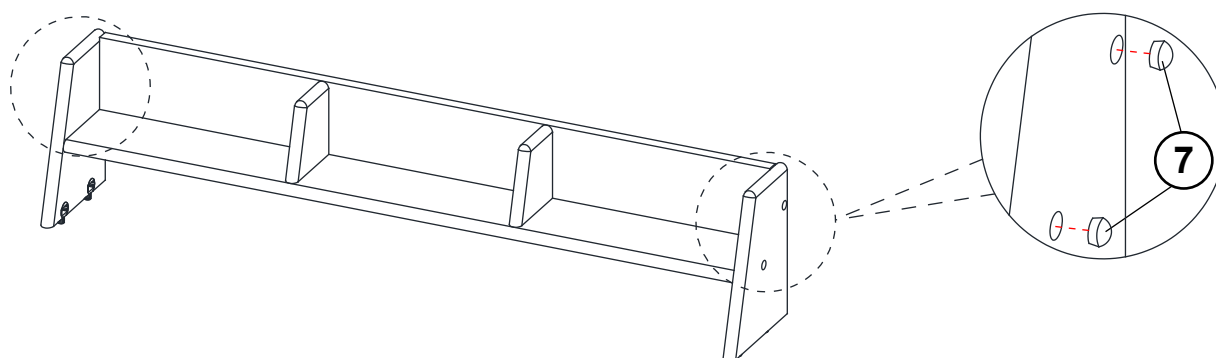
**STEP 15**



**STEP 16**



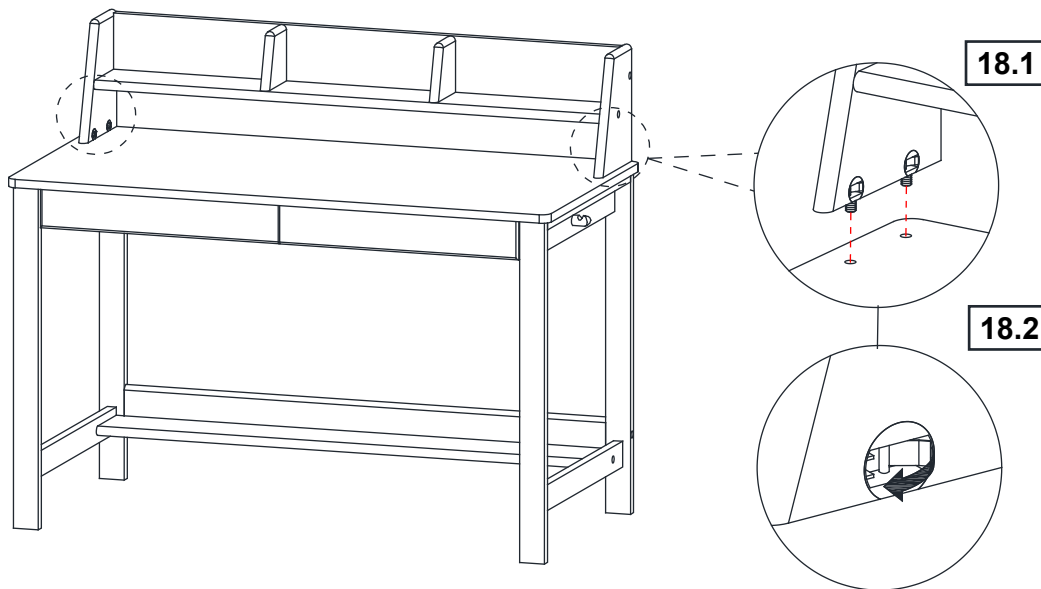
**STEP 17**



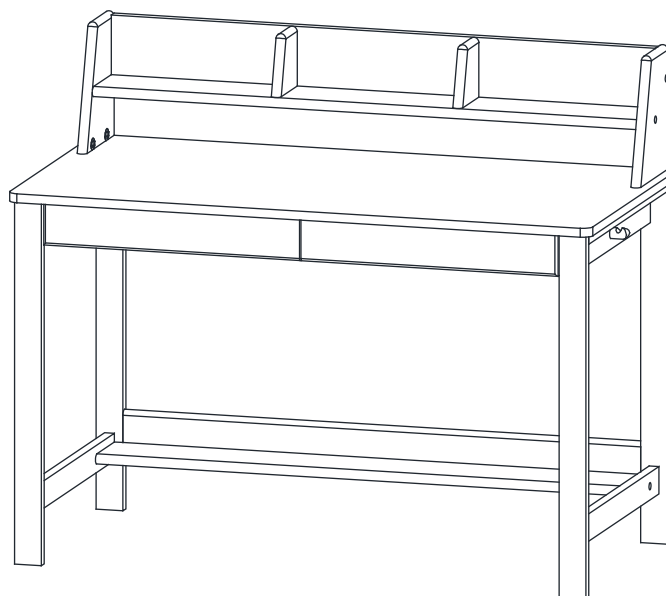
ITEM: **801075**

**ASSEMBLY INSTRUCTIONS**

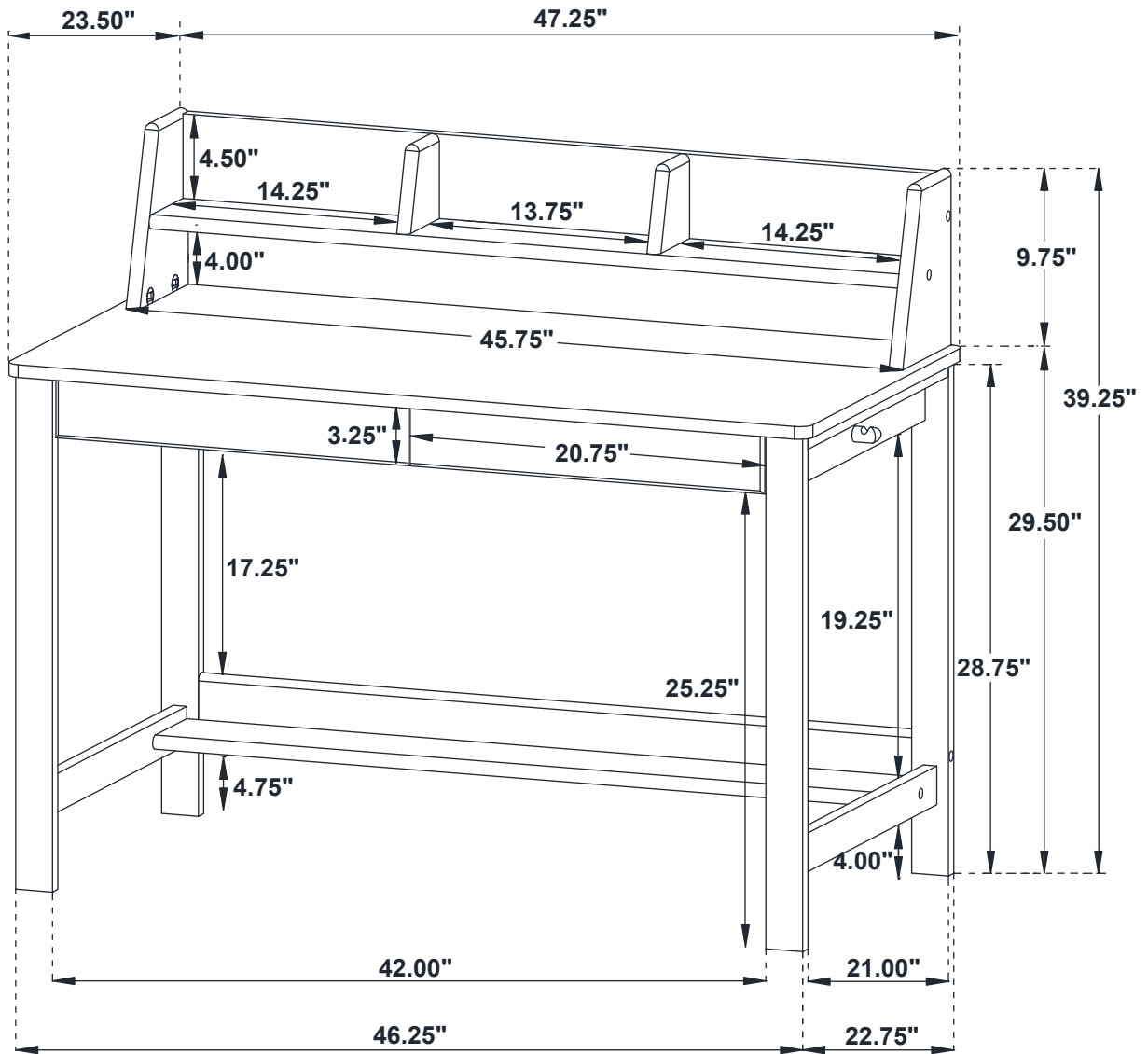
**STEP 18**



**STEP 19**  
**COMPLETE**



ITEM: 801075



Note: Dimension tolerance  $\pm 5\%$