

*ASSEMBLY INSTRUCTIONS
COASTER FINE FURNITURE*



Fine Furniture for every stage of life

801076
Writing Desk

ITEM: 801076

ASSEMBLY INSTRUCTIONS



ASSEMBLY TIPS:

1. Remove hardware from box and sort by size.
2. Please check to see that all hardware and parts are present prior to start of assembly.
3. Please follow attached instructions in the same sequence as numbered to assure fast & easy assembly.



WARNING!

1. Don't attempt to repair or modify parts that are broken or defective. Please contact the store immediately.
2. This product is for home use only and not intended for commercial establishments.



ASSEMBLY TIME

20 MINUTES

PARTS IDENTIFICATION

A	TOP		1PC
B	LEFT DRAWER (PRE-ATTACHED TO TOP)		1PC
C	RIGHT DRAWER (PRE-ATTACHED TO TOP)		1PC
D	LEFT LEG FRAME		1PC
E	RIGHT LEG FRAME		1PC
F	CROSSBAR		1PC
G	LEG SUPPORT		1PC
H	LEFT SHELF PANEL		1PC
I	RIGHT SHELF PANEL		1PC
J	MIDDLE SHELF PANEL		2PCS
K	SHELF BOTTOM PANEL		1PC
L	SHELF BACK PANEL		1PC

ITEM: 801076

ASSEMBLY INSTRUCTIONS



ASSEMBLY TIPS:





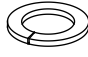




1. Remove hardware from box and sort by size.
2. Please check to see that all hardware and parts are present prior to start of assembly.
3. Please follow attached instructions in the same sequence as numbered to assure fast & easy assembly.



WARNING!

1. Don't attempt to repair or modify parts that are broken or defective. Please contact the store immediately.
2. This product is for home use only and not intended for commercial establishments.

HARDWARE IDENTIFICATION

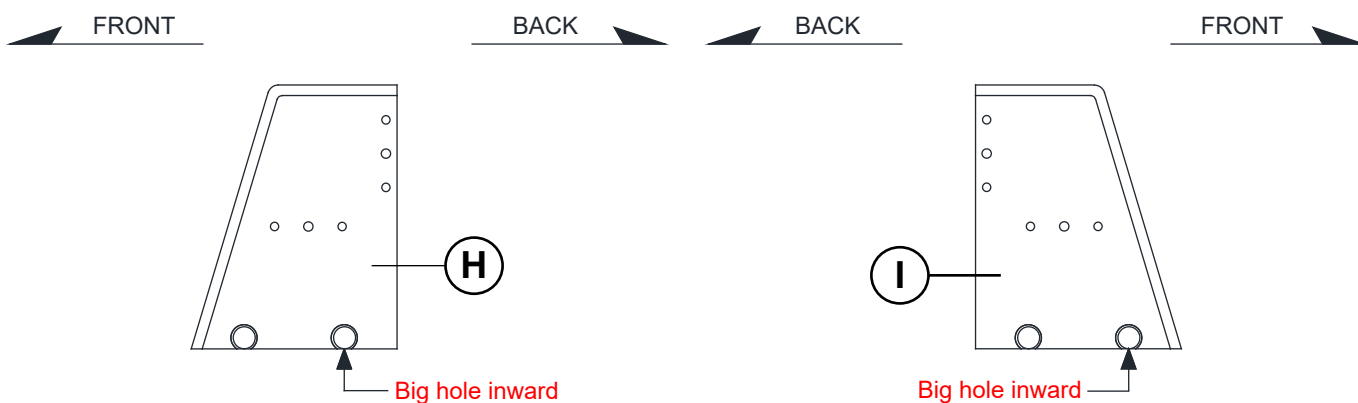
1	ALLEN WRENCH (M4 X 60MM - RBW)		1PC
2	LONG BOLT (M6 X 70MM - RBW)		2PCS
3	MEDIUM BOLT (M6 X 35MM - RBW)		12PCS
4	SHORT BOLT (M6 X 30MM - RBW)		6PCS
5	LOCK WASHER (M6 X 13MM - RBW)		20PCS
6	FLAT WASHER (M6 X 13MM - RBW)		20PCS
7	WOOD DOWEL (M8 X 30MM)		20PCS
8	WOOD BUTTON (M8 X 14.5MM)		4PCS
9	CAM BOLT (L33 X W25 X 10MM-BLK)		4PCS

ITEM: **801076**

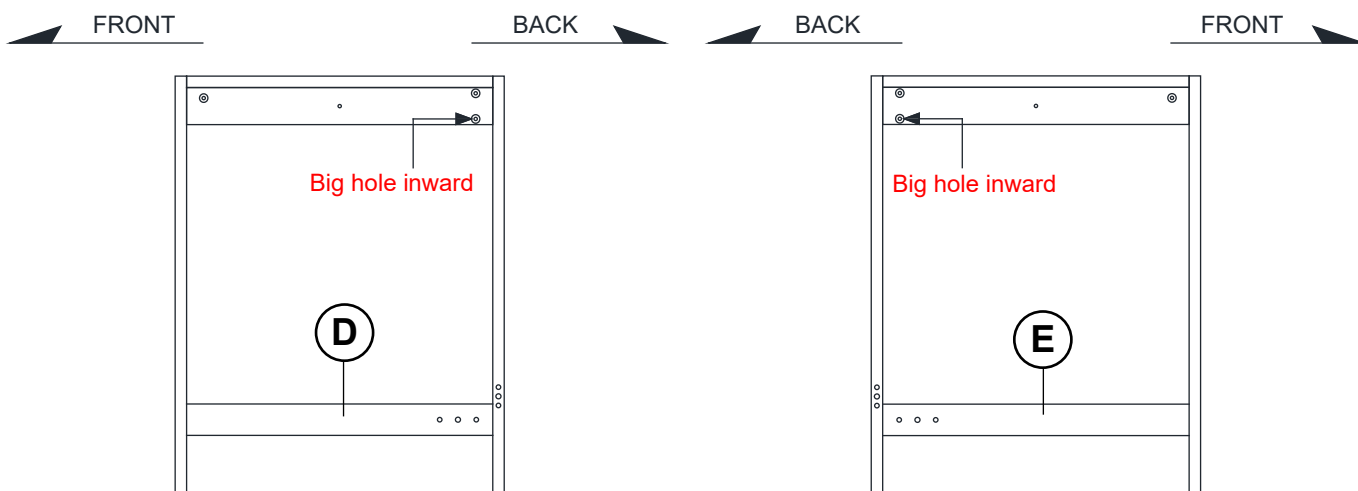
ASSEMBLY INSTRUCTIONS



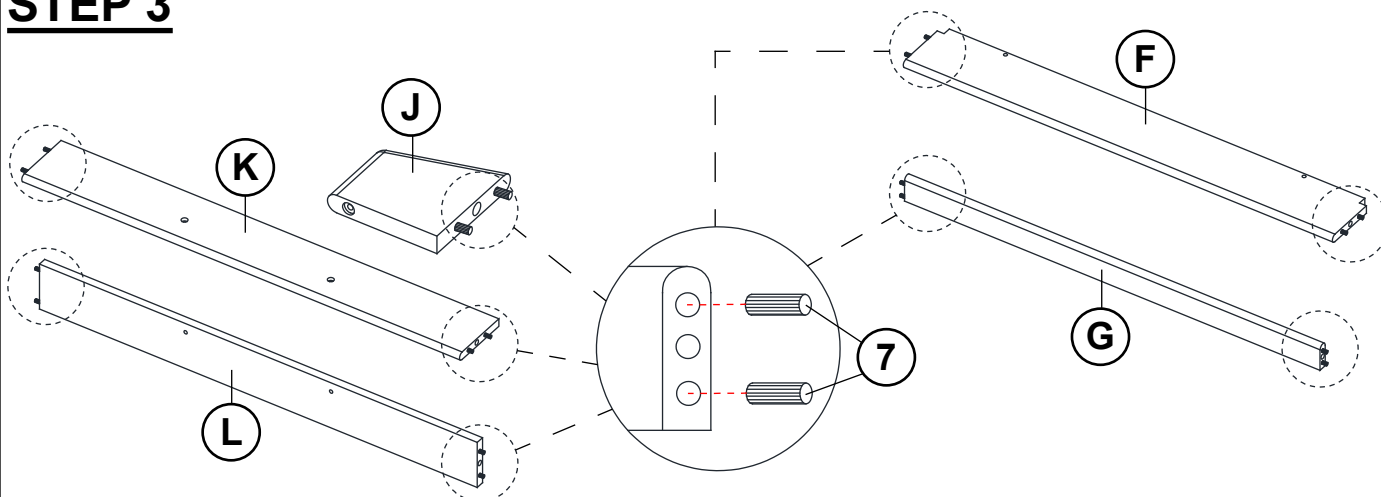
STEP 1



STEP 2



STEP 3

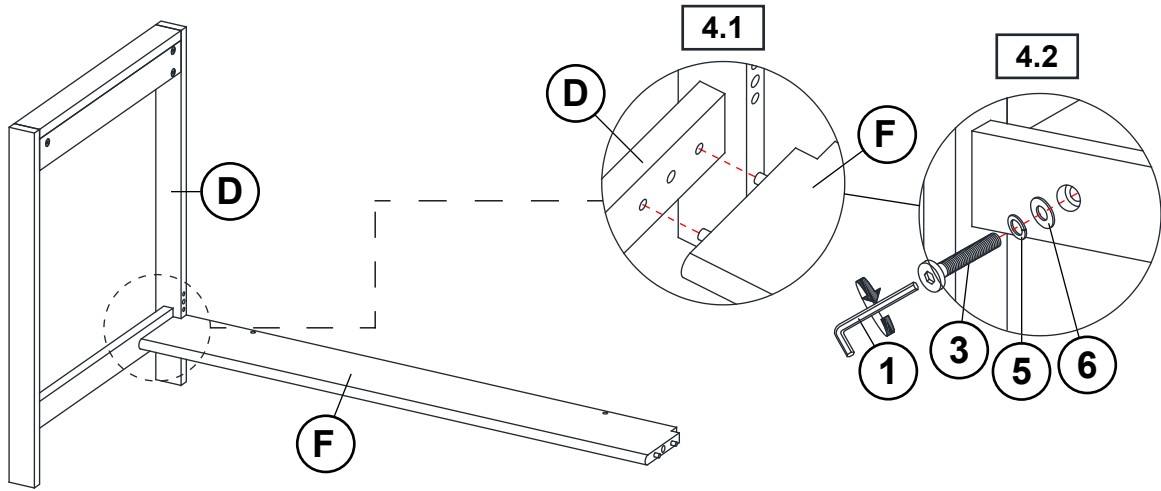


ITEM: **801076**

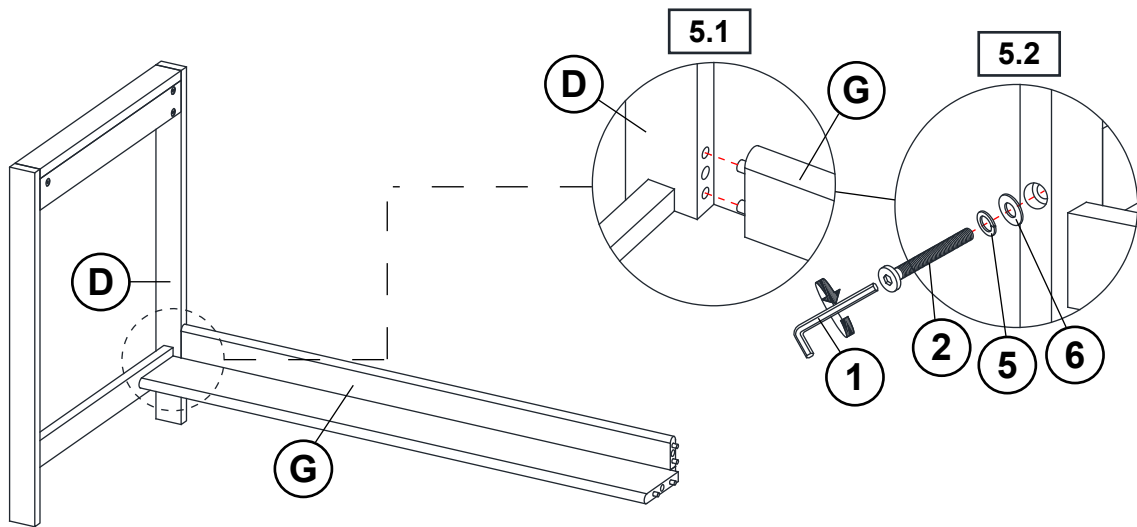
ASSEMBLY INSTRUCTIONS



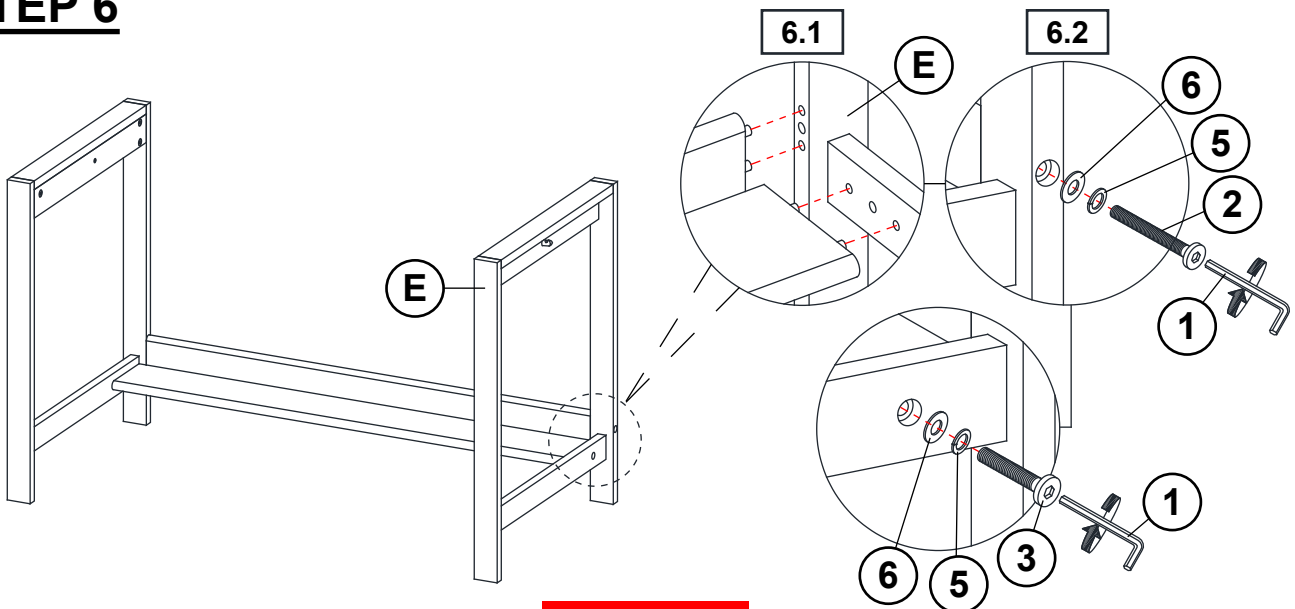
STEP 4



STEP 5



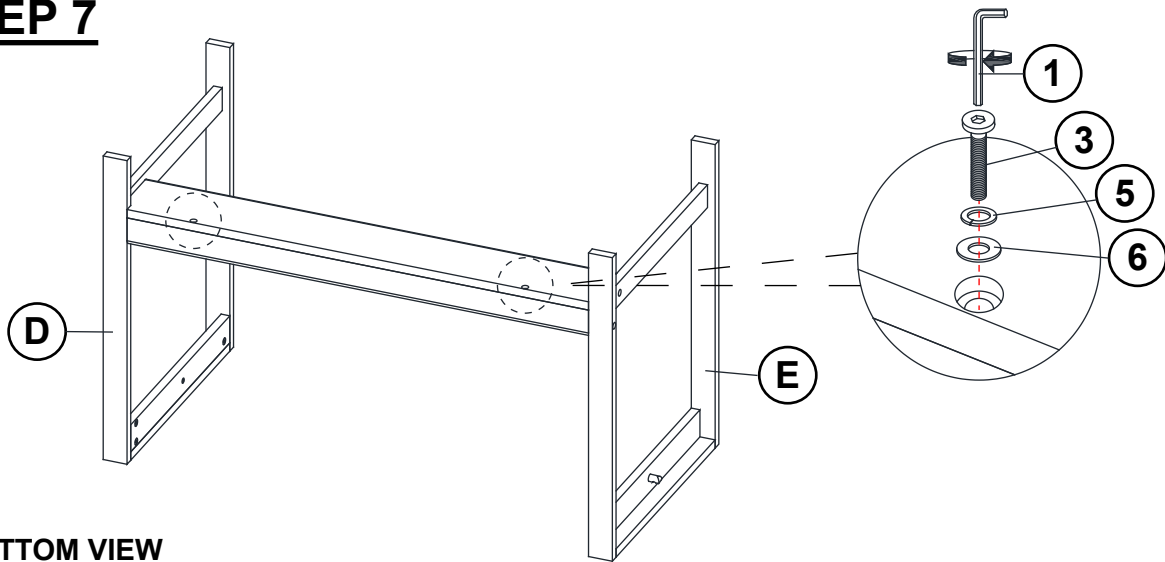
STEP 6



ITEM: **801076**

ASSEMBLY INSTRUCTIONS

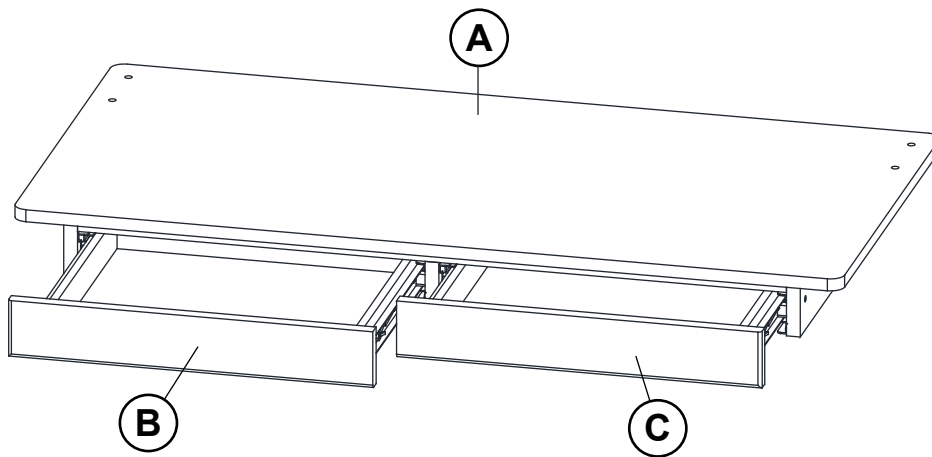
STEP 7



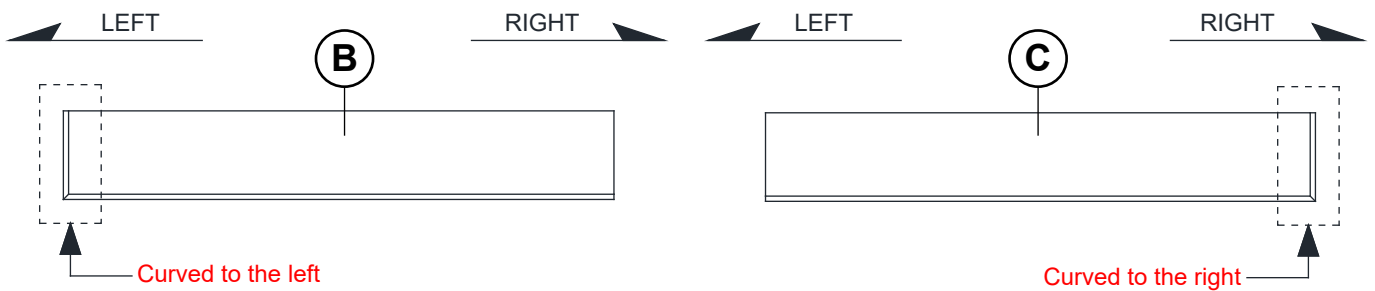
*BOTTOM VIEW

STEP 8

Attention! Please pull out the drawer (B) & (C) first to proceed with the following steps.



STEP 9

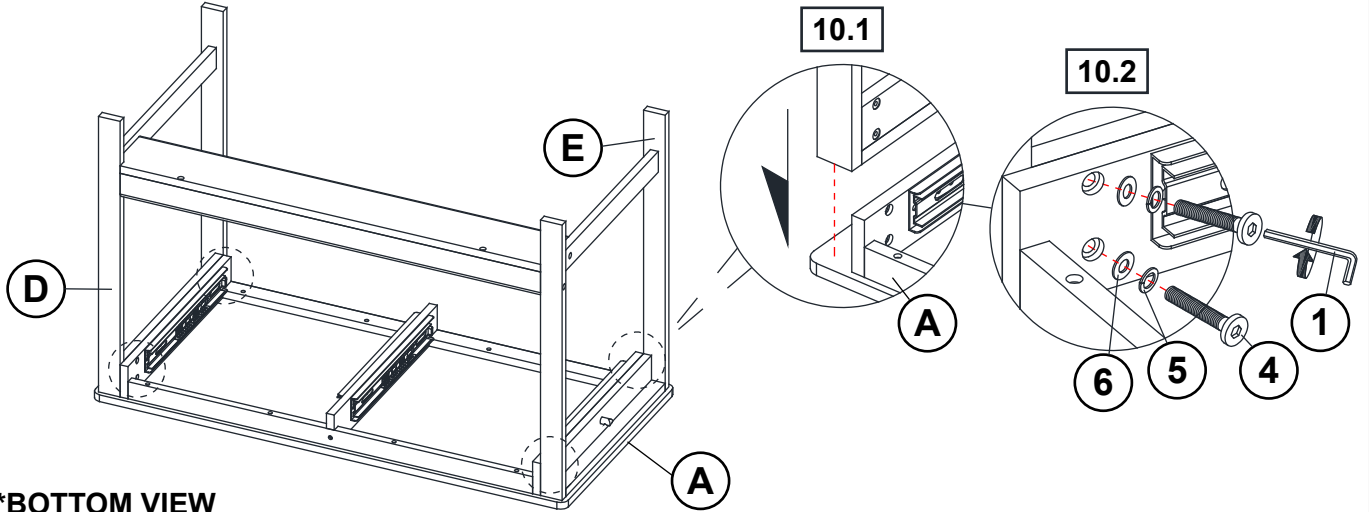


*DRAWER VIEW

ITEM: **801076**

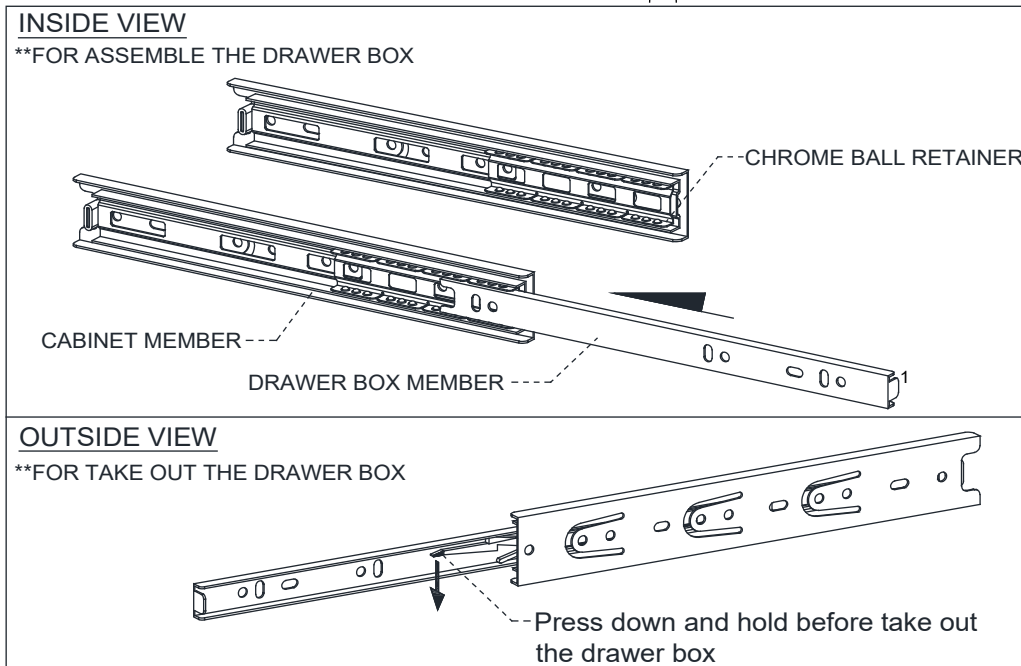
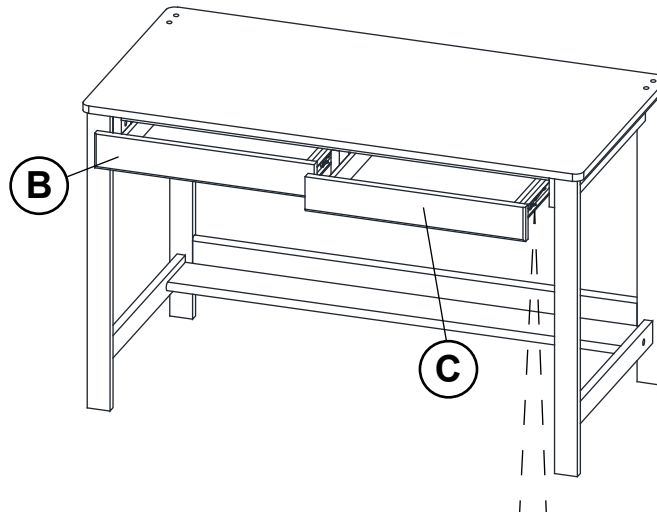
ASSEMBLY INSTRUCTIONS

STEP 10



*BOTTOM VIEW

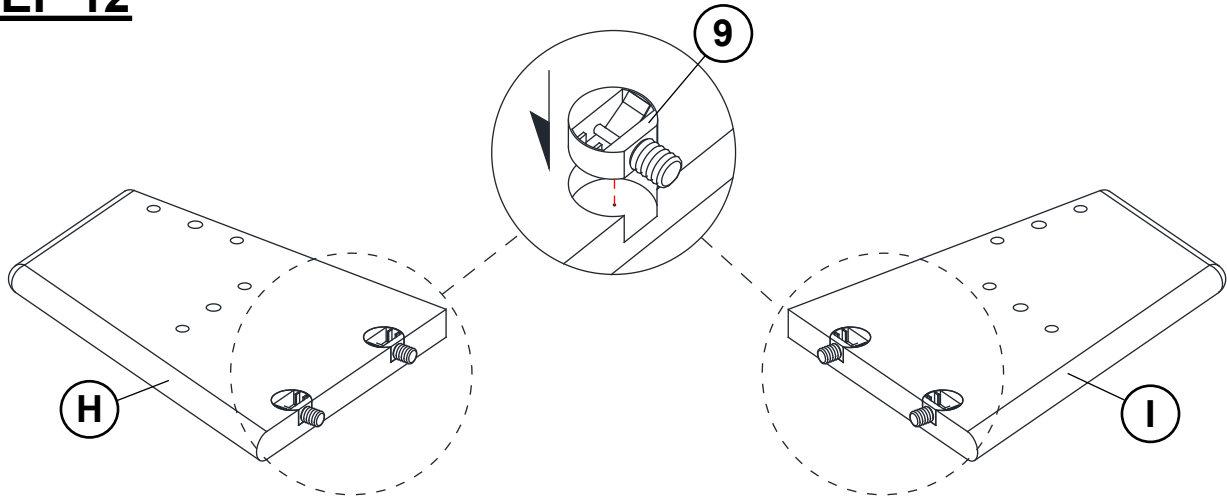
STEP 11



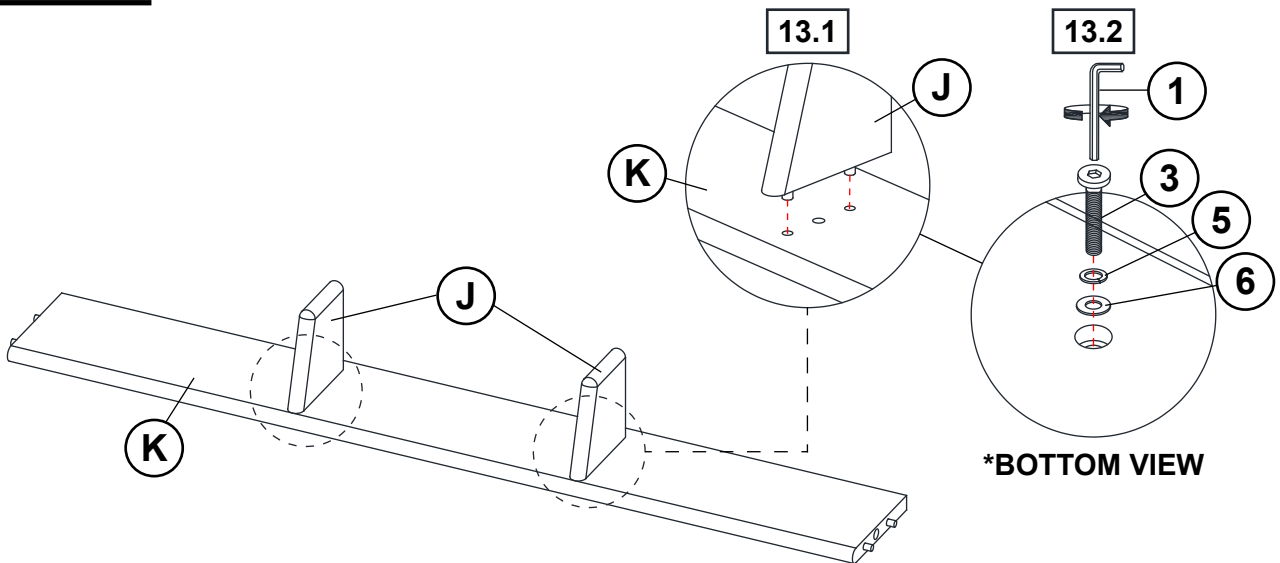
ITEM: **801076**

ASSEMBLY INSTRUCTIONS

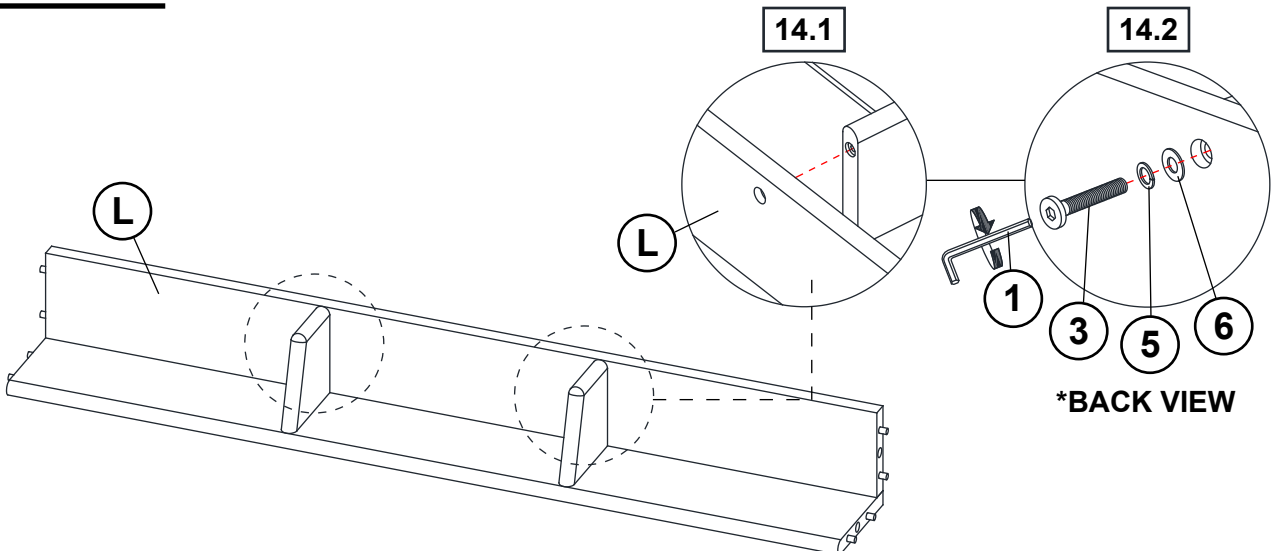
STEP 12



STEP 13



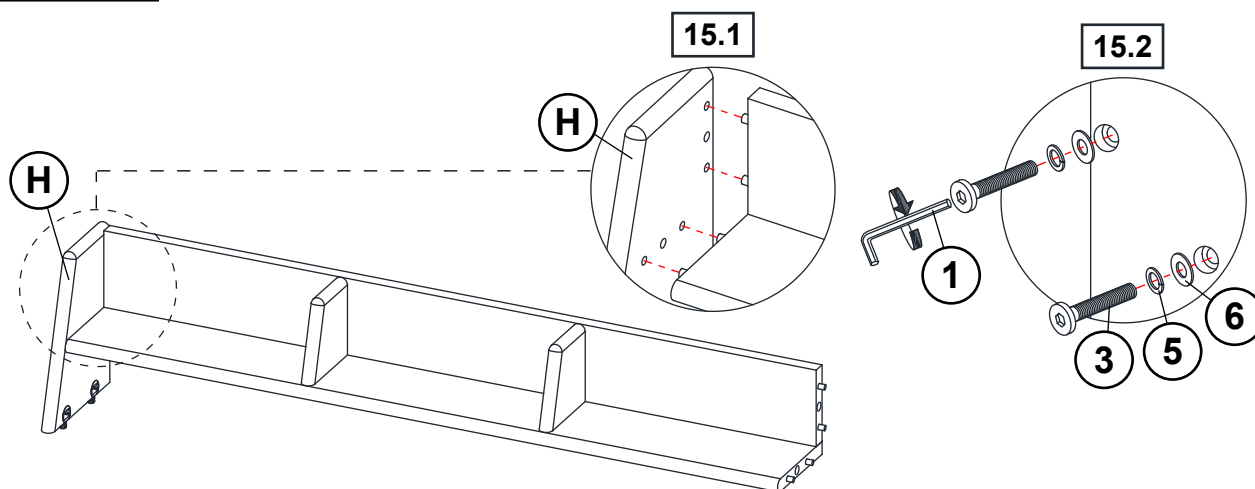
STEP 14



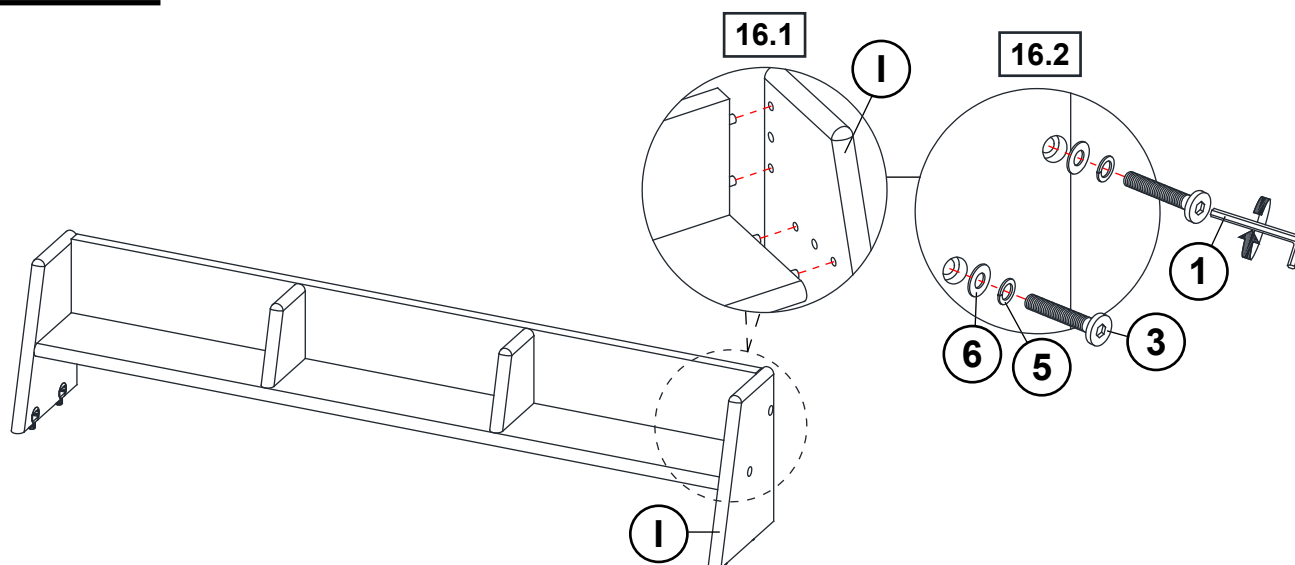
ITEM: **801076**

ASSEMBLY INSTRUCTIONS

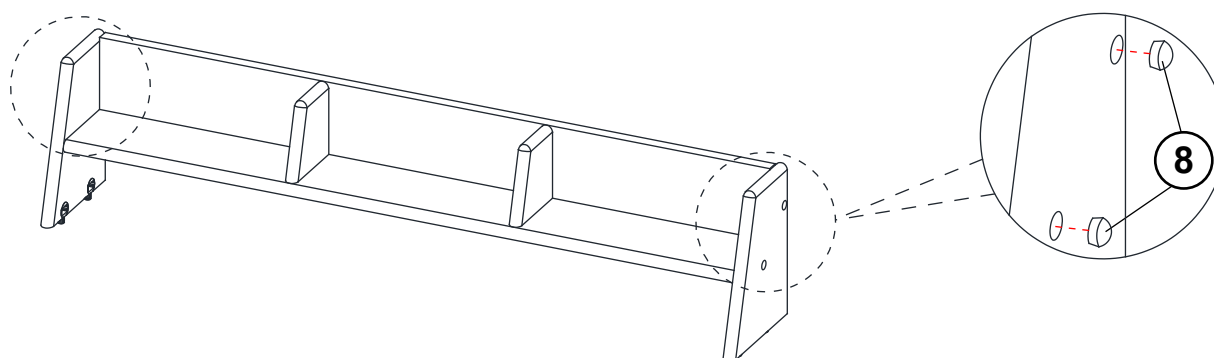
STEP 15



STEP 16



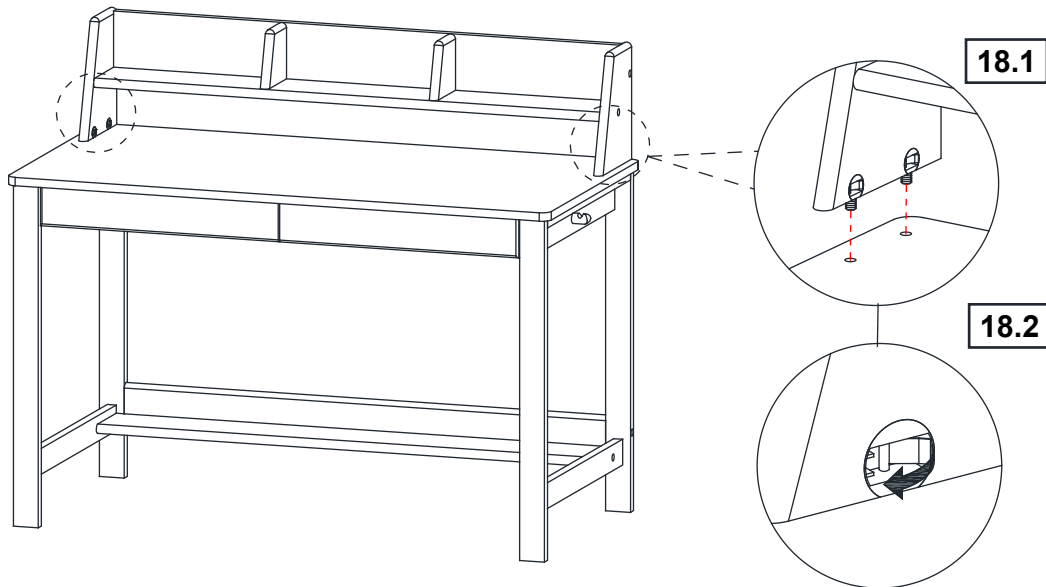
STEP 17



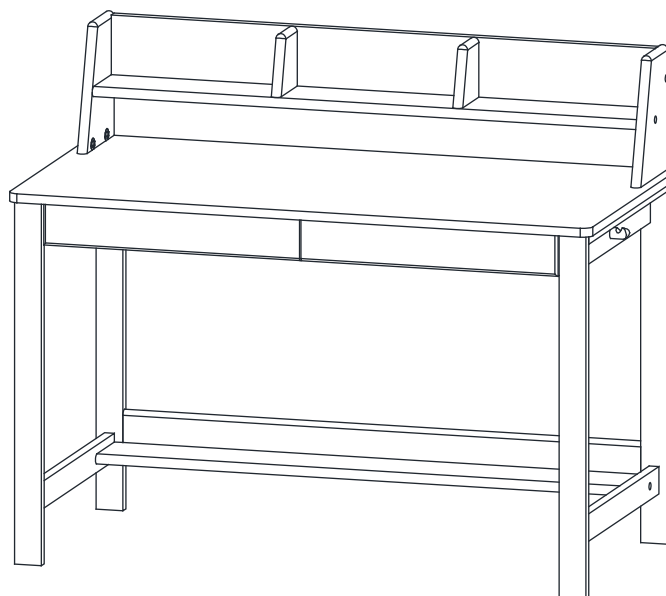
ITEM: **801076**

ASSEMBLY INSTRUCTIONS

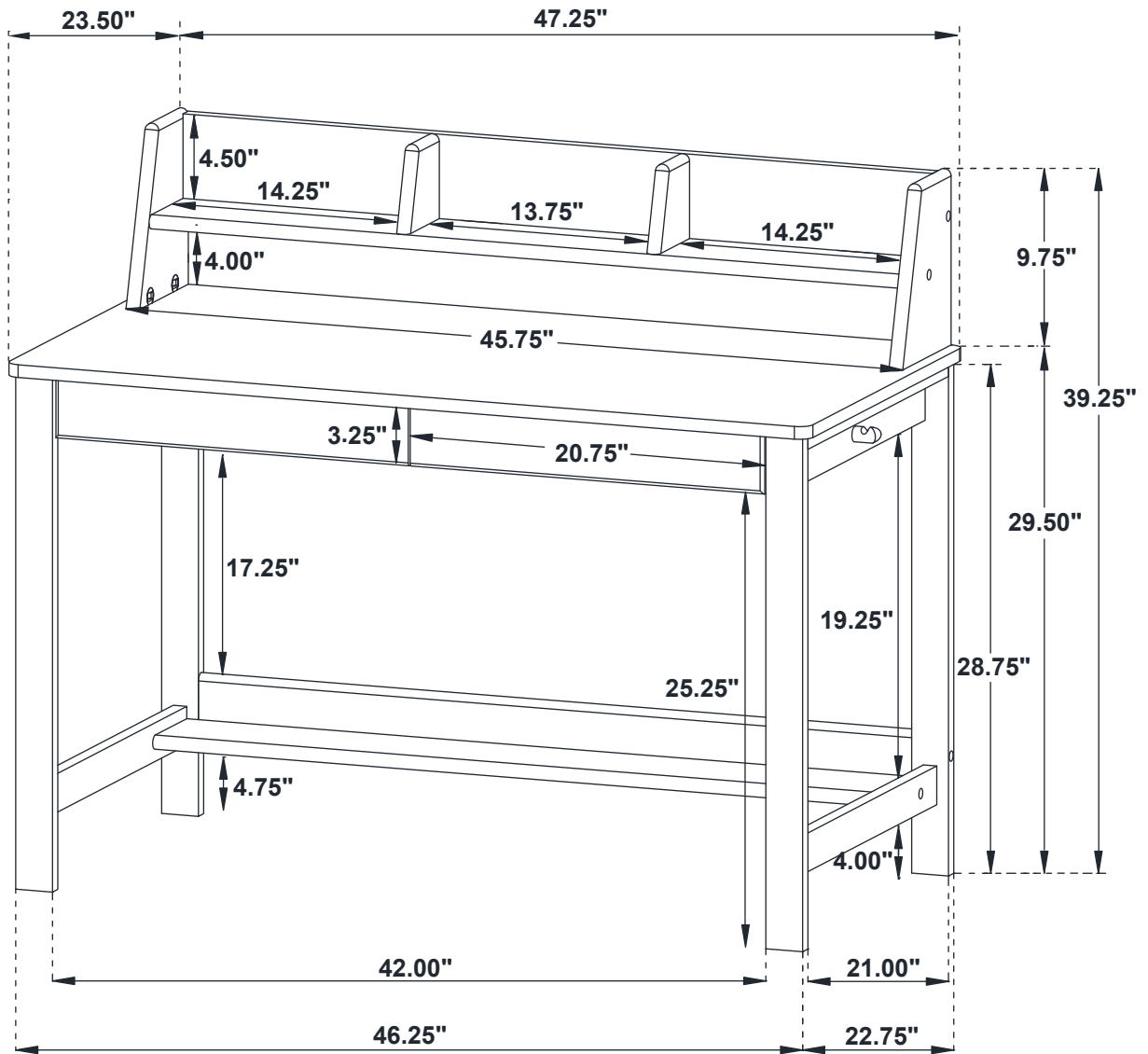
STEP 18



STEP 19
COMPLETE



ITEM: 801076



Note: Dimension tolerance $\pm 5\%$