

ASSEMBLY INSTRUCTIONS COASTER FINE FURNITURE



Fine Furniture for every stage of life

802043 (B1&B2)
Bookshelves

ITEM: 802043 (B1&B2)



ASSEMBLY INSTRUCTIONS

ASSEMBLY TIPS:

1. Remove hardware from box and sort by size.
2. Please check to see that all hardware and parts are present prior to start of assembly.
3. Please follow attached instructions in the same sequence as numbered to assure fast & easy assembly.



WARNING!

1. Don't attempt to repair or modify parts that are broken or defective. Please contact the store immediately.
2. This product is for home use only and not intended for commercial establishments.



ASSEMBLY TIME

30 MINUTES

PARTS IDENTIFICATION

B1 (BOX 1)

A LEFT SIDE FRAME

2PCS

B RIGHT SIDE FRAME

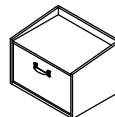
2PCS



B2 (BOX 2)

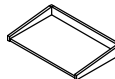
C DRAWER UNIT

2PCS



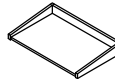
D TOP SHELF

2PCS



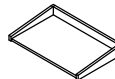
E MIDDLE SHELF

2PCS



F BOTTOM SHELF

2PCS



G CROSSBAR

2PCS



H FLAT SUPPORT BAR

2PCS



ITEM: 802043 (B1&B2)



ASSEMBLY INSTRUCTIONS

ASSEMBLY TIPS:

1. Remove hardware from box and sort by size.
2. Please check to see that all hardware and parts are present prior to start of assembly.
3. Please follow attached instructions in the same sequence as numbered to assure fast & easy assembly.


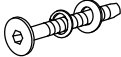




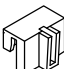


WARNING!

1. Don't attempt to repair or modify parts that are broken or defective. Please contact the store immediately.
2. This product is for home use only and not intended for commercial establishments.

HARDWARE IDENTIFICATION

Z-B1 (BOX 1) - HARDWARE PACK IS LOCATED IN 802043 (B1)

1	ALLEN WRENCH (M4 x 110mm - BLK)		1PC
2	BOLT WITH WASHER (M6 x 60mm - BLK)		4PCS
3	PLASTIC U WASHER (6.5 x 15 x 5.8mm - BLK)		4PCS
4	WOOD DOWEL (M8 x 30mm)		8PCS
5	FLAT HEAD SCREW (M3.5 x 16mm - BLK)		72PCS
6	L BRACKET (C35 - BLK)		36PCS
7	CLIP		4PCS

NOTE:

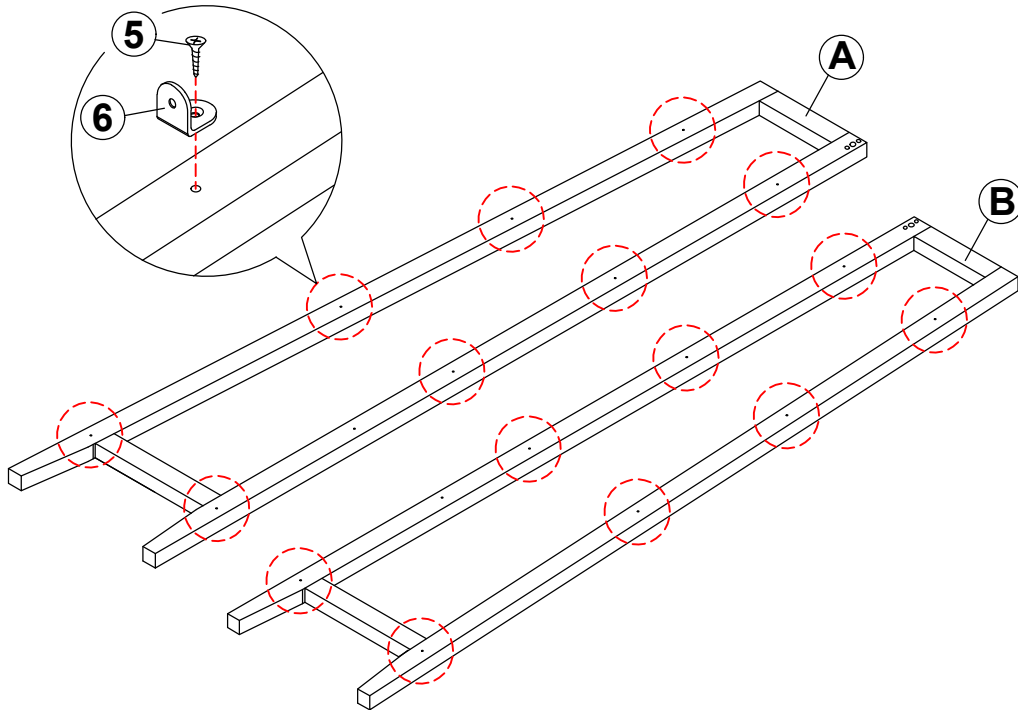
Phillips head screw driver is required in the assembly process; however, manufacturer does not provide this item.

ITEM: **802043 (B1&B2)**

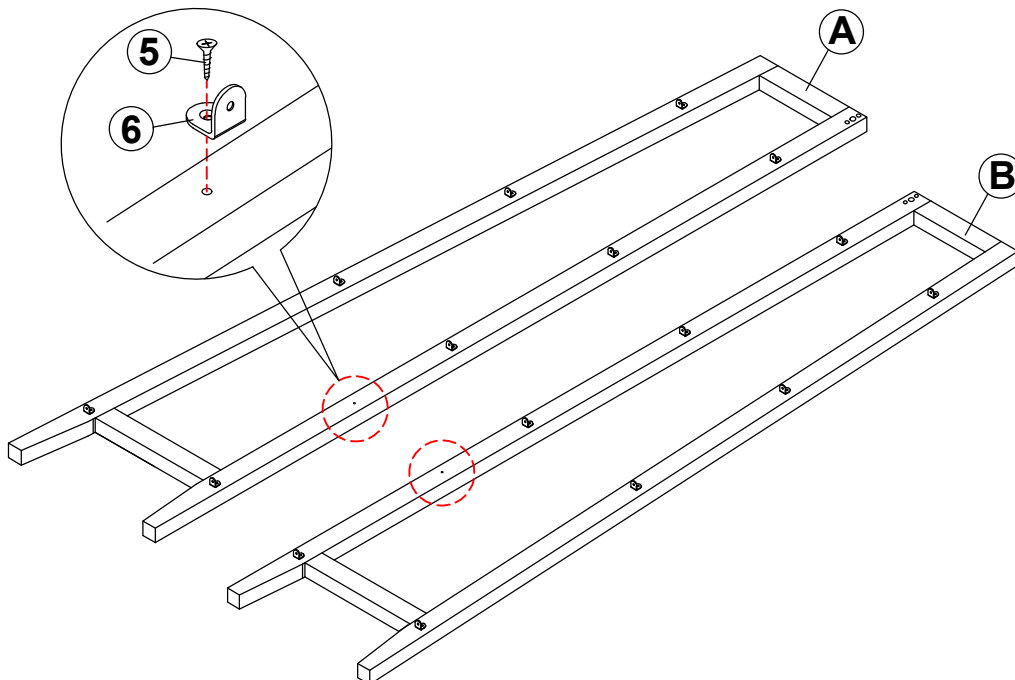


ASSEMBLY INSTRUCTIONS

STEP 1



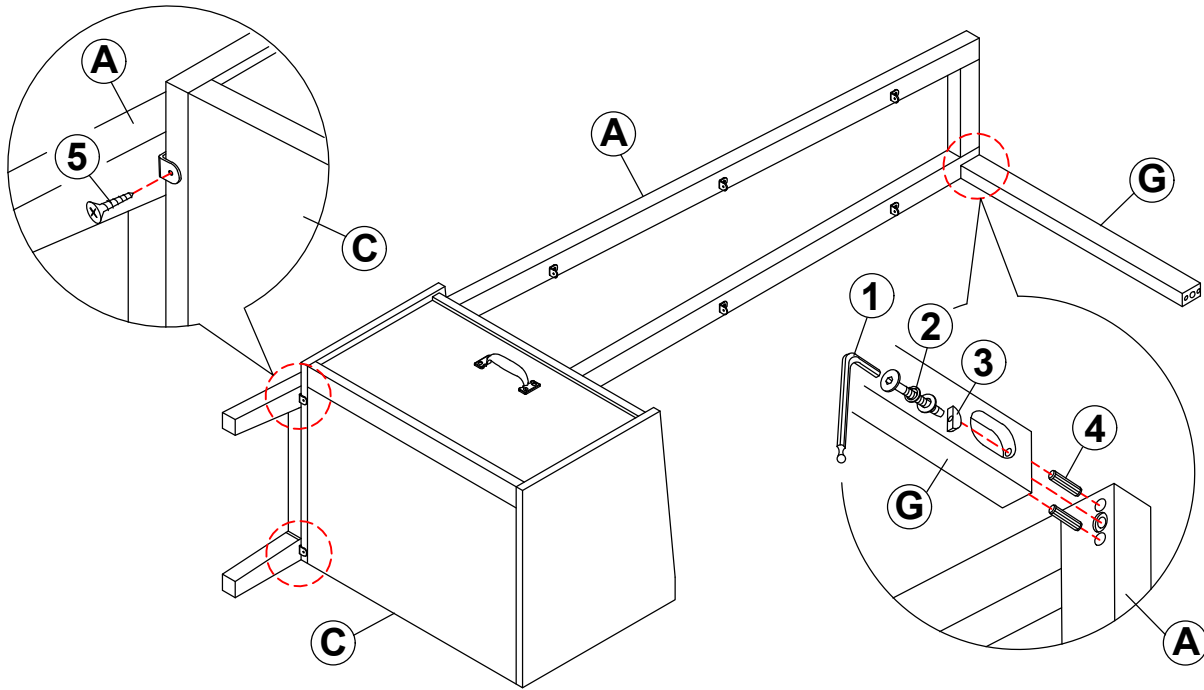
STEP 2



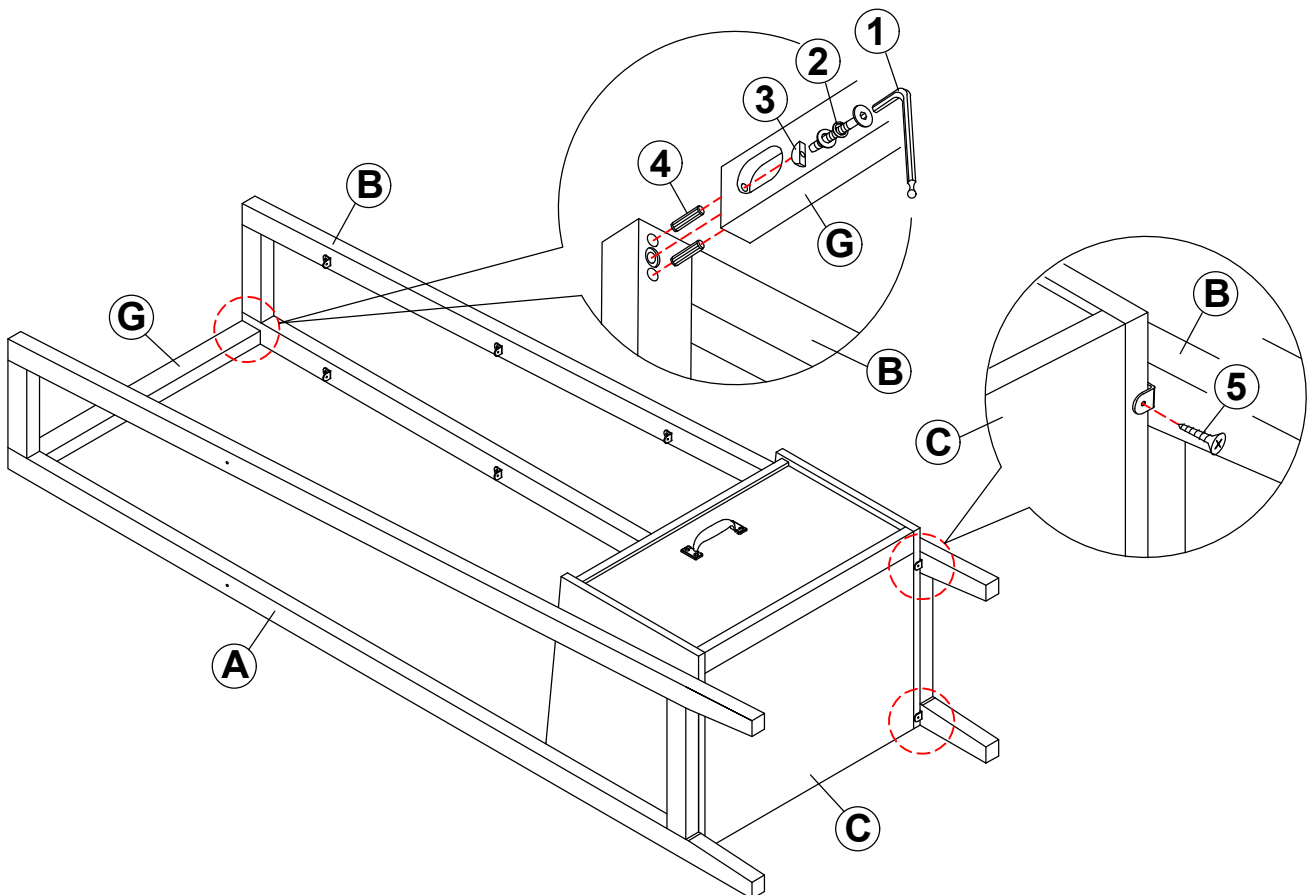
ITEM: **802043 (B1&B2)**



ASSEMBLY INSTRUCTIONS
STEP 3



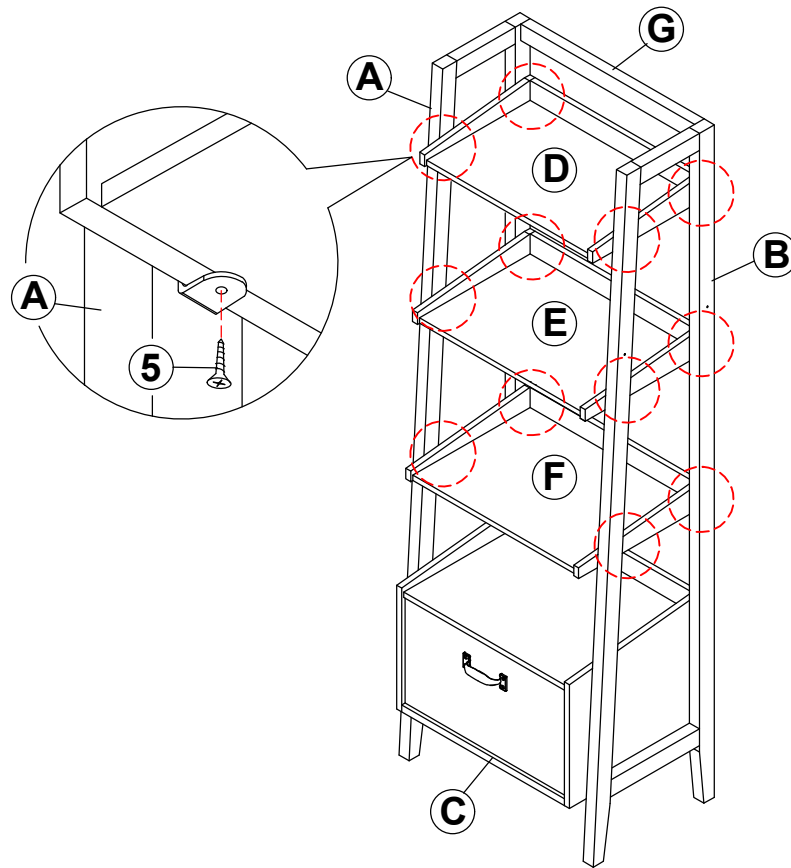
STEP 4



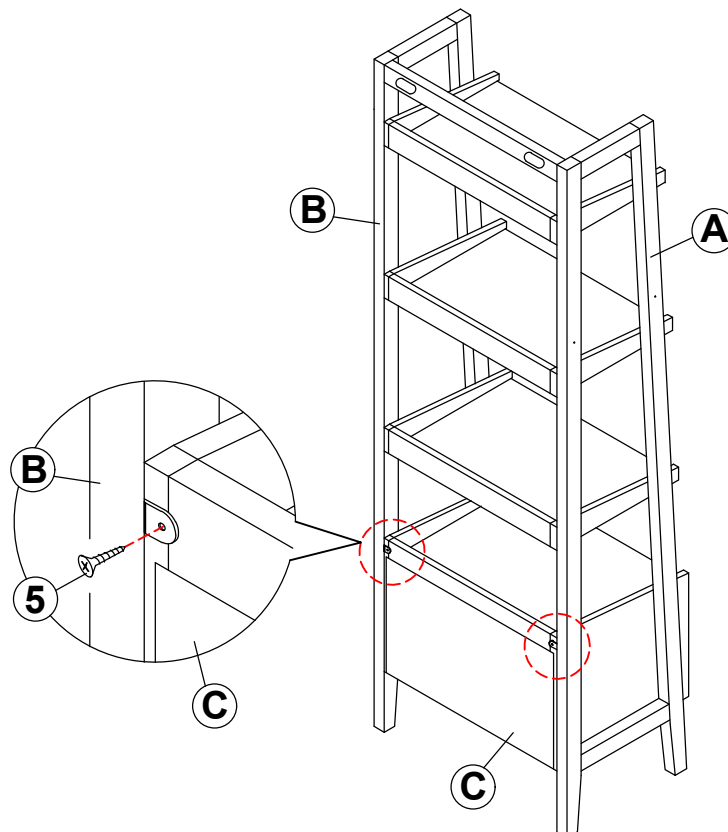
ITEM: **802043 (B1&B2)**

ASSEMBLY INSTRUCTIONS

STEP 5



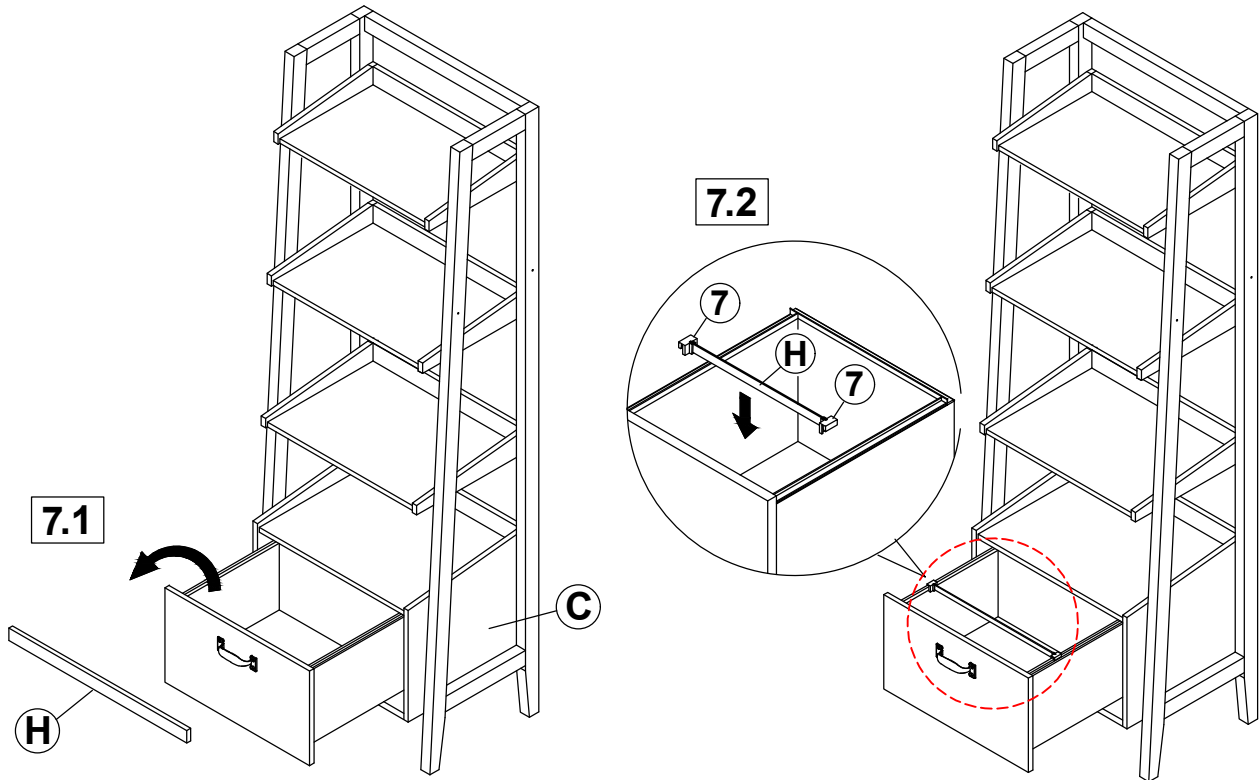
STEP 6



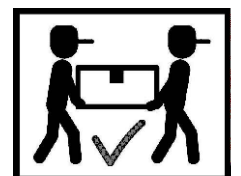
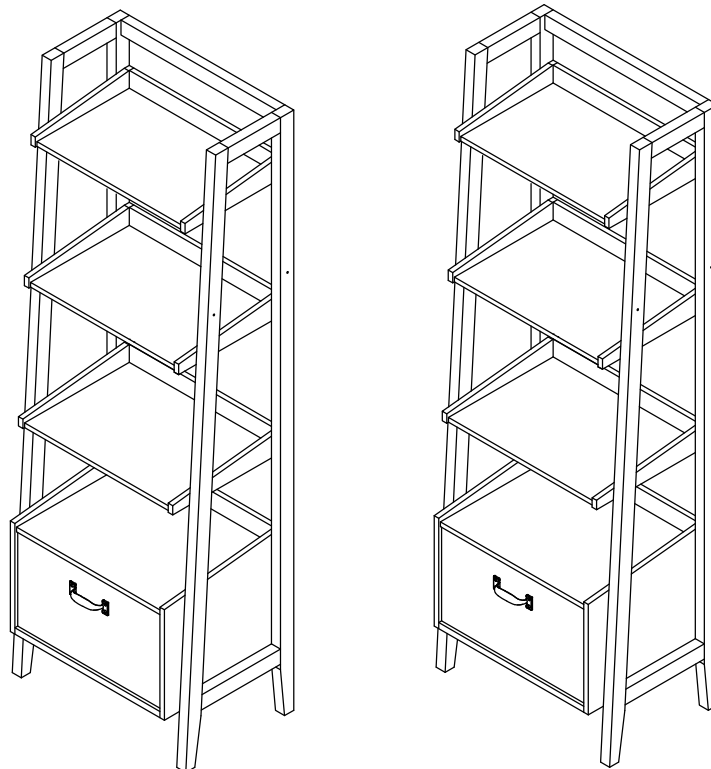
ITEM: **802043 (B1&B2)**



ASSEMBLY INSTRUCTIONS
STEP 7



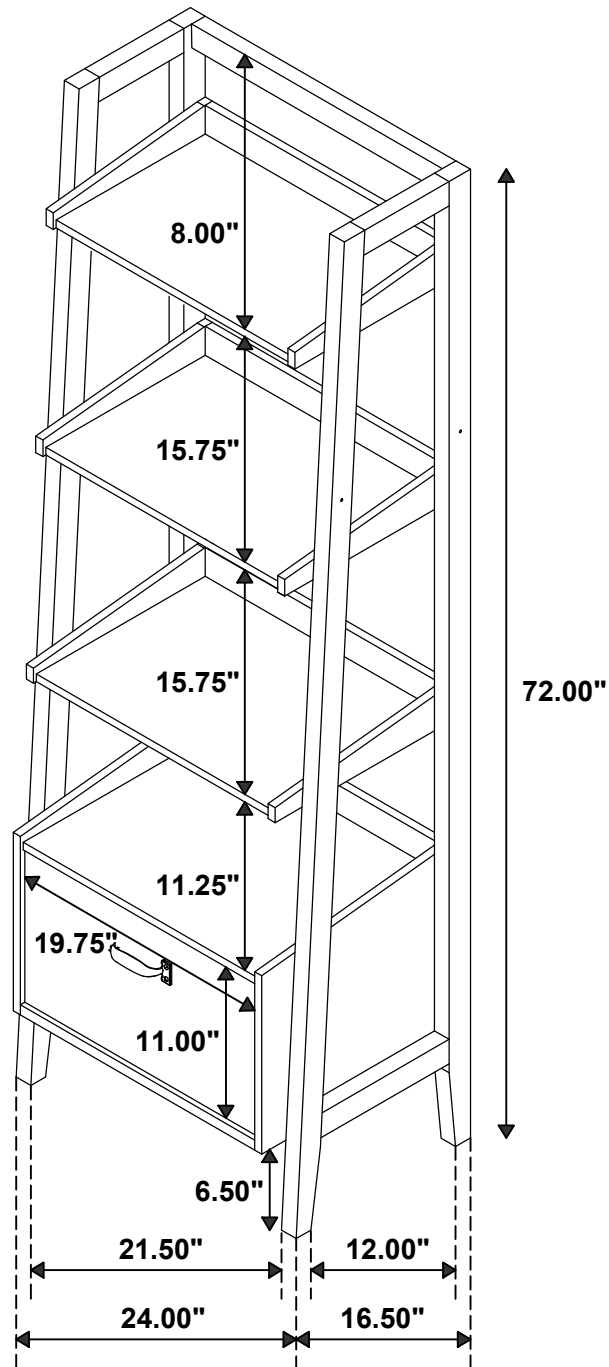
STEP 8
COMPLETE



ITEM: 802043 (B1&B2)



Inner Size of Drawer : 18.00"W x 14.00"D x 8.50"H x 0.50"T



Note : Dimension tolerance $\pm 5\%$