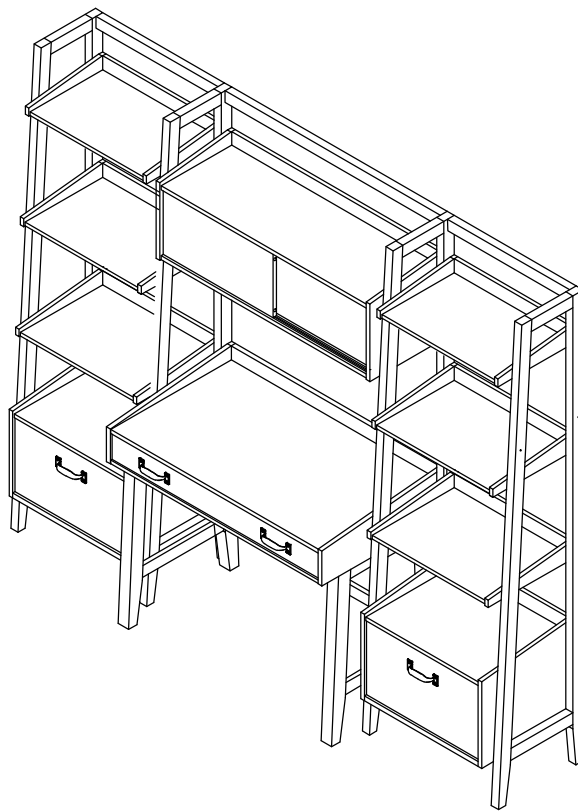


# ASSEMBLY INSTRUCTIONS COASTER FINE FURNITURE



*Fine Furniture for every stage of life*

## 802044 ***Center Bridge With Storage Cabinets***

ITEM: **802044**



## ASSEMBLY INSTRUCTIONS

### ASSEMBLY TIPS:

1. Remove hardware from box and sort by size.
2. Please check to see that all hardware and parts are present prior to start of assembly.
3. Please follow attached instructions in the same sequence as numbered to assure fast & easy assembly.



### WARNING!

1. Don't attempt to repair or modify parts that are broken or defective. Please contact the store immediately.
2. This product is for home use only and not intended for commercial establishments.

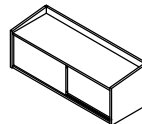


ASSEMBLY TIME

30 MINUTES

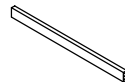
## PARTS IDENTIFICATION

A STORAGE CABBIERS



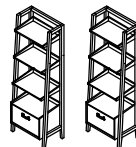
1PC

B BACK RAIL



1PC

C BOOKSHELVES  
\*FROM BOX ITEM #802043



1PC

D WRITING DESK  
\*FROM BOX ITEM #802041



1PC

## HARDWARE IDENTIFICATION

1 L BRACKET  
(C35 - BLK)



4PCS

2 FLAT HEAD SCREW  
(M3.5 x 16mm - BLK)



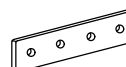
8PCS

3 PAN HEAD SCREW  
(M4 x 16mm - BLK)



8PCS

4 PLATE  
(3 x 25 x 90mm - BLK)



2PCS

### NOTE:

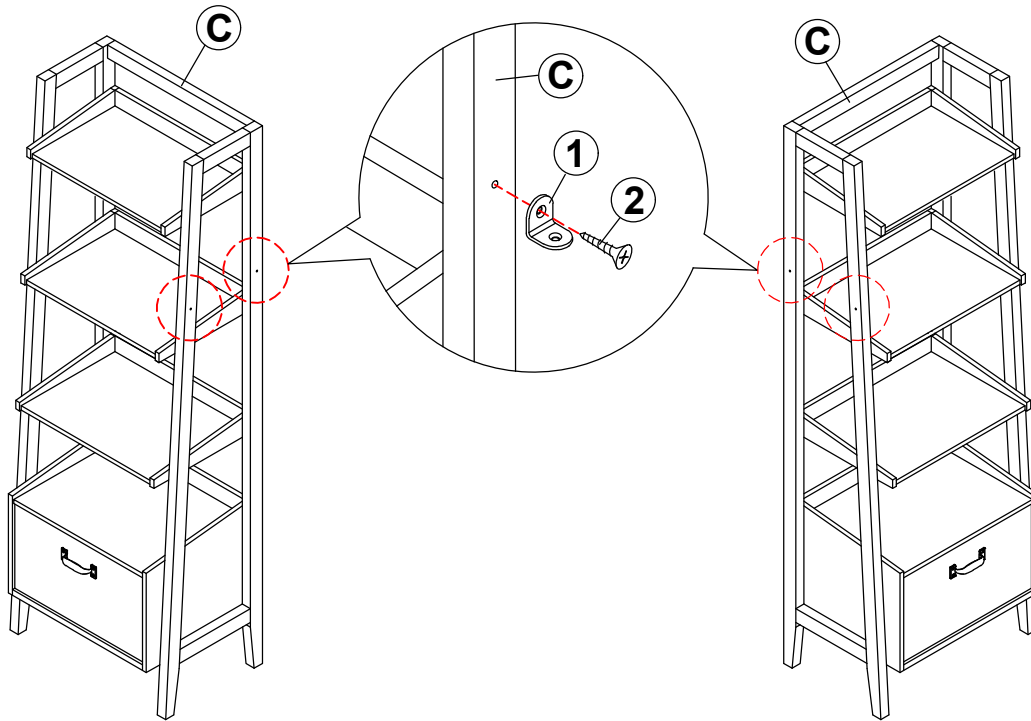
Phillips head screw driver is required in the assembly process; however, manufacturer does not provide this item.

ITEM: **802044**

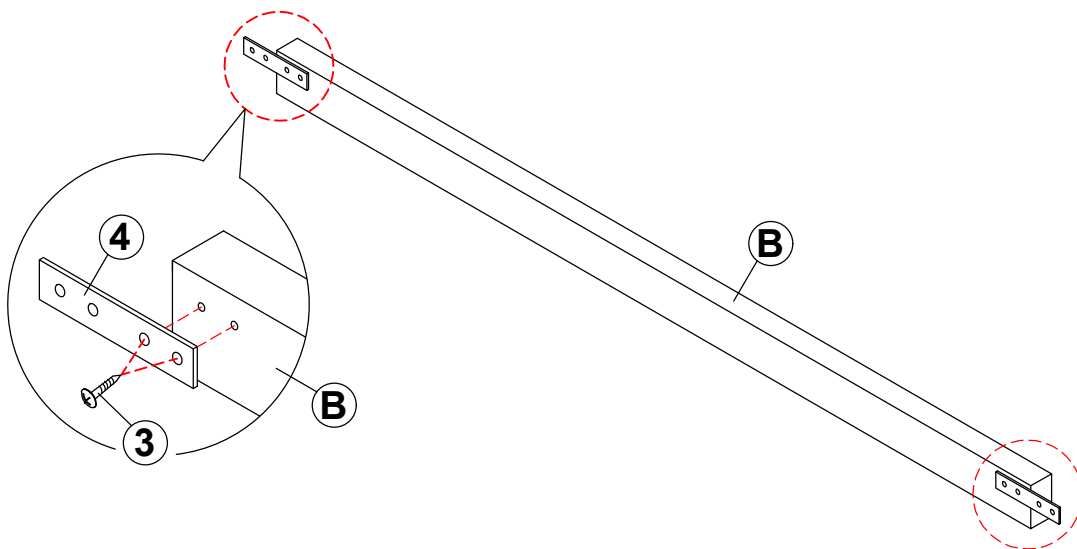


# ASSEMBLY INSTRUCTIONS

## STEP 1



## STEP 2

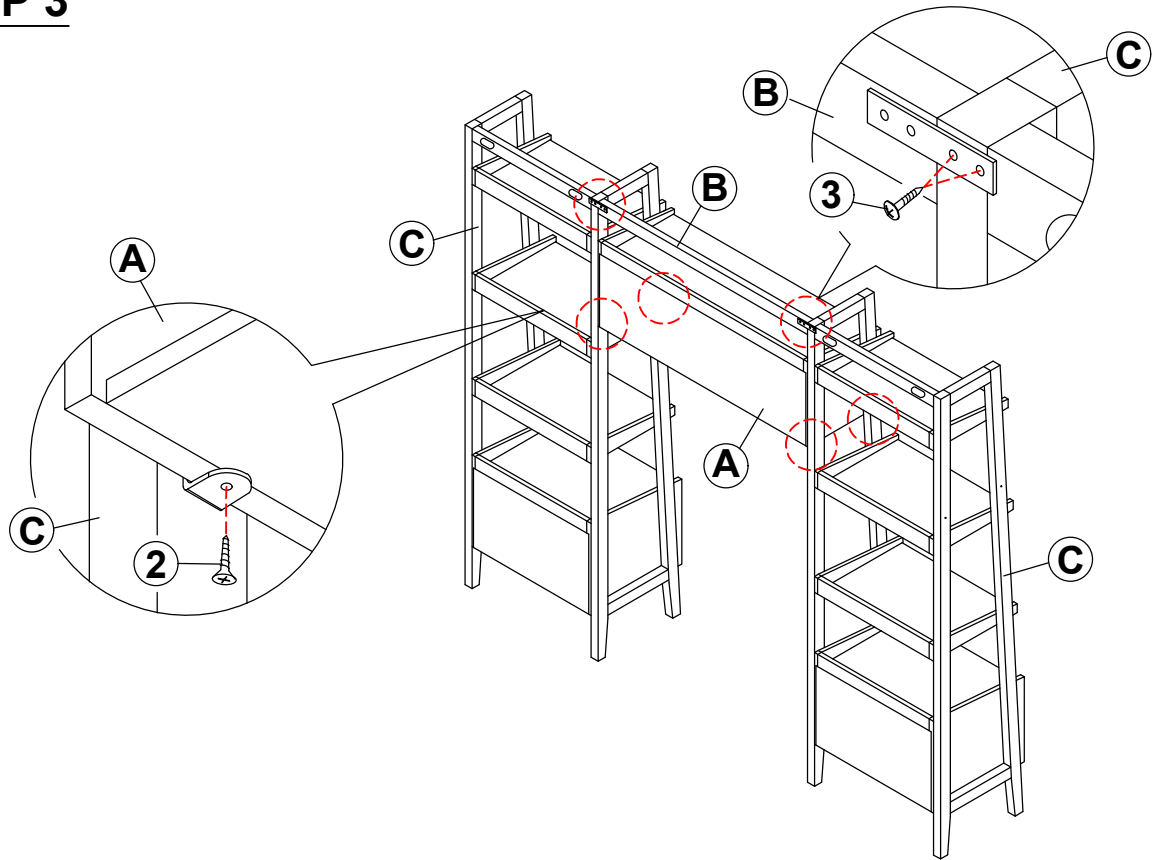


ITEM: **802044**

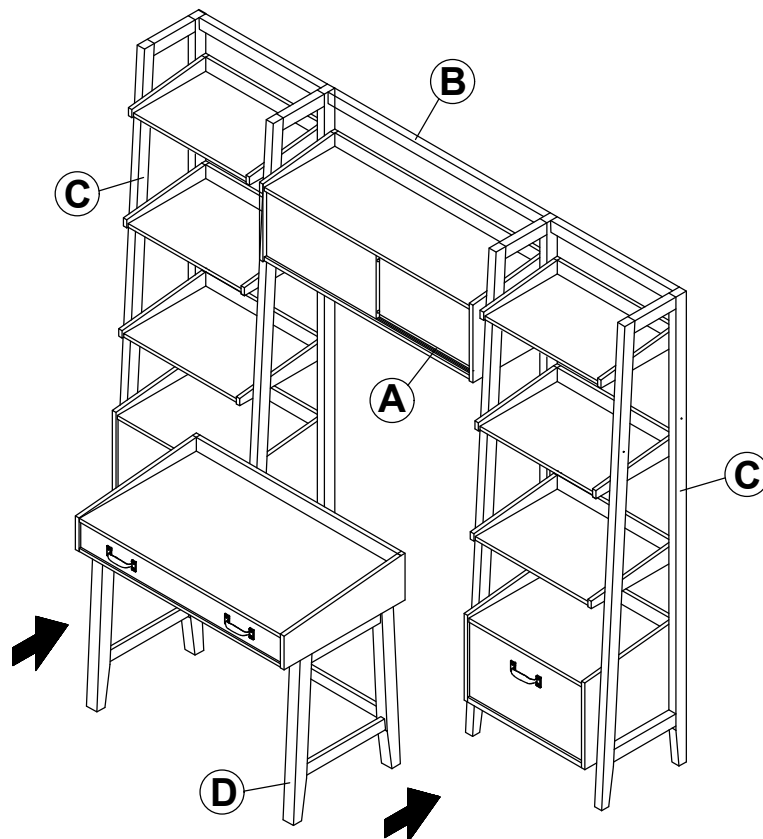


# ASSEMBLY INSTRUCTIONS

## STEP 3



## STEP 4

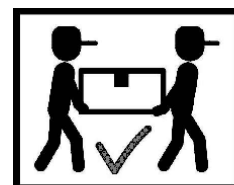
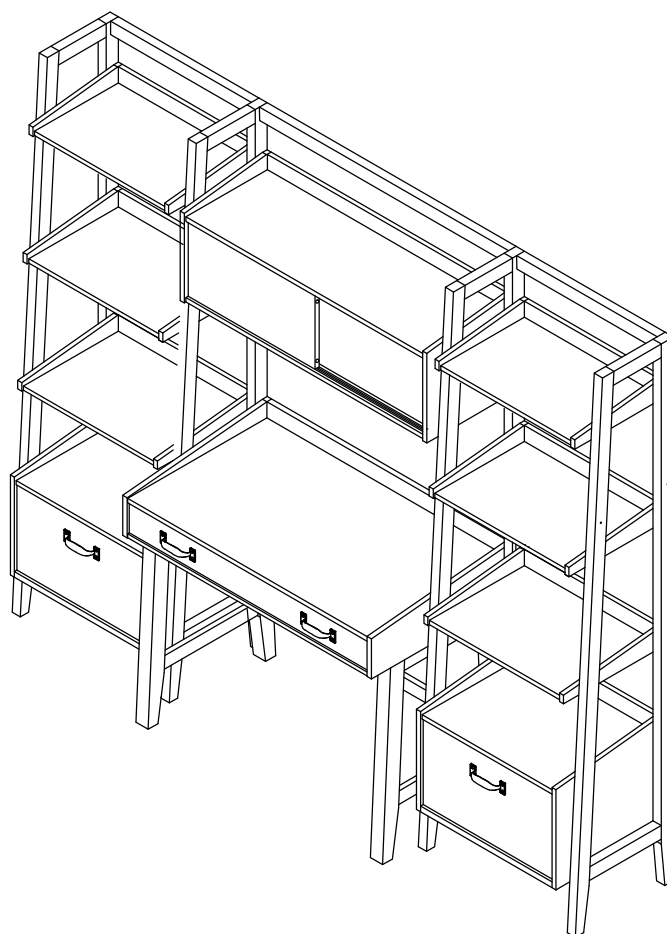


ITEM: **802044**

**ASSEMBLY INSTRUCTIONS**

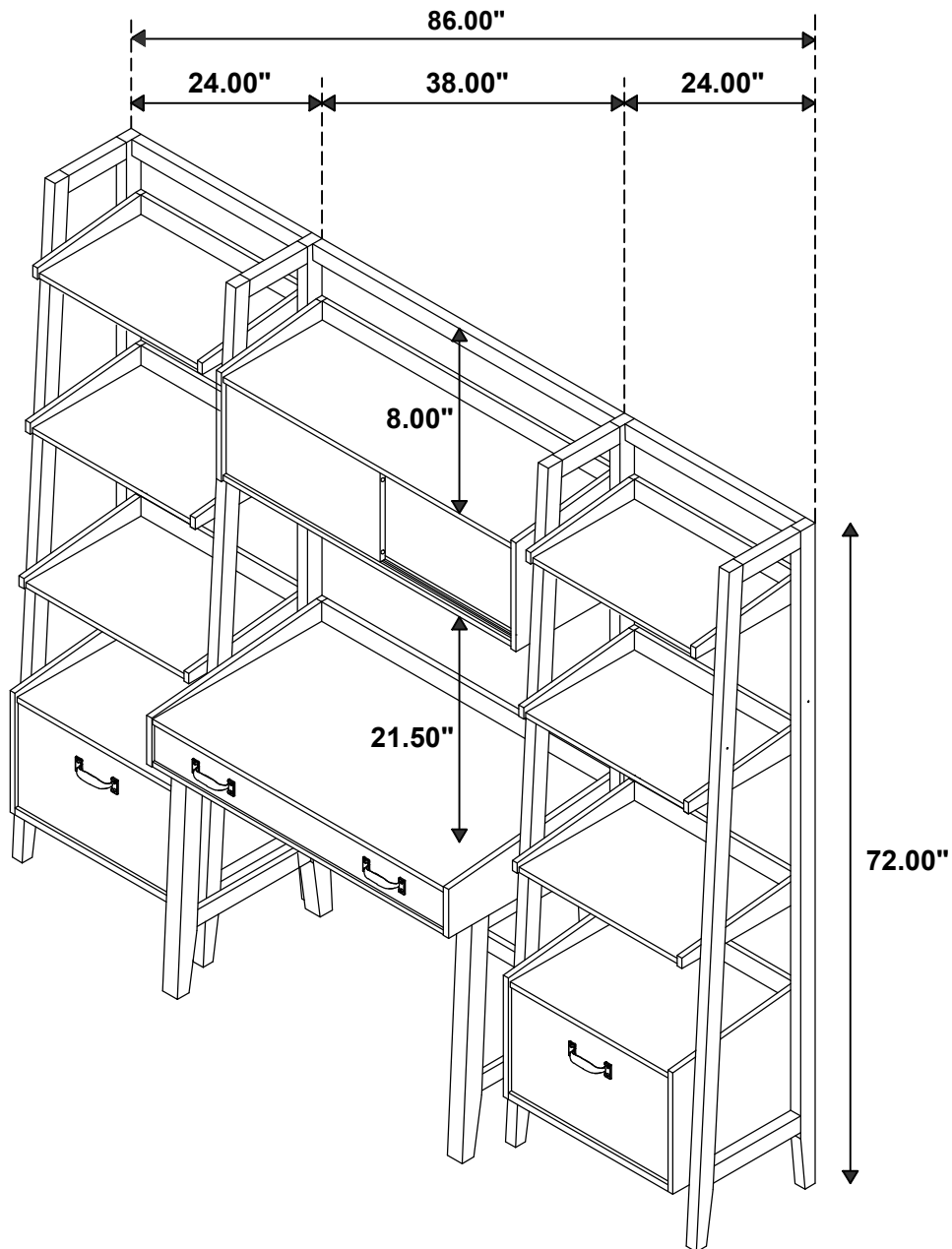
**STEP 5**

**COMPLETE**



ITEM: **802044**

**COASTER**  
FINE FURNITURE



**Note : Dimension tolerance  $\pm 5\%$**