

ASSEMBLY INSTRUCTIONS
COASTER FINE FURNITURE



Fine Furniture for every stage of life

804417
WALL SHELF

ITEM:804417

ASSEMBLY INSTRUCTIONS

ASSEMBLY TIPS:

1. Remove hardware from box and sort by size.
2. Please check to see that all hardware and parts are present prior to start of assembly.
3. Please follow attached instructions in the same sequence as numbered to assure fast & easy assembly.

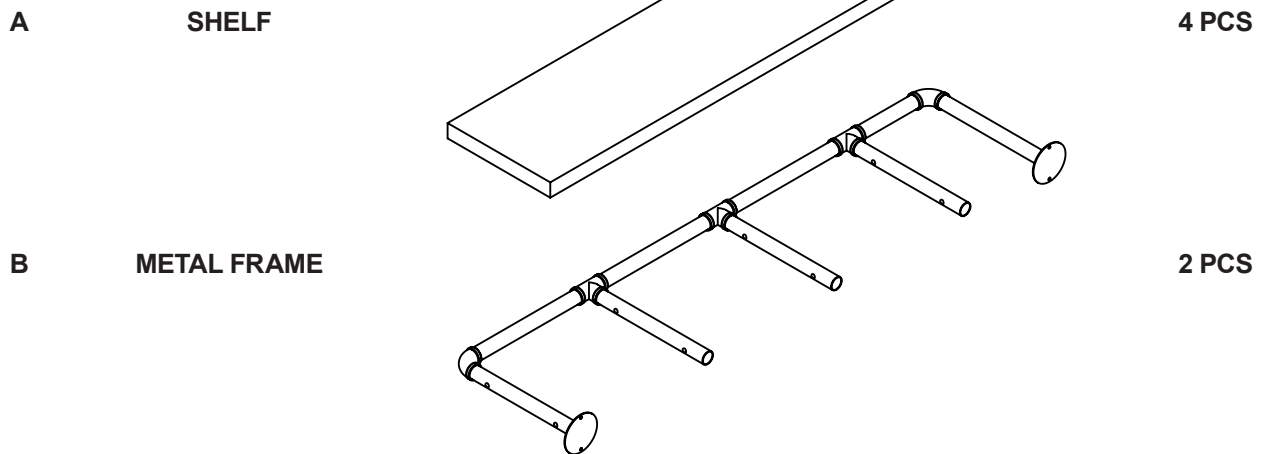


WARNING!





1. Don't attempt to repair or modify parts that are broken or defective. Please contact the store immediately.
2. This product is for home use only and not intended for commercial establishments.

ASSEMBLY TIME **30 MINUTES**

PARTS IDENTIFICATION



HARDWARE IDENTIFICATION

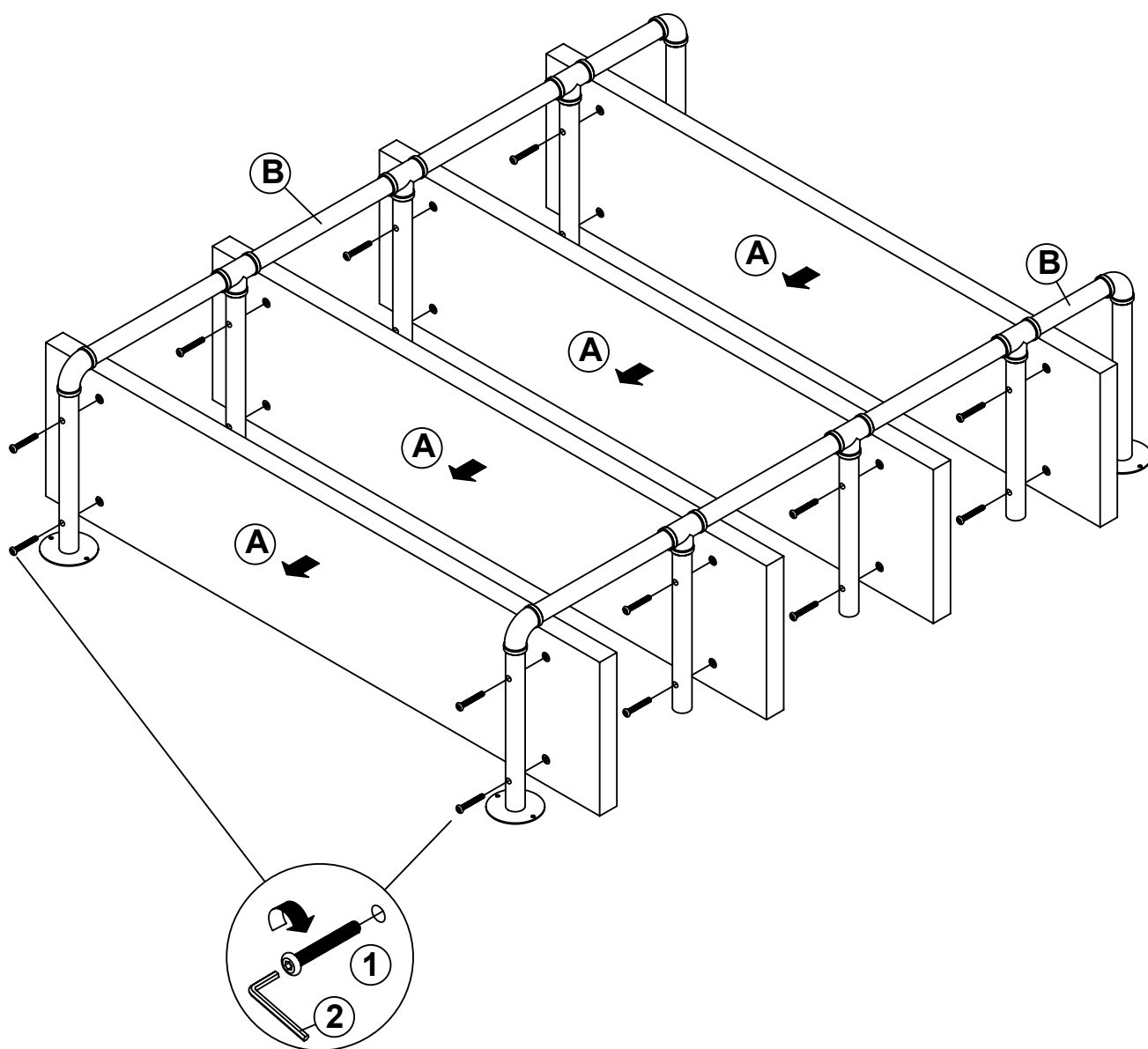
Z NO	DESCRIPTION	FIGURE	Q'TY
1	BOLT M6x44mm BLK		16 PCS
2	ALLEN WRENCH 4mm SR		1 PC
3	WALL PLUG Ø6x30mm		8 PCS
4	WALL SCREW Ø4x25mm BLK		8 PCS

NOTE:

Phillips head screw driver is required in the assembly process; however, manufacturer does not provide this item.

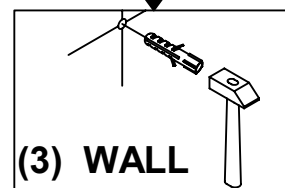
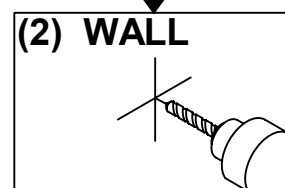
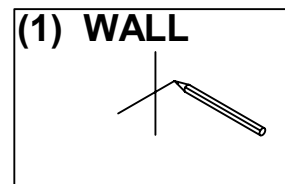
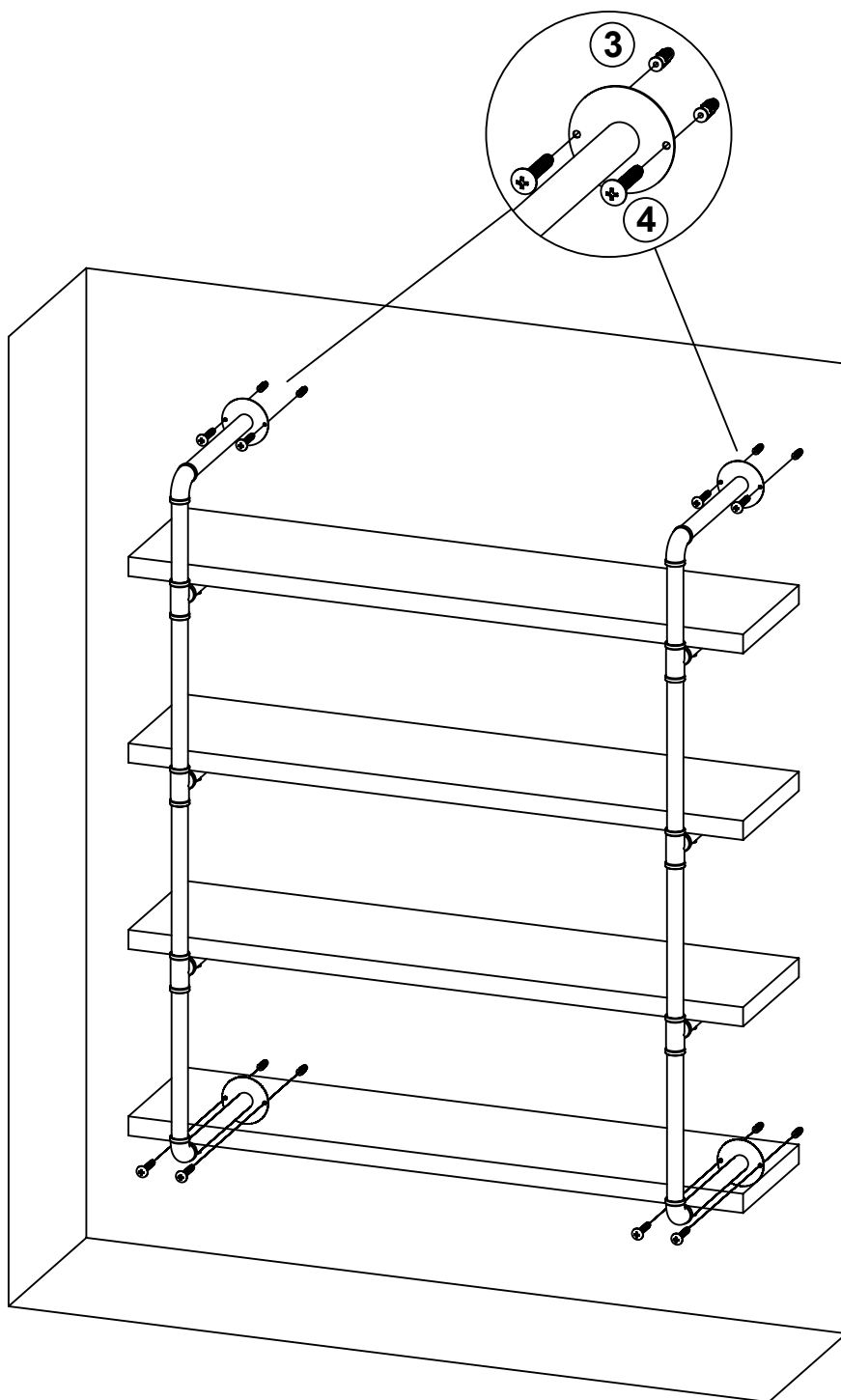
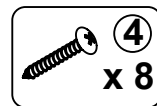
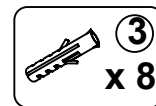
ITEM: 804417

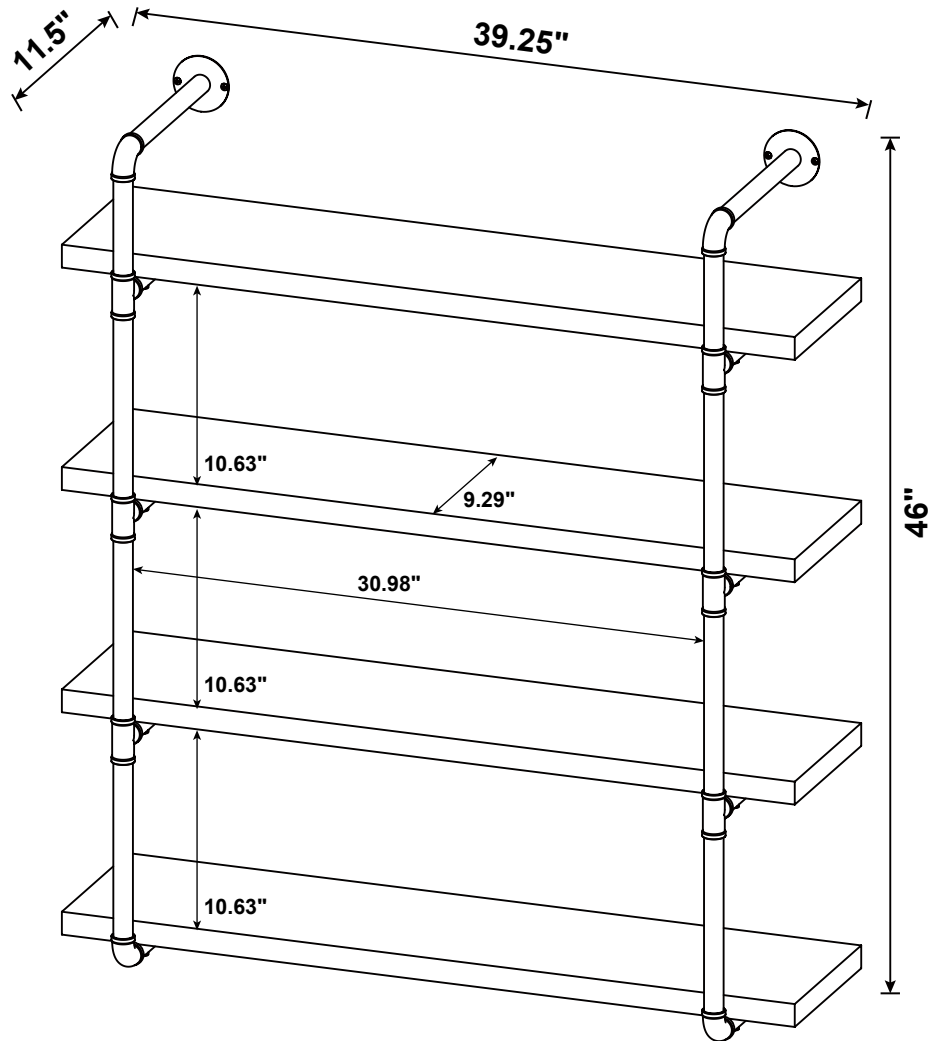
STEP 1



ITEM: 804417

STEP 2





Note : Dimension tolerance $\pm 5\%$