

COASTER[®]
FINE FURNITURE

400381T(B1-B3)

CAPTAIN BED

**ASSEMBLY INSTRUCTIONS
COASTER FINE FURNITURE**



www.coastercompany.com

ASSEMBLY TIPS:


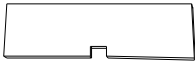





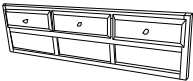
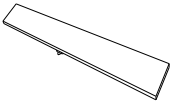


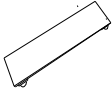

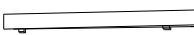
1. Remove hardware from box and sort by size
2. Please check to see that all hardware and parts are present prior start of assembly.
3. Please follow attached instruction in the same sequence as numbered to assure fast & easy assembly.



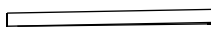
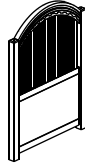

Warning!

1. Don't attempt to repair or modify parts that are broken or defective. Please contact the store immediately.
2. This product is for home use only and not intended for commercial establishment


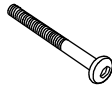





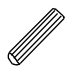
PARTS IDENTIFICATION

A		DRAWER FRONT	3PCS
B		DRAWER BACK PANEL	3PCS
C		DRAWER LEFT PANEL	3PCS
D		DRAWER RIGHT PANEL	3PCS
E		DRAWER BOTTOM PANEL	3PCS
F		FEMALE DRAWER GLIDE	3PCS
G		MALE DRAWER GLIDE	3PCS
H		TRUNDLE FRONT PANEL	1PC
I		TRUNDLE BACK PANEL	1PC
J		DRAWER SUPPORT RAIL	1PC
K		TRUNDLE LEFT PANEL	1PC
L		TRUNDLE RIGHT PANEL	1PC
M		ROLL SLAT	2PCS
N		FRONT BED RAIL	1PC

PARTS IDENTIFICATION

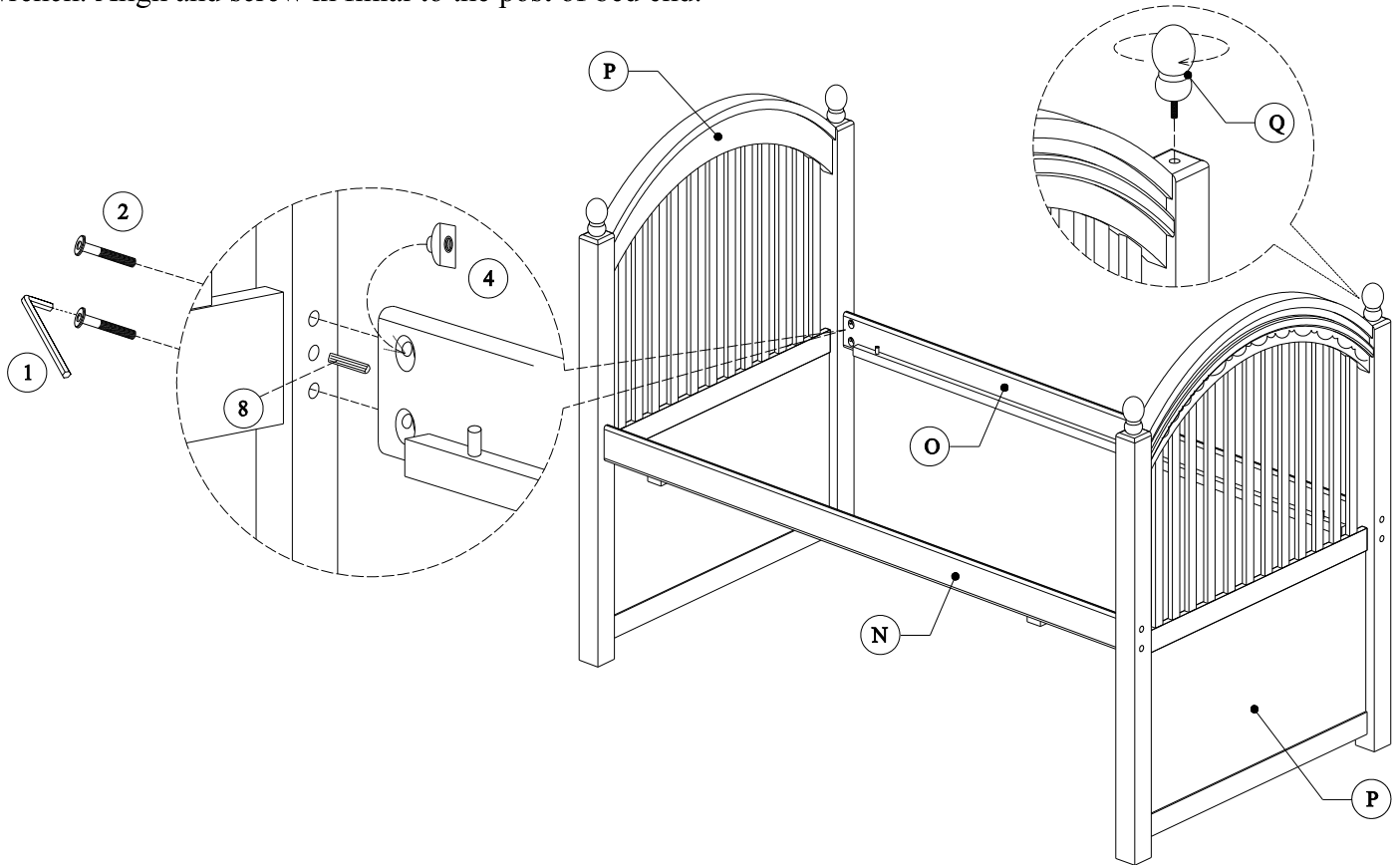
O		BACK BED RAIL	1PC
P		BED END	2PCS
Q		FINIAL	4PCS

HARDWARE IDENTIFICATION

1		ALLEN WRENCH	1PC
2		LONG BOLT	8PCS
3		SHORT BOLT	12PCS
4		NUT	12PCS
5		WOOD SCREW	88PCS
6		PULL AND SCREW	6PCS
7		MEDIUM BOLT	4PCS
8		WOOD DOWEL	4PCS

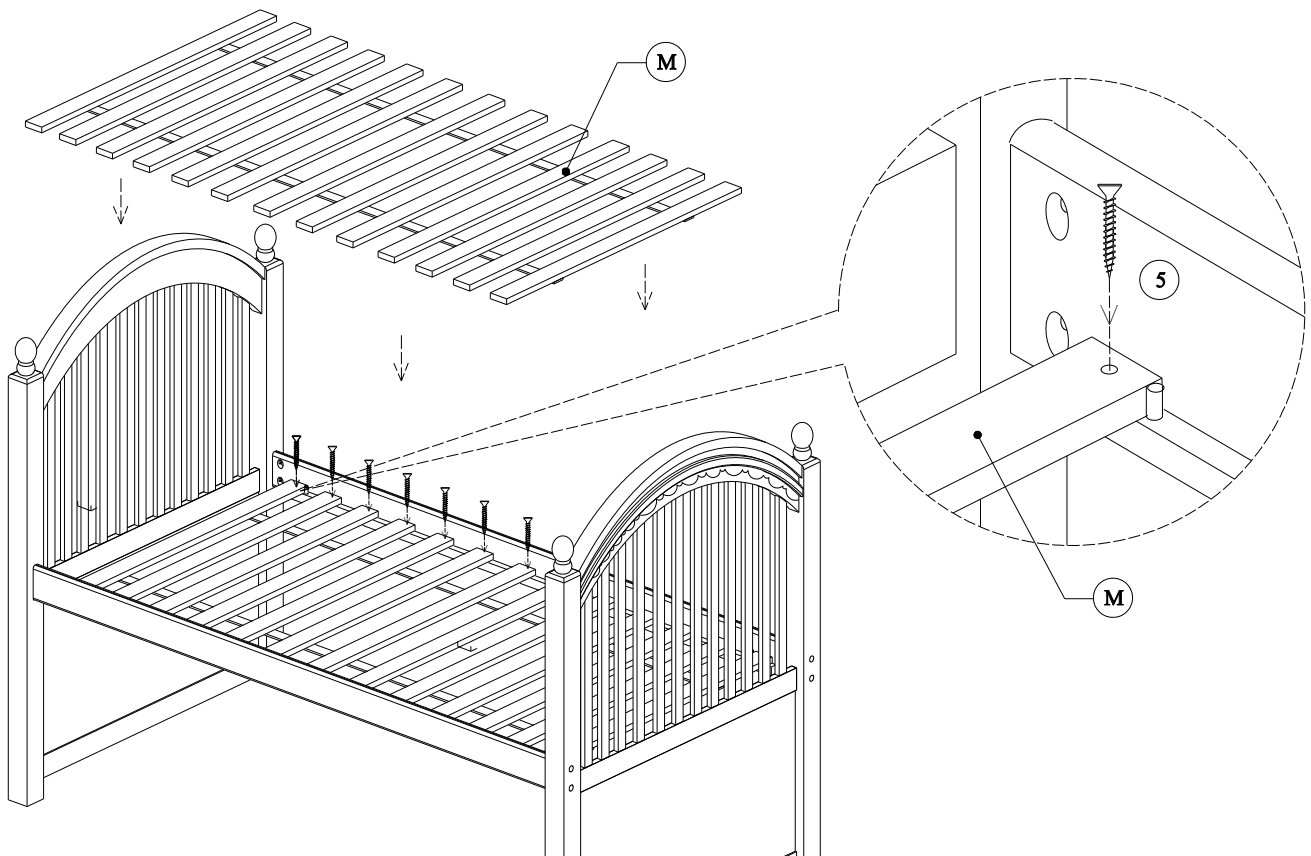
STEP 1

Insert dowel into bed rail. Align and fasten bed rail to bed end using long bolt and nut and tighten with Allen wrench. Align and screw in finial to the post of bed end.



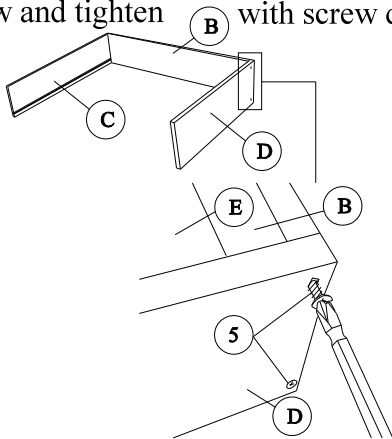
STEP 2

Align and fasten roll slat to bed rail using wood screw and tighten with screw driver (not included)



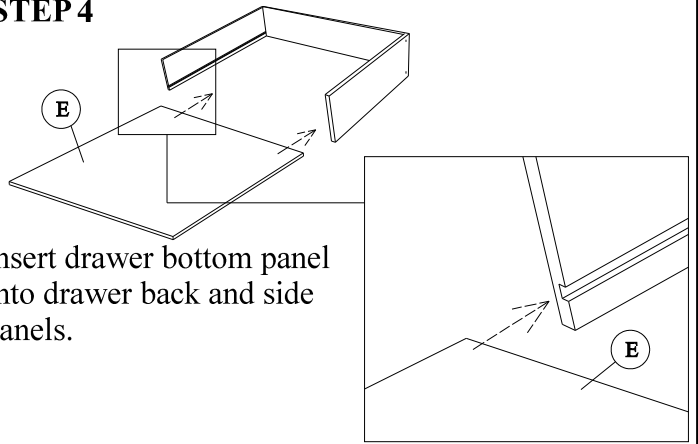
STEP 3

Align and fasten drawer back panel to left & right panel using screw and tighten with screw driver (not included)

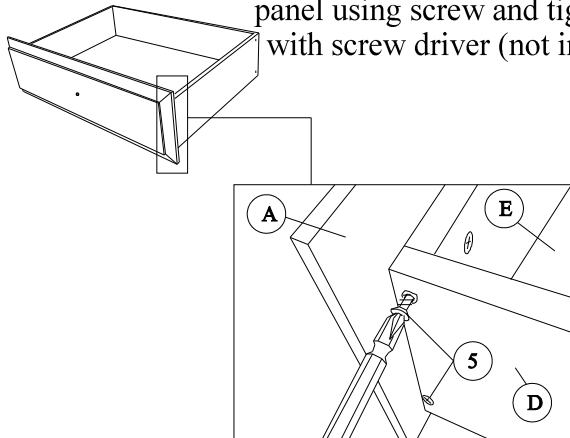


STEP 4

Insert drawer bottom panel into drawer back and side panels.

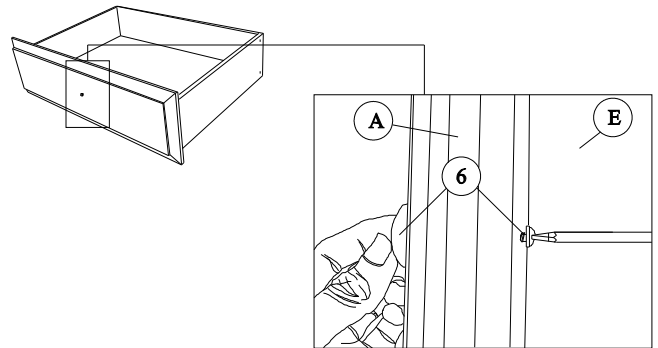


STEP 5 Align and fasten drawer front to drawer side panel using screw and tighten with screw driver (not included)



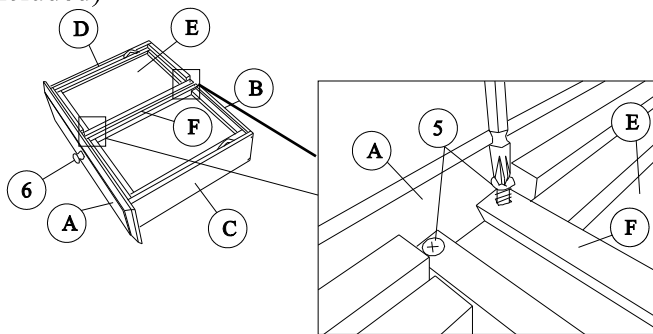
STEP 6

Align and fasten drawer pull to drawer using screw and tighten with screw driver (not included)



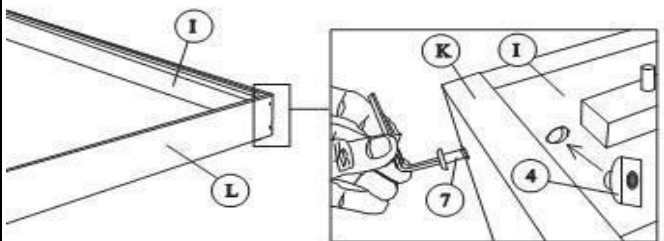
STEP 7

Align and fasten female drawer glide to drawer bottom using screw and tighten with screw driver (not included)



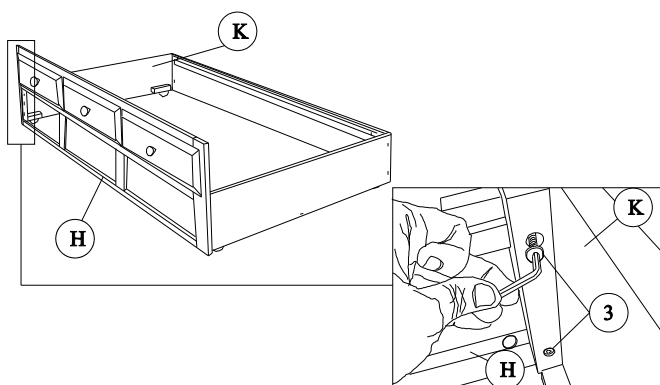
STEP 8

Align and fasten trundle back panel to side panel using medium bolt and nut, then tighten with Allen wrench



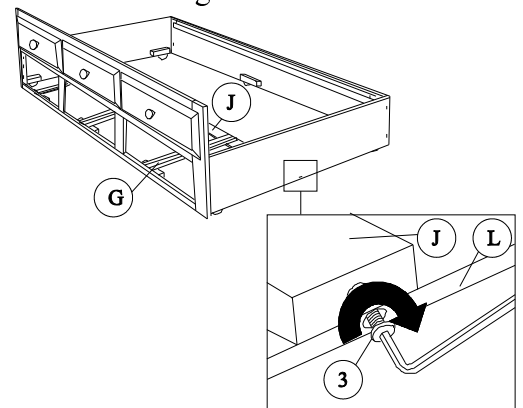
STEP 9

Align and fasten trundle front panel to side panel using short bolt and tighten with Allen wrench.

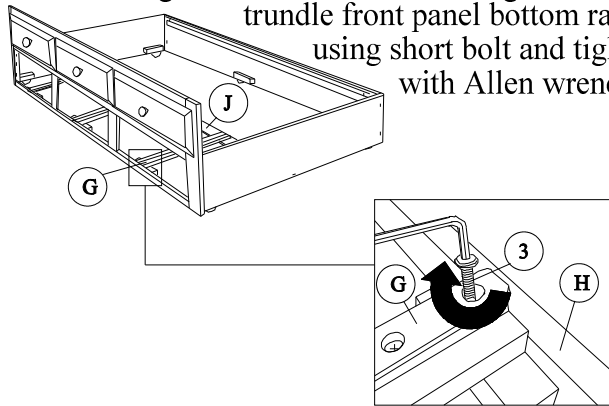


STEP 10

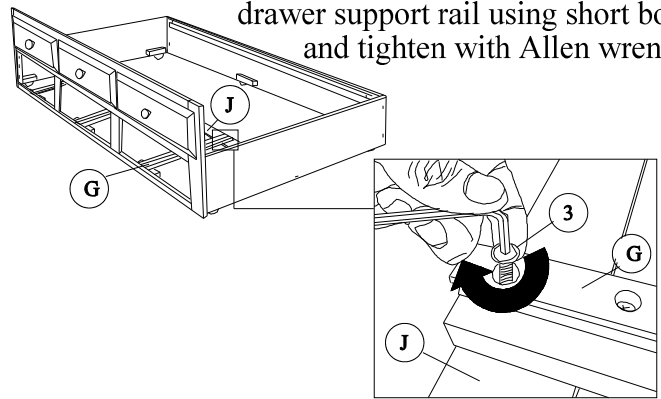
Align and fasten drawer support rail to trundle side panel using short bolt and tighten with Allen wrench.



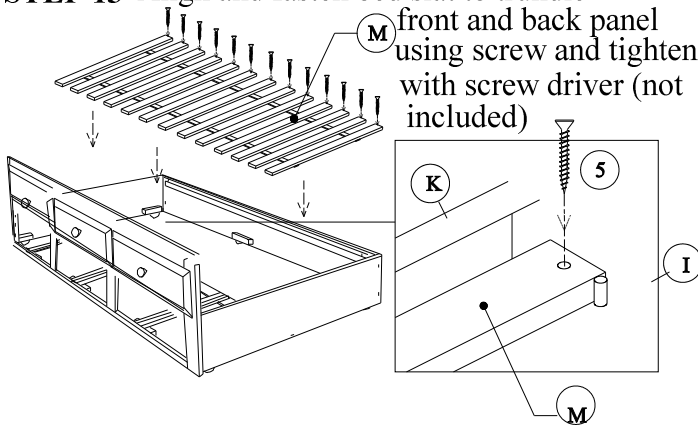
STEP 11 Align and fasten male drawer glide to trundle front panel bottom rail using short bolt and tighten with Allen wrench.



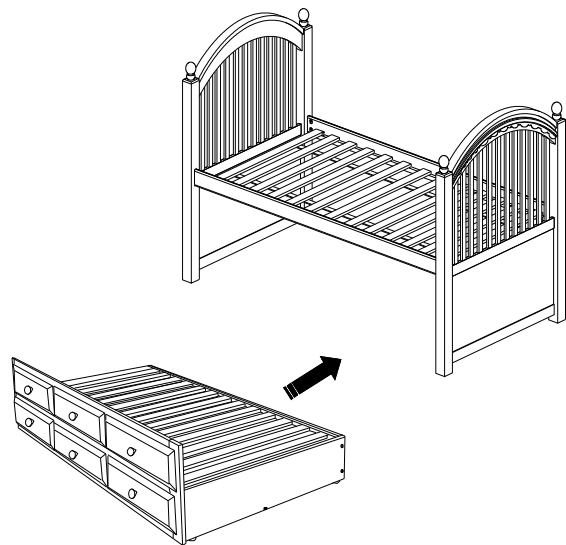
STEP 12 Align and fasten male drawer glide to drawer support rail using short bolt and tighten with Allen wrench



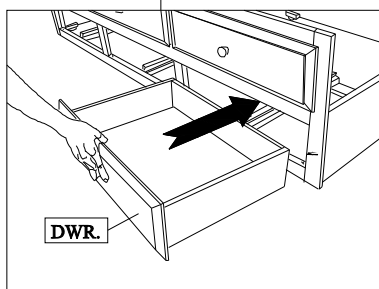
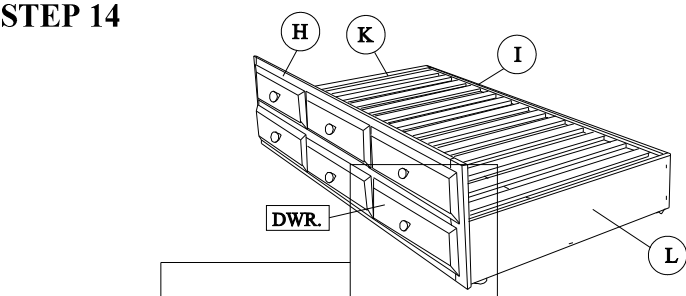
STEP 13 Align and fasten bed slat (M) to trundle front and back panel using screw (5) and tighten with screw driver (not included)



STEP 15
Slide the trundle into place



STEP 14



Slide the three drawers into place.

