

COASTER[®]
FINE FURNITURE

350044KW/350044KE

CAL KING/EASTER KING SIZE
ELECTRIC ADJUSTABLE BED

ASSEMBLY INSTRUCTION
COASTER FINE FURNITURE



www.coastercompany.com

25/06/2016

ASSEMBLY INSTRUCTIONS

ASSEMBLY TIPS:

- 1.Remove hardware from box and sort by size.
- 2.Please check to see that all hardware and parts are present prior to start of assembly.
- 3.Please follow attached instructions in the same sequence as numbered to assure fast & easy assembly.





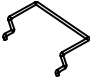




Warning!

- 1.Don't attempt to repair or modify parts that are broken or defective .Please contact the store immediately.
- 2.This product is for home use only and not intended for commercial establishment.









PARTS IDENTIFICATION

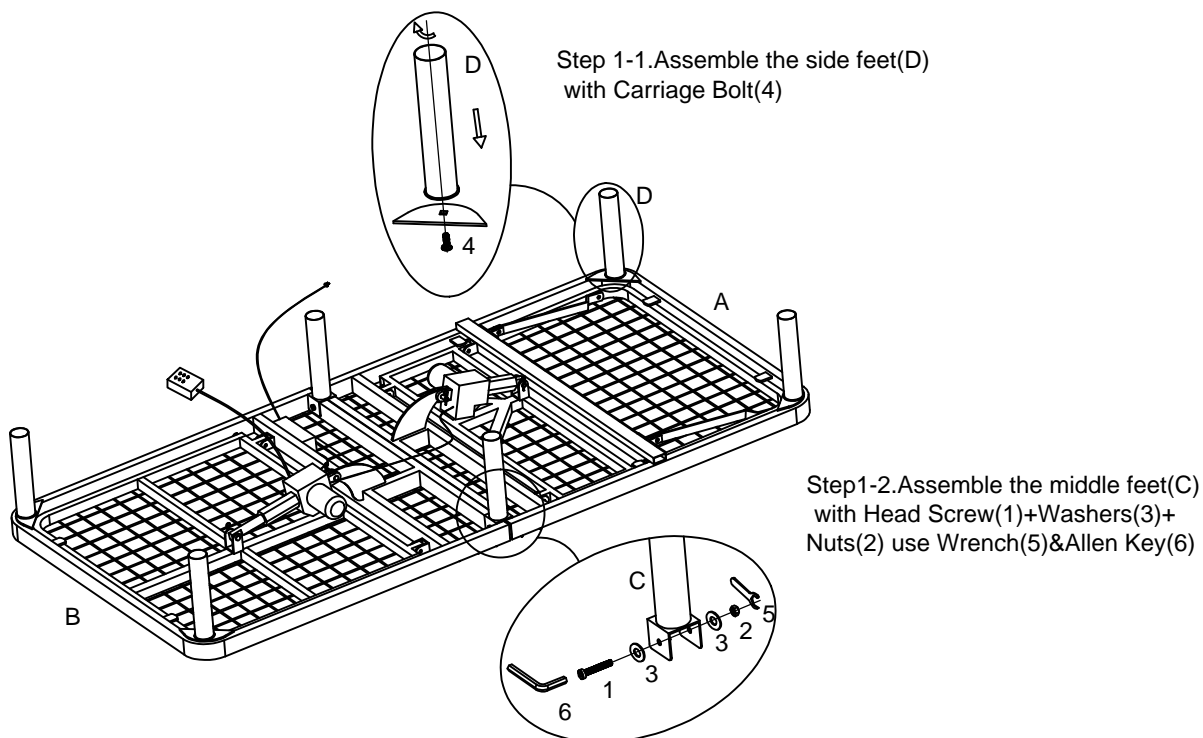
- | | | | |
|---|-----------------------|---|------|
| A | Foot bed frame |  | 1PC |
| B | Head bed frame |  | 1PC |
| C | Middle feet |  | 2PCS |
| D | Side Feet |  | 4PCS |
| E | Foot mattress stopper |  | 1PC |
| F | Small side slip |  | 4PCS |
| G | "U"Shape Clip |  | 1PC |

ASSEMBLY TIME PER UNIT: 20 MINUTES

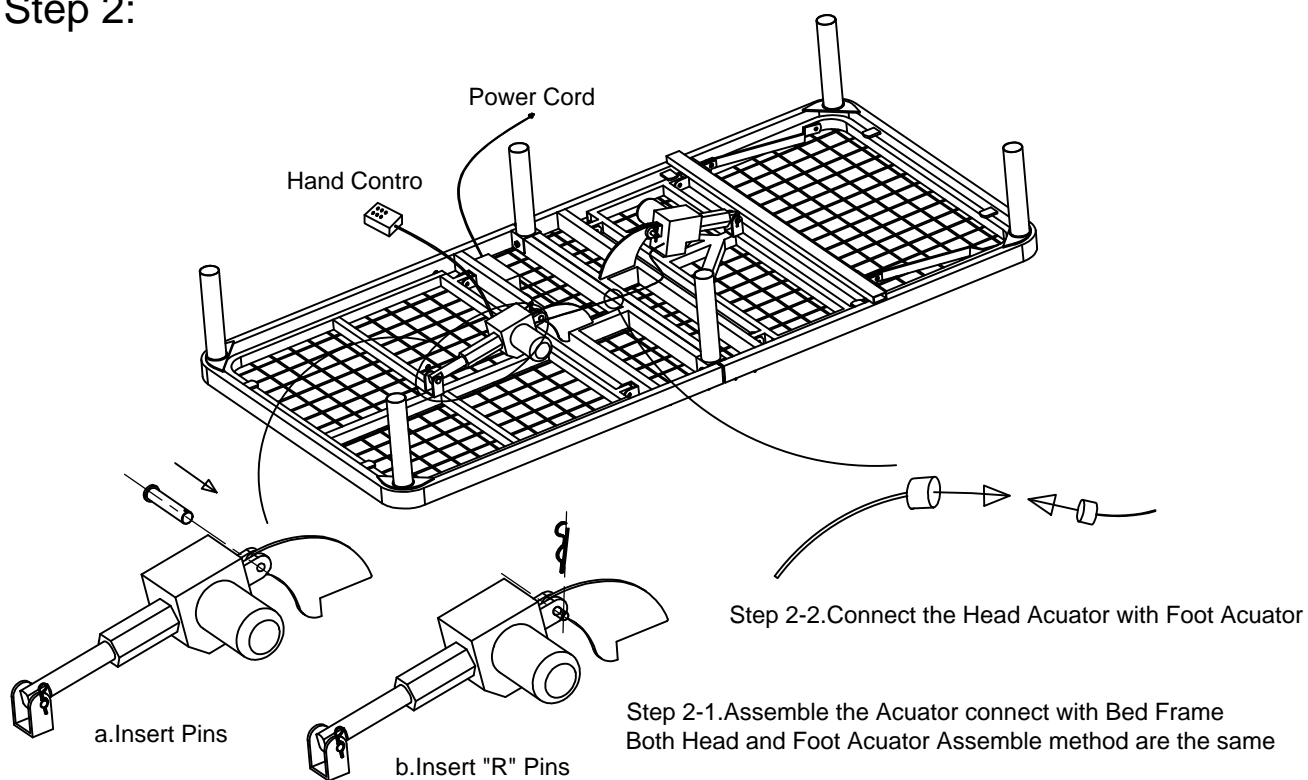
HARDWARE PACKAGE

No	Name	Size	Picture	Qty
1	Socket head screw	M8*70		2PCS
2	Nuts	M8		2PCS
3	Washers	ø8.5*22		4PCS
4	Carriage_bolt	M10*35		4PCS
5	Wrench	13#		1PC
6	Allen Key	5mm		1PC

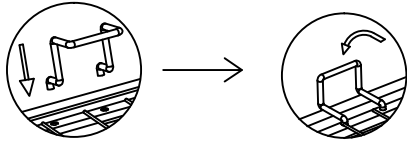
Step 1:



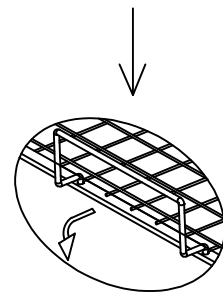
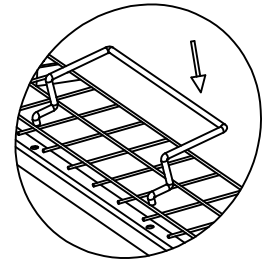
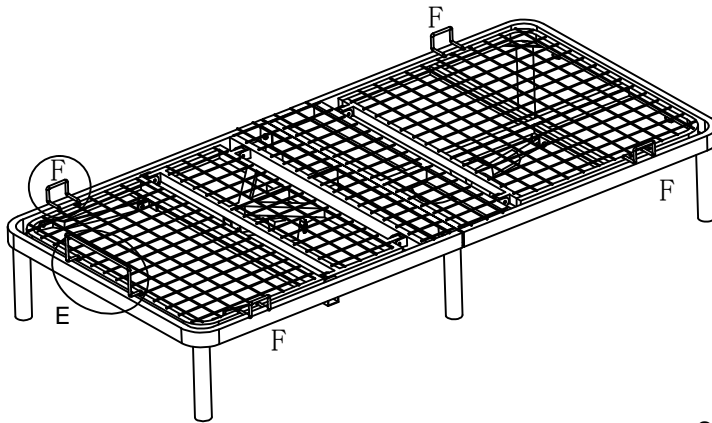
Step 2:



Step 3:



Step3-1.Assemble the Small side slips(F).



Step3-2.Assemble the Foot mattress stopper(E).

Step 4:

Step4-1 Assemble "U"Shape Clip(G)

