

**COASTER**<sup>®</sup>  
FINE FURNITURE

**300621KE**

**HEADBOARD ONLY**

**ASSEMBLY INSTRUCTIONS**  
**COASTER FINE FURNITURE**



**[www.coasterfurniture.com](http://www.coasterfurniture.com)**

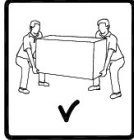
**ASSEMBLY TIPS:**

1. Remove hardware from box and sort by size.
2. Please check to see that all hardware and parts are present prior to start of assembly.
3. Please follow attached instructions in the same sequence as numbered to assure fast & easy assembly.



**Warning!**

1. Don't attempt to repair or modify parts that are broken or defective. Please contact the store immediately.
2. This product is for home use only and not intended for commercial establishments.



<b>ASSEMBLY TIME</b>	<b>10 MINUTES</b>
----------------------	-------------------

**PARTS IDENTIFICATION**

**B1 (BOX 1)**

	<b>PART NAME</b>	<b>FIGURE</b>	<b>QTY</b>
<b>A</b>	HEADBOARD		1PC
<b>B</b>	LEFT HEADBOARD LEG		1PC
<b>C</b>	RIGHT HEADBOARD LEG		1PC

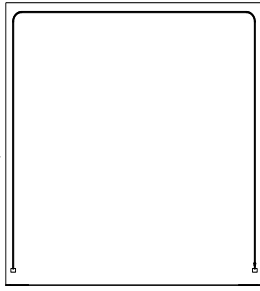
**HARDWARE IDENTIFICATION**

**Z-B1 (BOX1) - HARDWARE PACK IS LOCATED IN 300621KE (B1)**

	<b>HARDWARE NAME</b>	<b>FIGURE</b>	<b>Q'TY</b>		<b>HARDWARE NAME</b>	<b>FIGURE</b>	<b>Q'TY</b>
1	Allen wrench 5*23*73mm		1 PC	6	Hexagon socket screw 7cm		4 PCS
3	Headboard corner bracket- Right		1 PC	12	Hexagon socket screw 4cm		4 PCS
4	Headboard corner bracket- Left		1 PC	13	Washer M8 21*21*1mm		16 PCS
5	Short bolt 4.5cm		8 PCS				

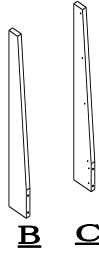
STEP 1

A



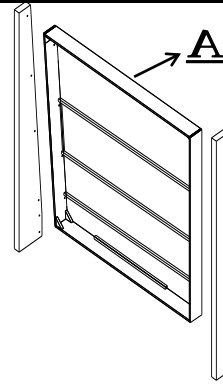
Left

Right



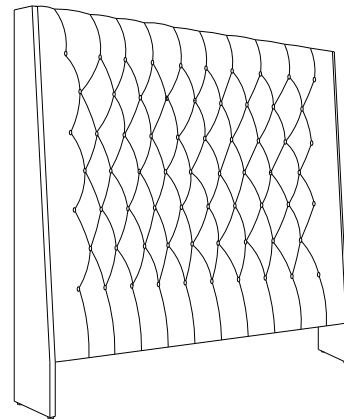
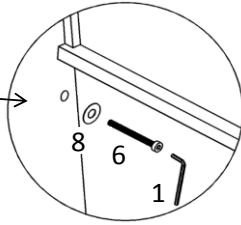
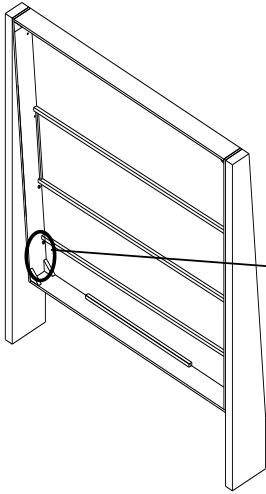
Right

C



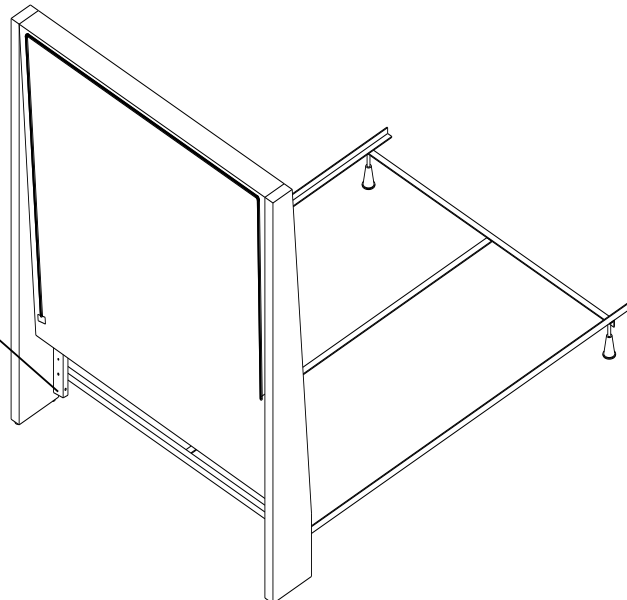
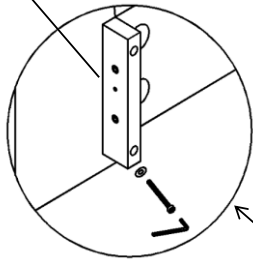
Left

B

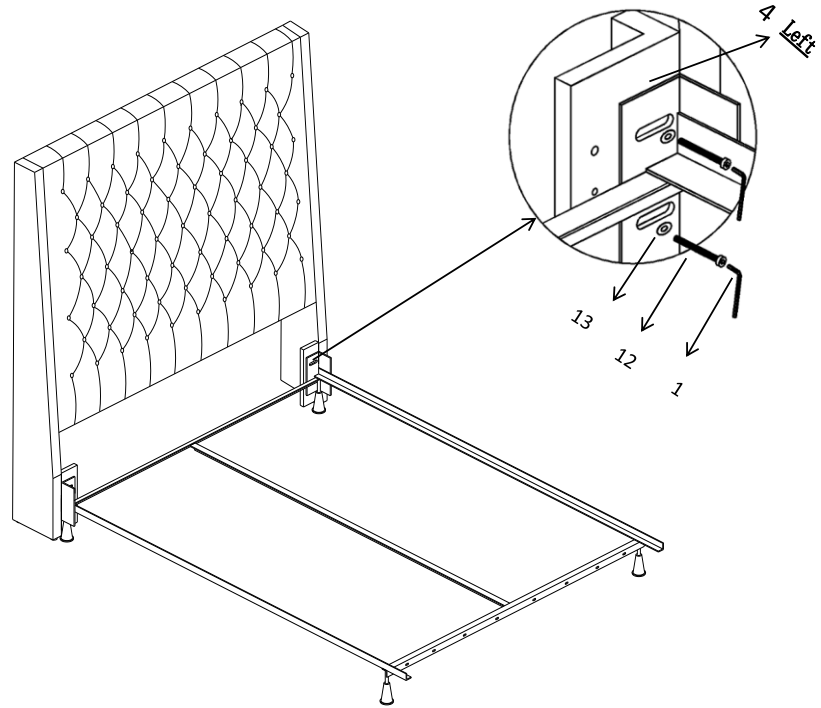


STEP 2

4 Left



STEP 3



STEP 4

