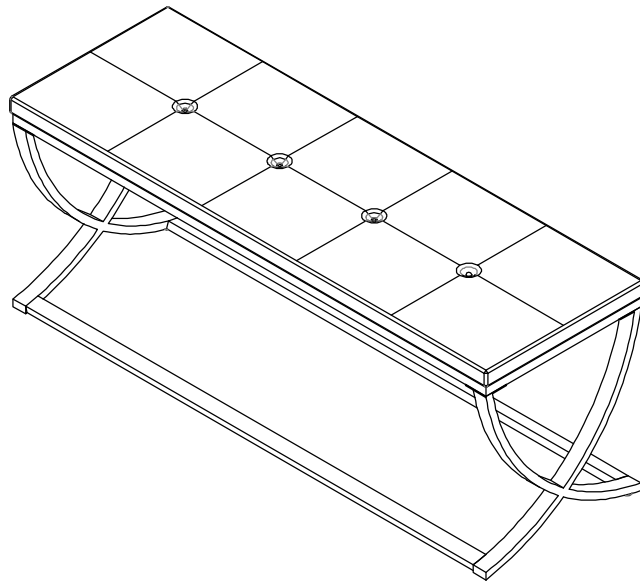


*ASSEMBLY INSTRUCTIONS*  
*COASTER FINE FURNITURE*



*Fine Furniture for every stage of life*

**501157**  
**BENCH**

REVISION 0 : 09/05/2017  
REVISION 1 : 10/17/2019

ITEM:501157



# ASSEMBLY INSTRUCTIONS

## ASSEMBLY TIPS:

1. Remove hardware from box and sort by size.
2. Please check to see that all hardware and parts are present prior to start of assembly.
3. Please follow attached instructions in the same sequence as numbered to assure fast & easy assembly.

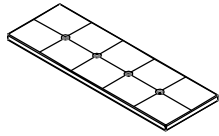
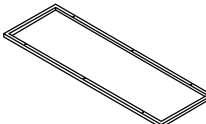
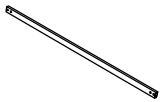



## WARNING!

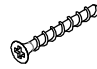


1. Don't attempt to repair or modify parts that are broken or defective. Please contact the store immediately.
2. This product is for home use only and not intended for commercial establishments.

ASSEMBLY TIME 35 MINUTES

## PARTS IDENTIFICATION

A	CUSHION		1PC
B	CUSHION FRAME		1PC
C	CROSSBAR		2PCS
D	SIDE		2PCS

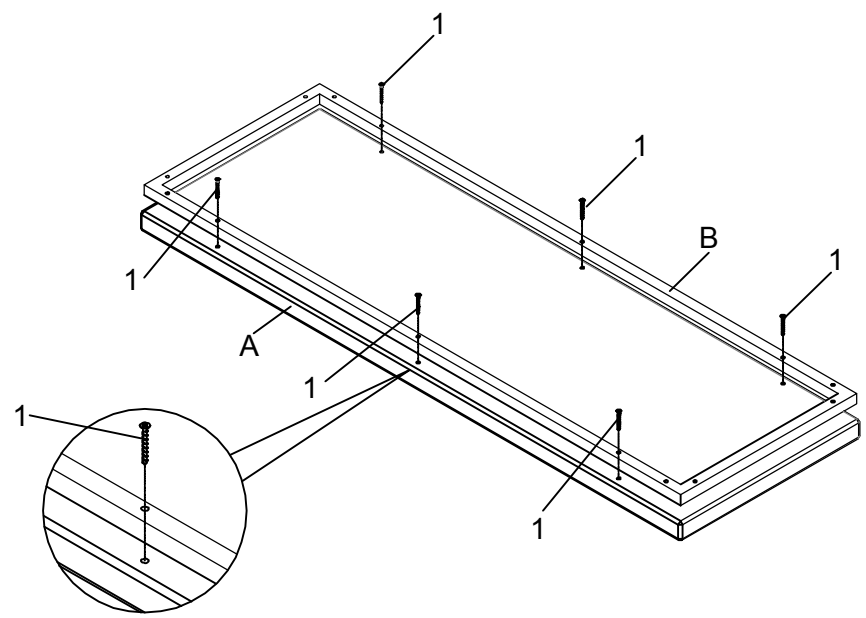
## HARDWARE IDENTIFICATION

1	SCREW (8# x 35mm)		6PCS	3	LEVELER (1/4" x 12mm BLK)		4PCS
2	ALLEN BOLT (1/4" x 12mm SR)		16PCS	4	ALLEN WRENCH (4mm)		1PC

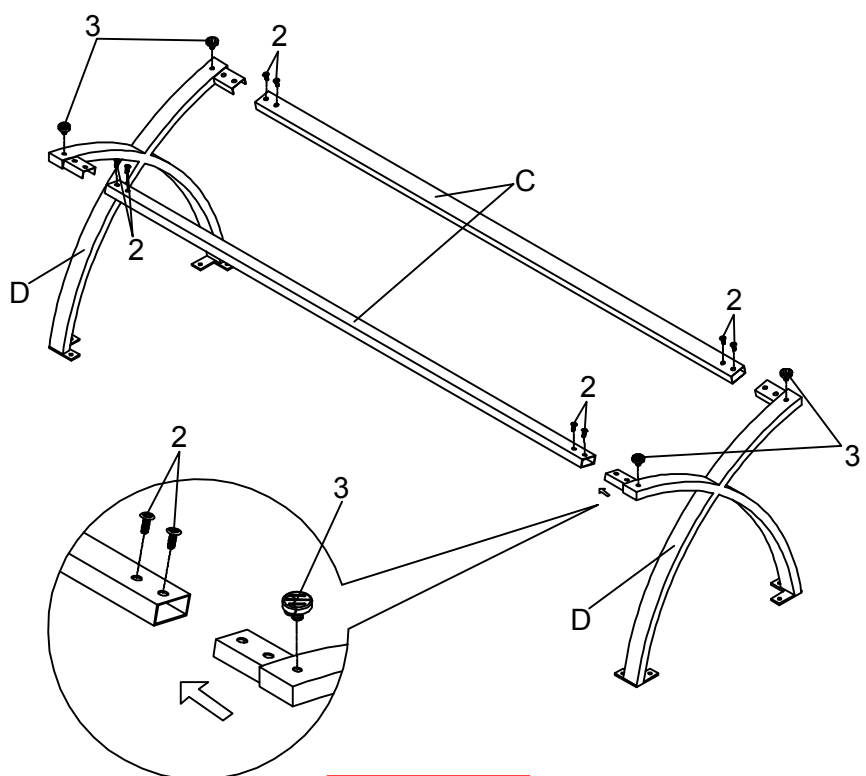
# ITEM: 501157 ASSEMBLY INSTRUCTIONS



**STEP 1** Do not tighten until each step is completed or instructed.



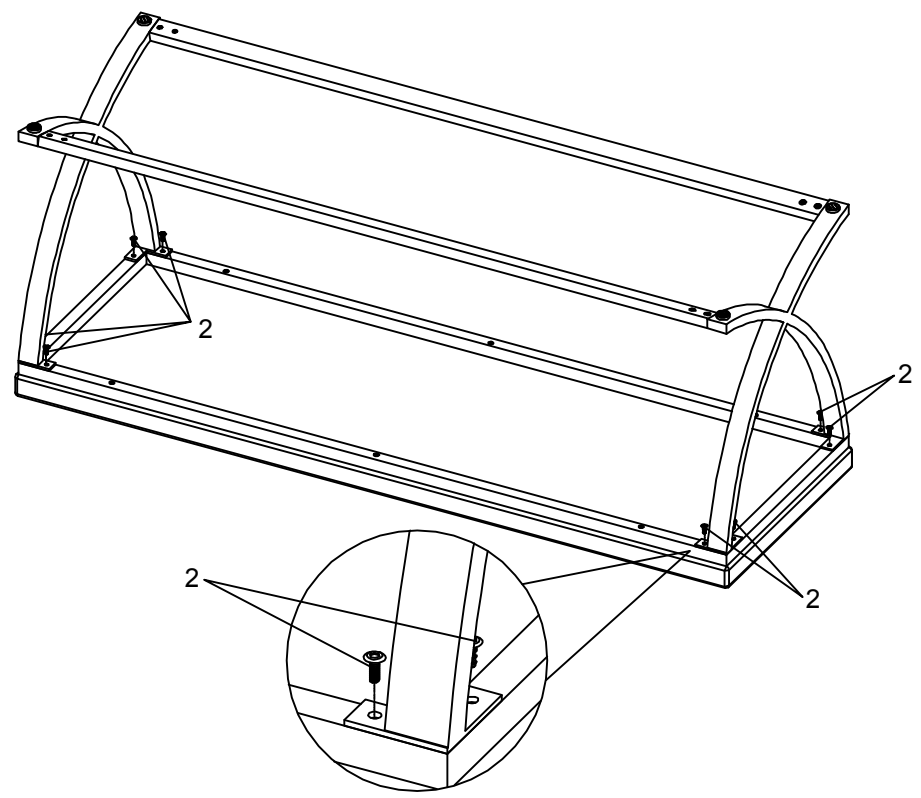
## STEP 2



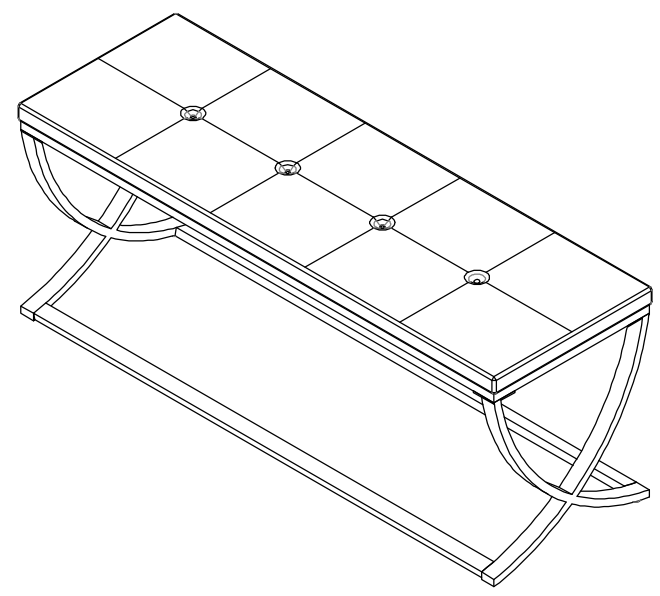
ITEM: 501157  
ASSEMBLY INSTRUCTIONS



STEP 3



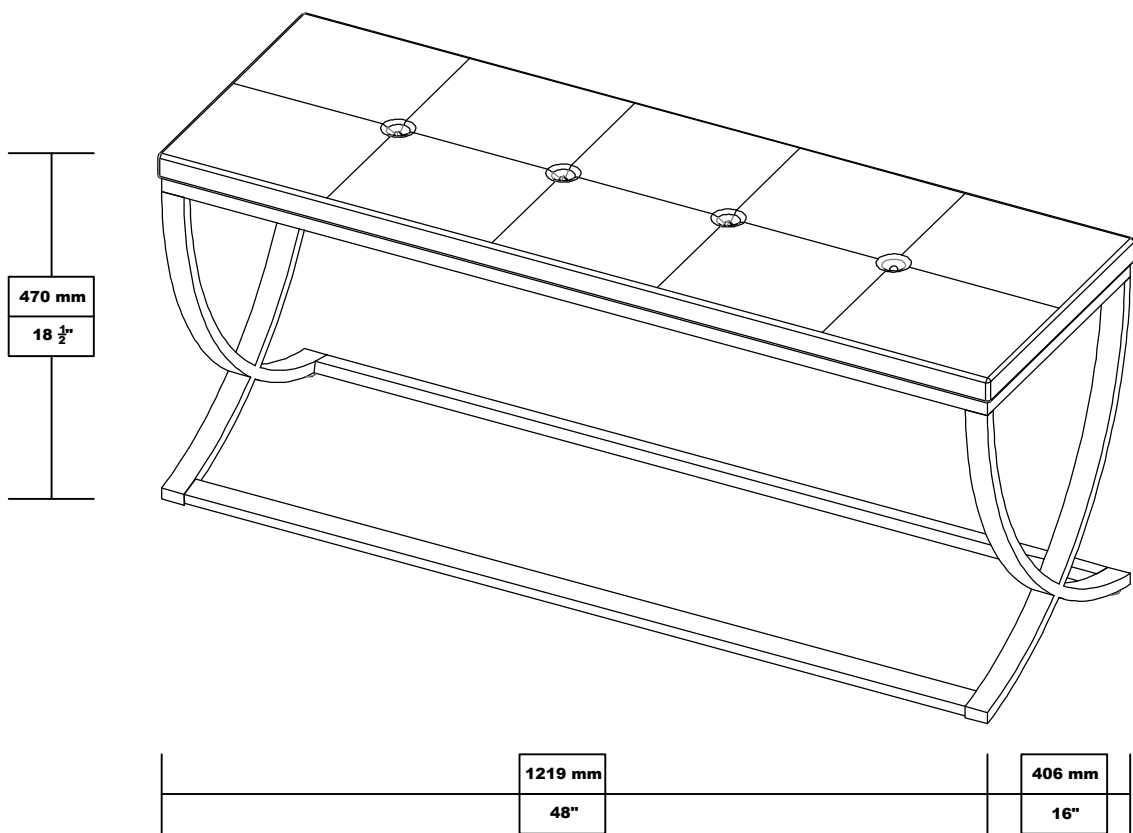
STEP 4  
COMPLETE



# ITEM: 501157 ASSEMBLY INSTRUCTIONS



Product Size : 1219 X 406 X 470 H (MM)
Product Size : 48" X 16" X 18 1/2"



Note : Dimension tolerance  $\pm 5\%$