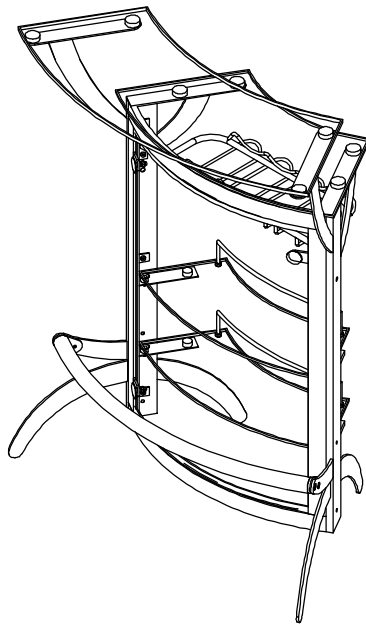


ASSEMBLY INSTRUCTIONS
COASTER FINE FURNITURE



Fine Furniture for every stage of life

100135
BAR TABLE

REVISION 0 : 10/13/2017
REVISION 1 : 05/29/2019
REVISION 2 : 06/13/2019

ITEM: 100135



ASSEMBLY INSTRUCTIONS

ASSEMBLY TIPS:

1. Remove hardware from box and sort by size.
2. Please check to see that all hardware and parts are present prior to start of assembly.
3. Please follow attached instructions in the same sequence as numbered to assure fast & easy assembly.

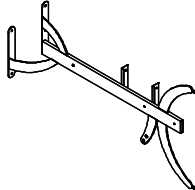
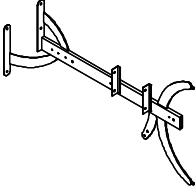
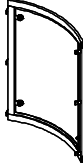
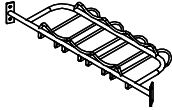
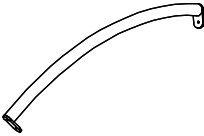



WARNING!

1. Don't attempt to repair or modify parts that are broken or defective. Please contact the store immediately.
2. This product is for home use only and not intended for commercial establishments.

ASSEMBLY TIME 60 MINUTES

PARTS IDENTIFICATION

A	LEFT LEG		1PC
B	RIGHT LEG		1PC
C	FRONT FRAME		1PC
D	HANGER BRACKET		1PC
E	BOTTOM SUPPORT		1PC
F	BOTTOM GLASS SUPPORT		2PCS

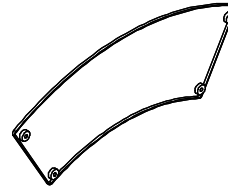
ITEM:100135

ASSEMBLY INSTRUCTIONS

PARTS IDENTIFICATION

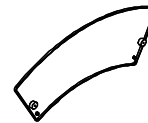


G TOP GLASS



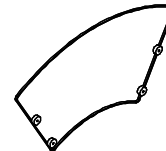
1PC

H BOTTOM GLASS



2PCS

I SHELF GLASS



1PC

HARDWARE IDENTIFICATION

1 ALLEN BOLT-MEDIUM
(1/4" x 8mm BLK)



22PCS

2 ALLEN BOLT-SMALL
(1/4" x 9mm BLK)



4PCS

3 BOLT
(3/16" x 12mm BLK)



4PCS

4 THICKNESS WASHER
(ϕ 15mm)



4PCS

5 SUCTION CUP
(6mm)



4PCS

6 FLOOR LEVELER
(1/4" x 6mm BLK)



4PCS

7 ALLEN BOLT-LARGE
(1/4" x 38mm BLK)



3PCS

8 NUT
(1/4" BLK)



3PCS

9 WASHER
(ϕ 16mm BLK)



3PCS

10 PLASTIC WASHER
(ϕ 26mm)



3PCS

11 ALLEN WRENCH
(4mm)



1PC

12 HEXAGONAL KEY
(1/4")

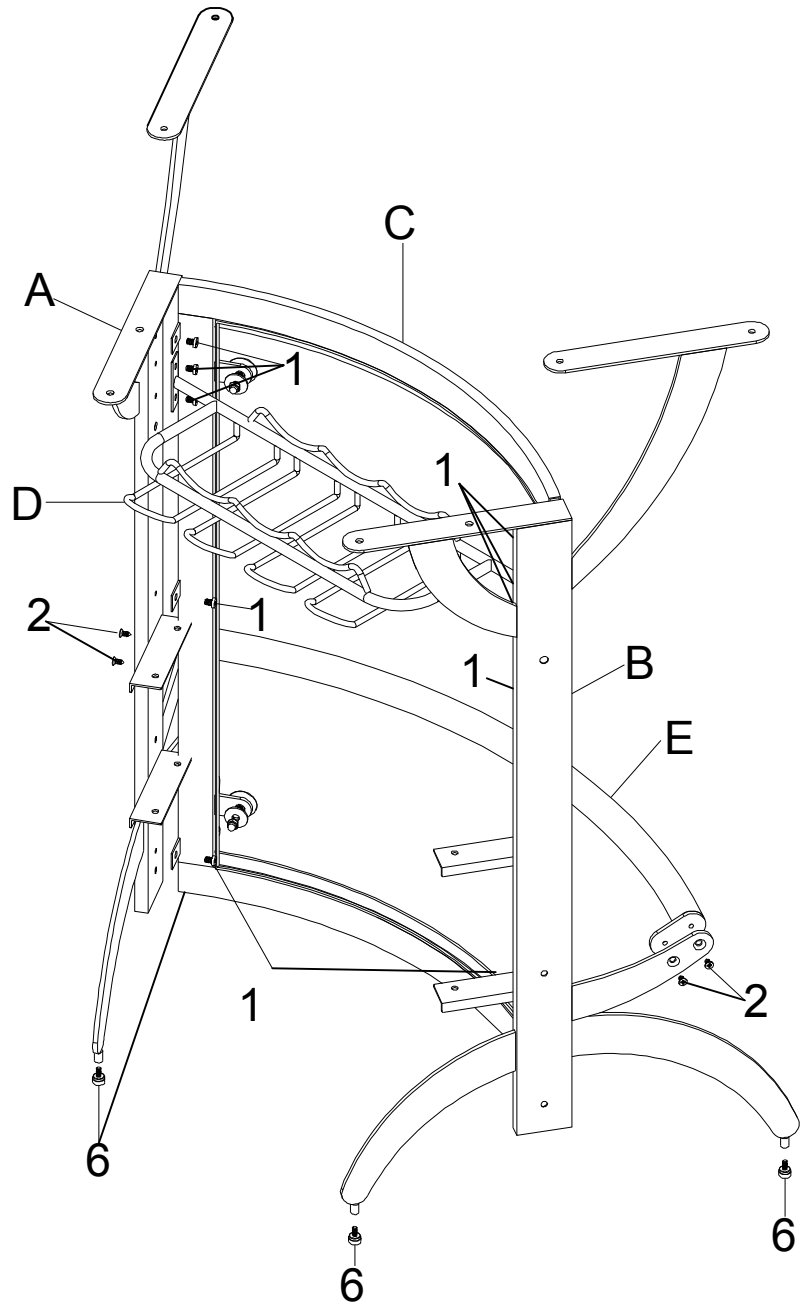


1PC

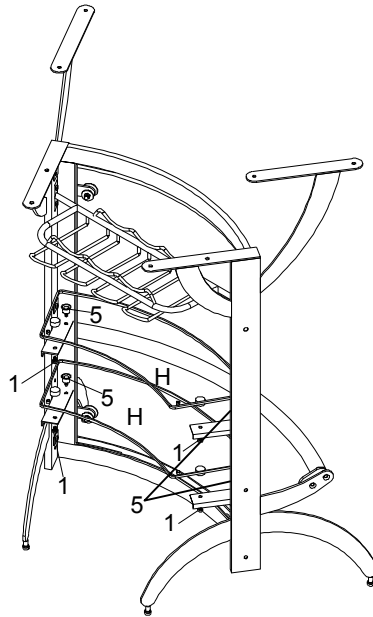
ITEM: 100135 ASSEMBLY INSTRUCTIONS



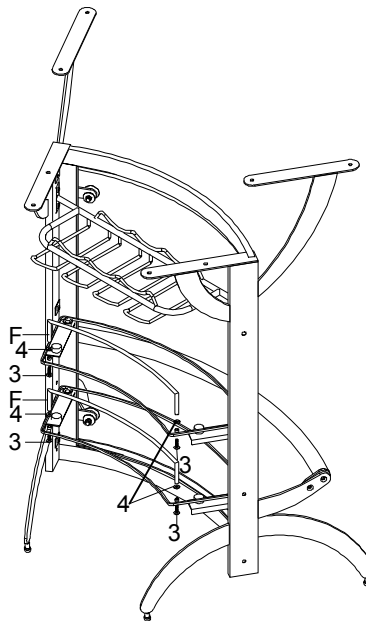
STEP 1 Do not tighten until each step is completed or instructed.



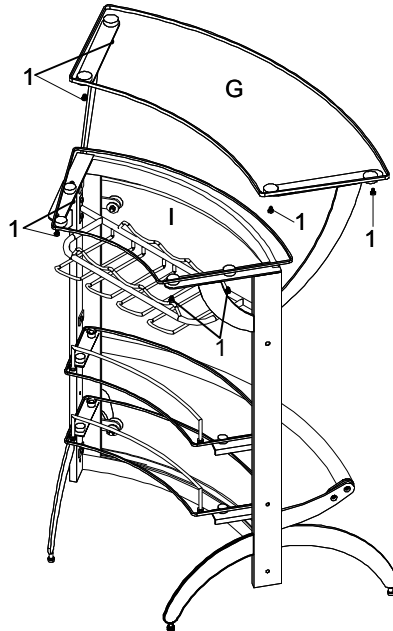
ITEM: 100135
ASSEMBLY INSTRUCTIONS
STEP 2



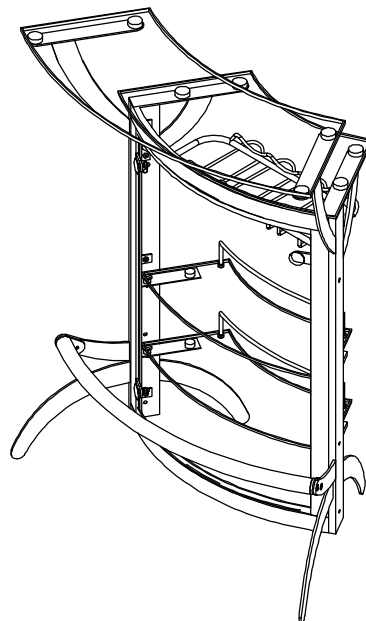
STEP 3



ITEM: 100135
ASSEMBLY INSTRUCTIONS
STEP 4



STEP 5
COMPLETE



ITEM: 100135
ASSEMBLY INSTRUCTIONS
STEP 6

