



*ASSEMBLY INSTRUCTIONS  
COASTER FINE FURNITURE*



*Fine Furniture for every stage of life*

**506592  
LOVESEAT**

REVISION 0: 05/12/2017  
REVISION 1: 05/08/2019  
REVISION 2: 11/16/2019

[COASTERFURNITURE.COM](http://COASTERFURNITURE.COM)

ITEM: 506592

## ASSEMBLY INSTRUCTIONS

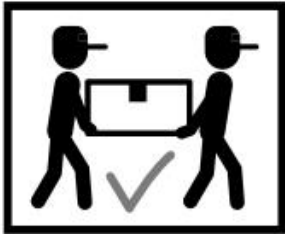
### ASSEMBLY TIPS:

1. Remove hardware from box and sort by size.
2. Please check to see that all hardware and parts are present prior to start of assembly.
3. Please follow attached instructions in the same sequence as numbered to assure fast & easy assembly.



### WARNING!

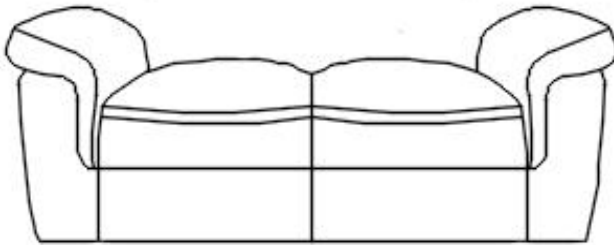
1. Don't attempt to repair or modify parts that are broken or defective. Please contact the store immediately.
2. This product is for home use only and not intended for commercial establishments.



ASSEMBLY TIME 15 MINUTES

## PARTS IDENTIFICATION

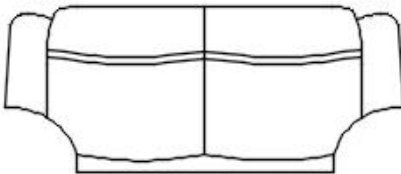
A



BASE

1PC

B



BACK

1PC

C



LEG

4PCS

## Z HARDWARE PACKAGE

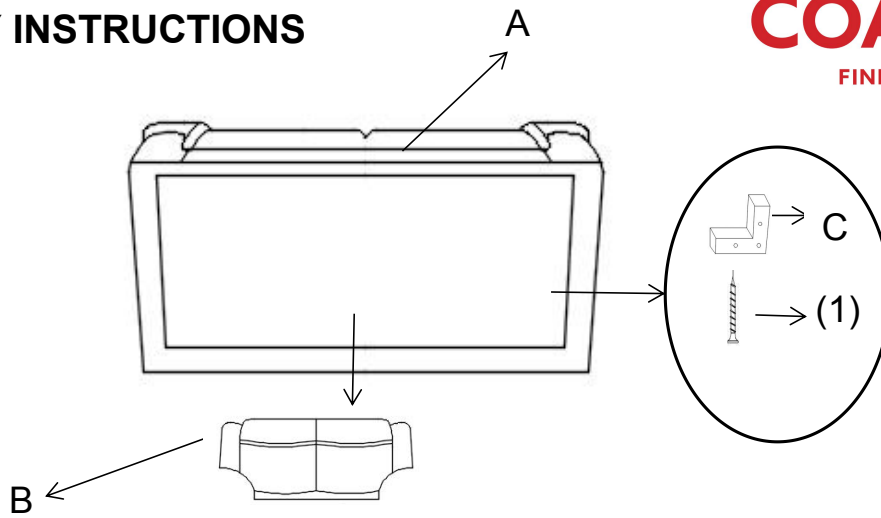
NO	DESCRIPTION	FIGURE	Q'TY
(1)	SCREW φ5MM*50MM		12PCS

ITEM: 506592

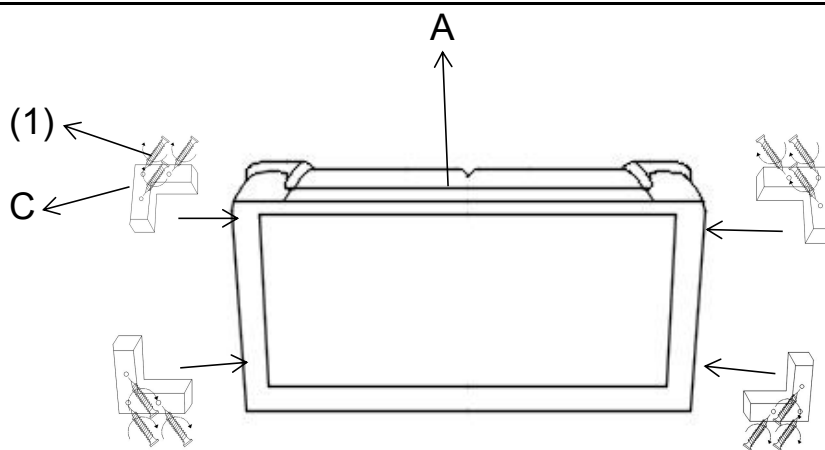
ASSEMBLY INSTRUCTIONS



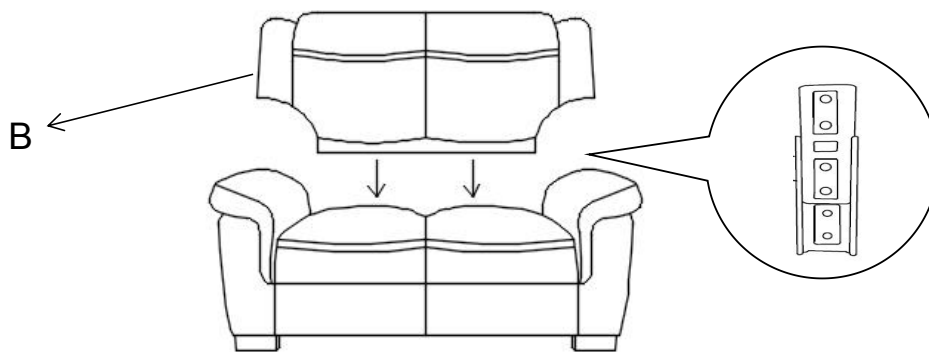
STEP 1



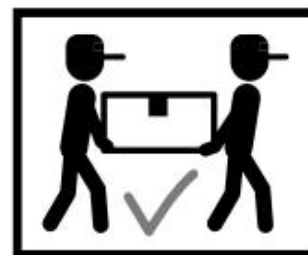
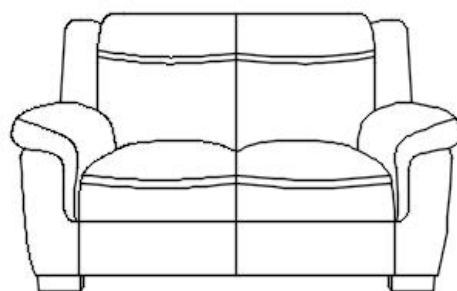
STEP 2



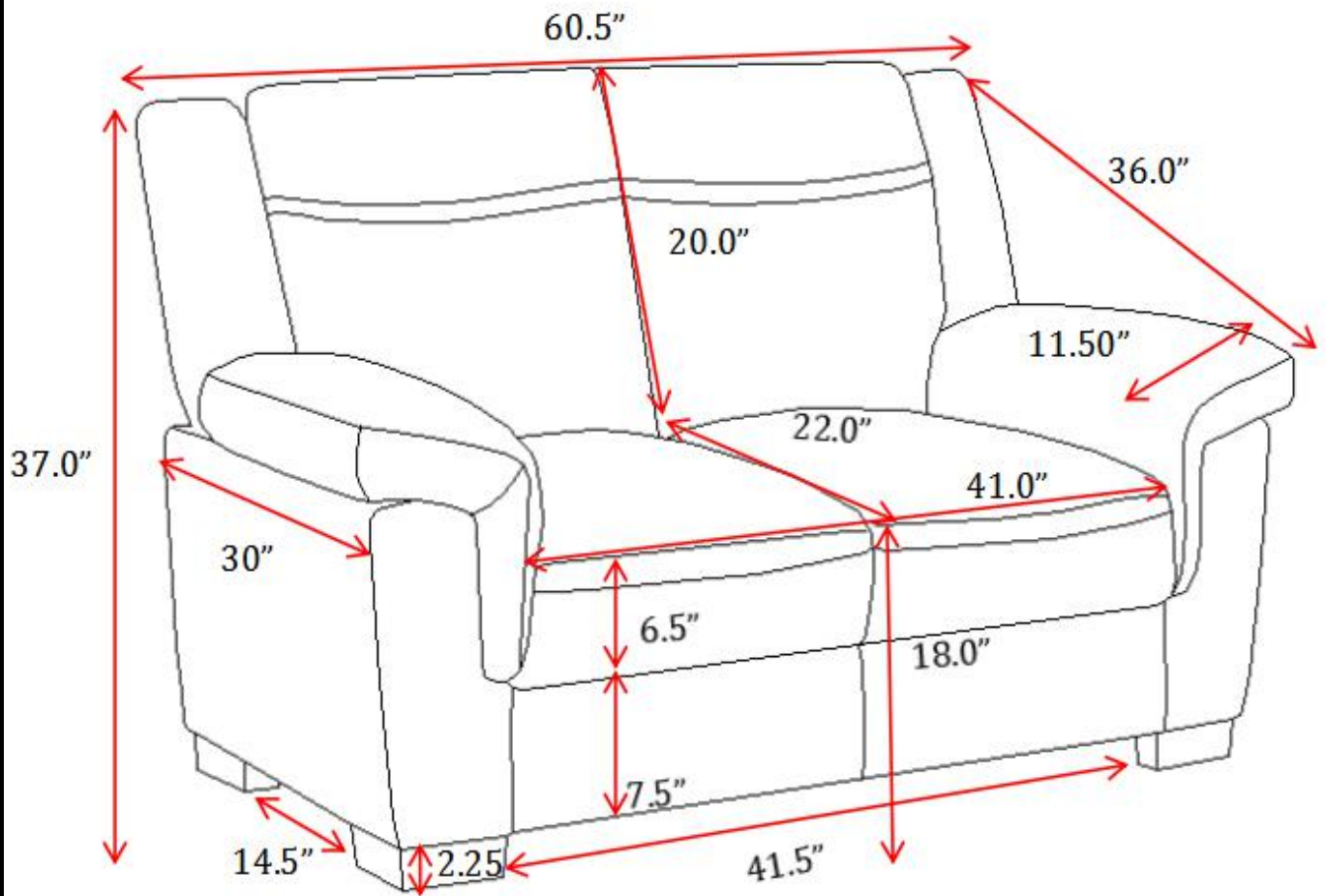
STEP 3



STEP 4



ITEM: 506592



**Note** : Dimension tolerance  $\pm 5\%$

COASTERFURNITURE.COM