



*ASSEMBLY INSTRUCTIONS
COASTER FINE FURNITURE*



Fine Furniture for every stage of life

192061
Dining Table

REVISION 0 : 05/25/2018

REVISION 1 : 06/17/2019

ITEM: 192061



ASSEMBLY INSTRUCTIONS

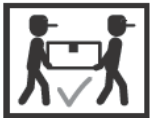
ASSEMBLY TIPS:

1. Remove hardware from box and sort by size.
2. Please check to see that all hardware and parts are present prior start of assembly.
3. Please follow attached instructions in the same sequence as numbered to assure fast & easy assembly.



WARNING!

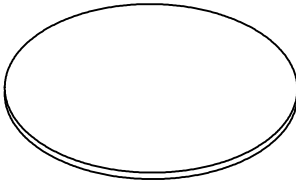
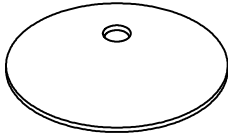
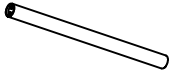
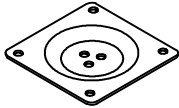
1. Don't attempt to repair or modify parts that are broken or defective .Please contact the store immediately.
2. This product is for home use only and not intended for commercial establishment.












ASSEMBLY TIME

15 MINUTES

PARTS IDENTIFICATION

A TOP		1PC	C BASE		1PC
B POST		1PC	D MOUNTING PLATE		1PC

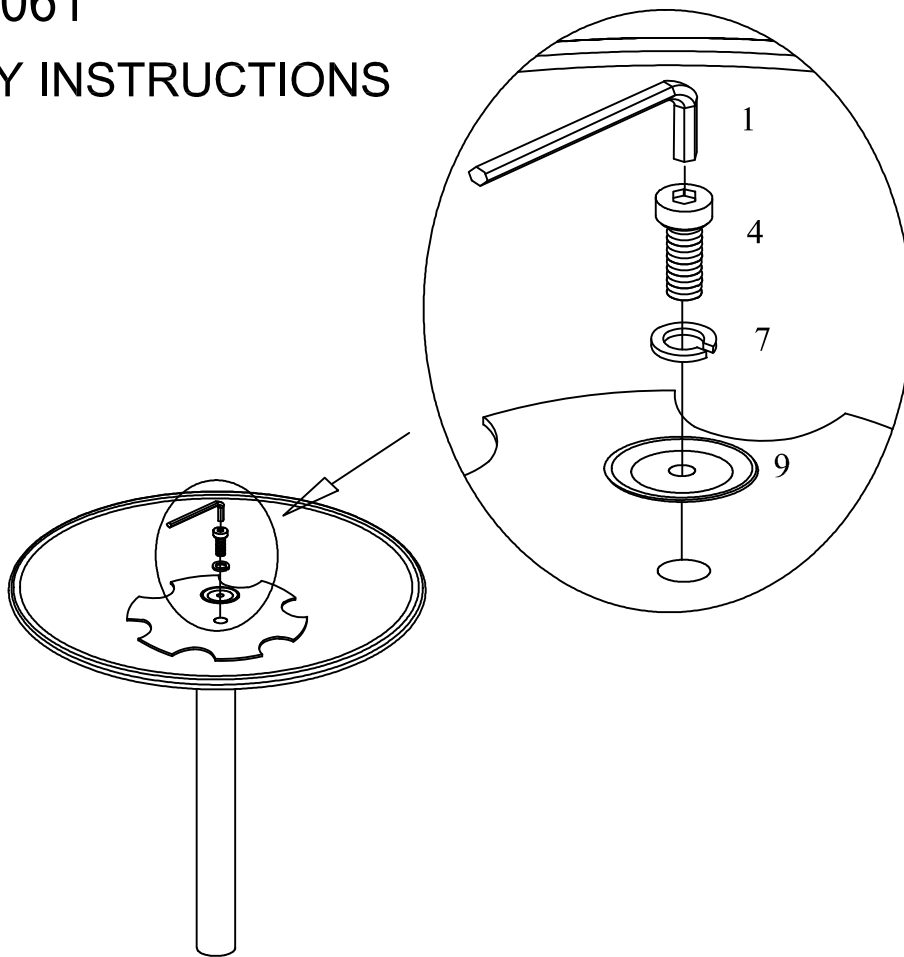
HARDWARE IDENTIFICATION

Z	HARDWARE PACK		
1	ALLEN WRENCH M10		1PC
2	ALLEN WRENCH M6		1PC
3	ALLEN WRENCH M5		1PC
4	BOLT M12" *80MM		1PC
5	BOLT M8" *30MM		3PCS
6	BOLT Ø5/16" *15MM		4PCS
7	LOCK WASHER Ø17 *Ø 13		1PC
8	FLAT WASHER Ø17 *Ø8.3		7PCS
9	WASHER Ø5/16 *15MM		1PC

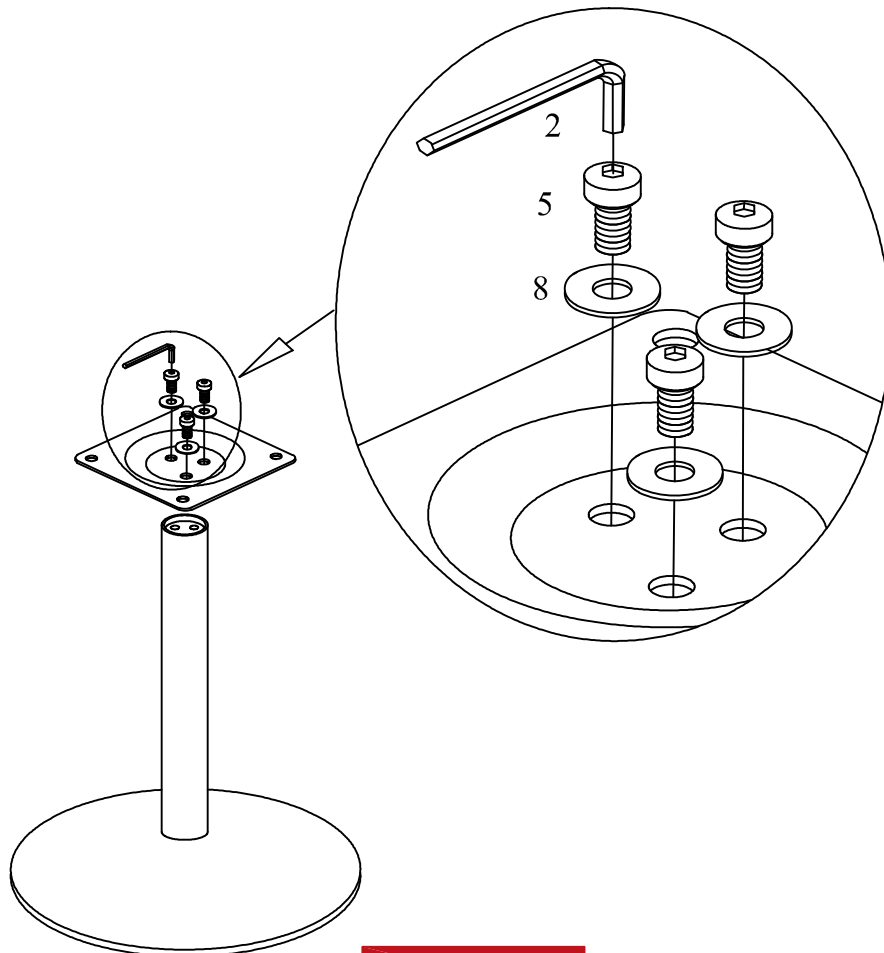
ITEM: 192061

ASSEMBLY INSTRUCTIONS

STEP 1



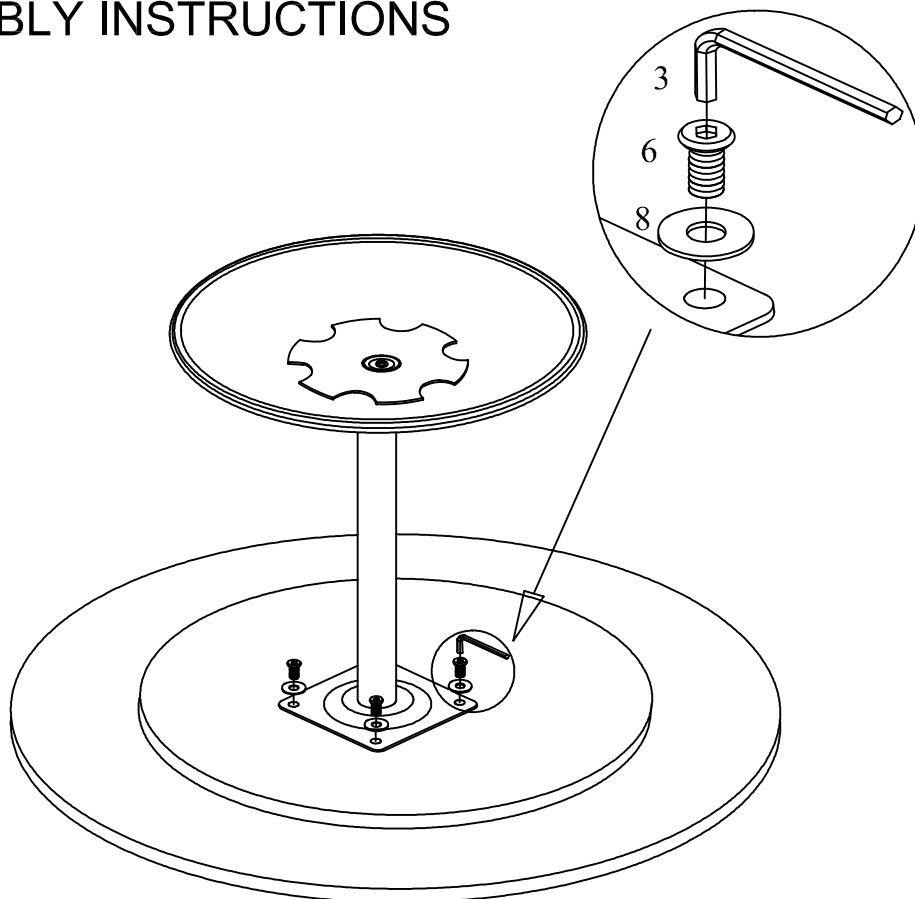
STEP 2



ITEM: 192061

ASSEMBLY INSTRUCTIONS

STEP 3



STEP 4

