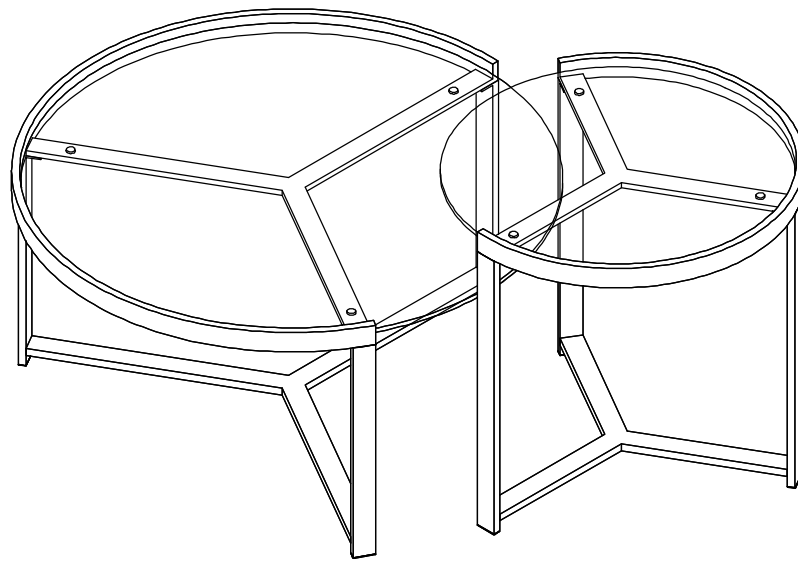


ASSEMBLY INSTRUCTIONS
COASTER FINE FURNITURE



Fine Furniture for every stage of life

930251
2PC NESTING TABLE

REVISION 0 : 12/04/2019

PAGE 1 OF 9

COASTERFURNITURE.COM

ITEM:930251



ASSEMBLY INSTRUCTIONS

ASSEMBLY TIPS:

1. Remove hardware from box and sort by size.
2. Please check to see that all hardware and parts are present prior to start of assembly.
3. Please follow attached instructions in the same sequence as numbered to assure fast & easy assembly.



WARNING!

1. Don't attempt to repair or modify parts that are broken or defective. Please contact the store immediately.
2. This product is for home use only and not intended for commercial establishments.



ASSEMBLY TIME 35 MINUTES

PARTS IDENTIFICATION

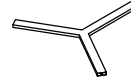
A	LARGE GLASS		1PC
B	LARGE TOP FRAME		1PC
C	LARGE BOTTOM FRAME		1PC
D	LARGE LEG		3PCS
E	SMALL GLASS		1PC
F	SMALL TOP FRAME		1PC

ITEM:930251 ASSEMBLY INSTRUCTIONS



PARTS IDENTIFICATION

G SMALL BOTTOM FRAME 1PC



H SMALL LEG 3PCS



HARDWARE IDENTIFICATION

1 BOLT
(1/4" x 10mm SR)



24PCS

3 CAP
(13 x 38mm BLK)



6PCS

2 SUCTION CUP
(ϕ 12mm)



6PCS

4 ALLEN WRENCH
(4mm)

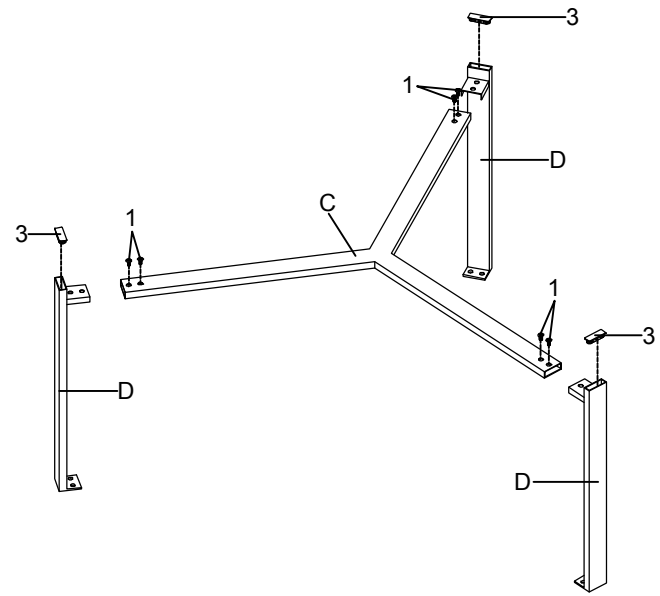


1PC

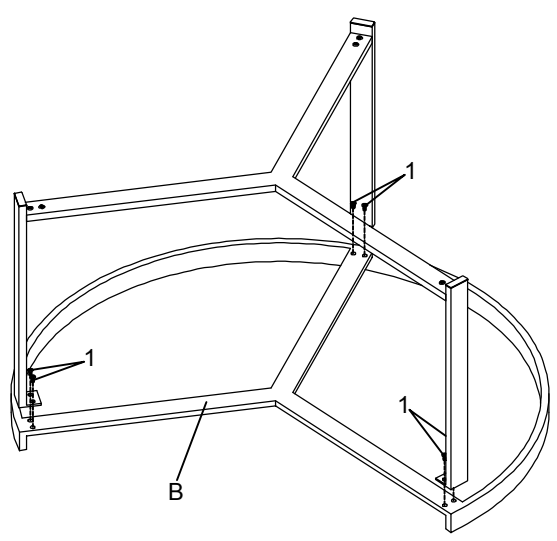
ITEM: 930251 ASSEMBLY INSTRUCTIONS



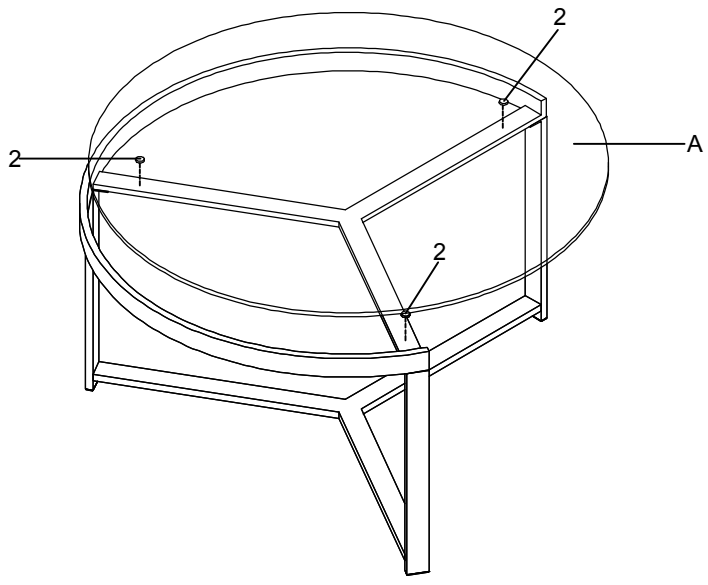
STEP 1 Do not tighten until each step is completed or instructed.



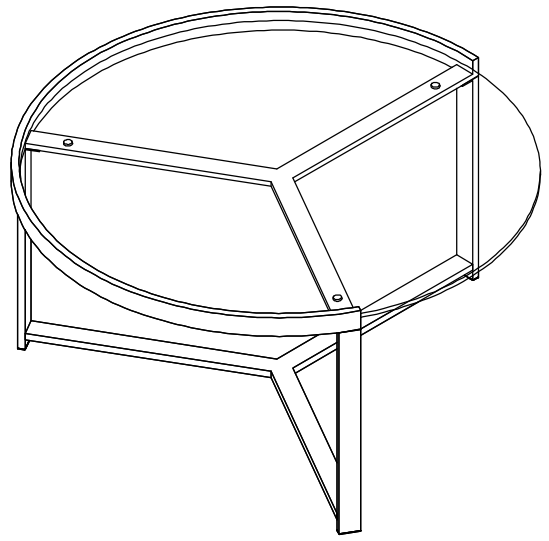
STEP 2



ITEM: 930251
ASSEMBLY INSTRUCTIONS
STEP 3



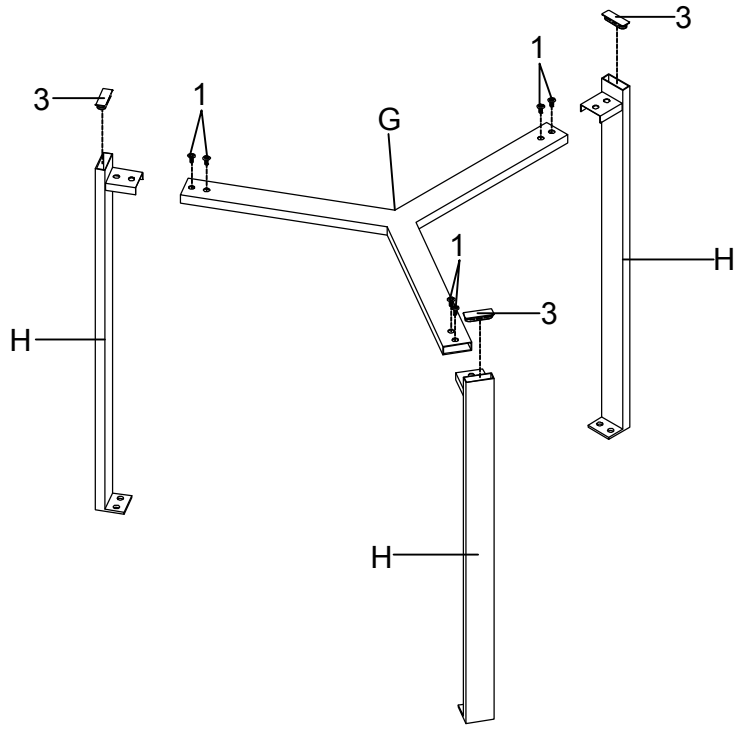
STEP 4
COMPLETE



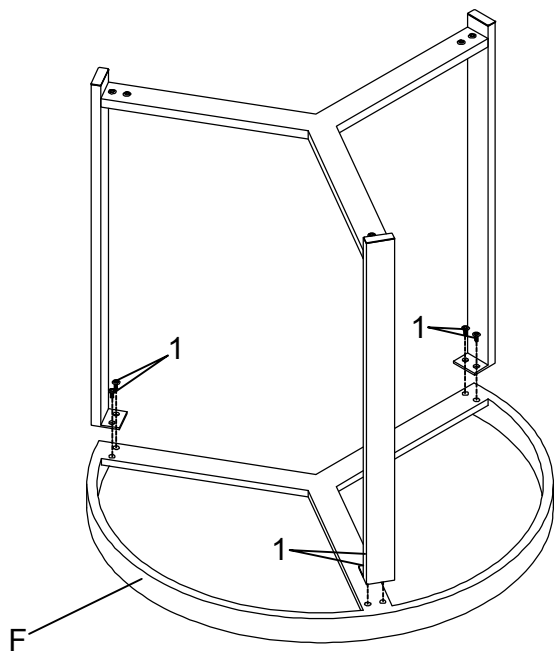
ITEM: 930251
ASSEMBLY INSTRUCTIONS



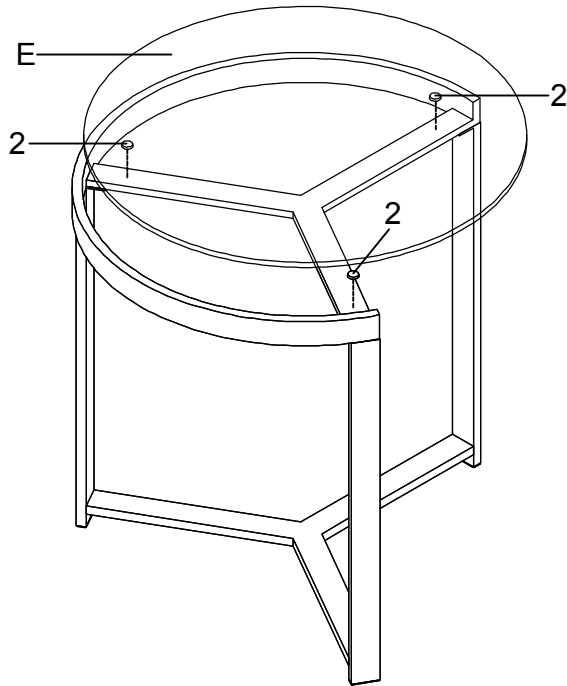
STEP 5



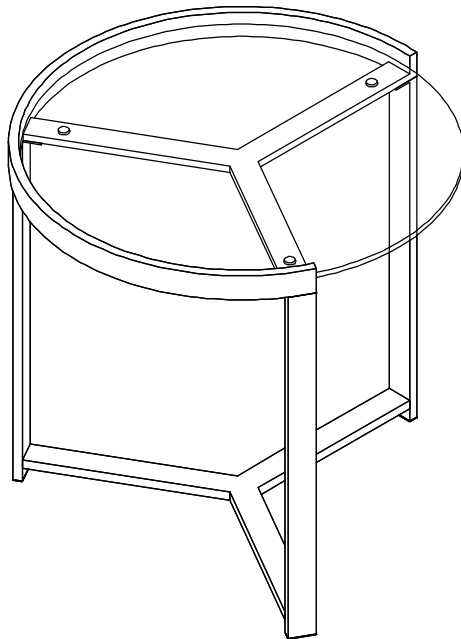
STEP 6



ITEM: 930251
ASSEMBLY INSTRUCTIONS
STEP 7



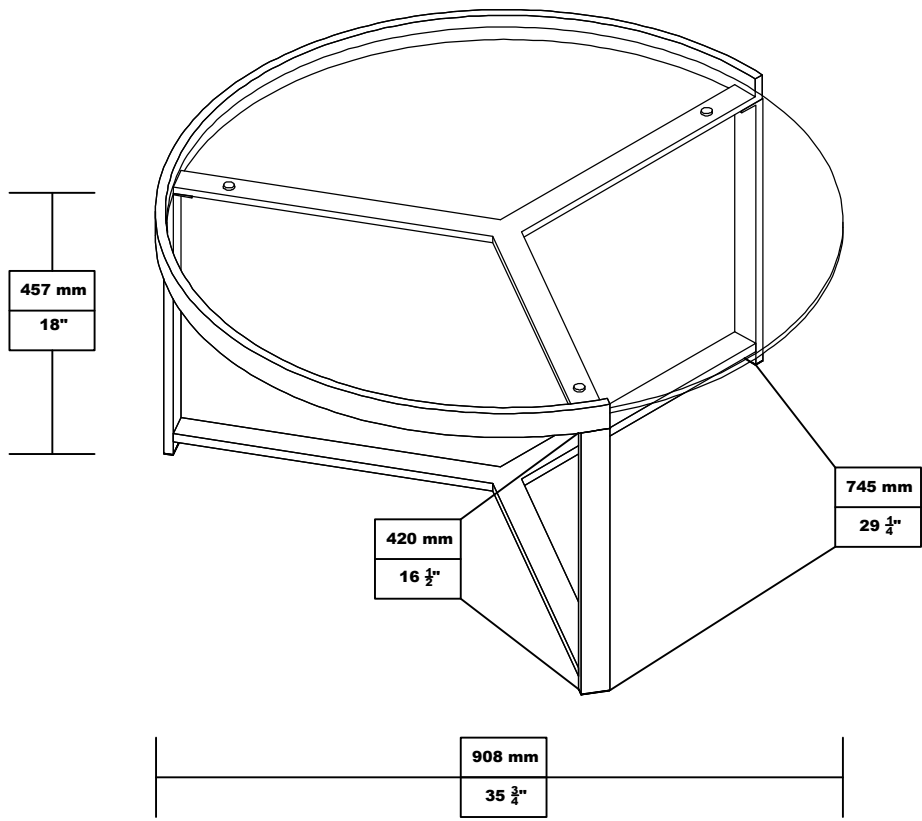
STEP 8
COMPLETE



ITEM: 930251 ASSEMBLY INSTRUCTIONS



Product Size : 908 DIA X 457 H (MM)
Product Size : 35 $\frac{3}{4}$" DIA X 18"

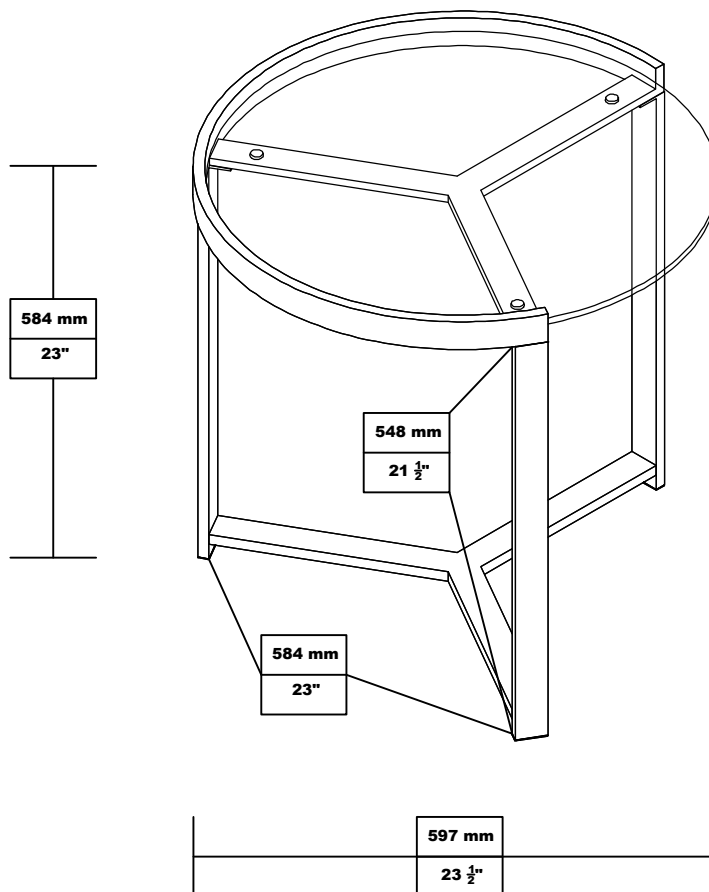


Note : Dimension tolerance $\pm 5\%$

ITEM:930251 ASSEMBLY INSTRUCTIONS



Product Size : 597 DIA X 584 H (MM)
Product Size : 23 1/2" DIA X 23"



Note : Dimension tolerance $\pm 5\%$